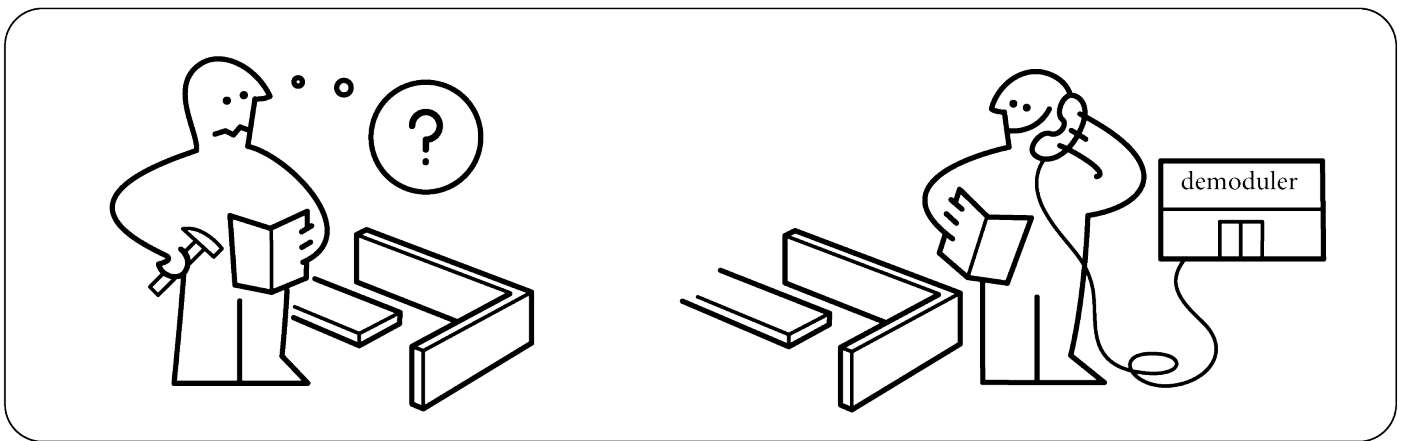
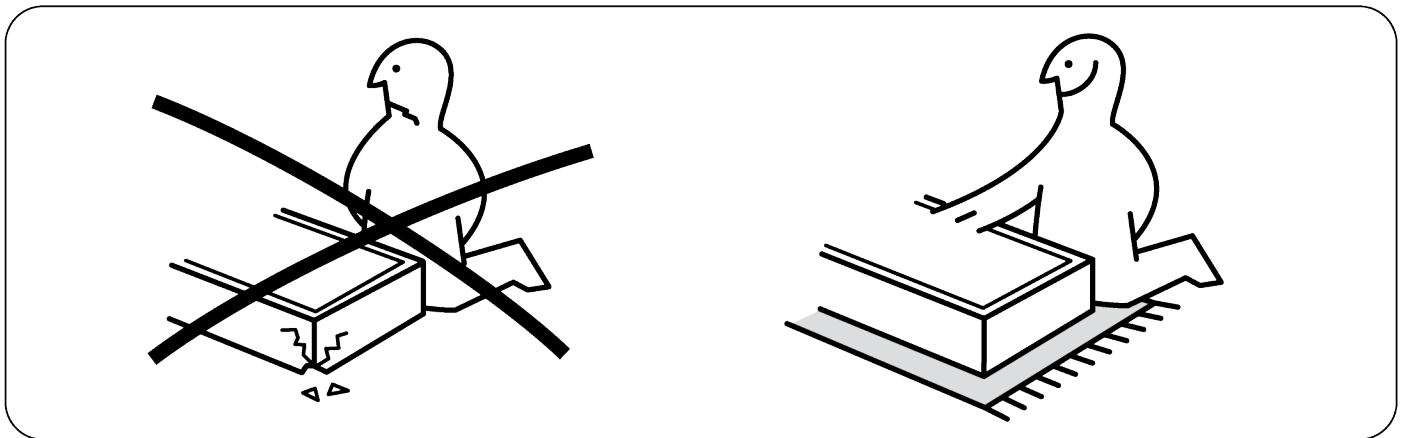
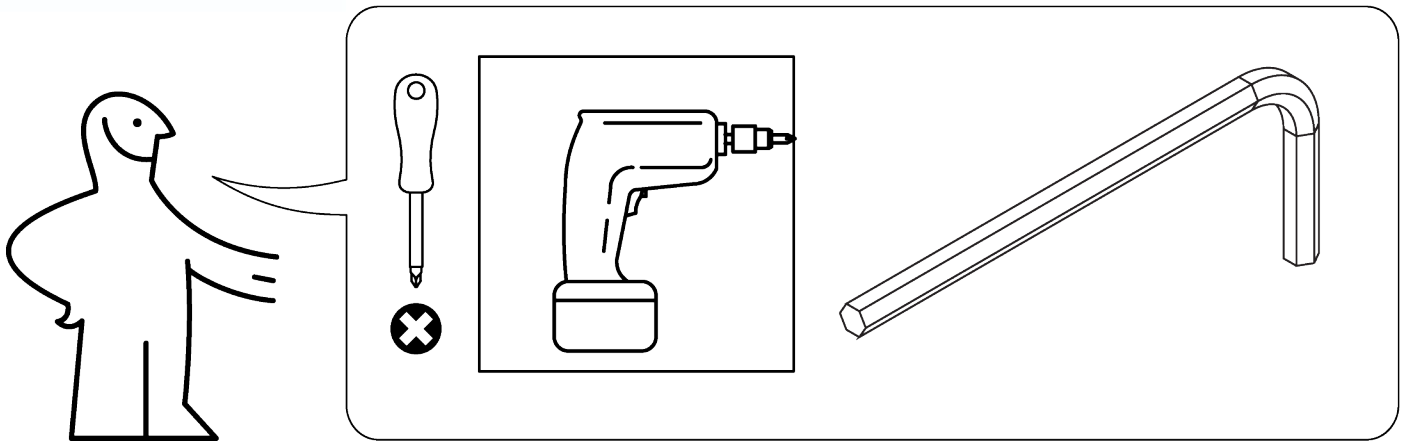
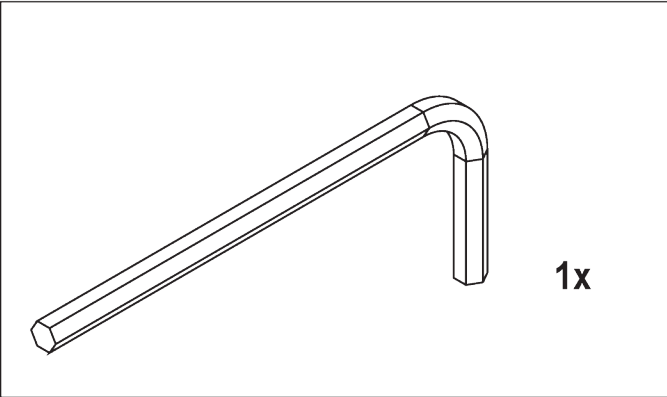
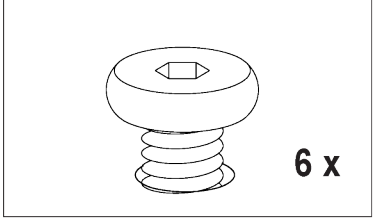



GP028-0082,2





ACCESSORY LIST

 1x	 6 x
	 10 x

