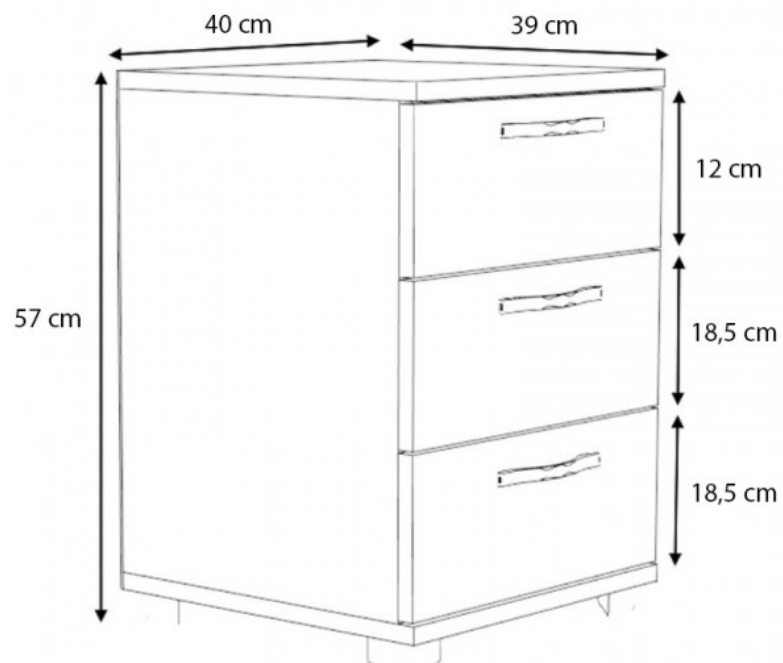
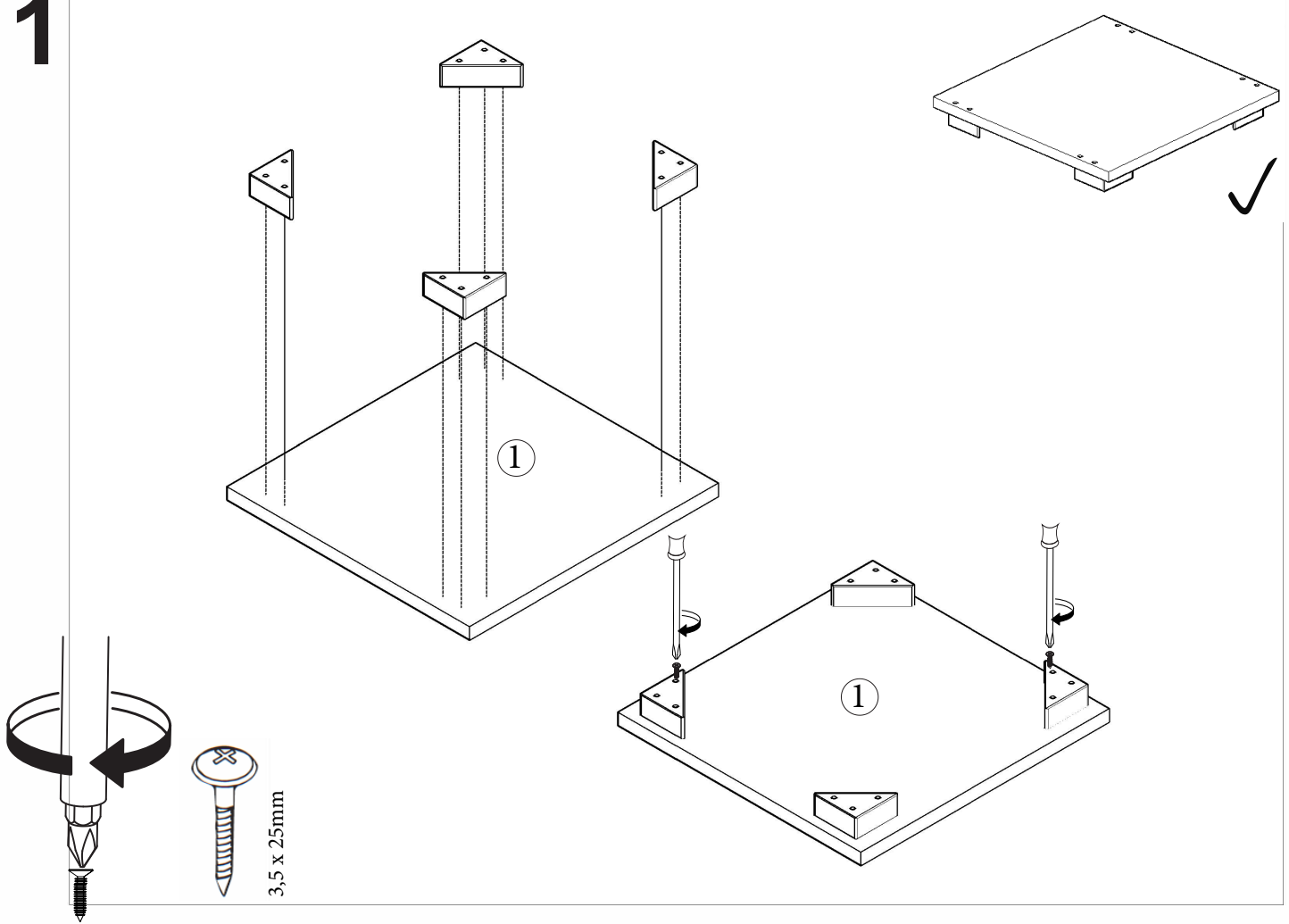




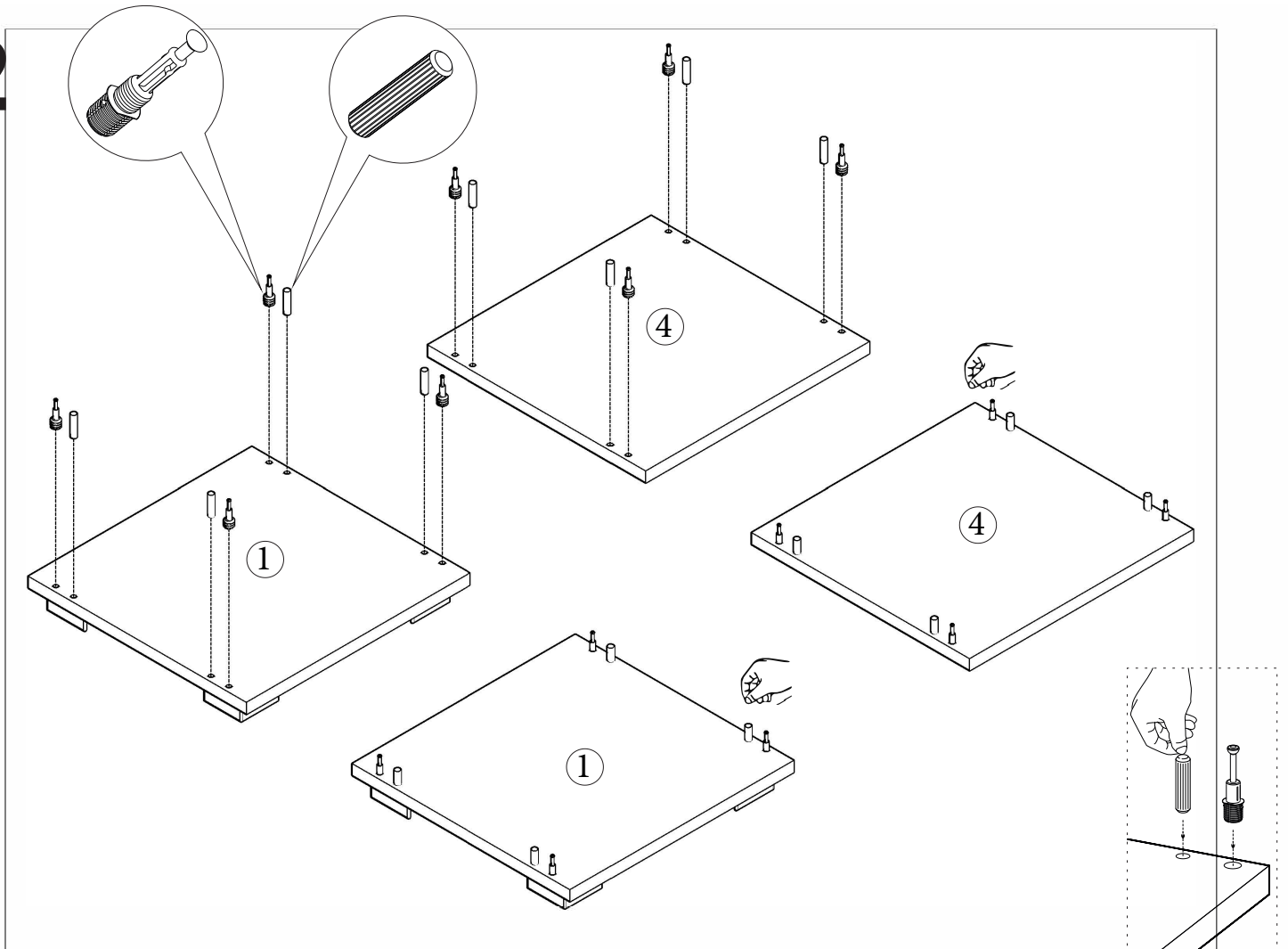
**GP028-0117,2**



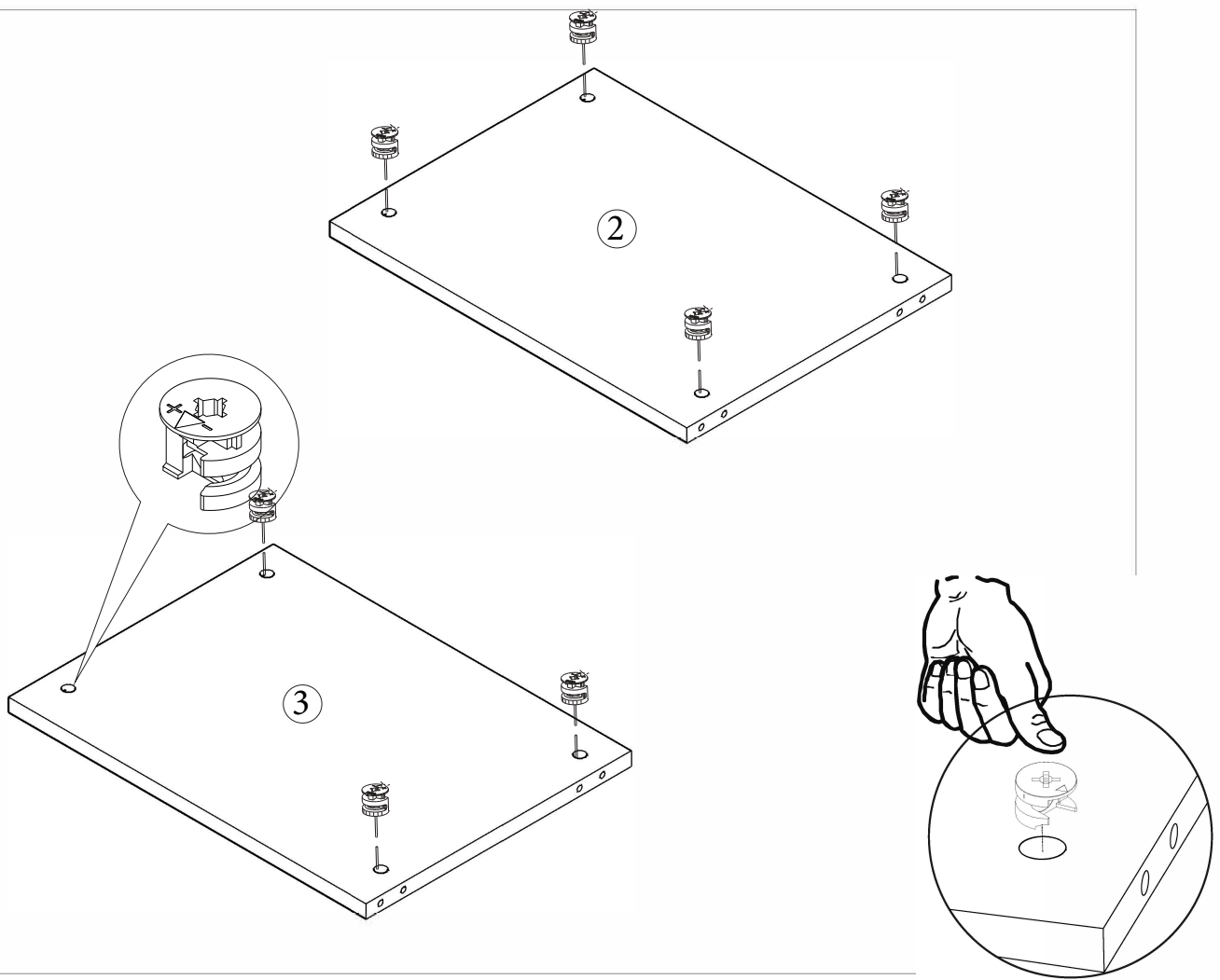
# 1



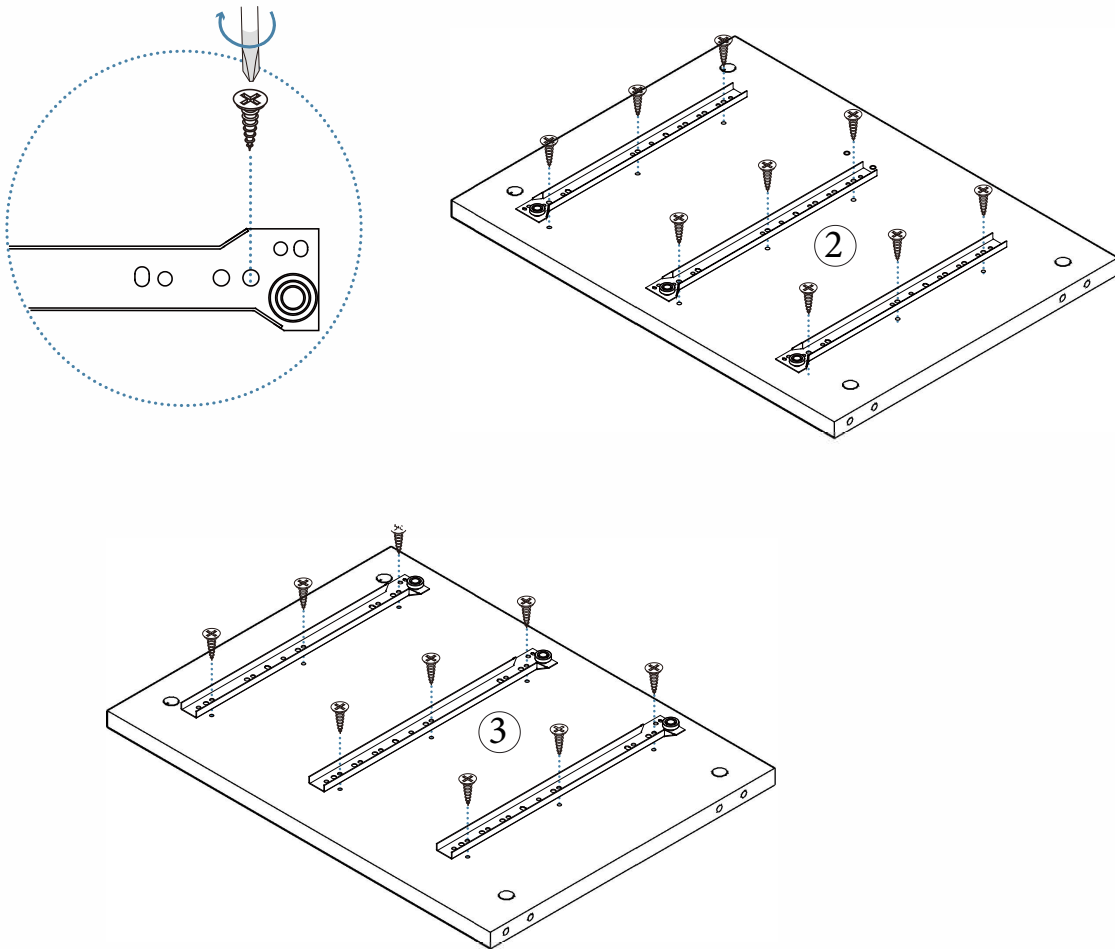
# 2



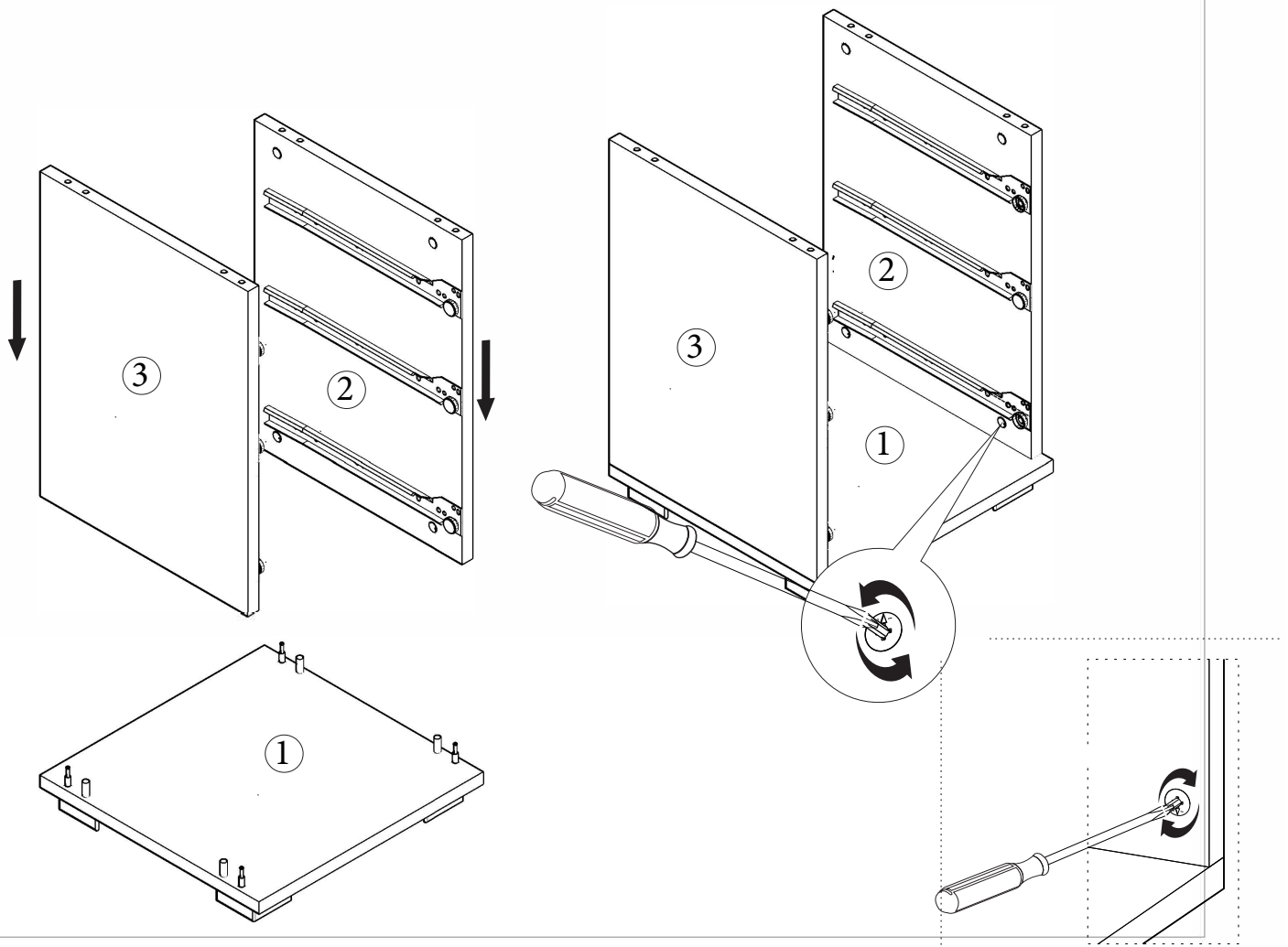
3



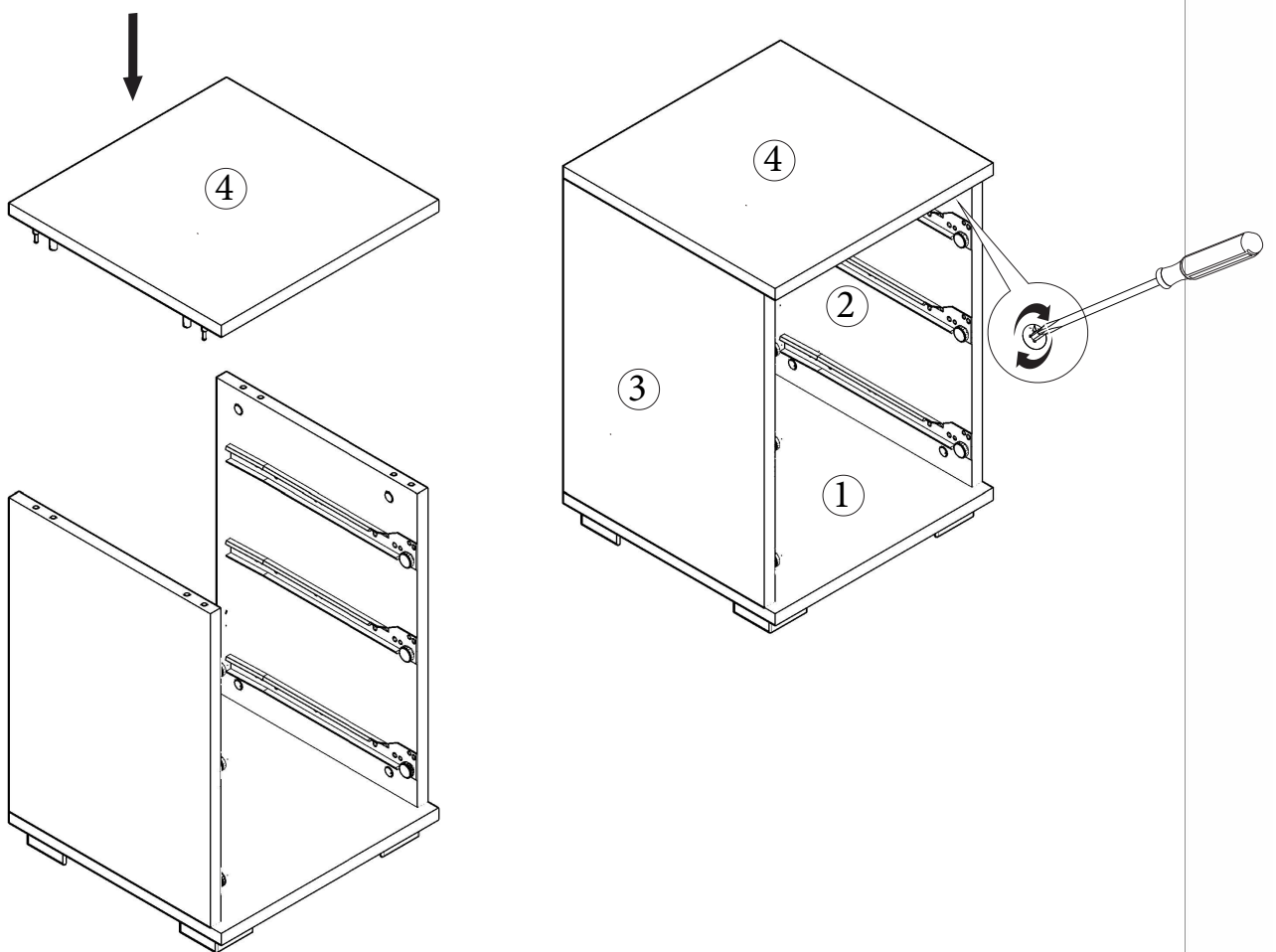
4



# 5



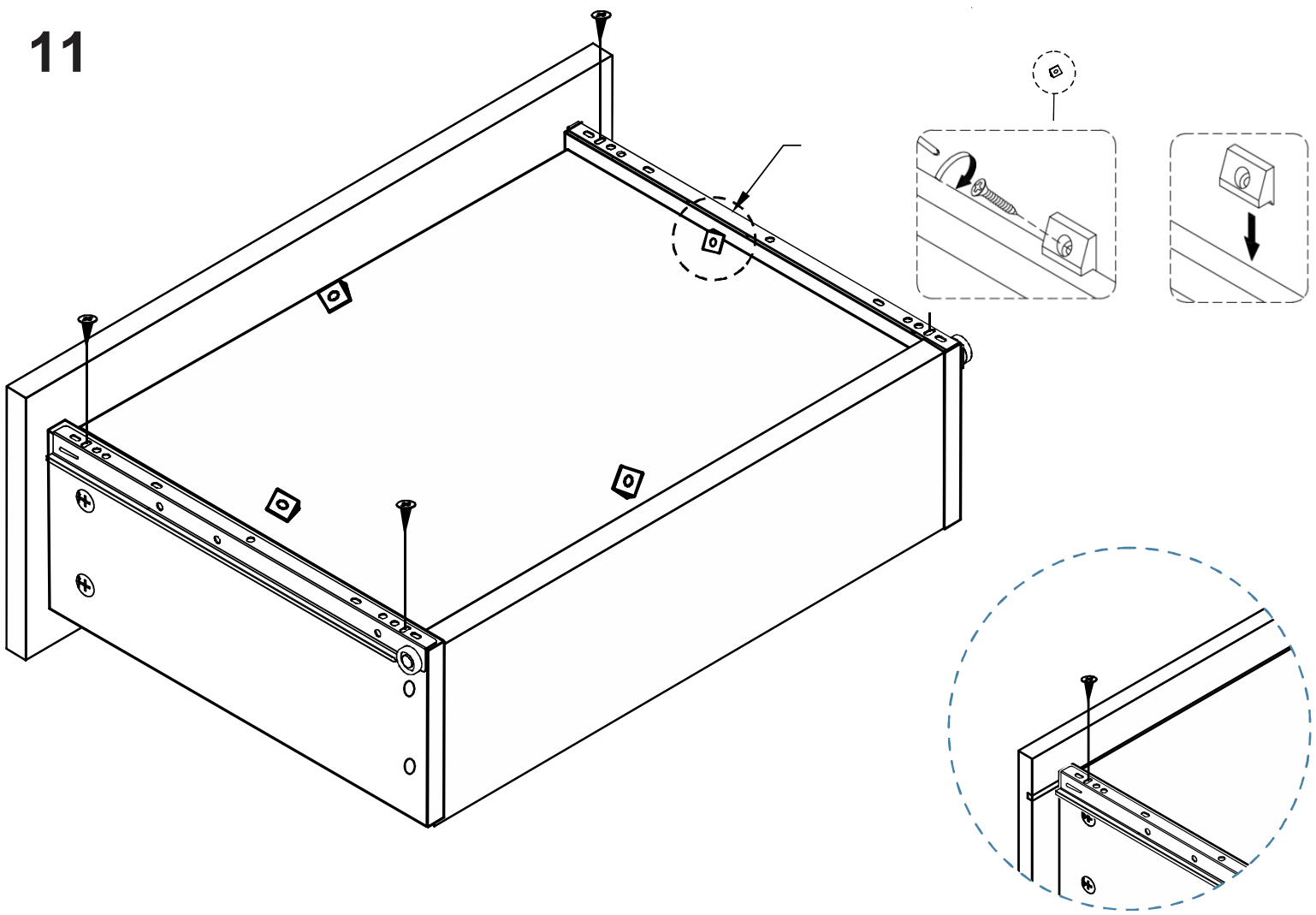
# 6



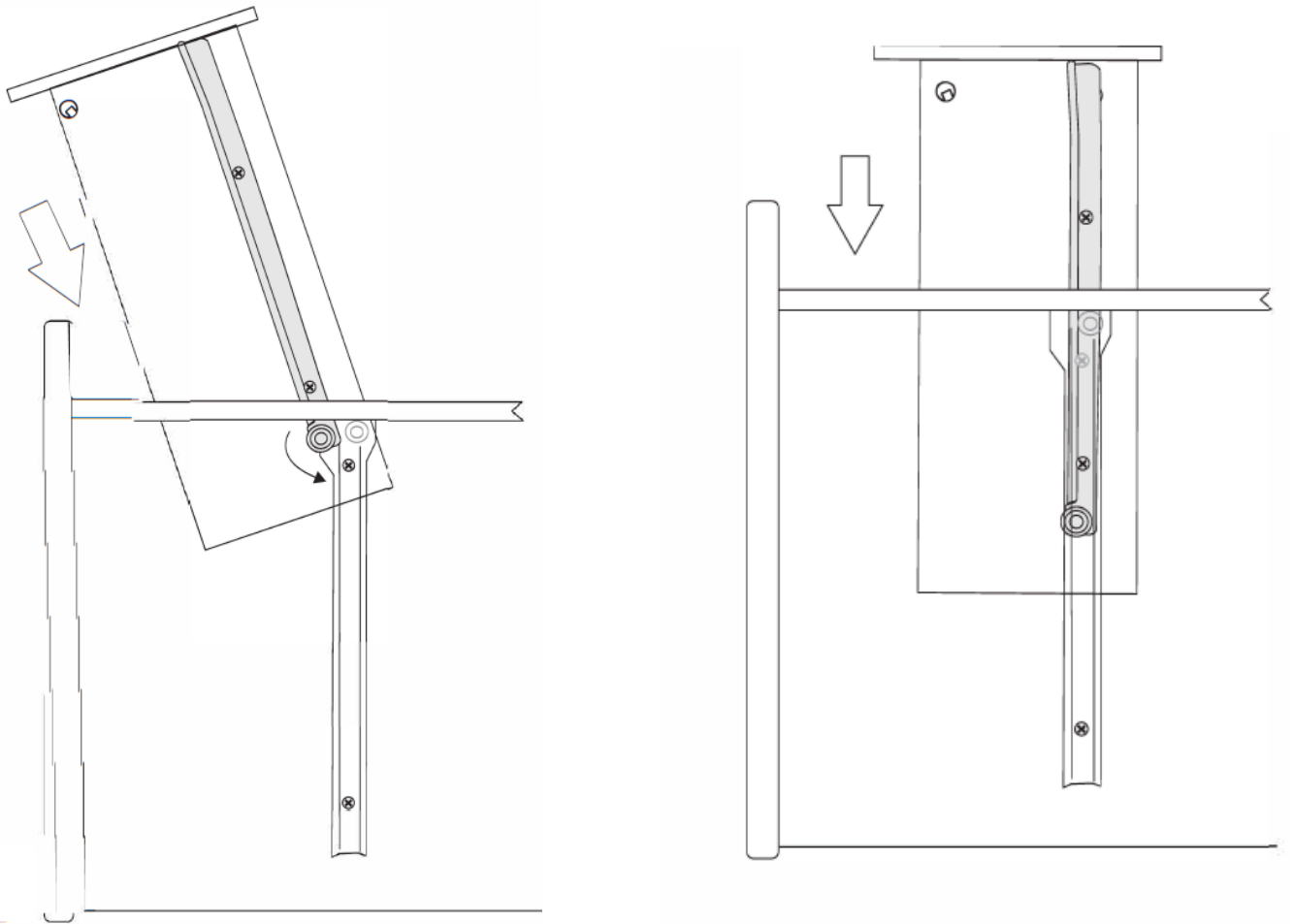




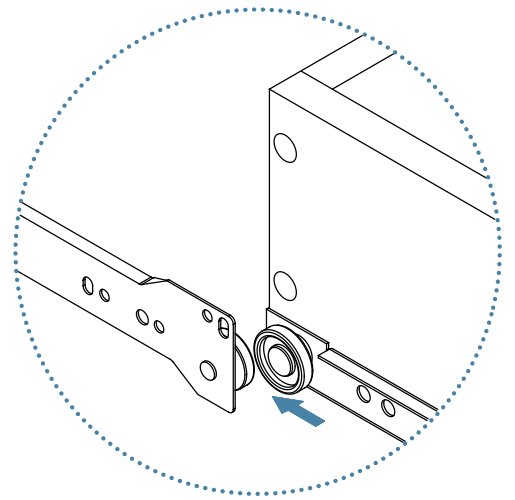
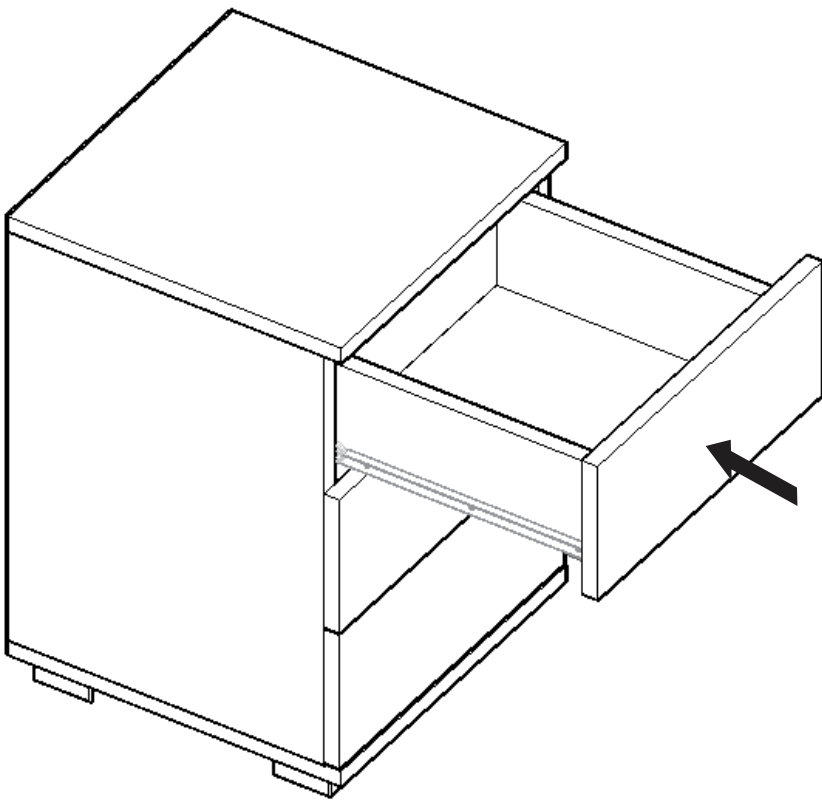
11



12



13



Carefully insert the drawers into the unit by gently guiding the runners into the tracks.