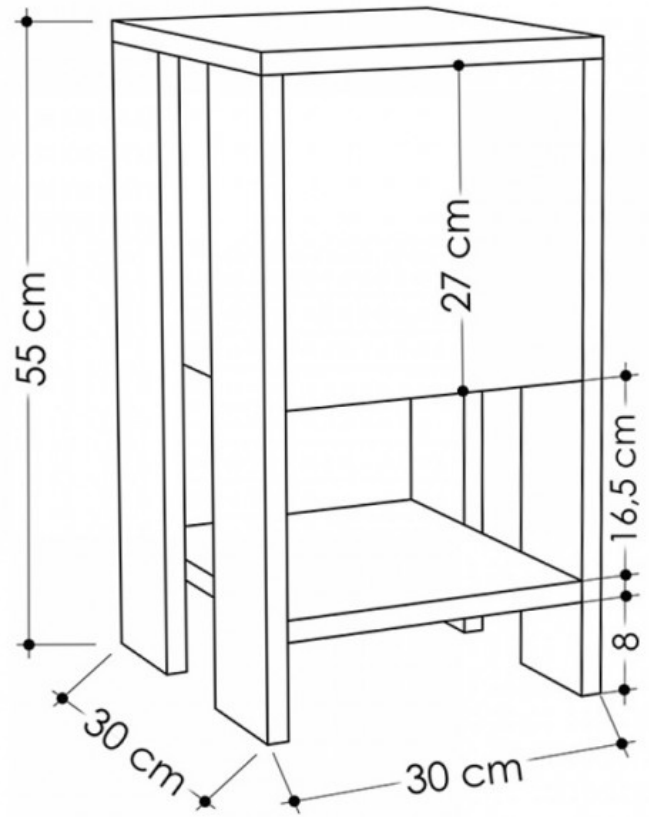
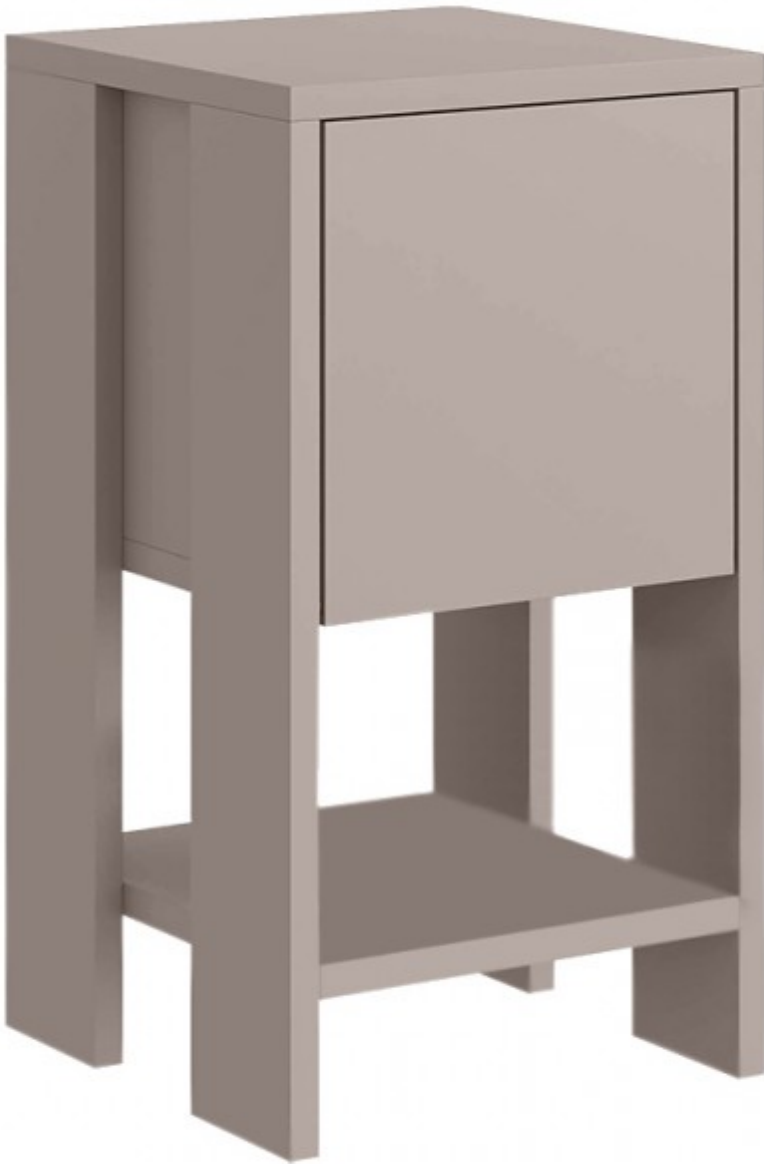
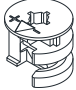

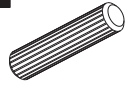
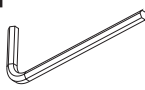
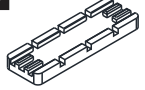


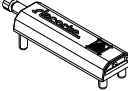
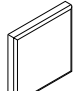
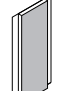
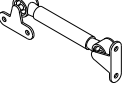


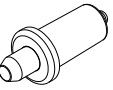
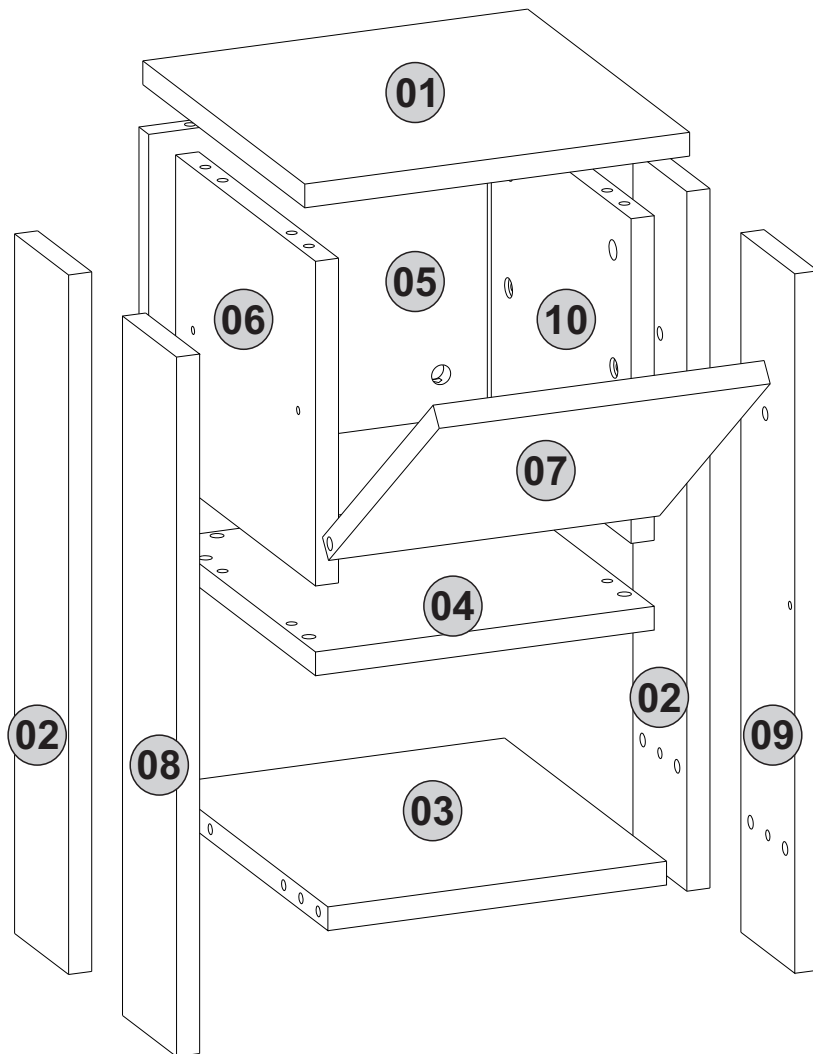




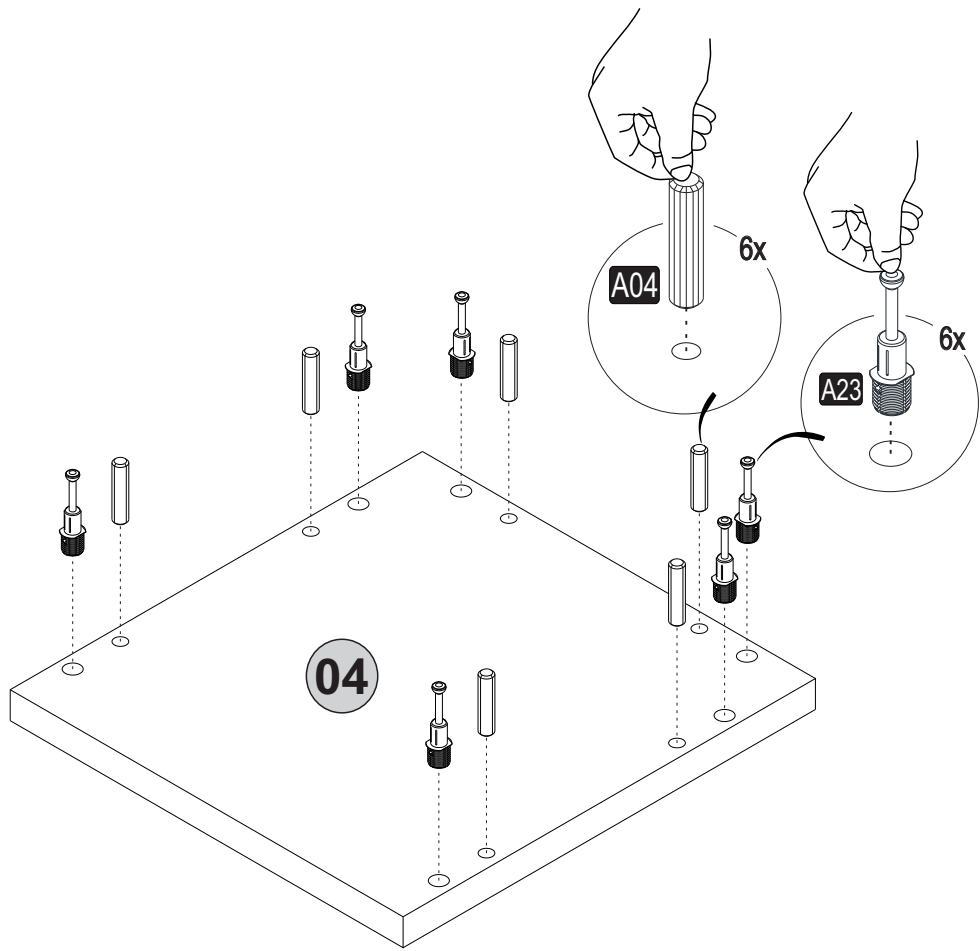
**GP037-0010,4**



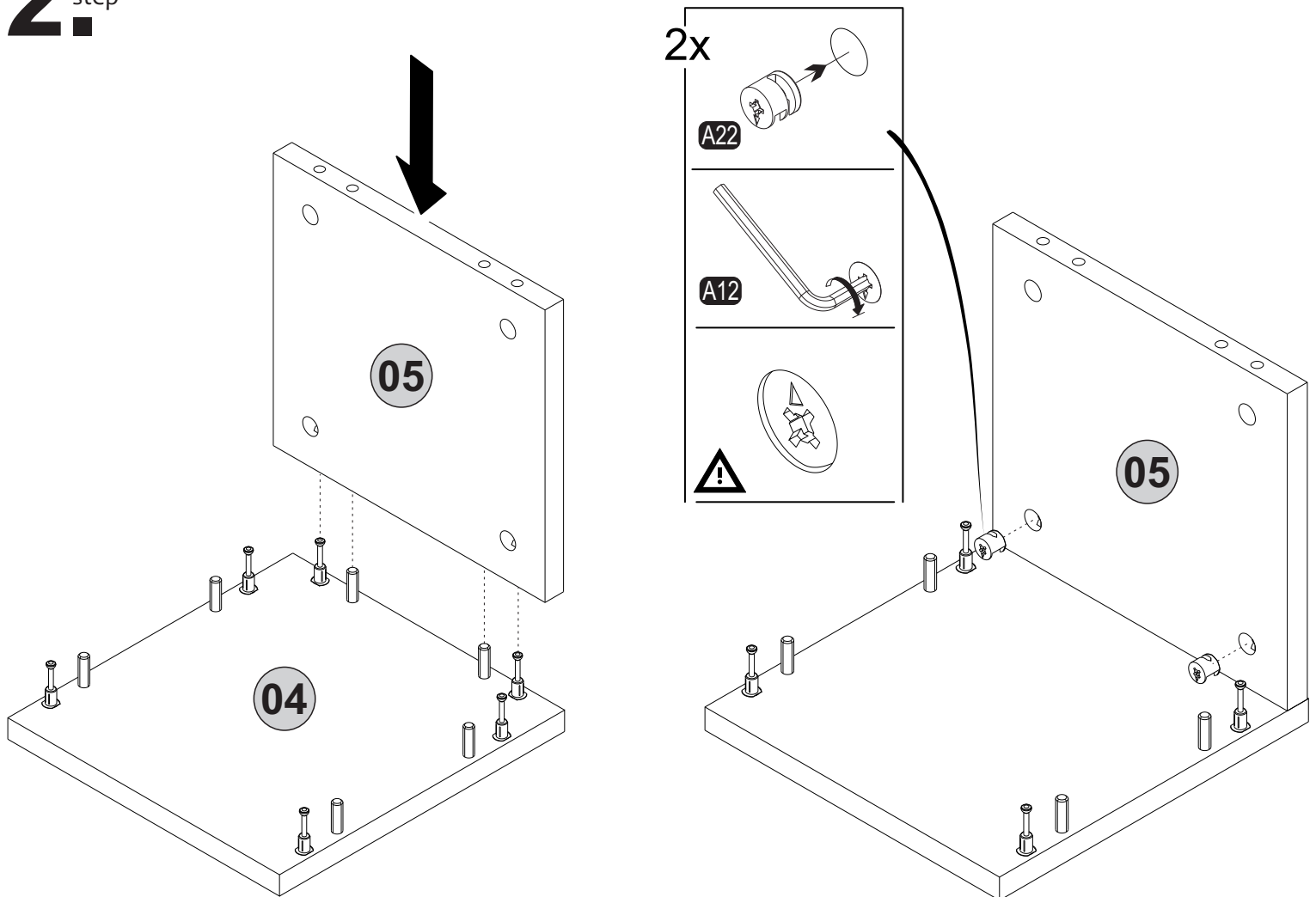
<b>A22</b> Minifix k18  20x	<b>A23</b> Minifix M10  20x	<b>A04</b> Ø8  16x	<b>A12</b> Allen  1x	<b>A08</b> 5mm  4x
<b>B03</b> 25 mm  4x	<b>A69</b> P.D.  4x	<b>A80</b> bas ac  1x	<b>A82</b> bas ac k.  1x	<b>Y03</b> Ctpb  4x
<b>Z67</b> DKP  1x	<b>A18</b> 3,5x18  4x	<b>A06</b> 18mm  C1-20x	<b>A65</b> Mil Mentese  2x	



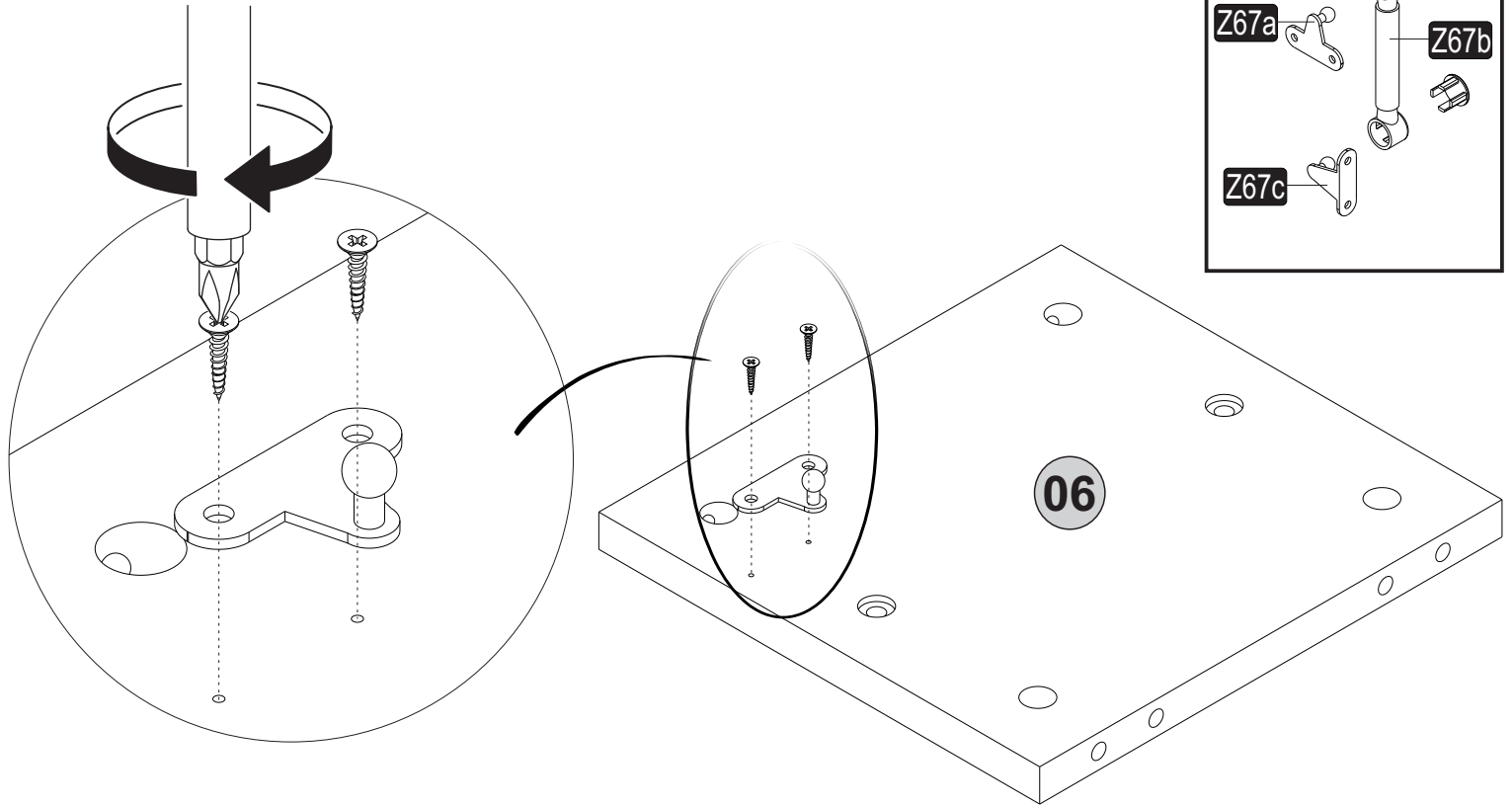
# 1. step



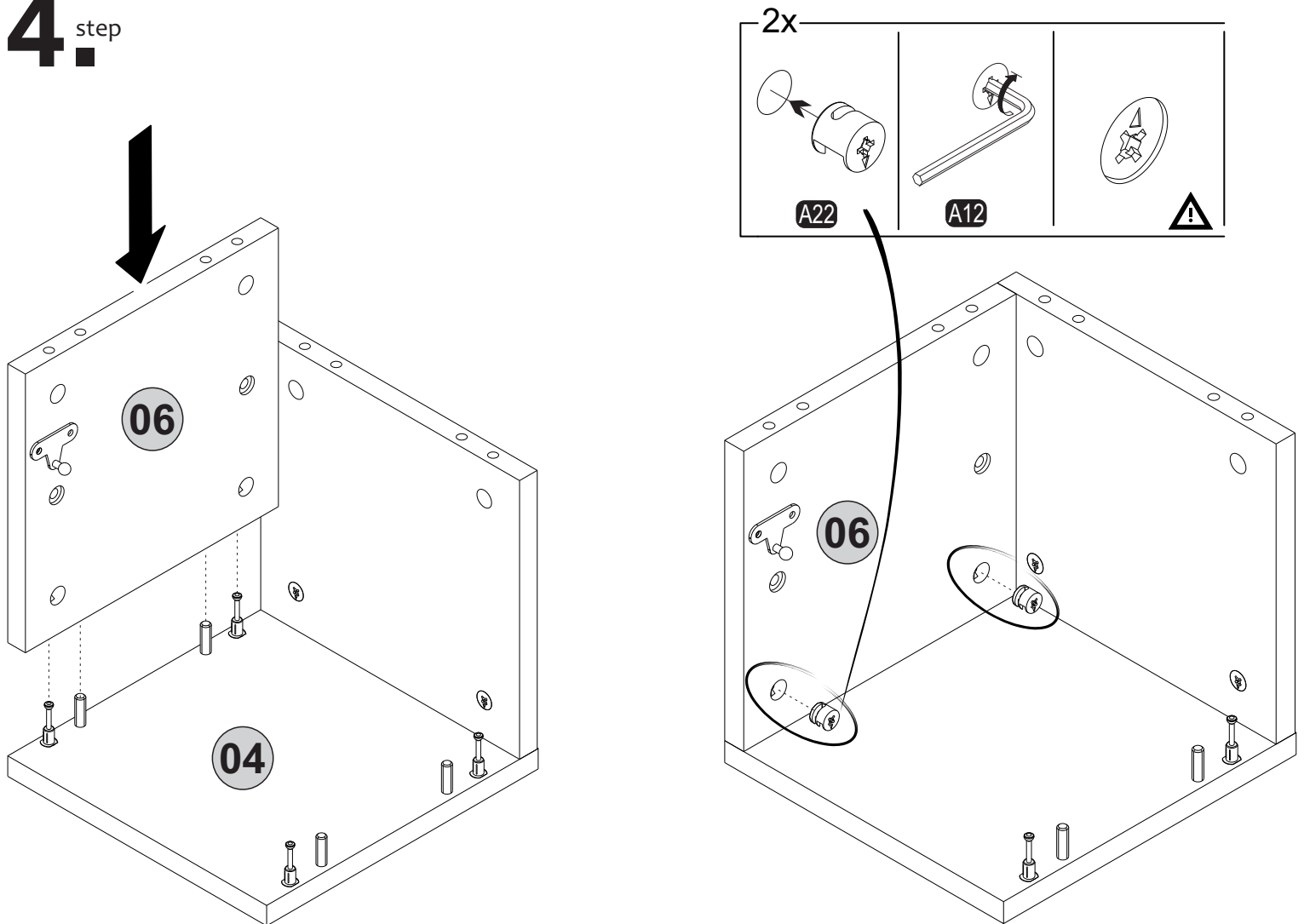
# 2. step



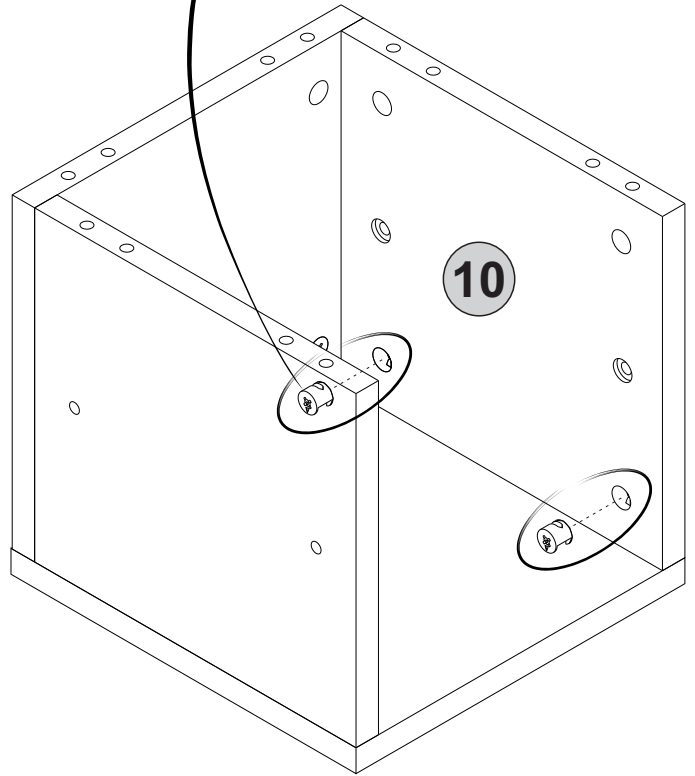
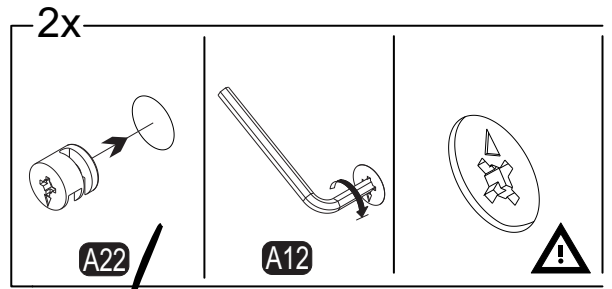
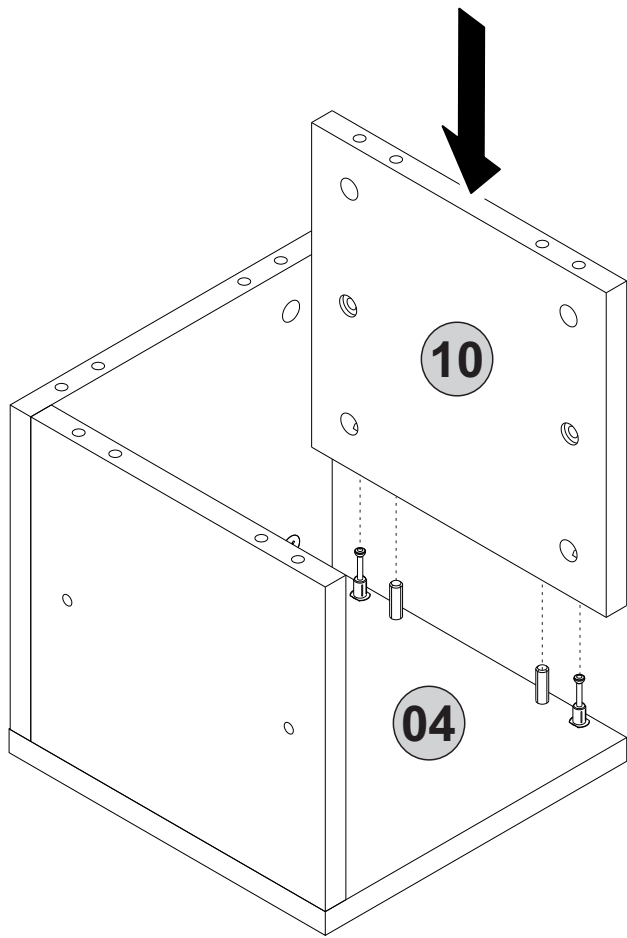
# 3. step



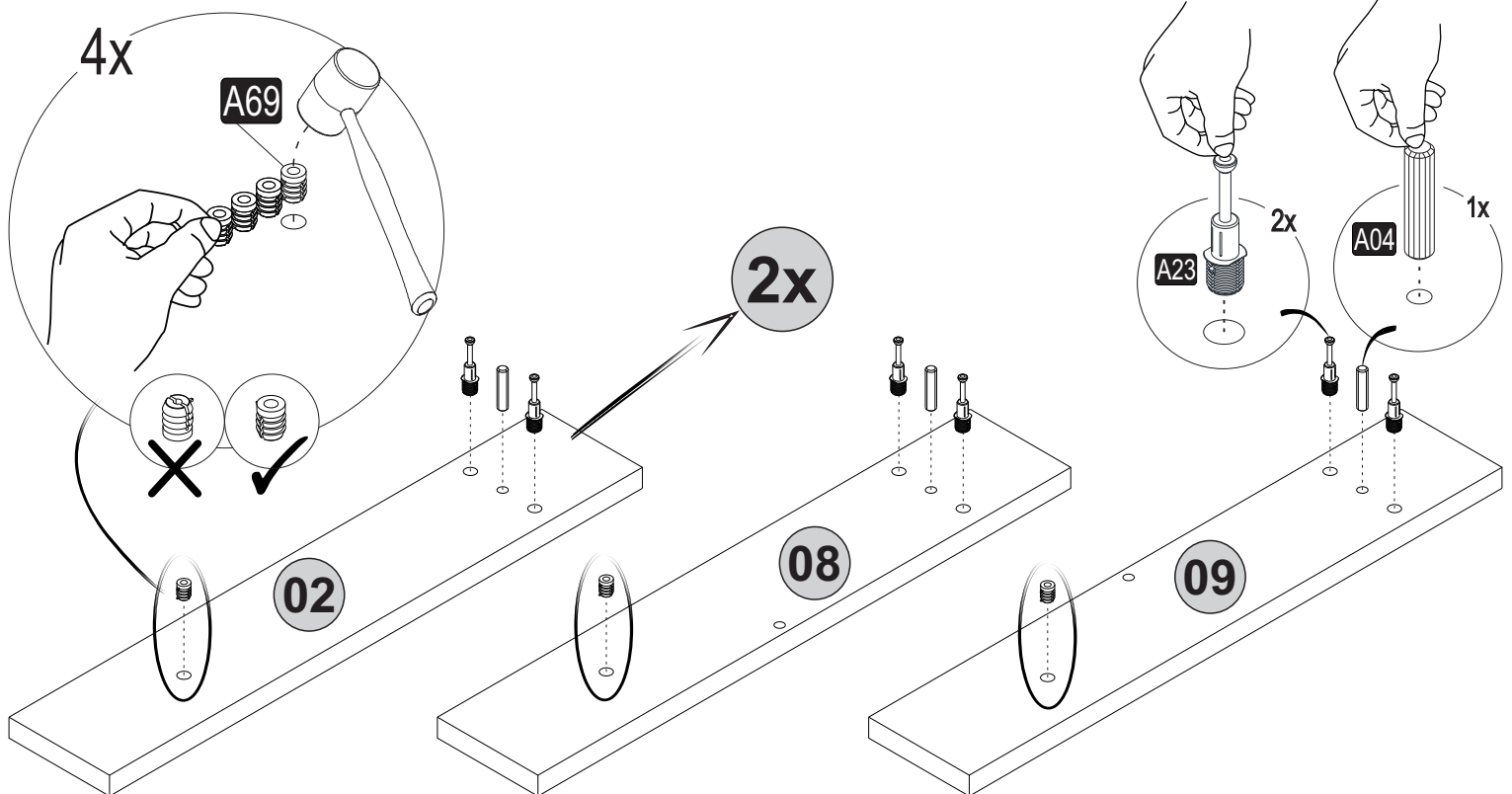
# 4. step



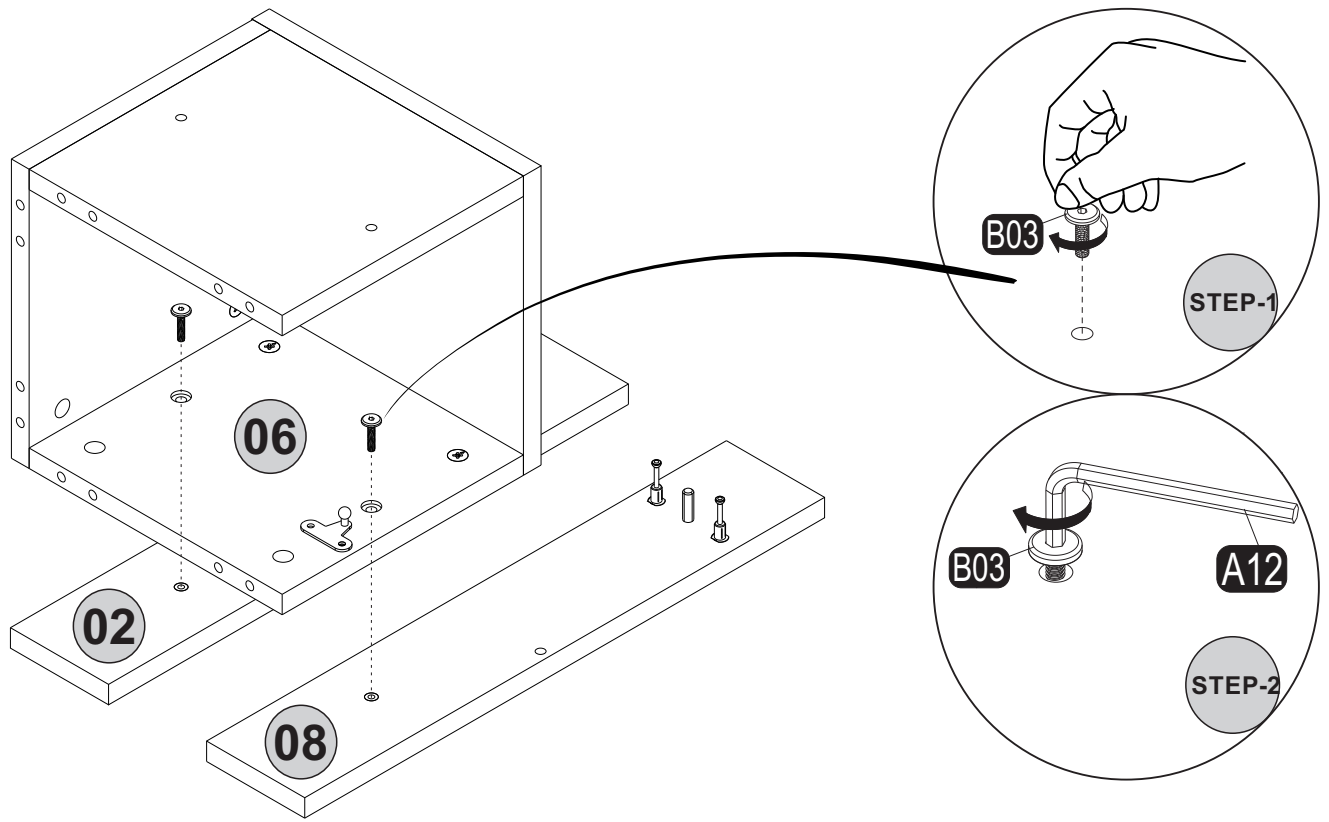
# 5. step



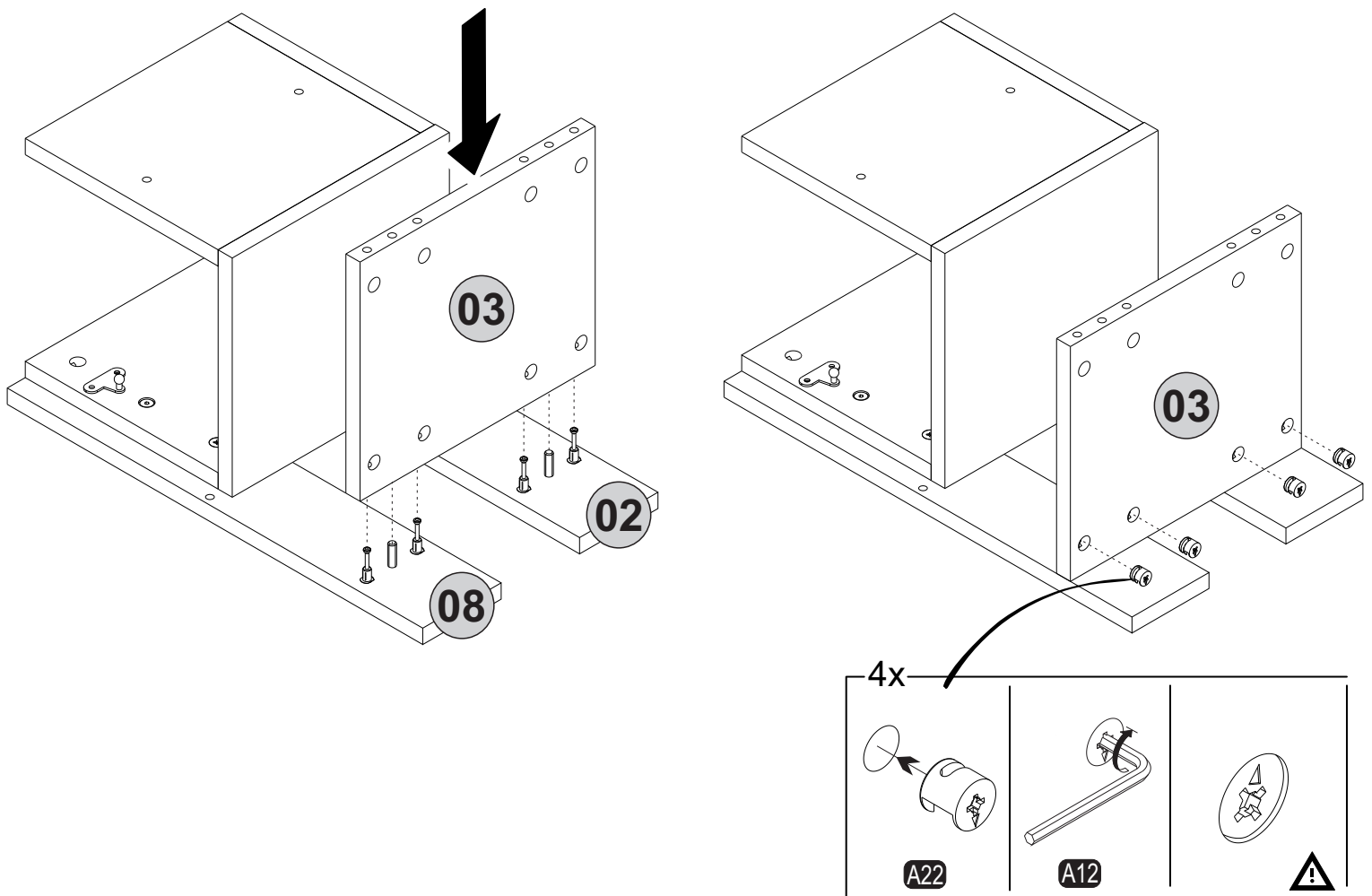
# 6. step



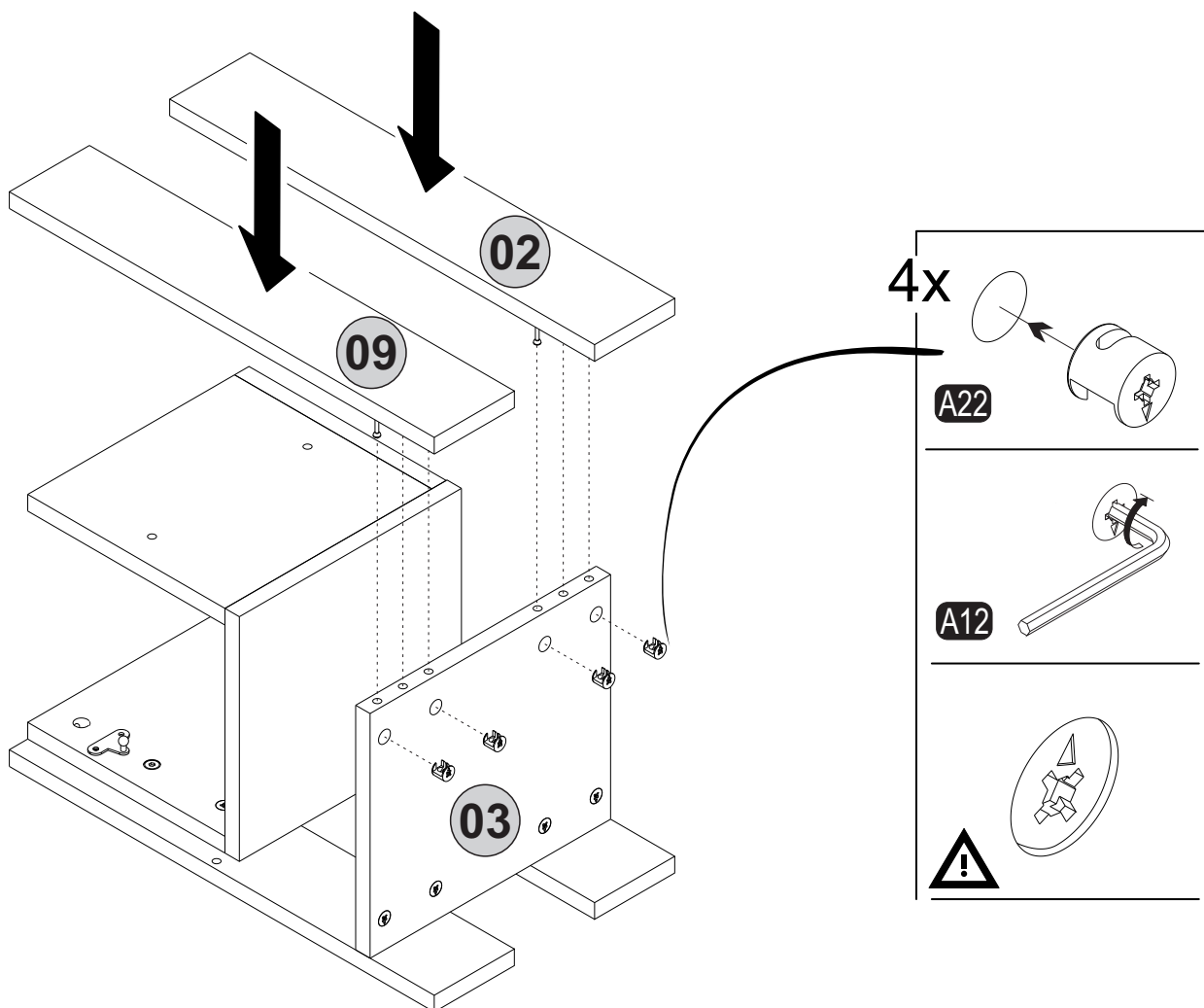
# 7. step



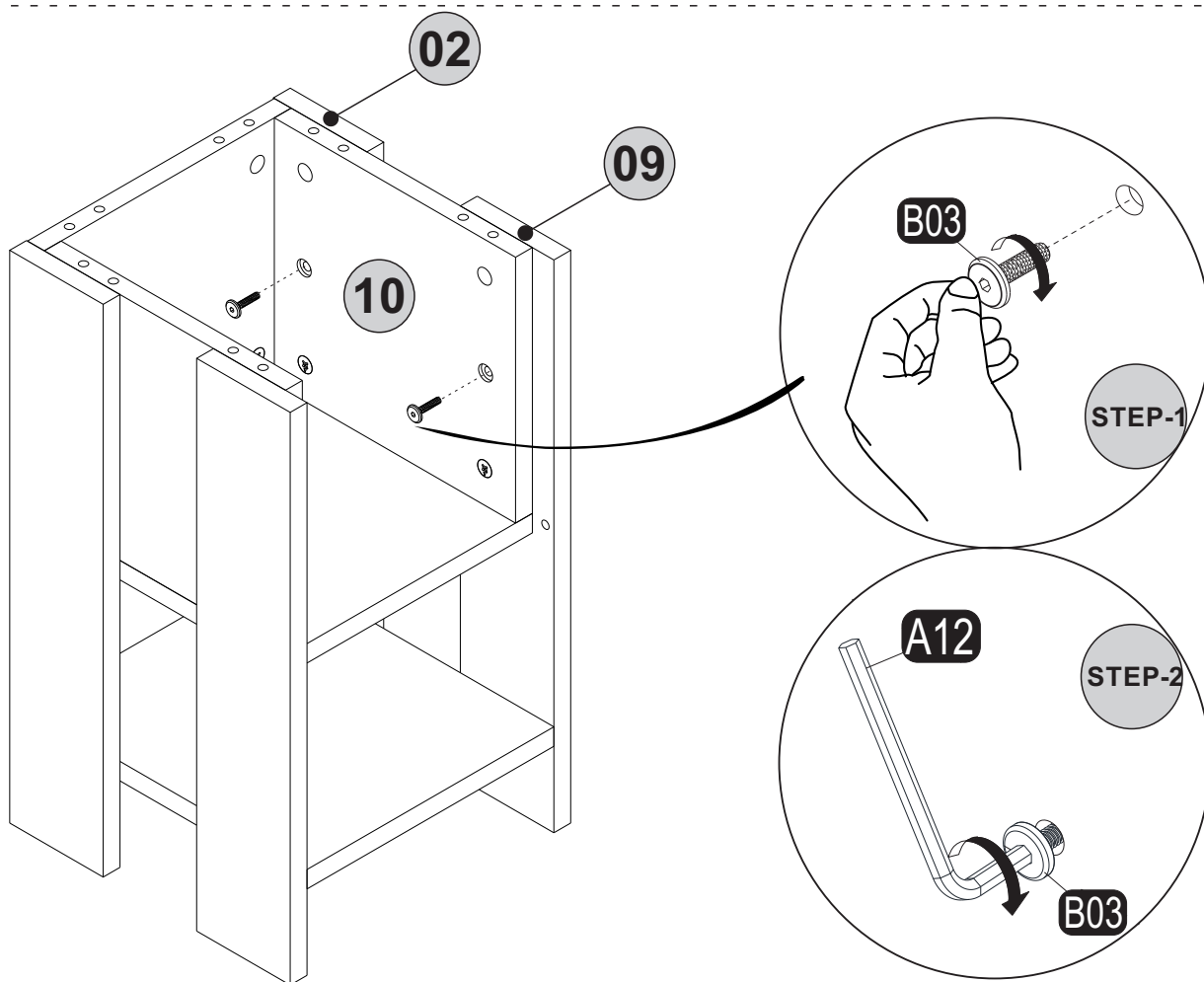
# 8. step



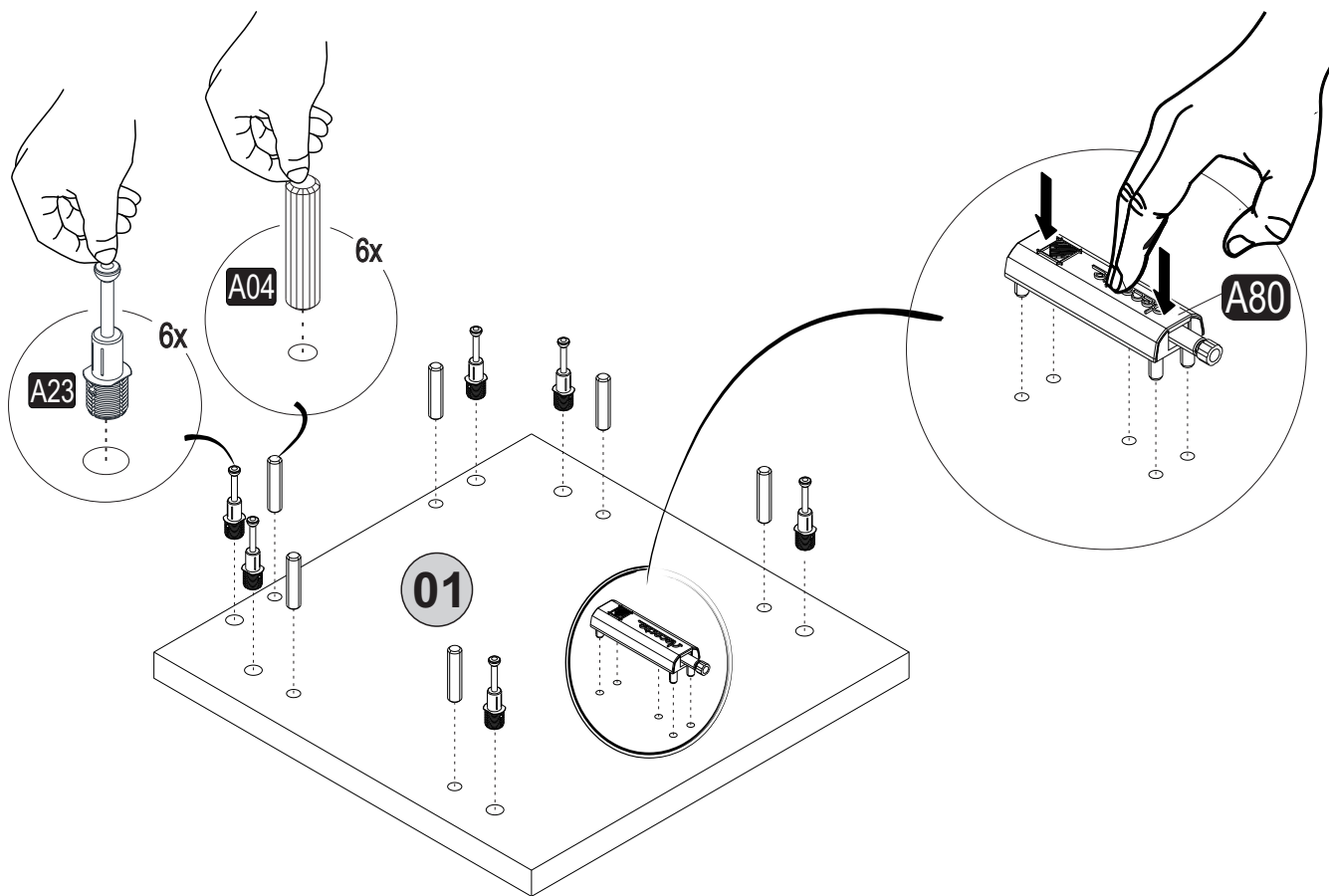
# 9<sup>step</sup>



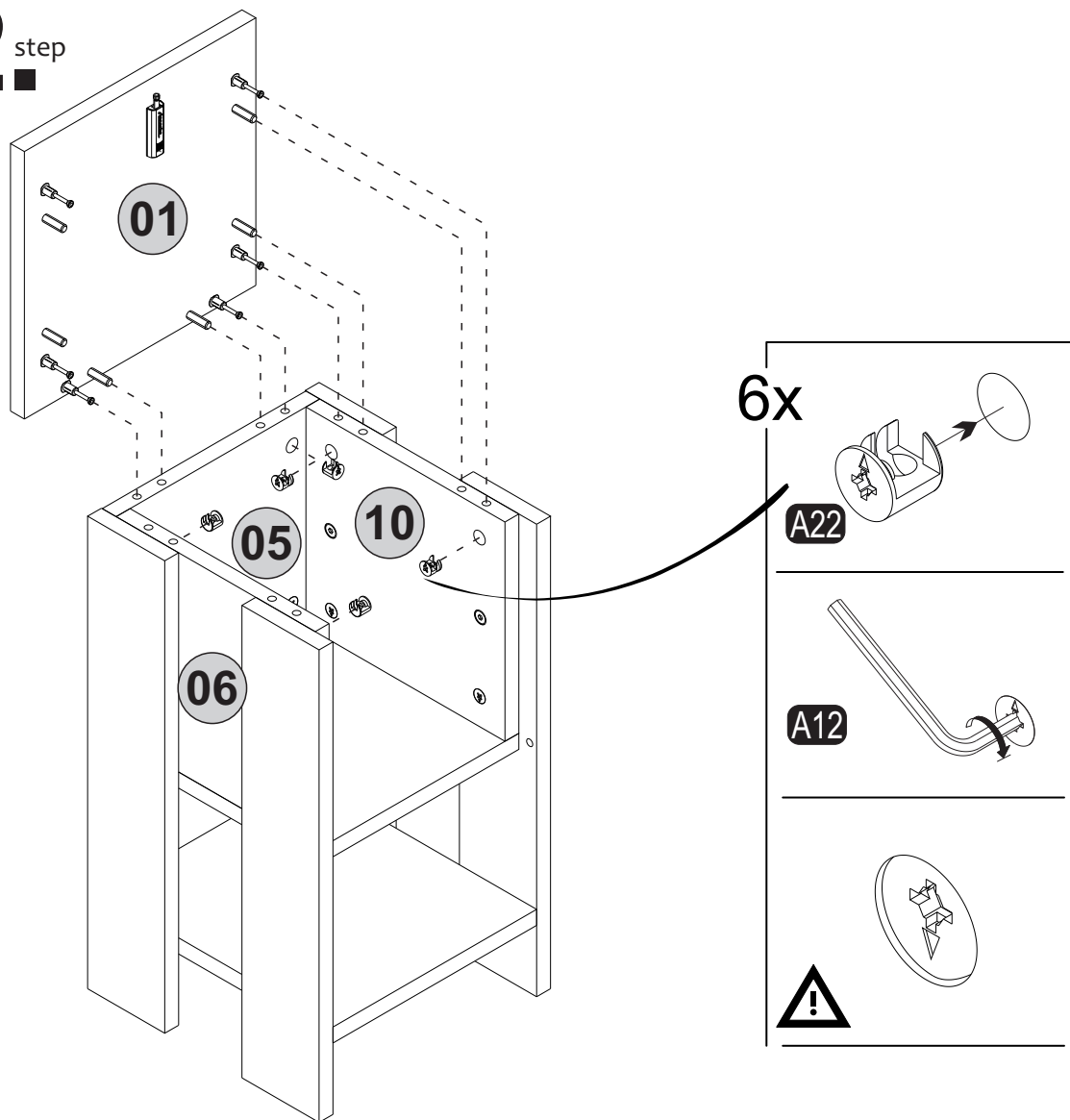
# 10<sup>step</sup>



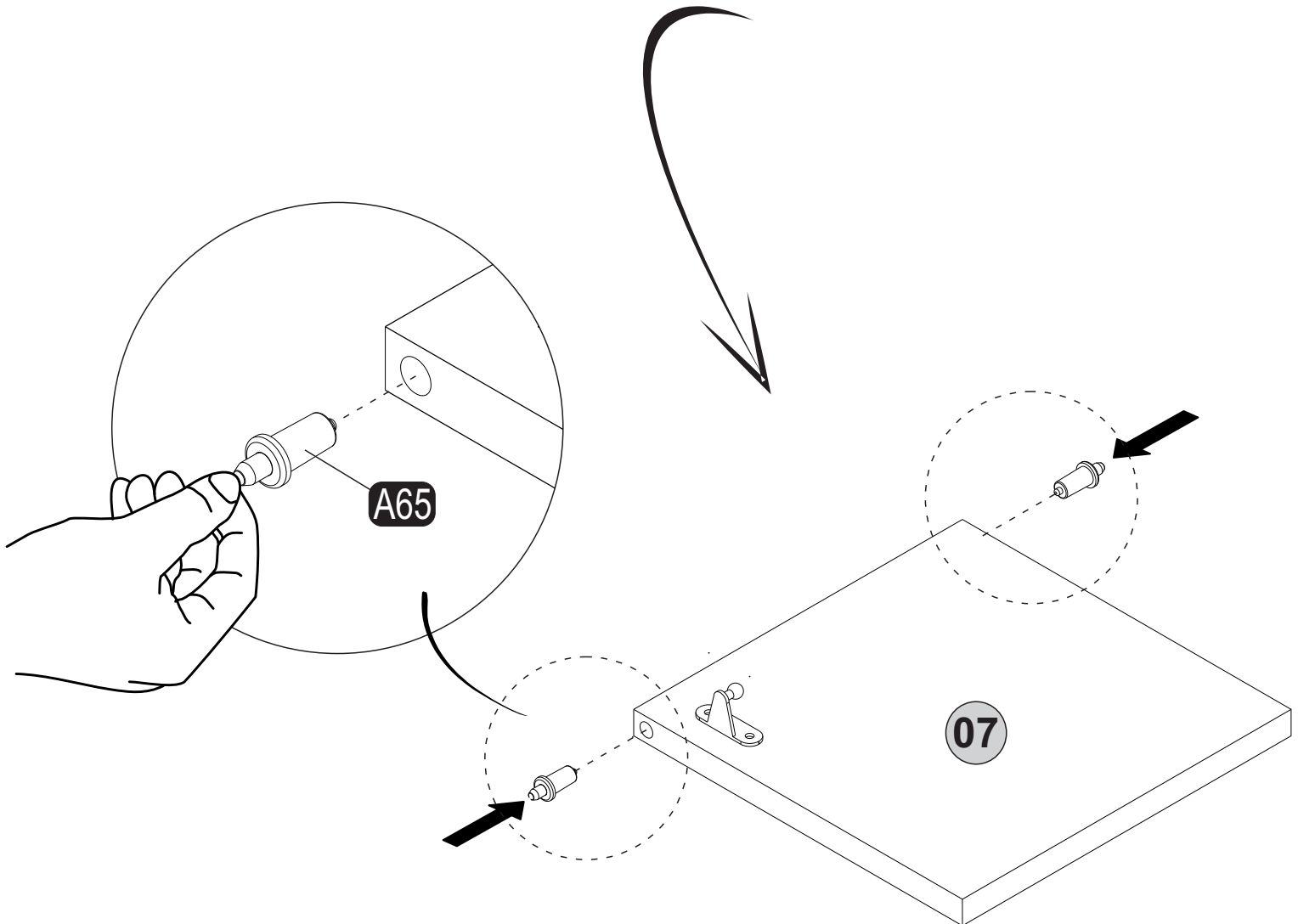
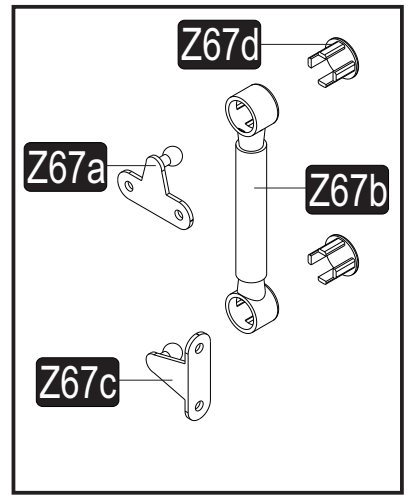
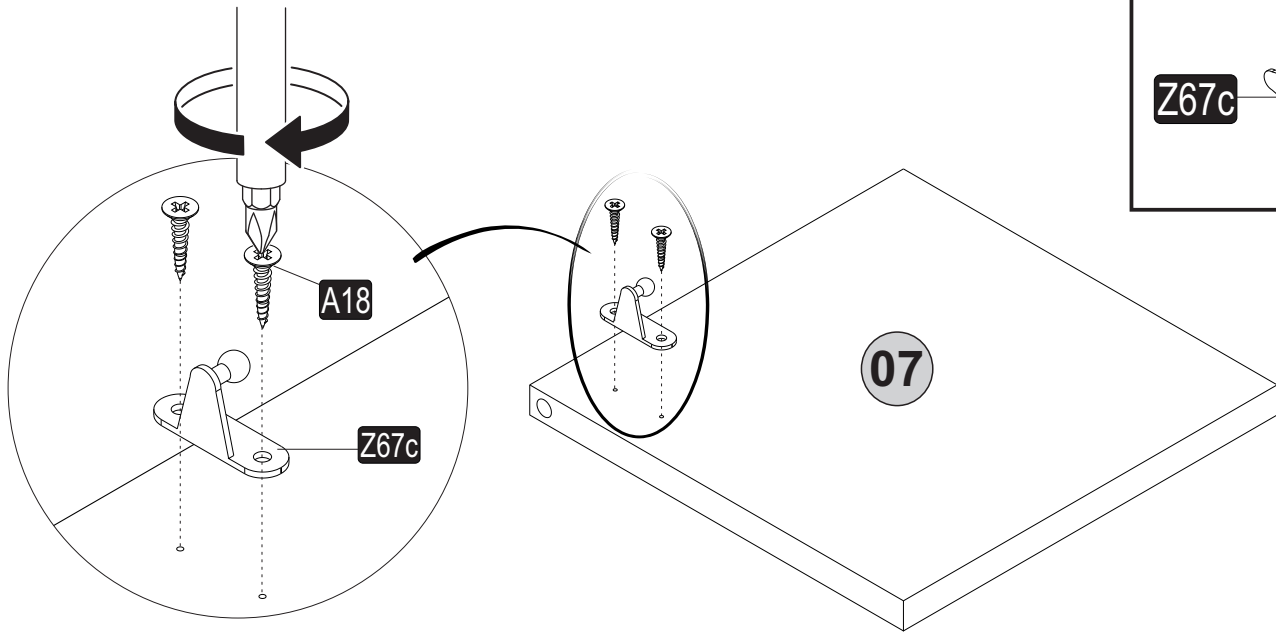
# 11. step



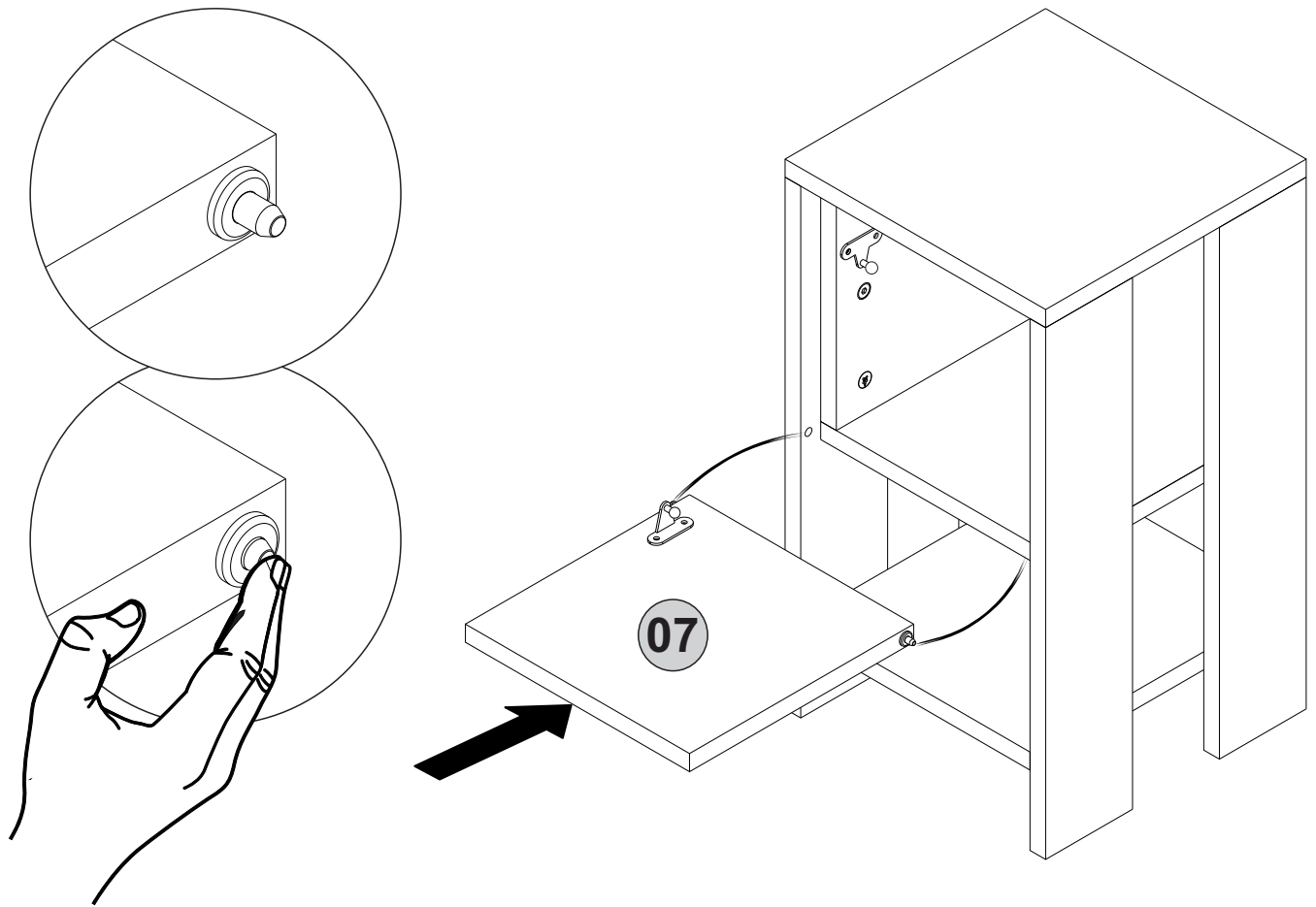
# 12. step



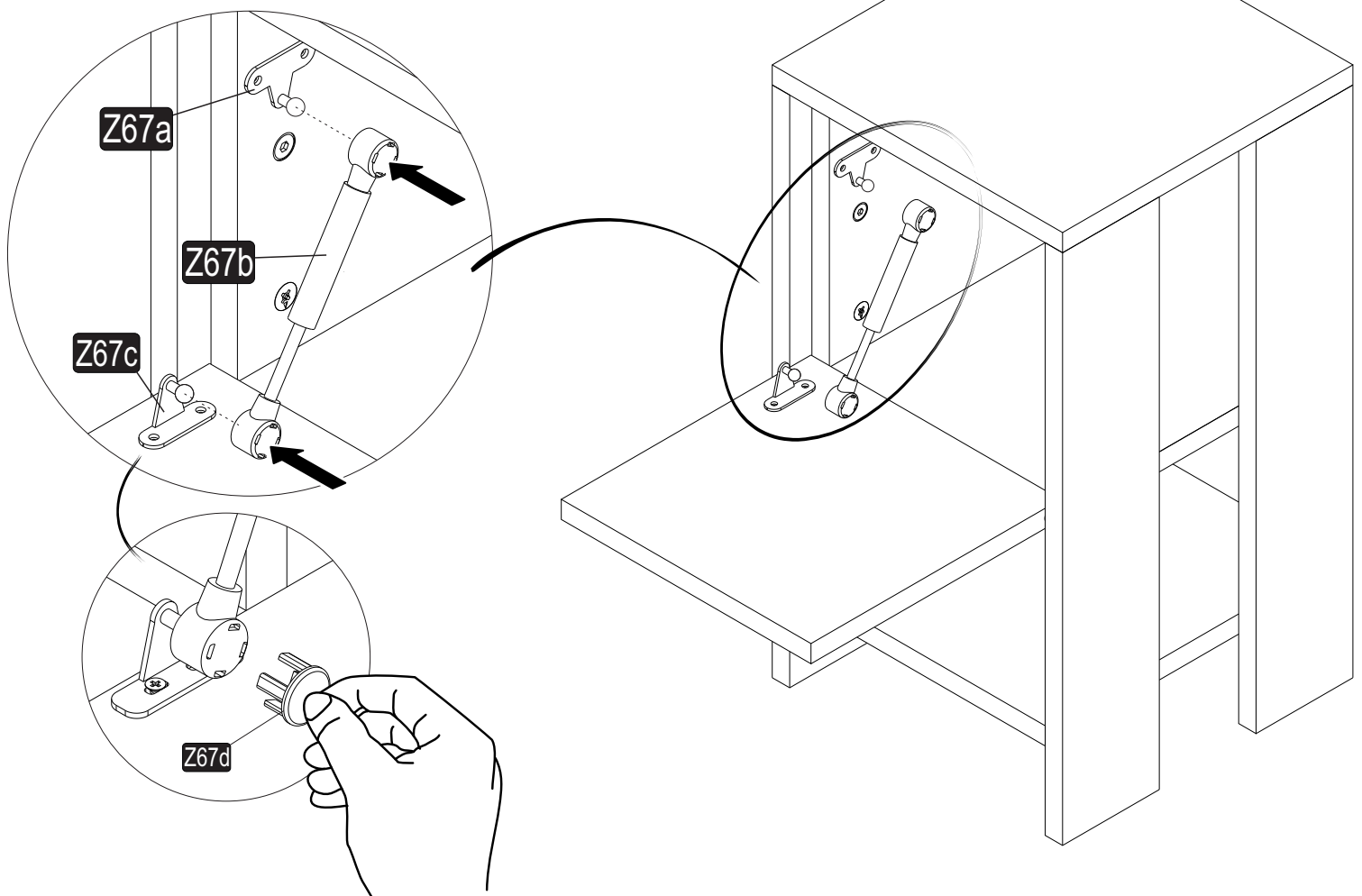
# 13. step



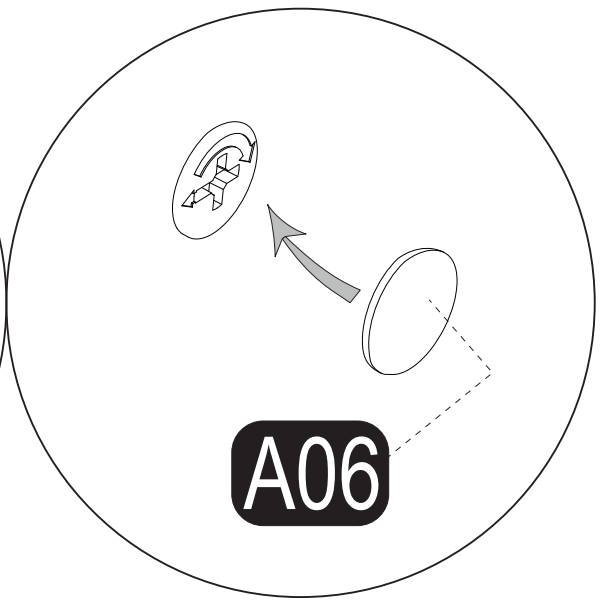
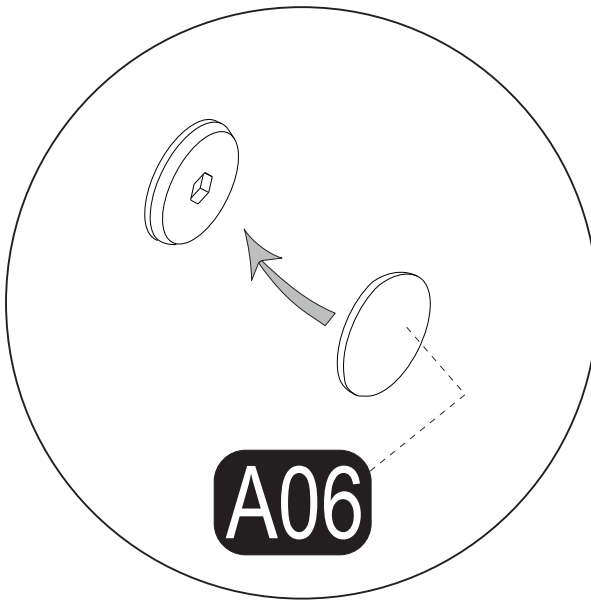
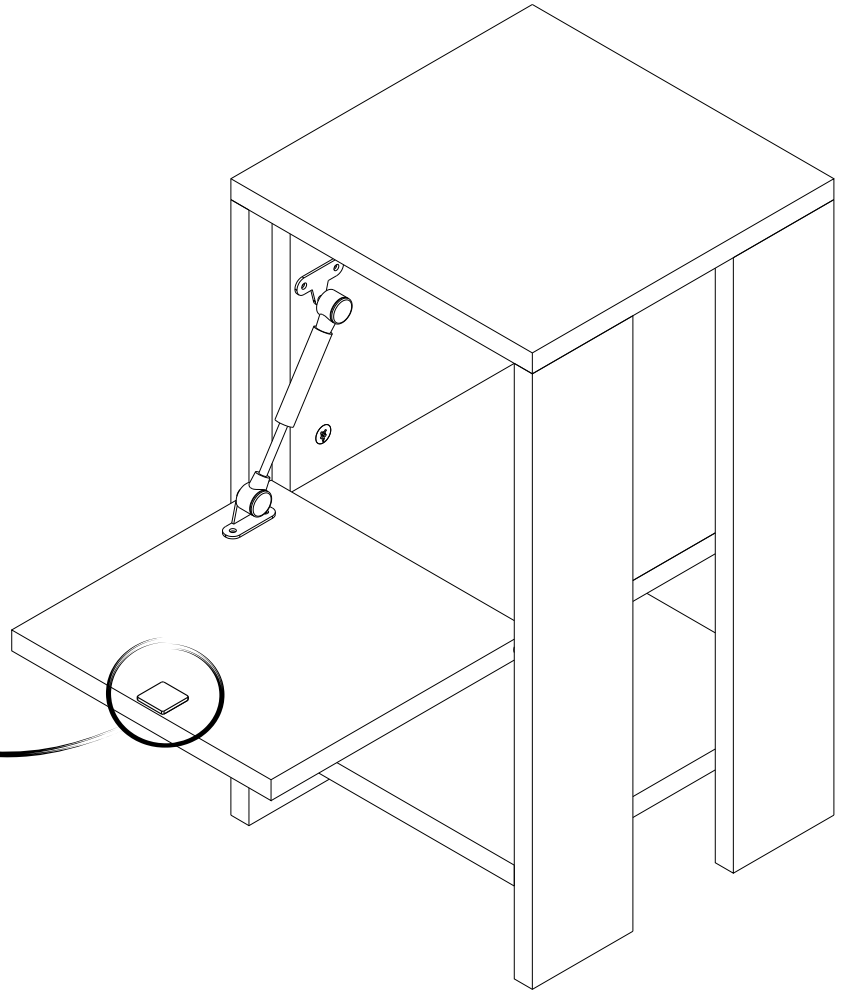
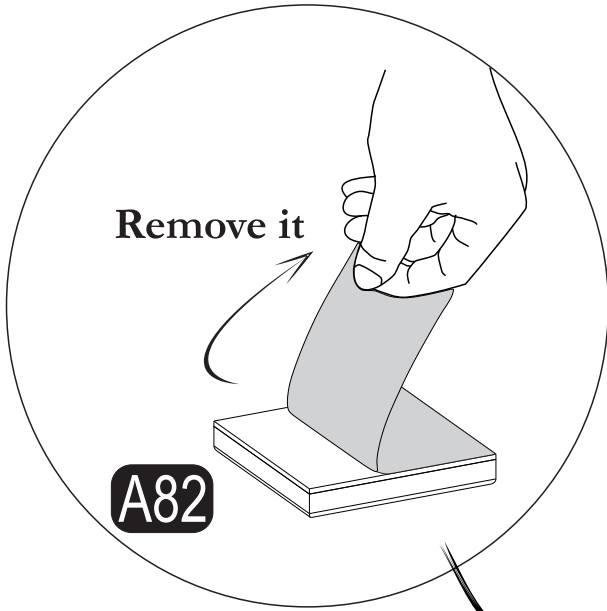
# 14.<sup>step</sup>



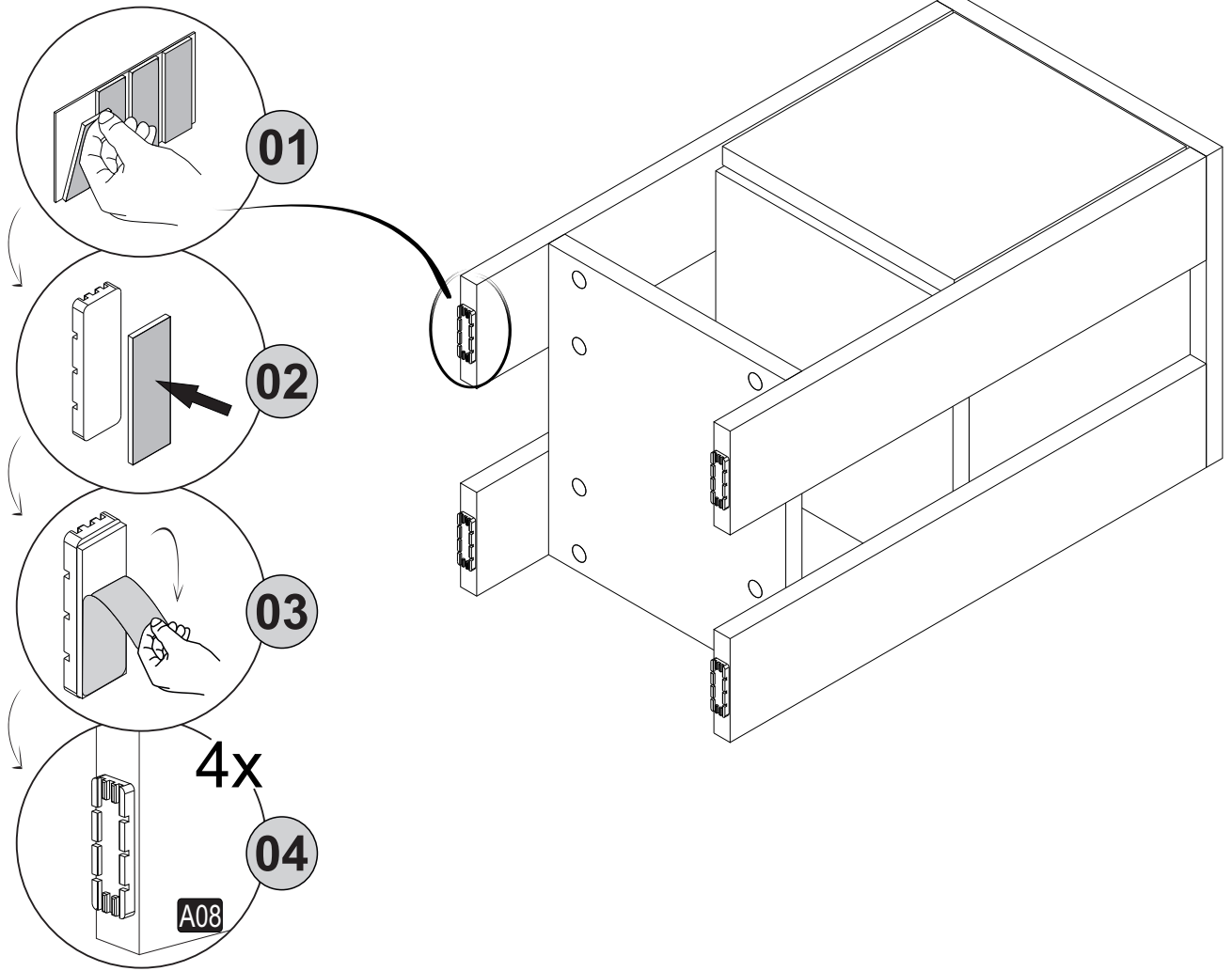
# 15.<sup>step</sup>



# 16<sup>step</sup>



# 17. step



# 18. step

