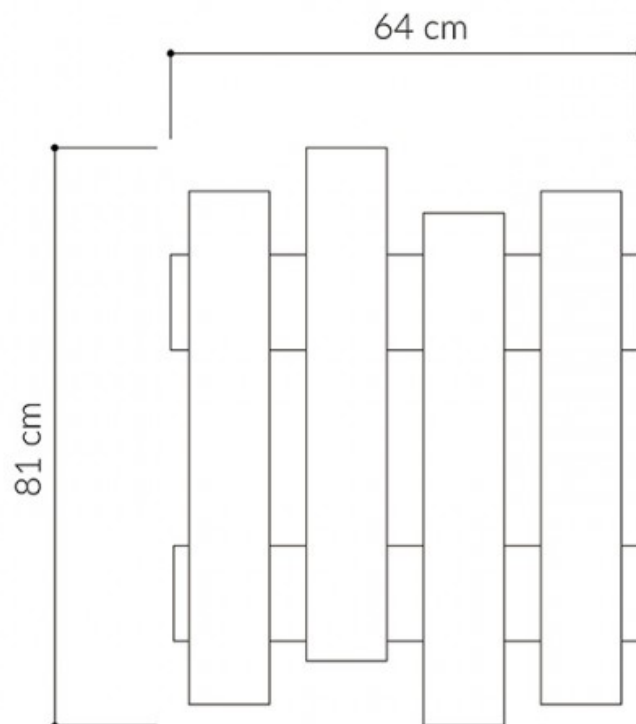



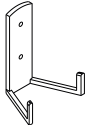
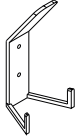





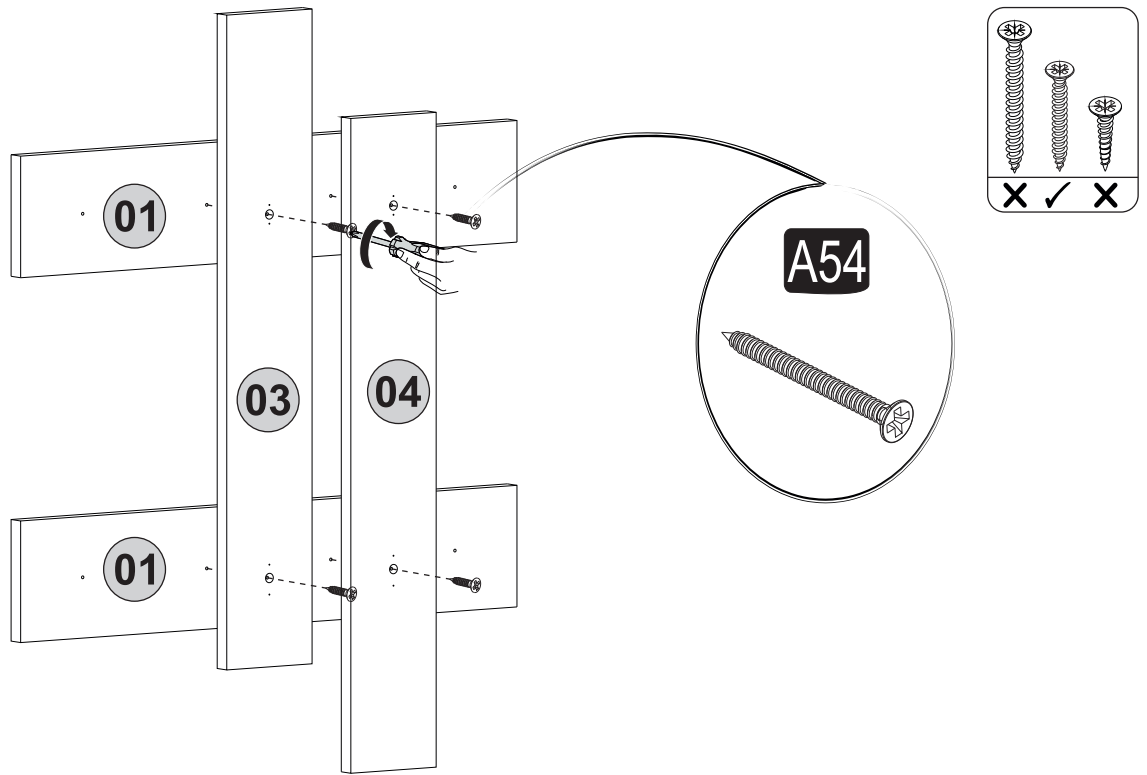
# GP037-0044,3



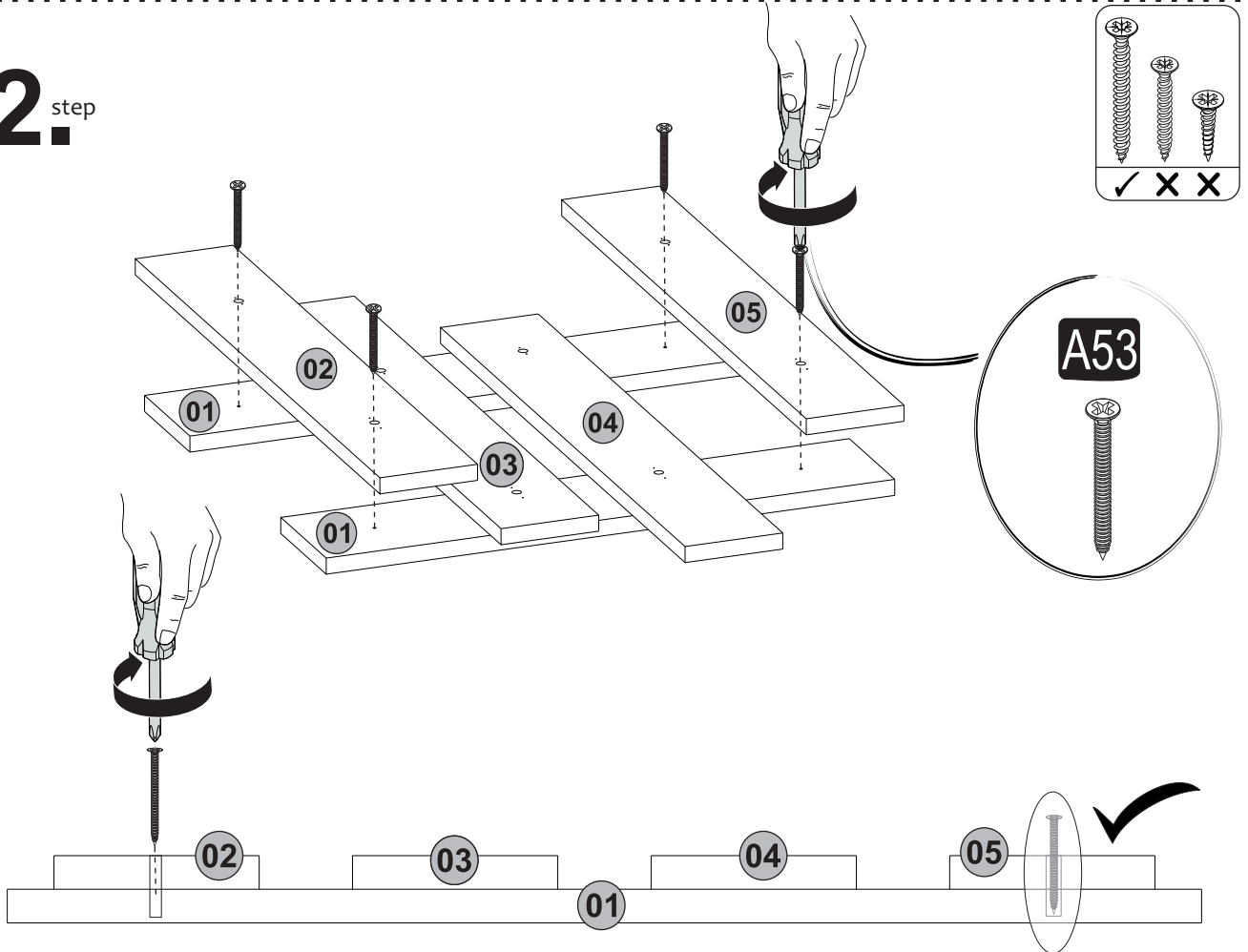
<b>A54</b>  4x30 <b>4x</b>	<b>A53</b>  4x70 <b>4x</b>	<b>A16</b>  DbØ8 <b>4x</b>	<b>Z68</b>  PKAGK (grey) <b>4x</b>	<b>Z69</b>  PKAGB (grey) <b>4x</b>
<b>A18</b>  3,5x18 <b>16x</b>				



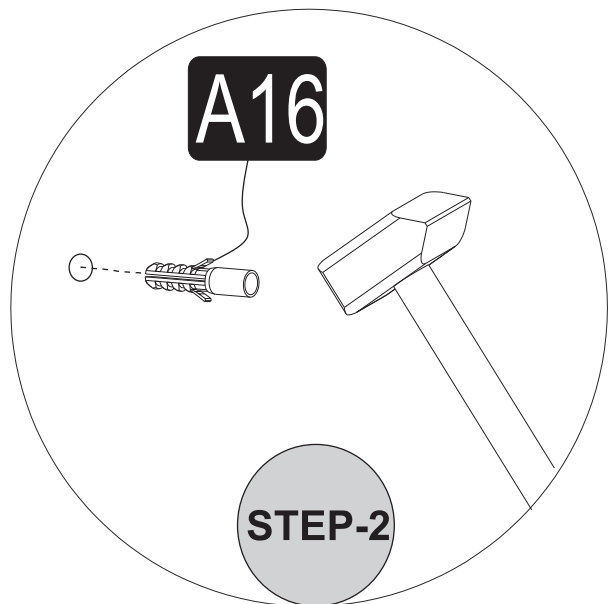
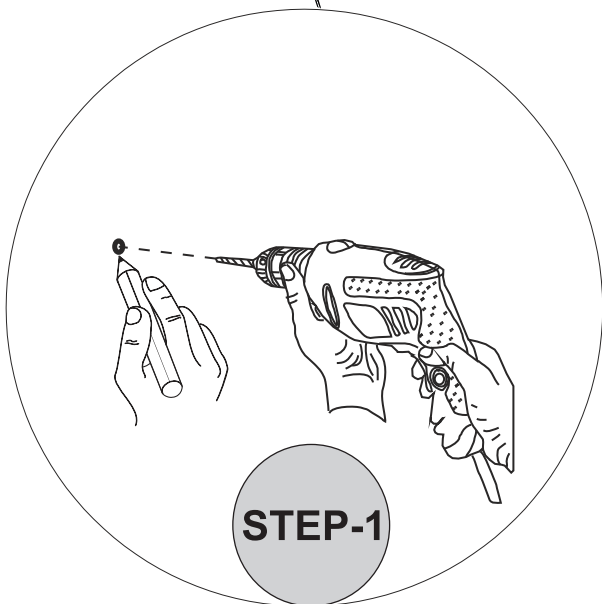
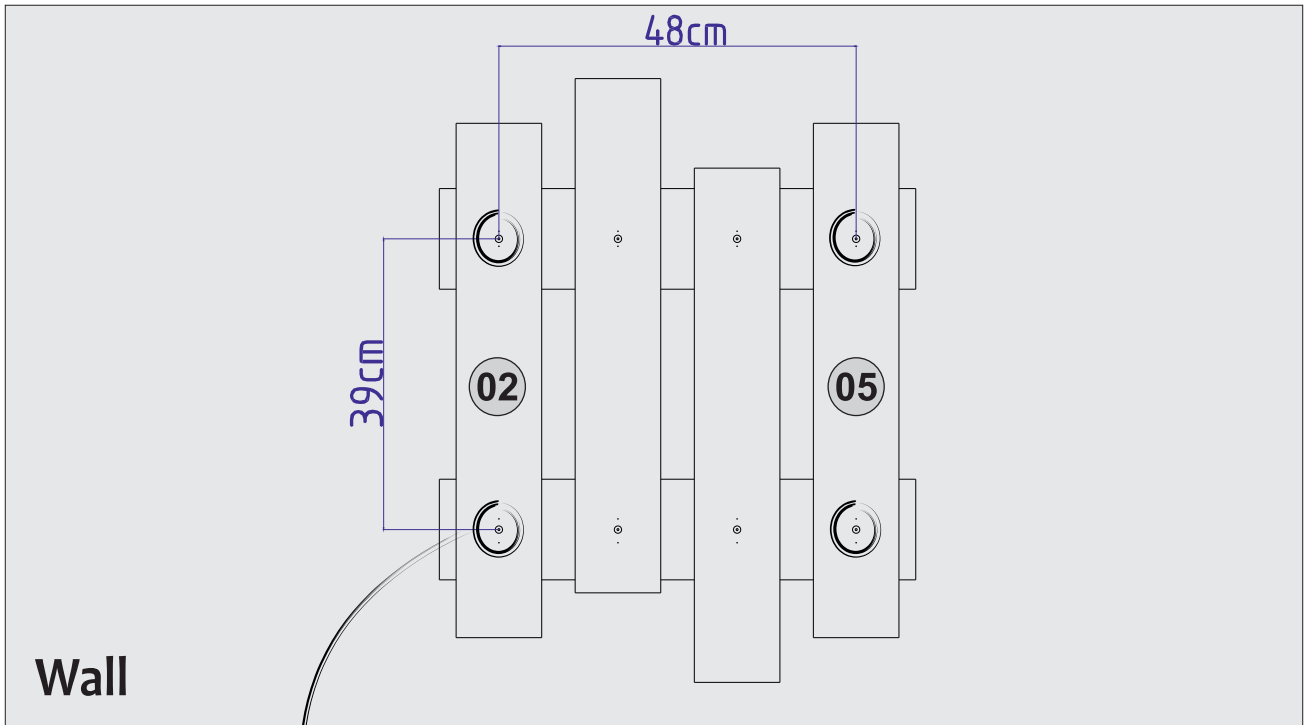
**1.** step



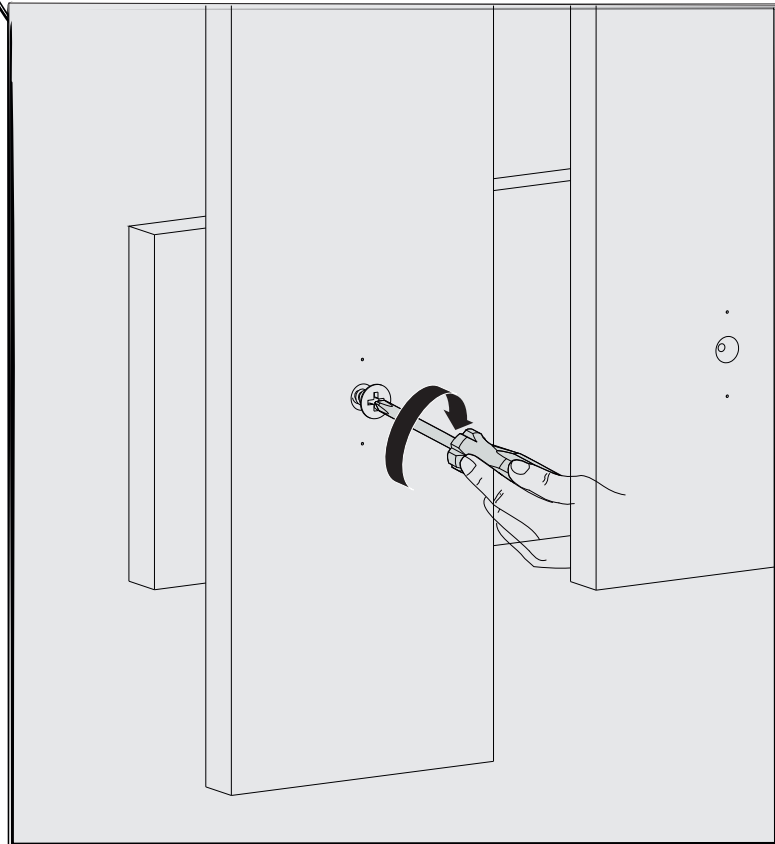
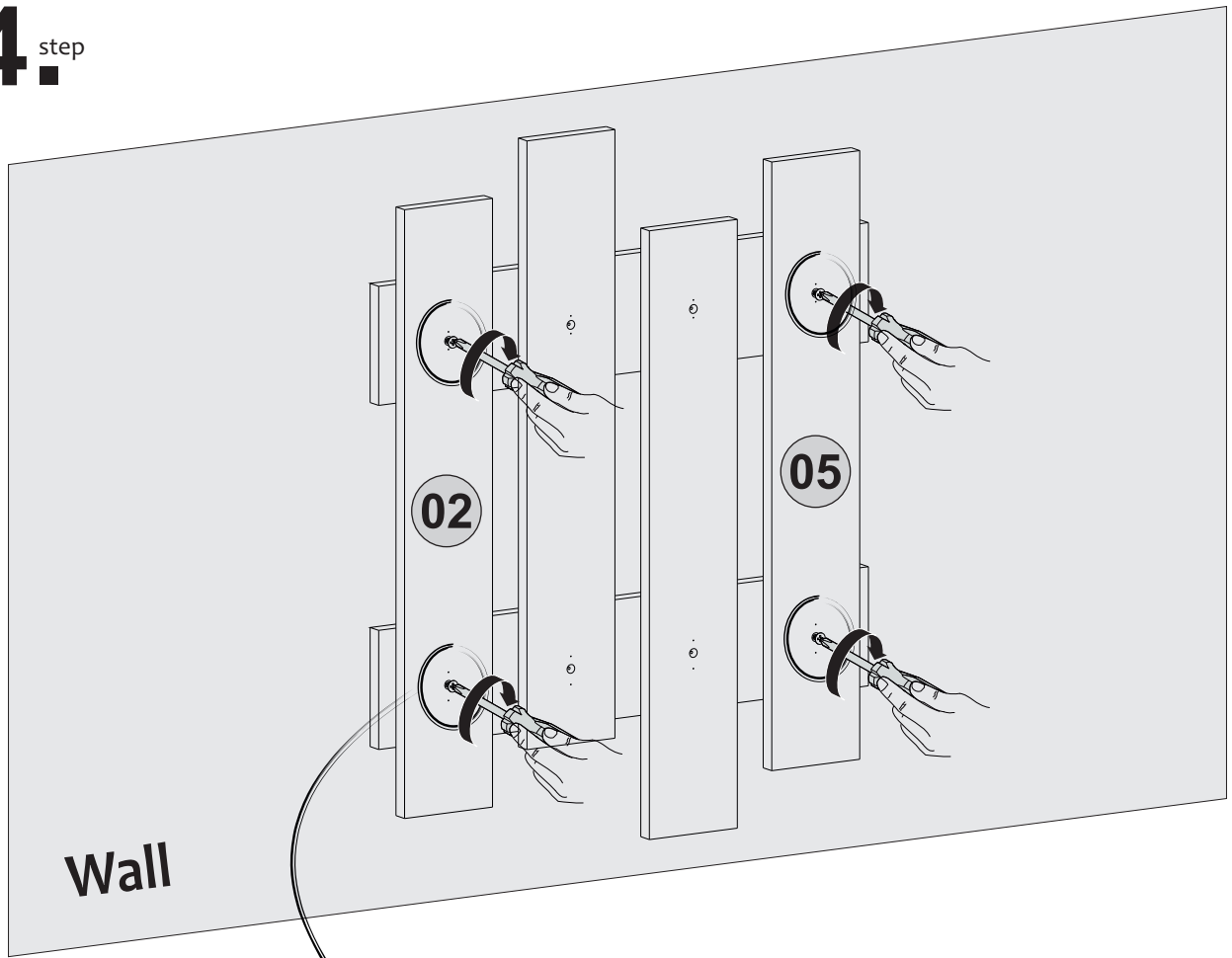
**2.** step



# 3<sup>step</sup>



# 4<sub>step</sub>



# 5. step

