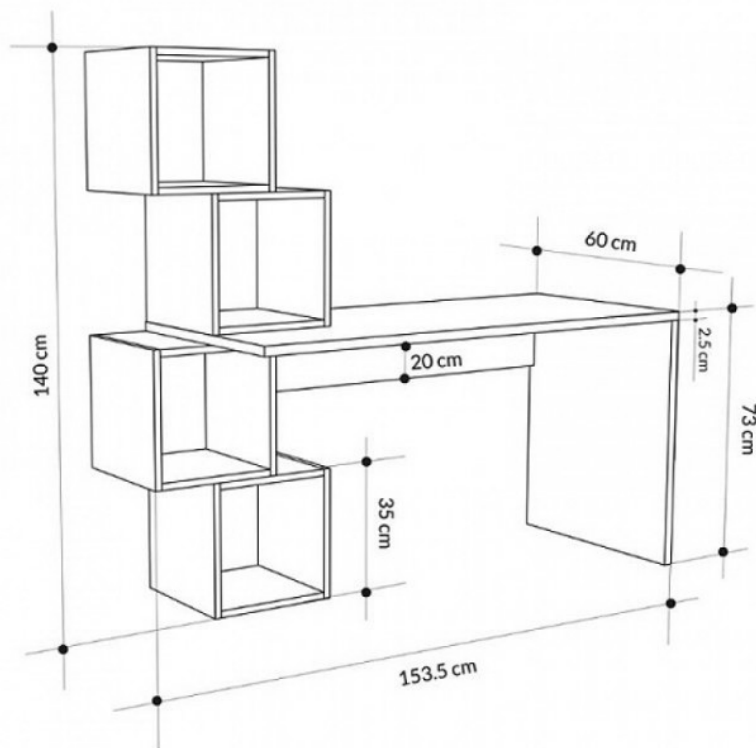
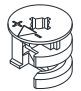

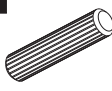





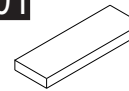
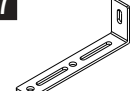



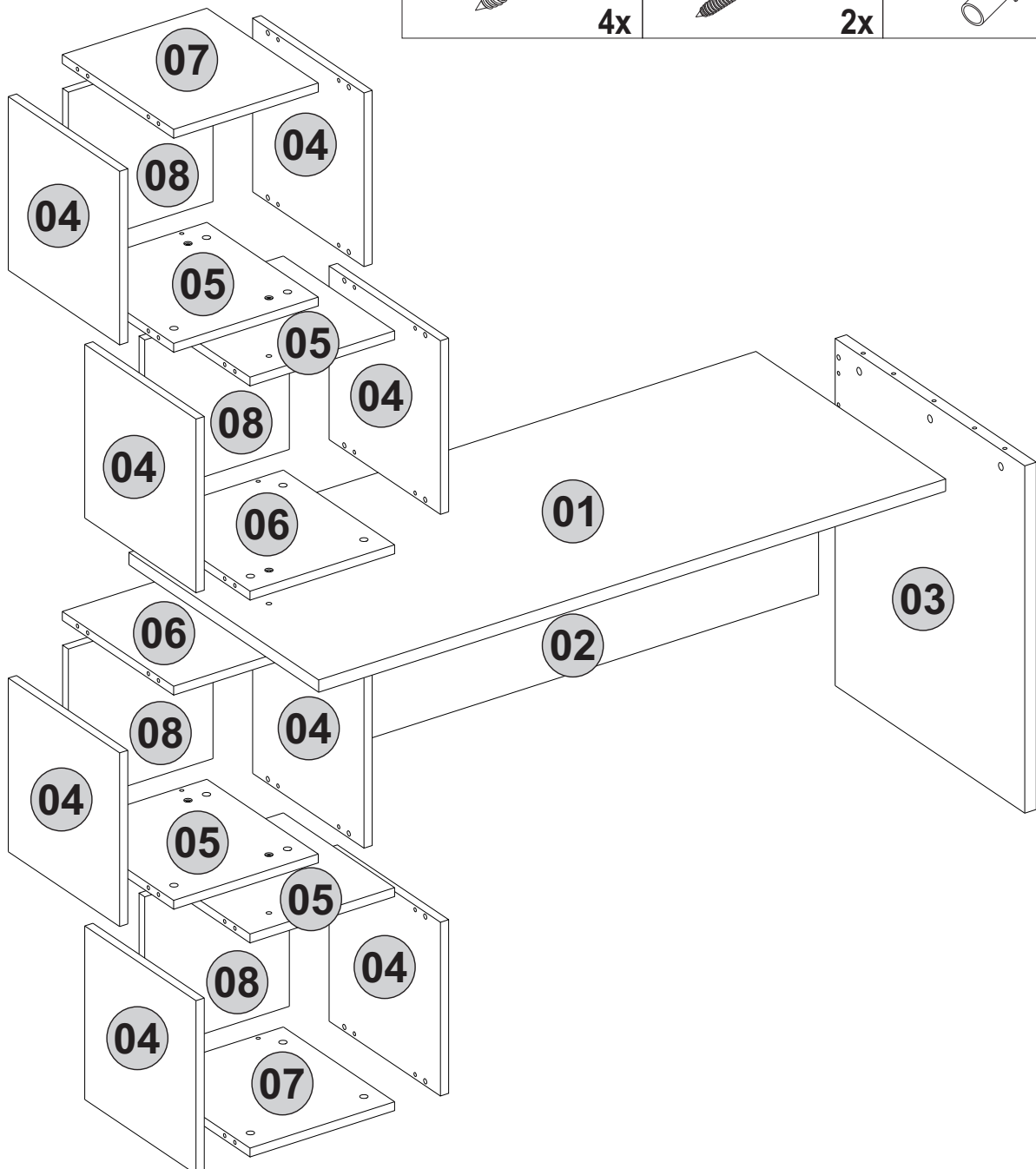




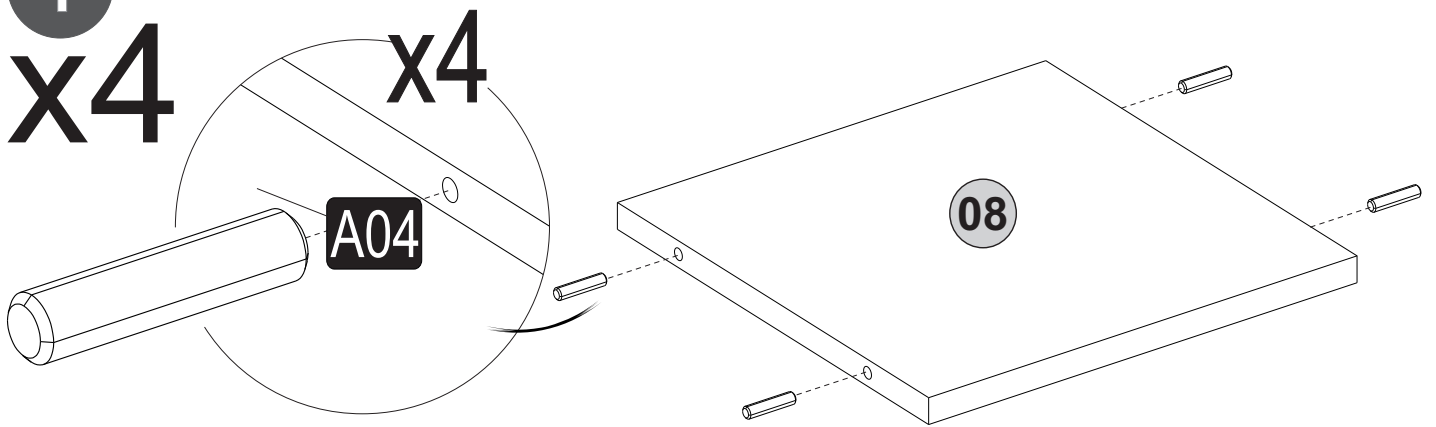
**GP037-0051,1**



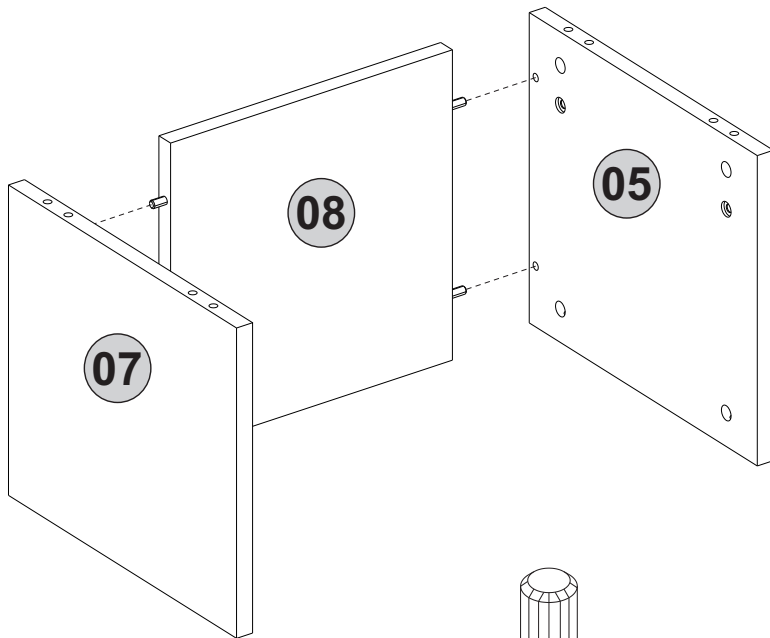
<b>A22</b> Minifix k18  40x	<b>A23</b> Minifix M10  40x	<b>A04</b> Ø8  54x	<b>B03</b> 25 mm  4x	<b>B02</b> 50 mm  2x
<b>B10</b> Perçin  6x	<b>A12</b> Allen  2x	<b>A06</b> 18mm  C1-8x C3-44x	<b>PB01</b> Kece  6x	<b>A87</b> 15x90x30  2x
<b>A18</b> 3,5x18  4x	<b>A17</b> 4x50  2x	<b>A16</b> DbØ8  2x		



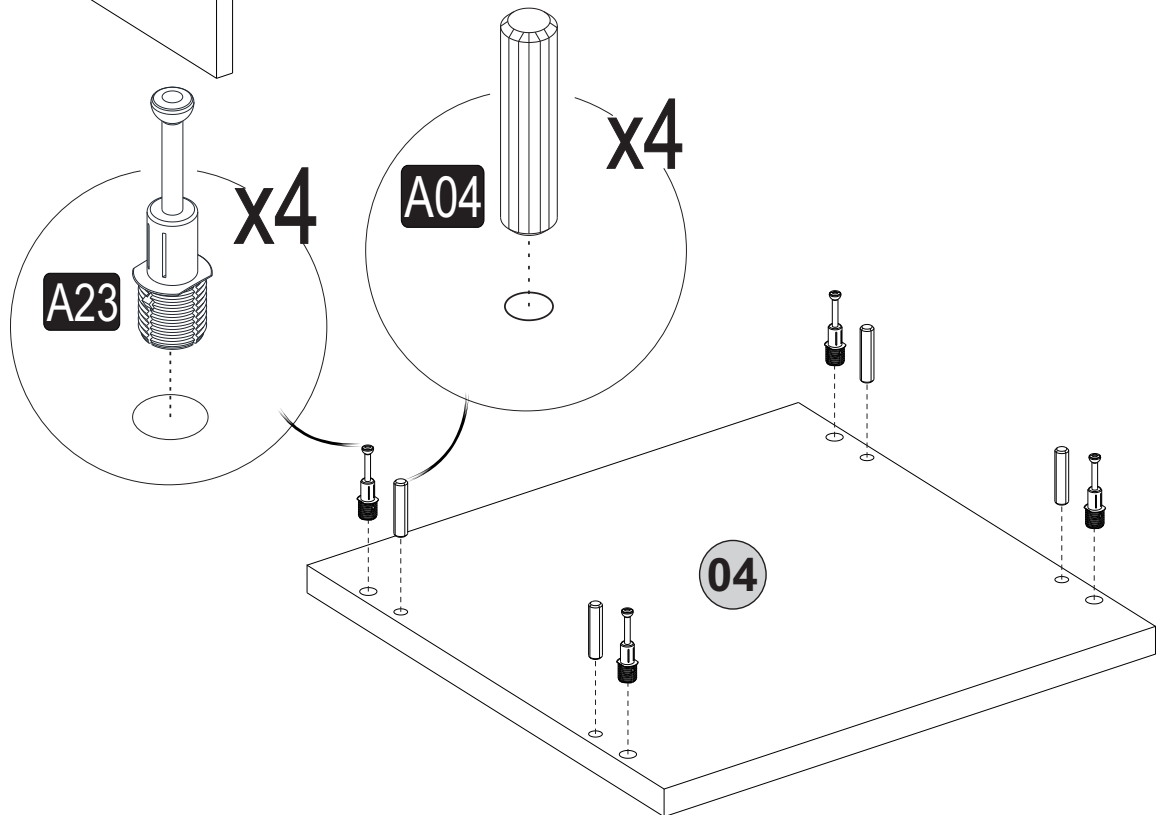
**1**  
**x4**



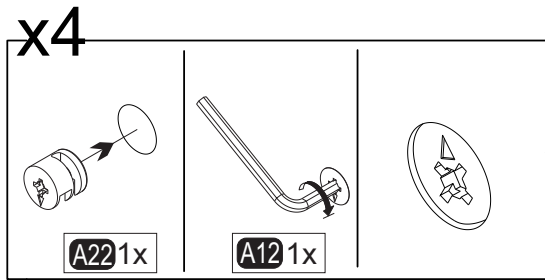
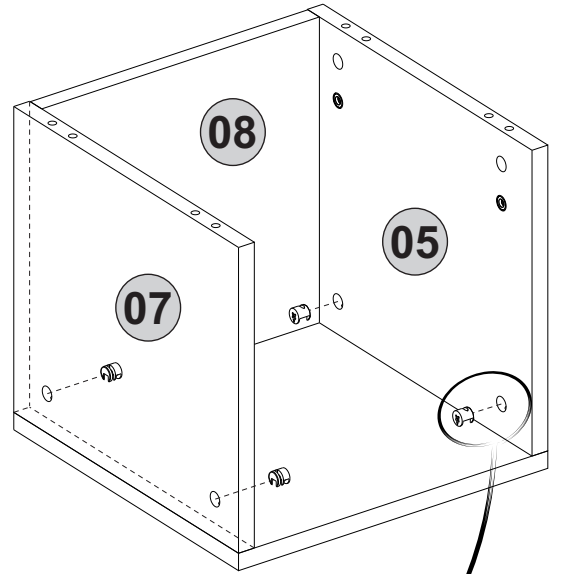
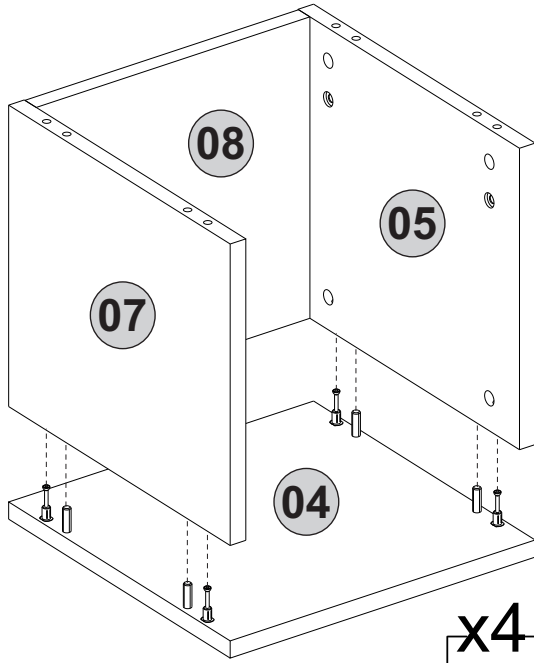
**2**  
**x2**



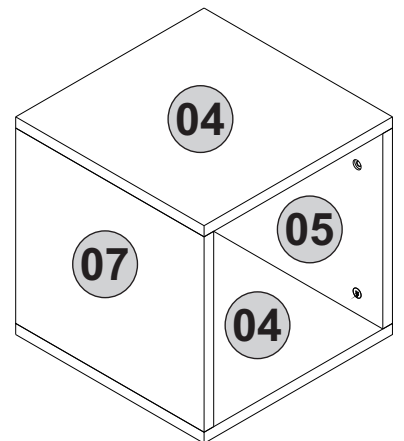
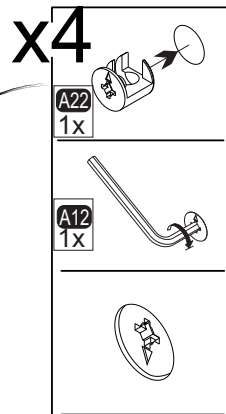
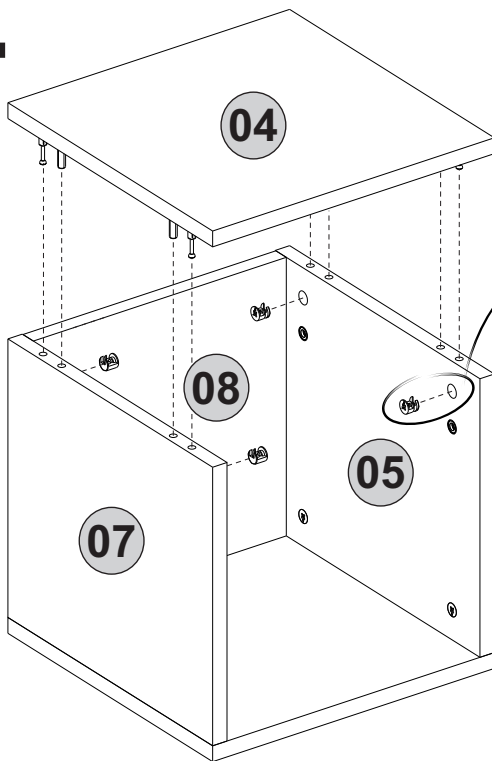
**3**  
**x8**



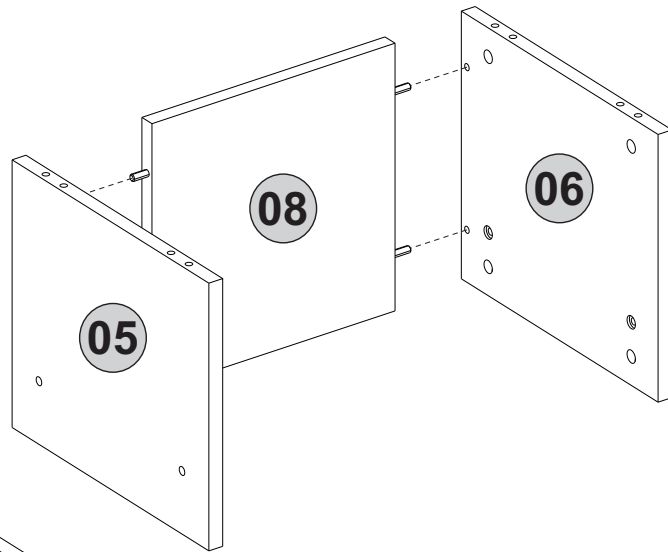
**4**  
**x2**



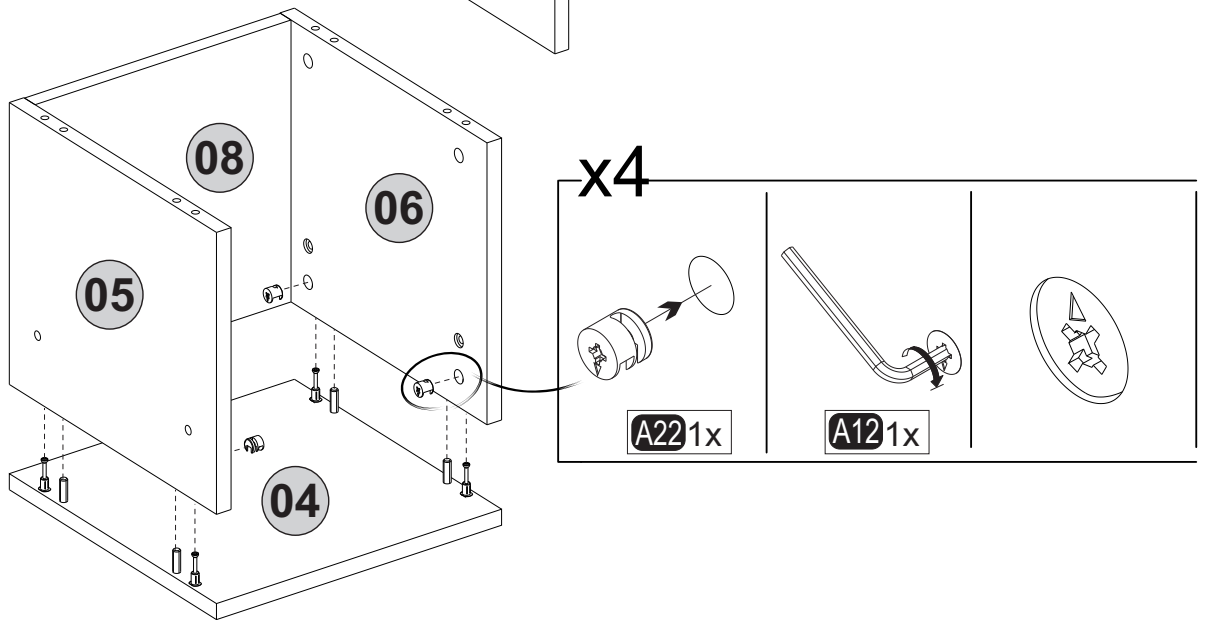
**5**  
**x2**



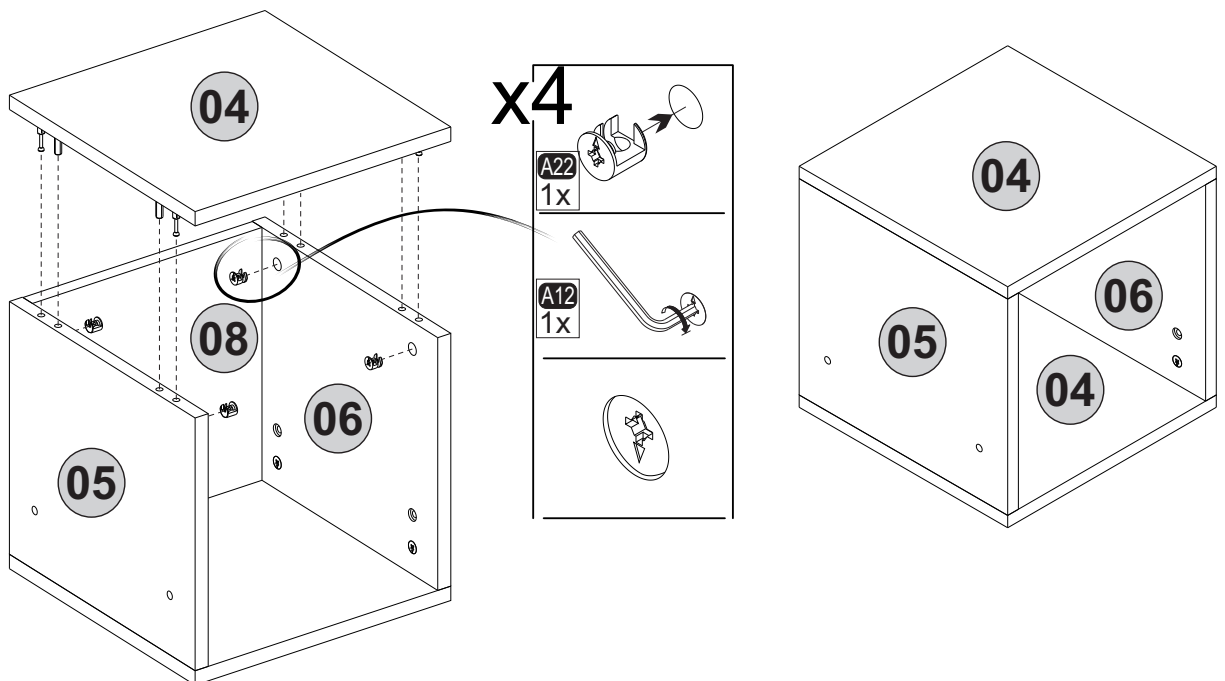
6  
x2



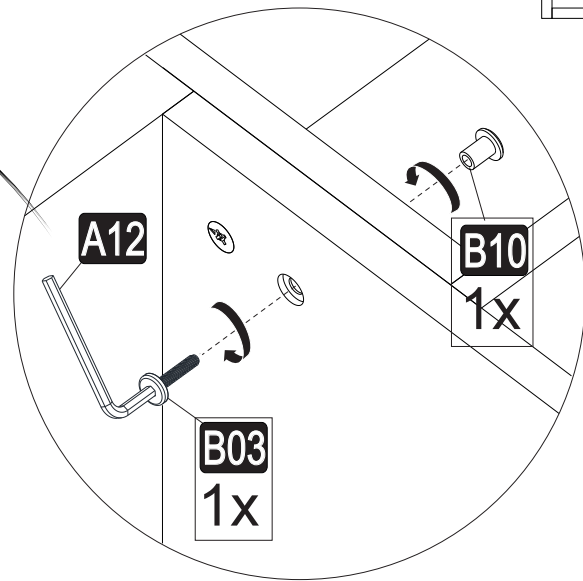
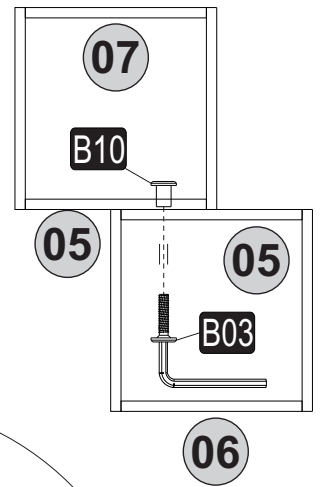
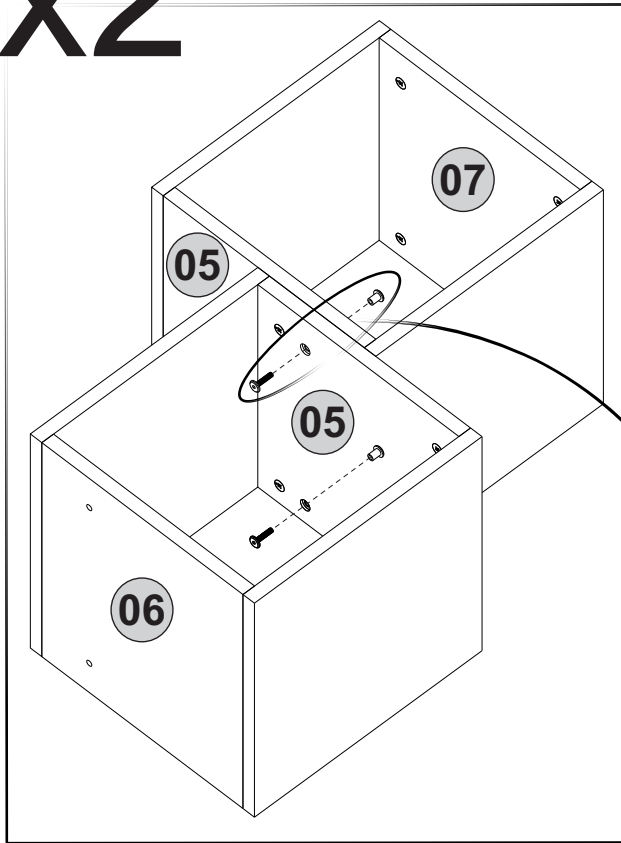
7  
x2



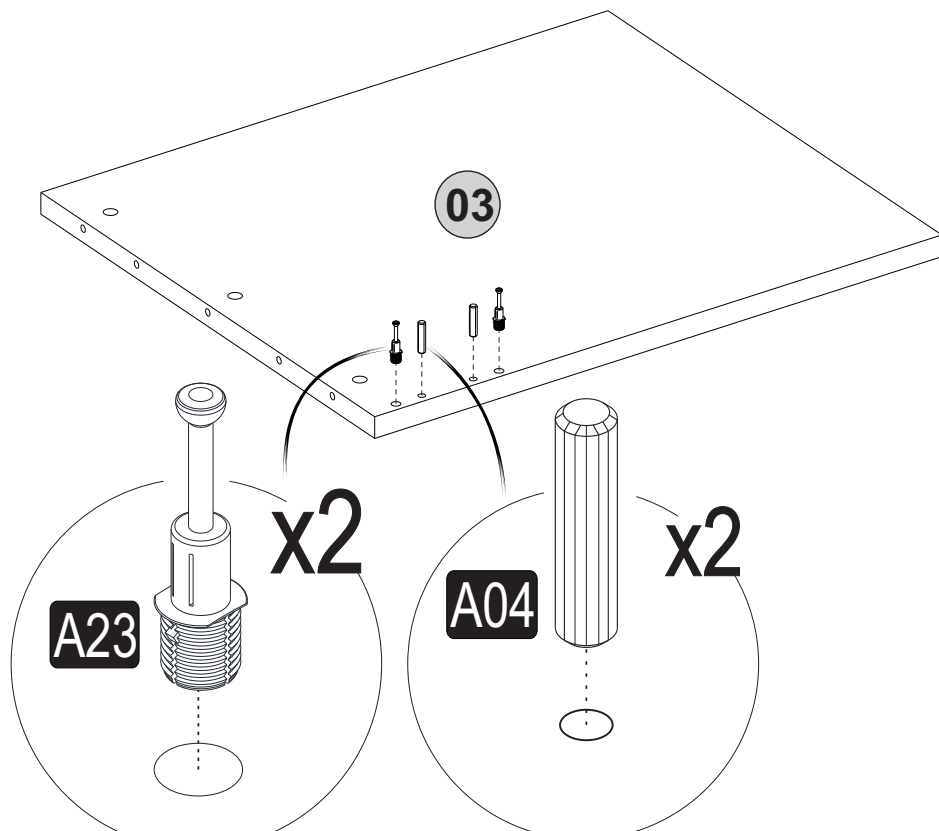
8  
x2



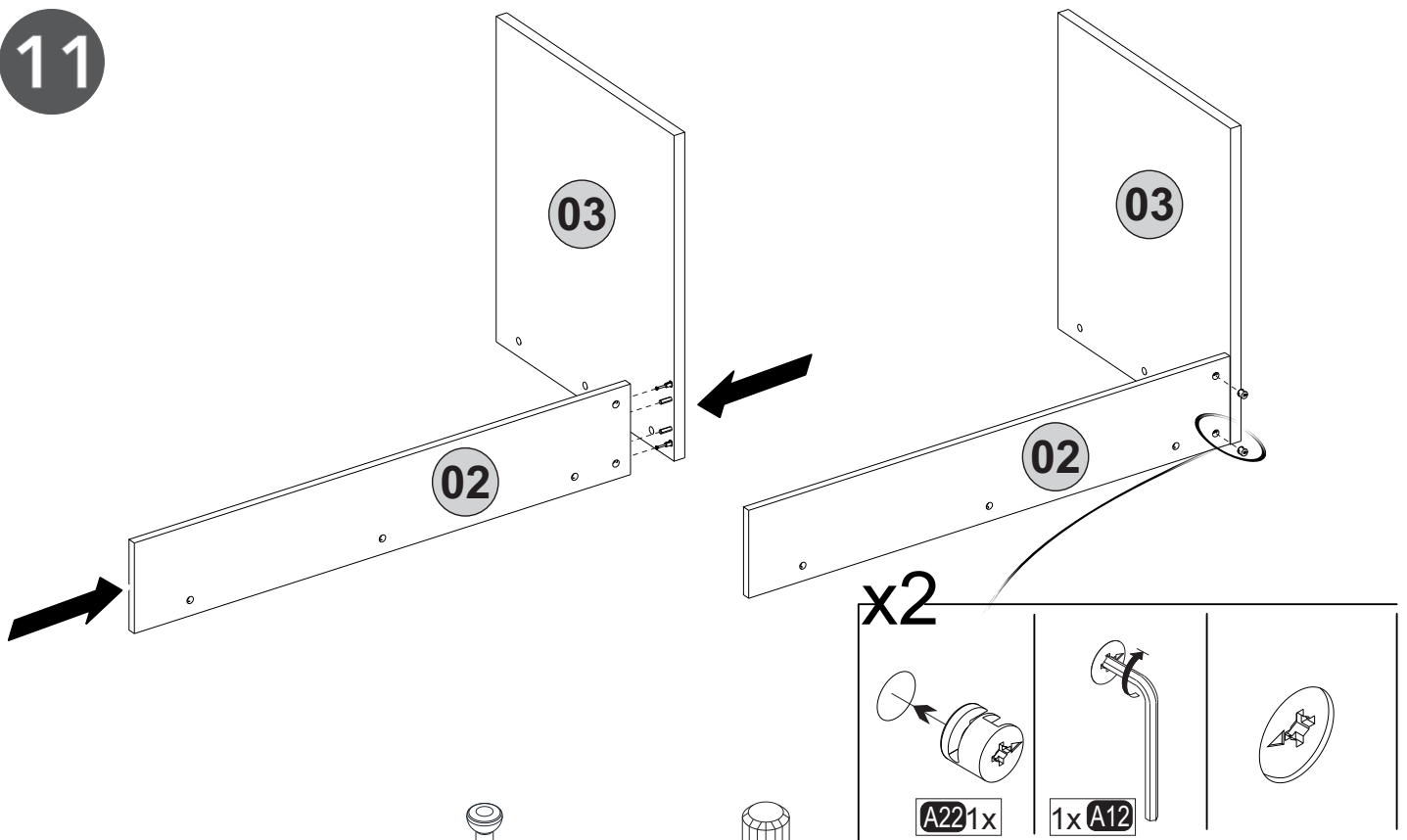
**9**  
**x2**



**10**



11



12

