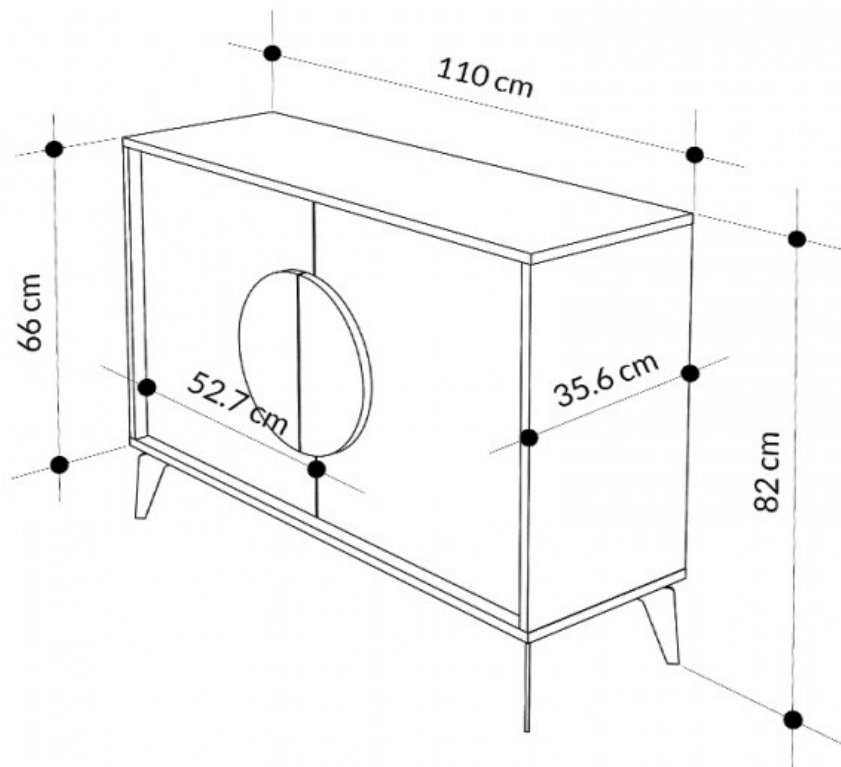
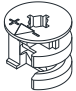
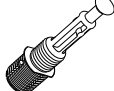

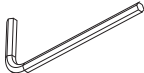

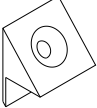

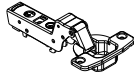


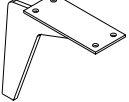



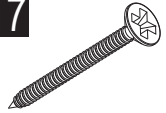
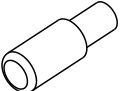

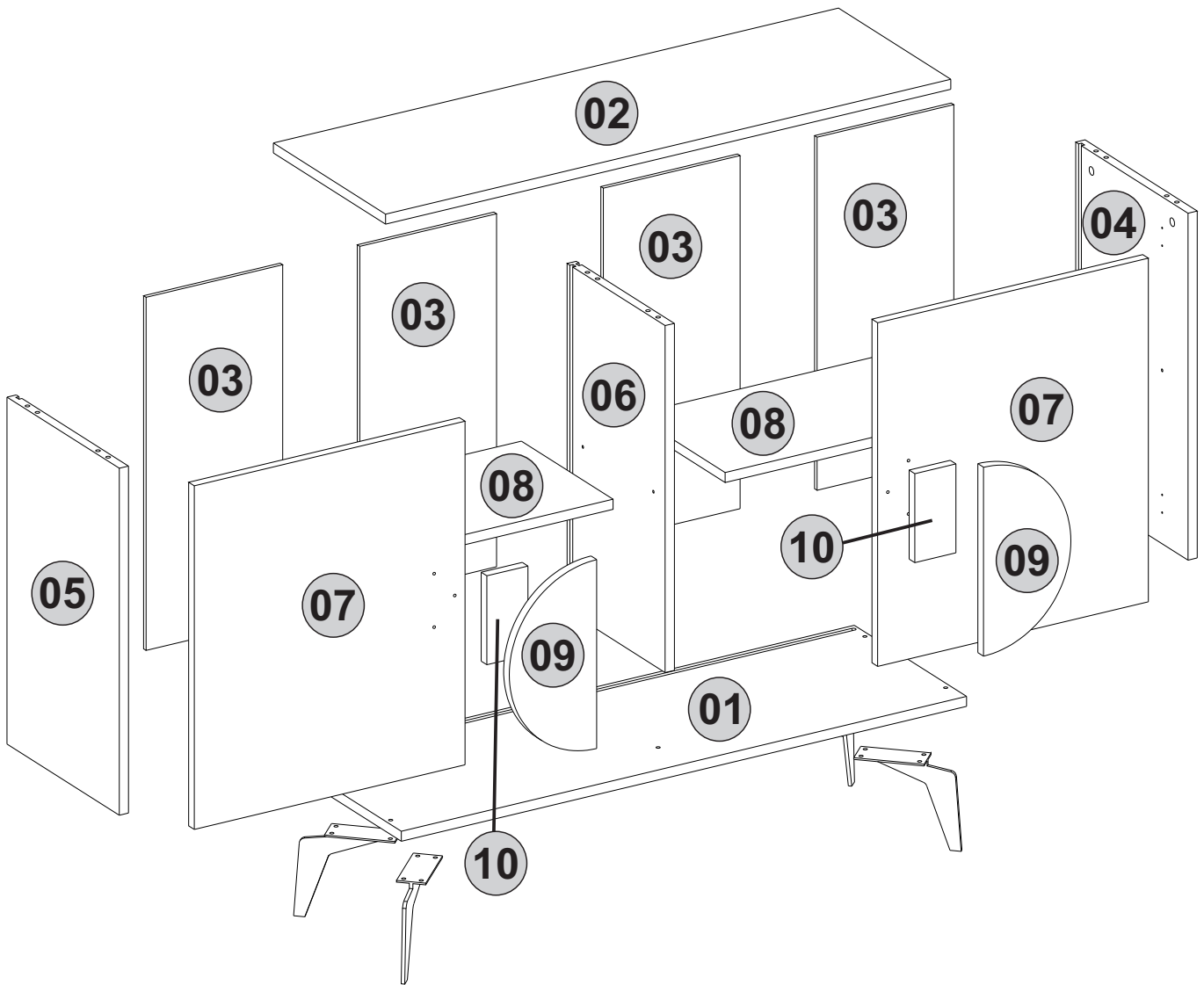


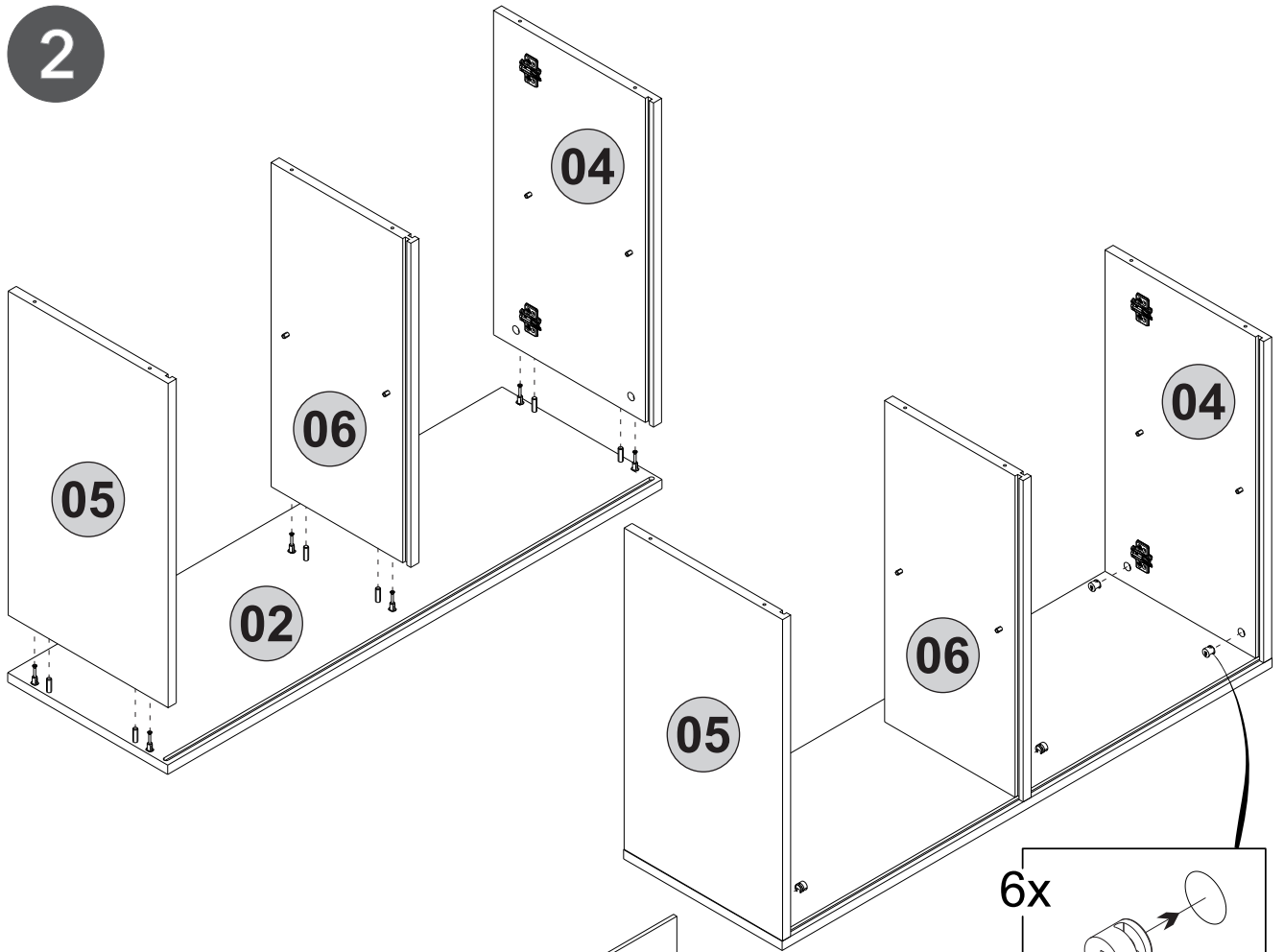
i GP037-0082,1



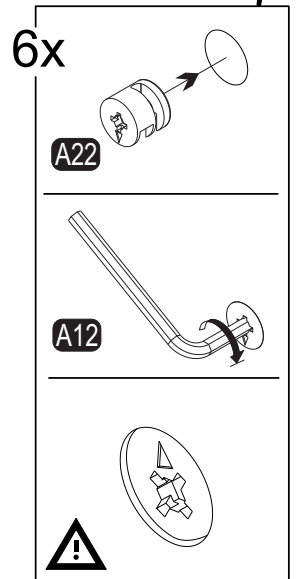
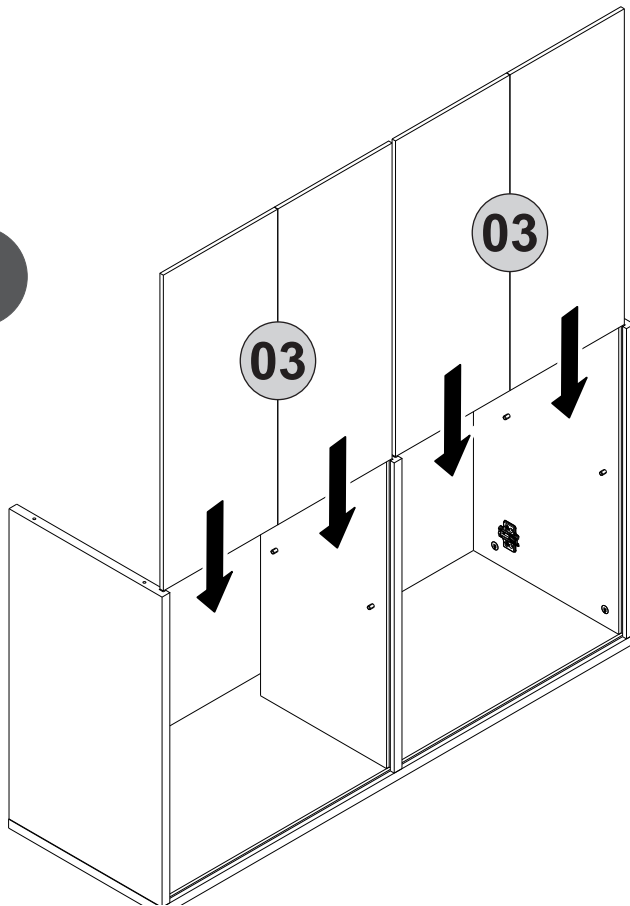
A22 Minifix k18  6x	A23 Minifix M10  6x	A04 Ø8  6x	A12 Allen  1x	A13 50mm  6x
A25 ARK.PL  16x	A18 3,5x18  40x	C16 Sdb(S)  2x	C19 SdbF(S)  2x	C20 Mtk(S)  4x
Z71 LEG  4x	B15 15 (black)mm  16x	A69 P.D.  16x	A75 5x13  6x	A17 4X50  6x
A48 Raf Pimi  8x	A06 18mm  C1-12x C2-06x			



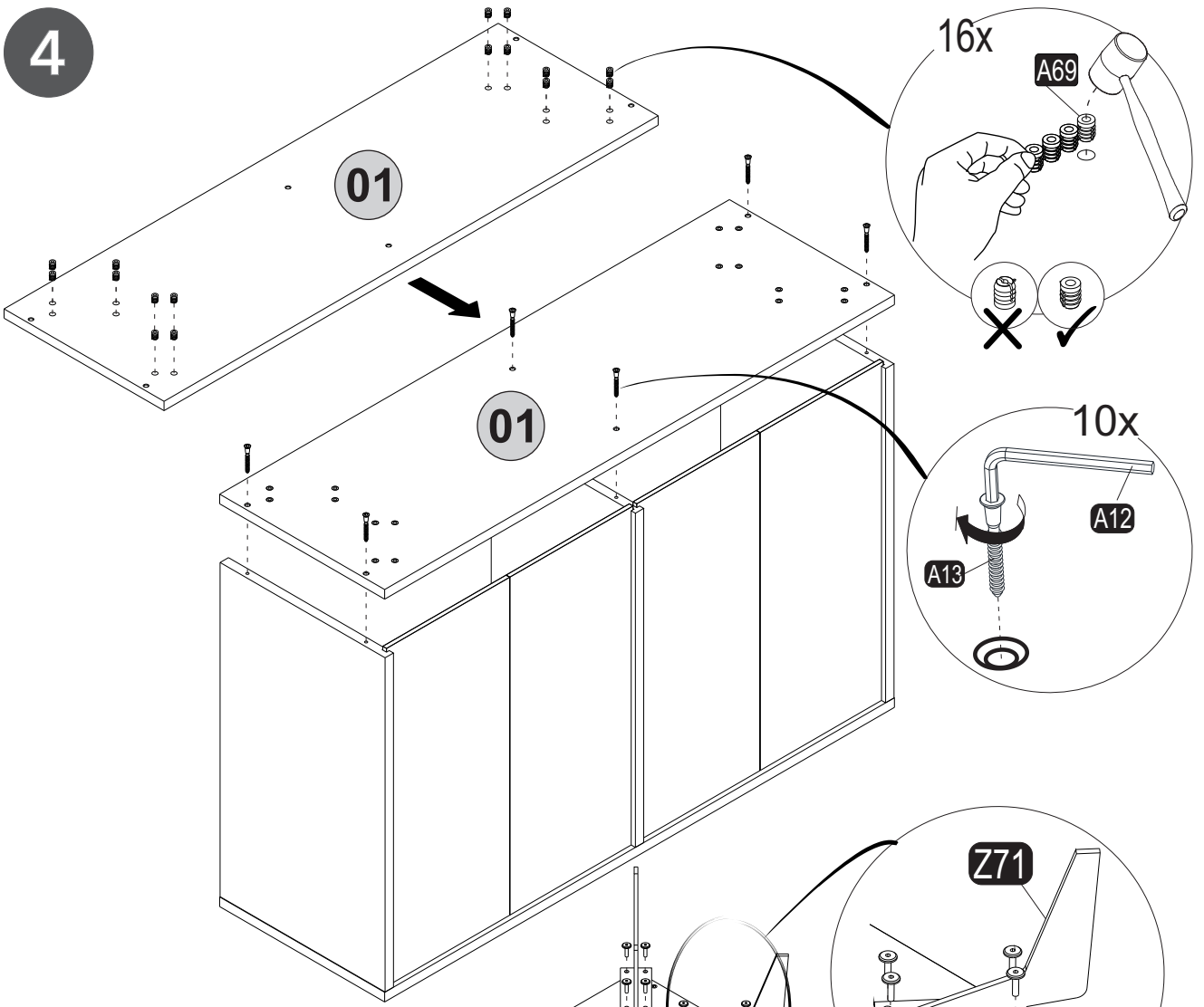
2



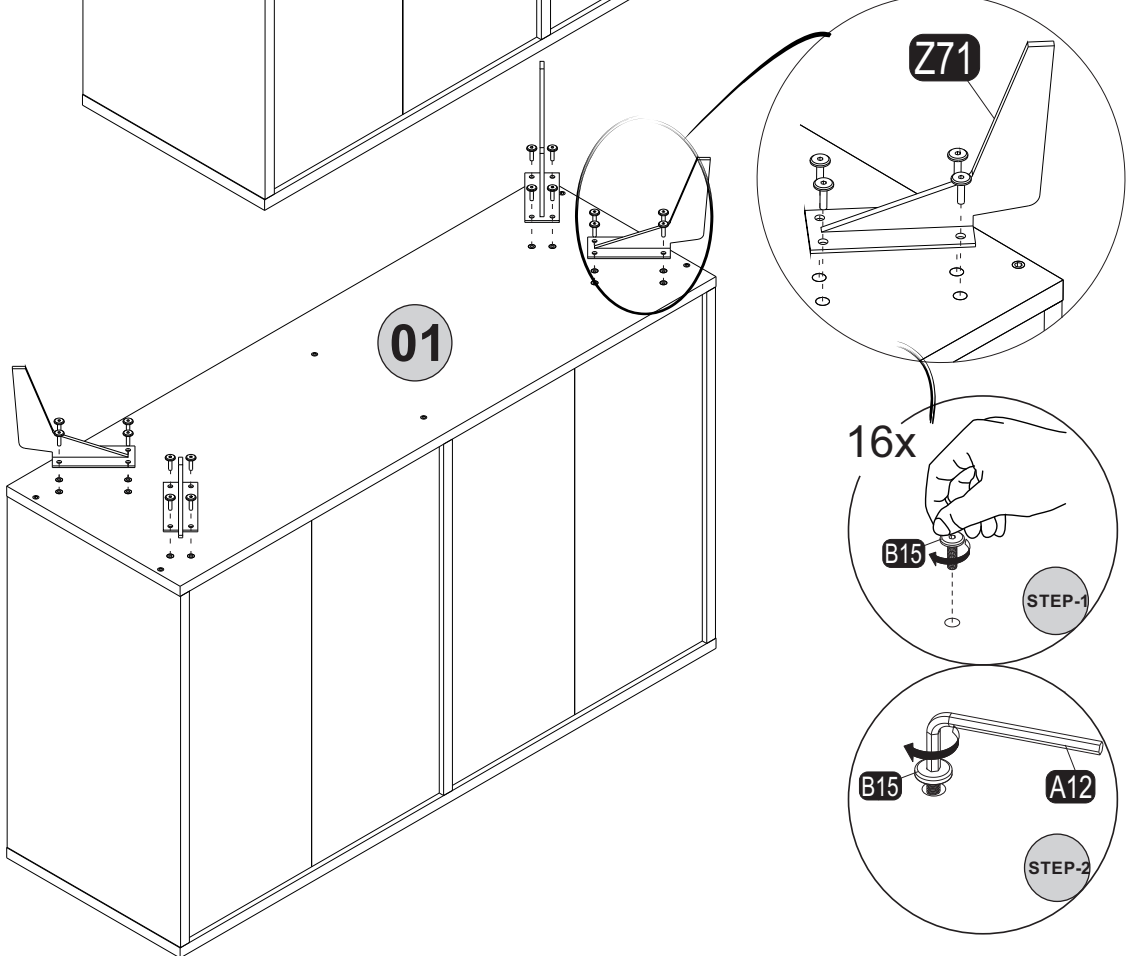
3

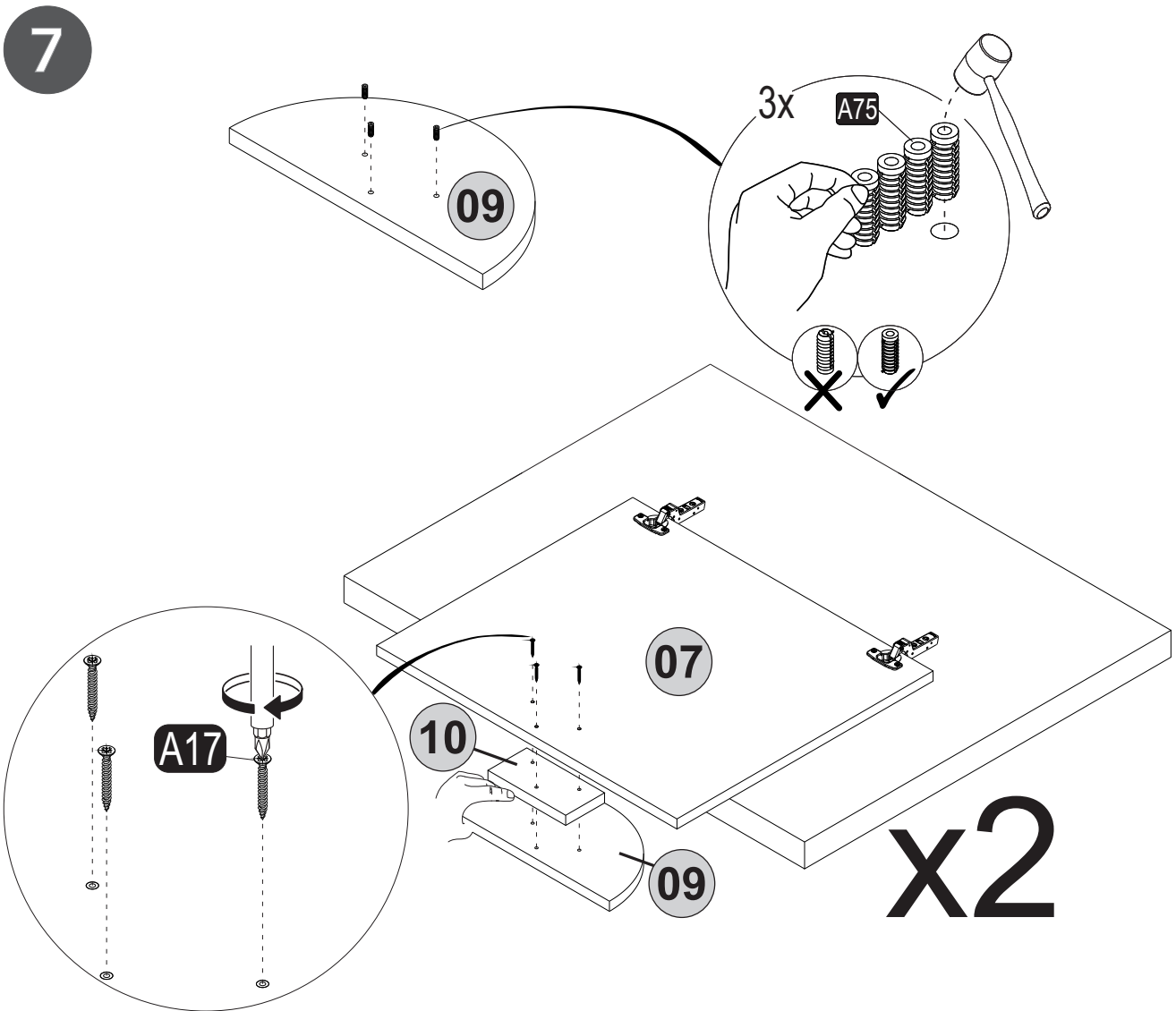
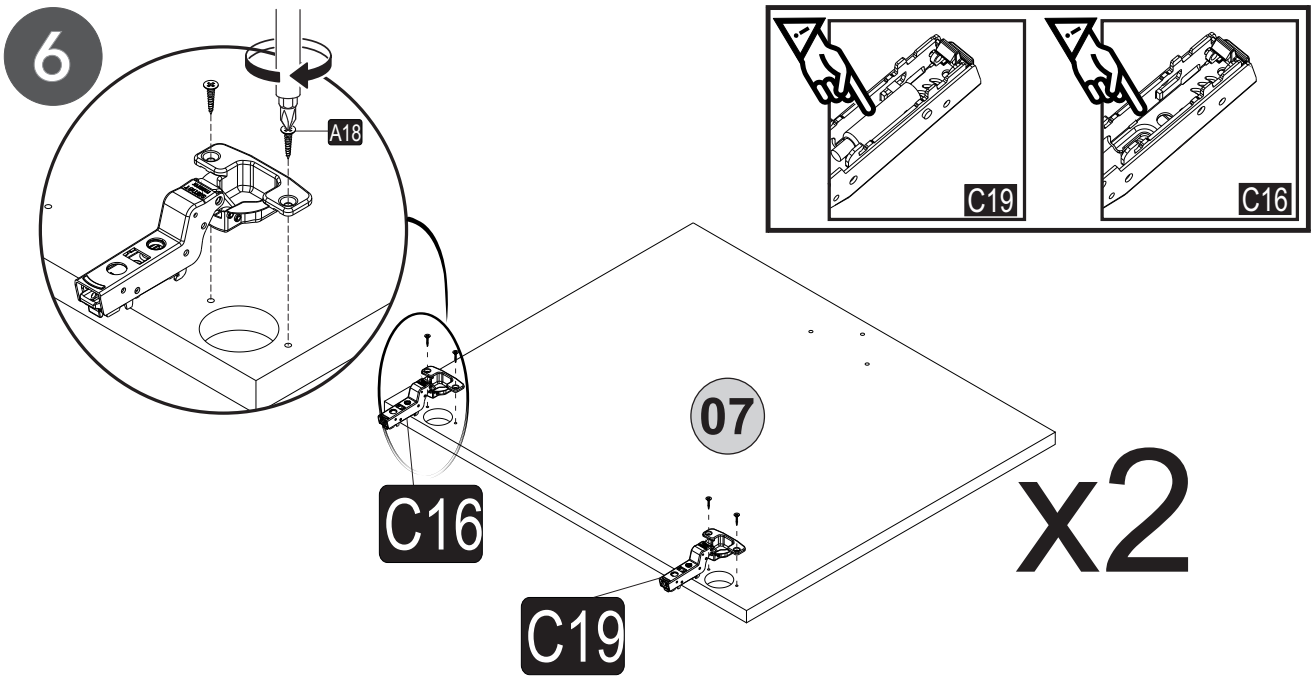


4

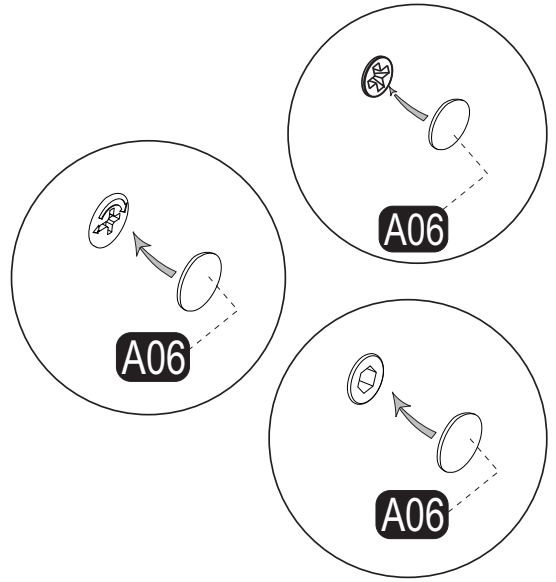
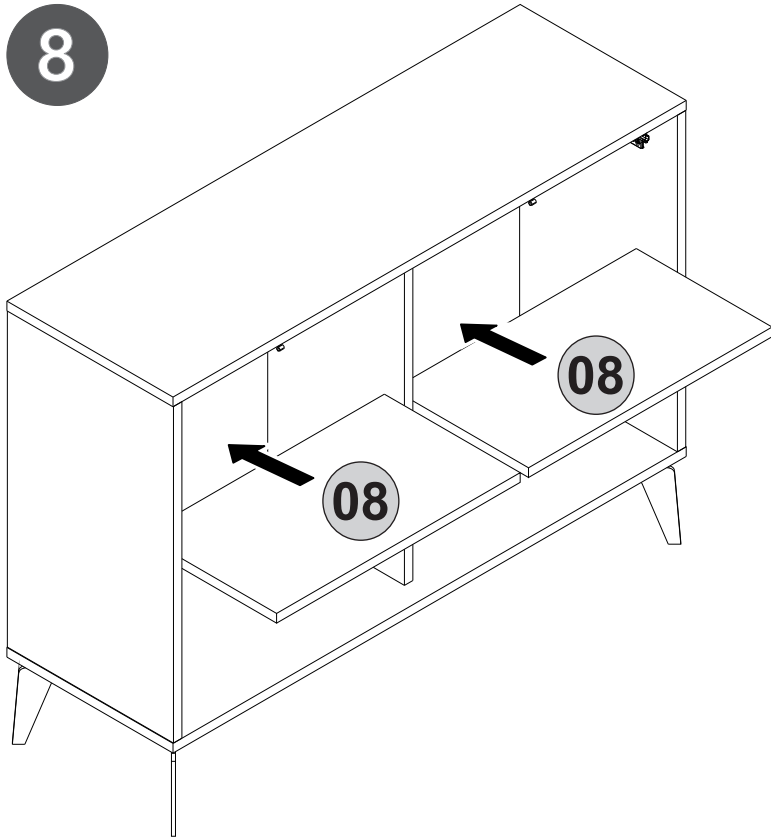


5

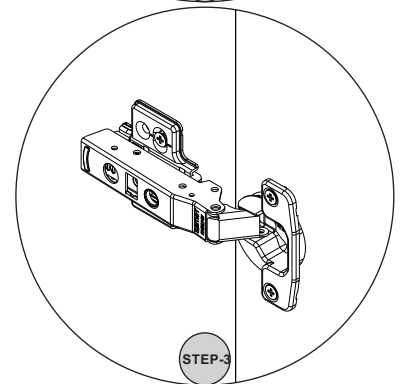
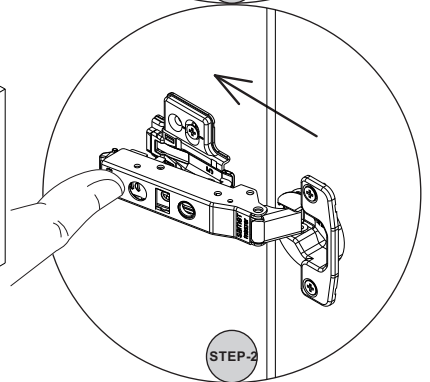
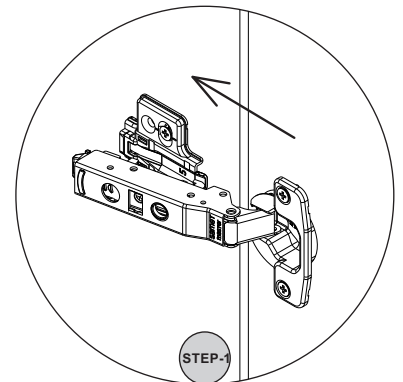
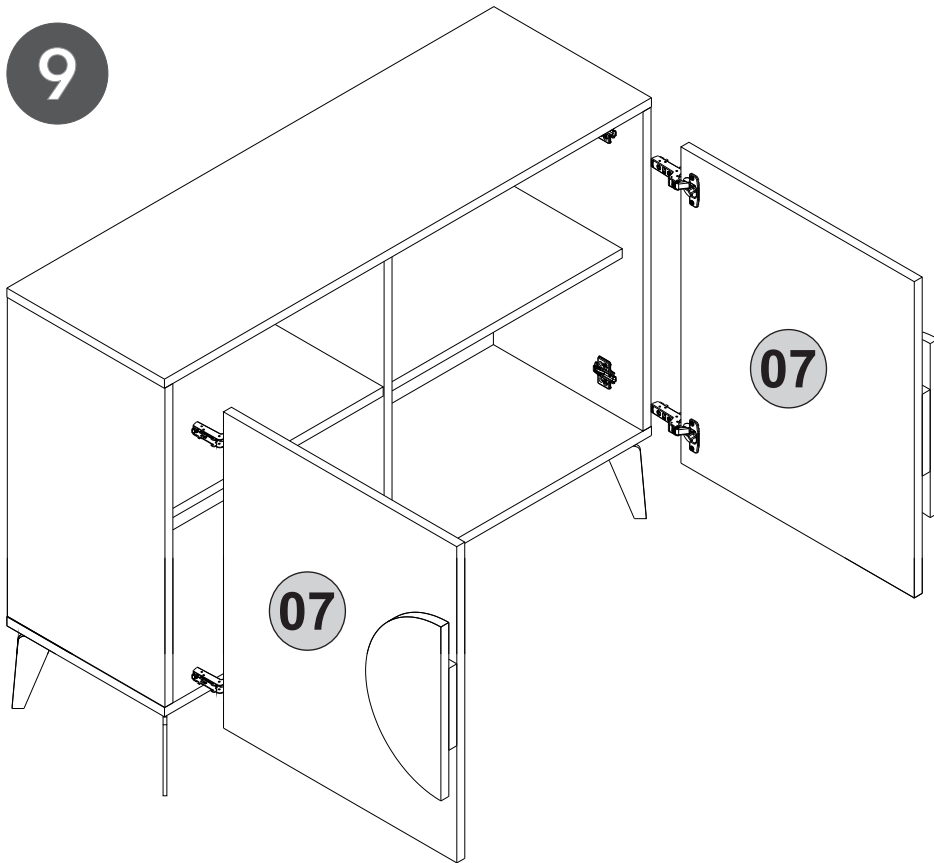




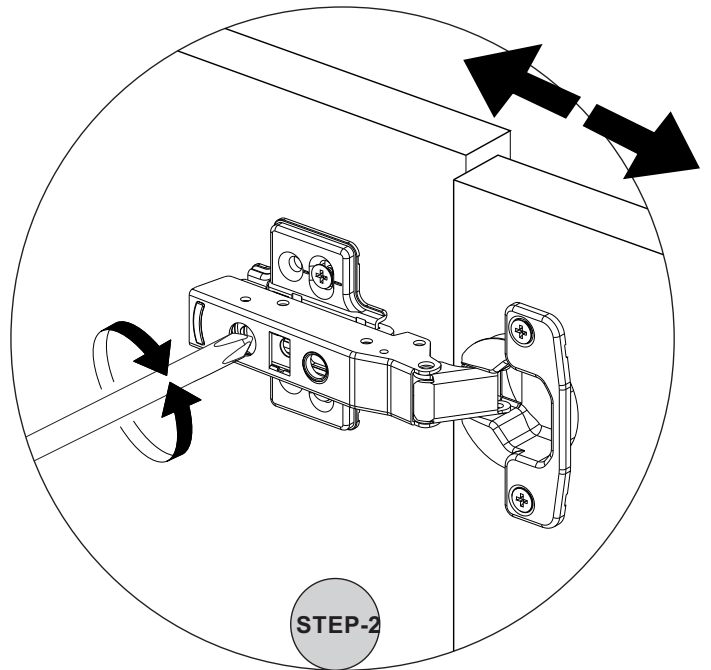
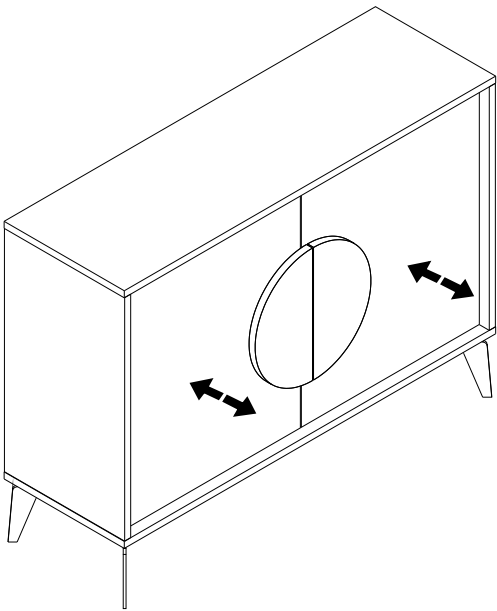
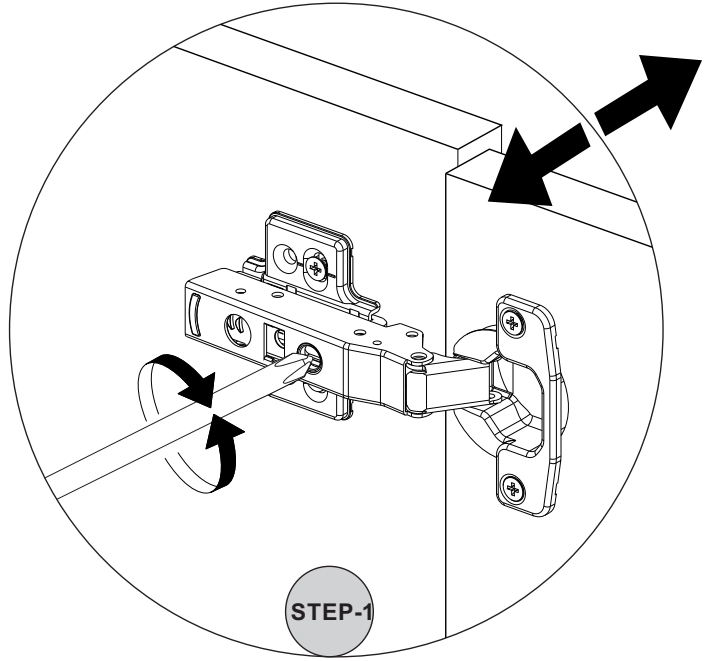
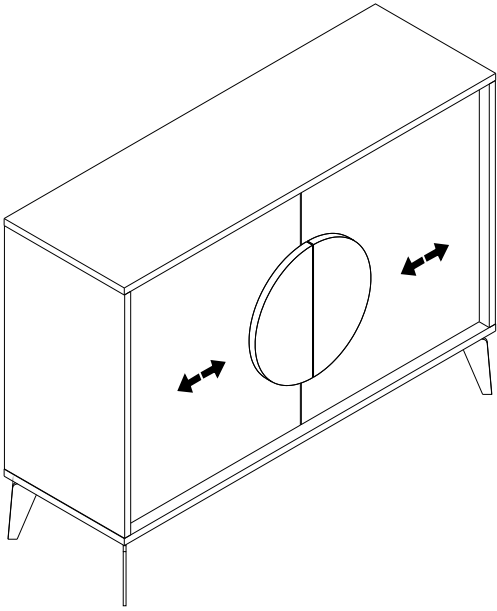
8



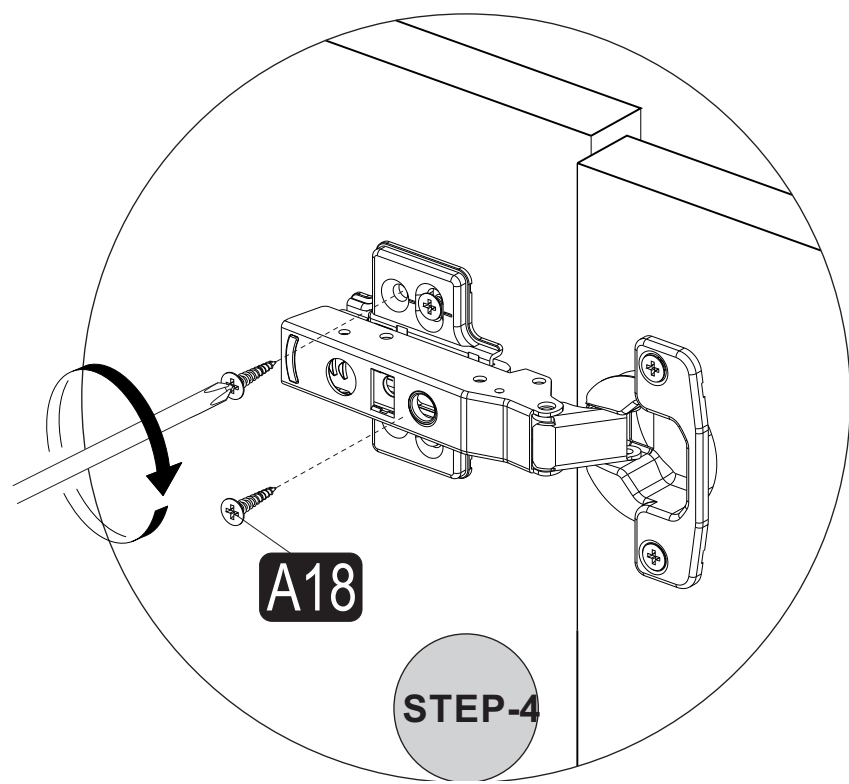
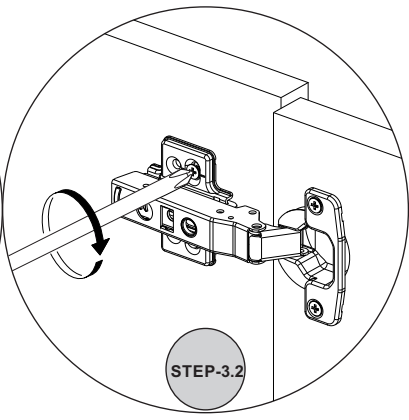
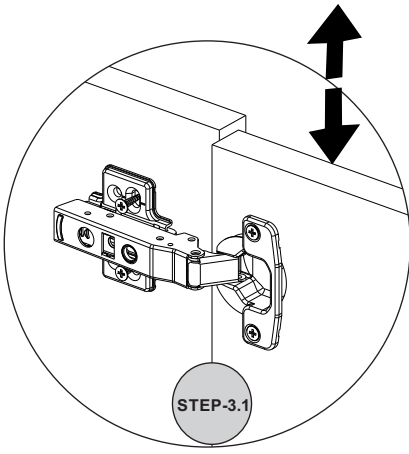
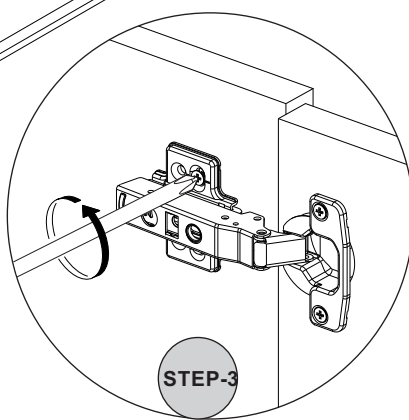
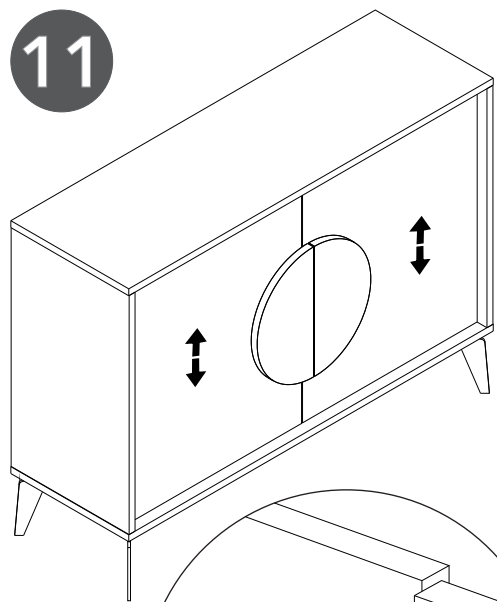
9



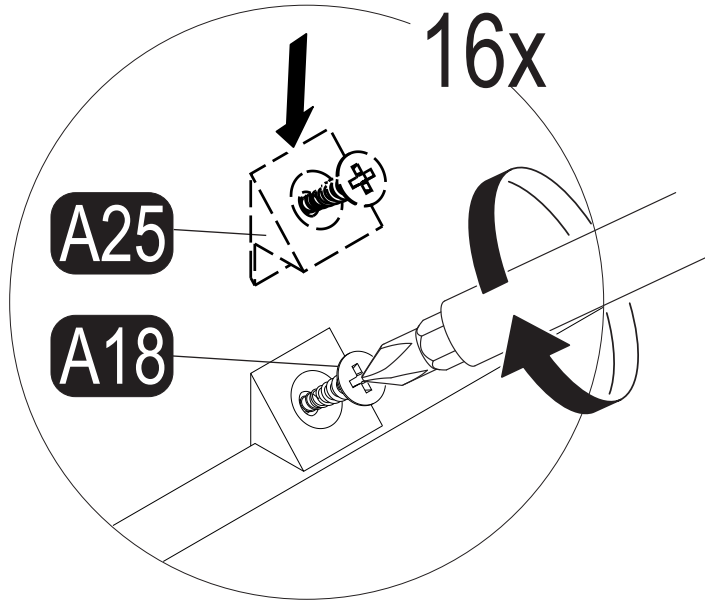
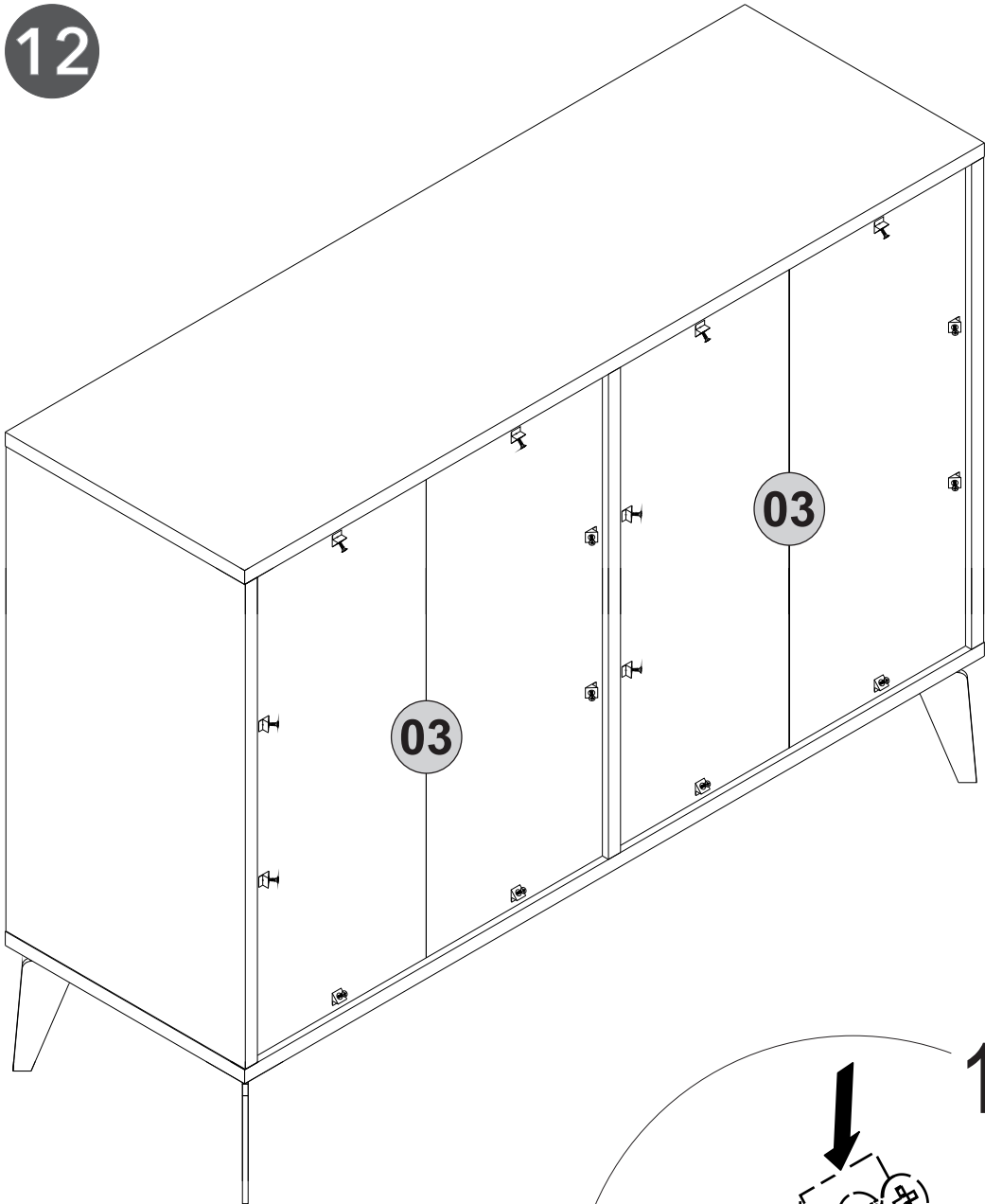
10





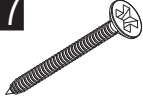


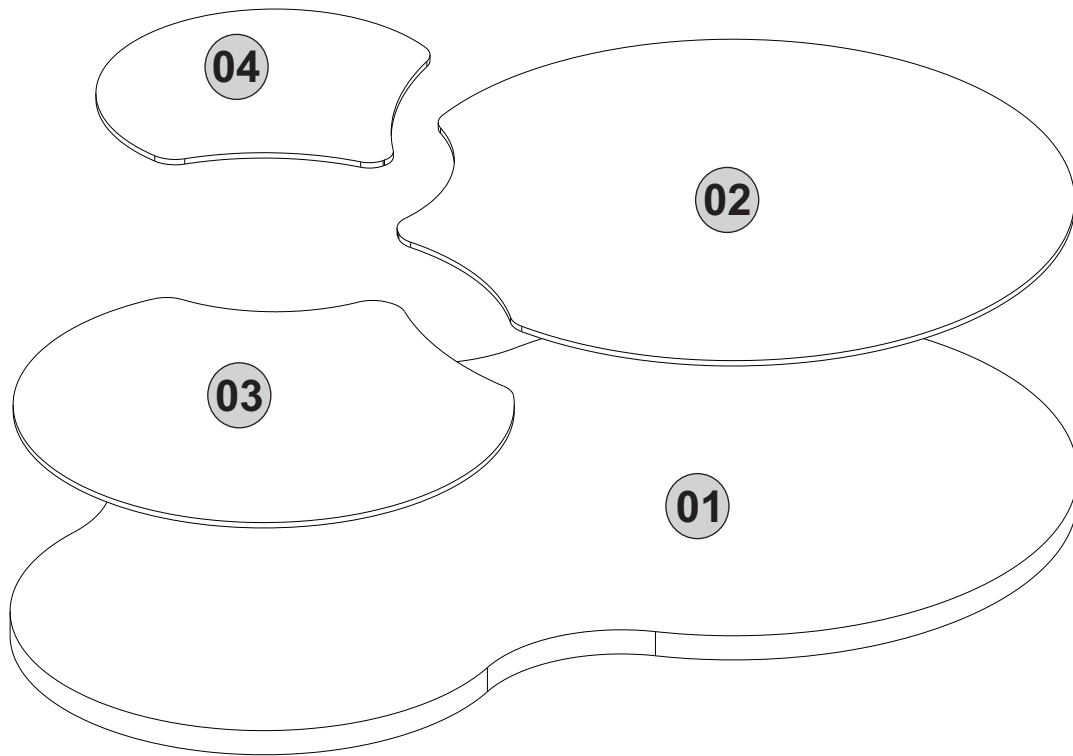
11

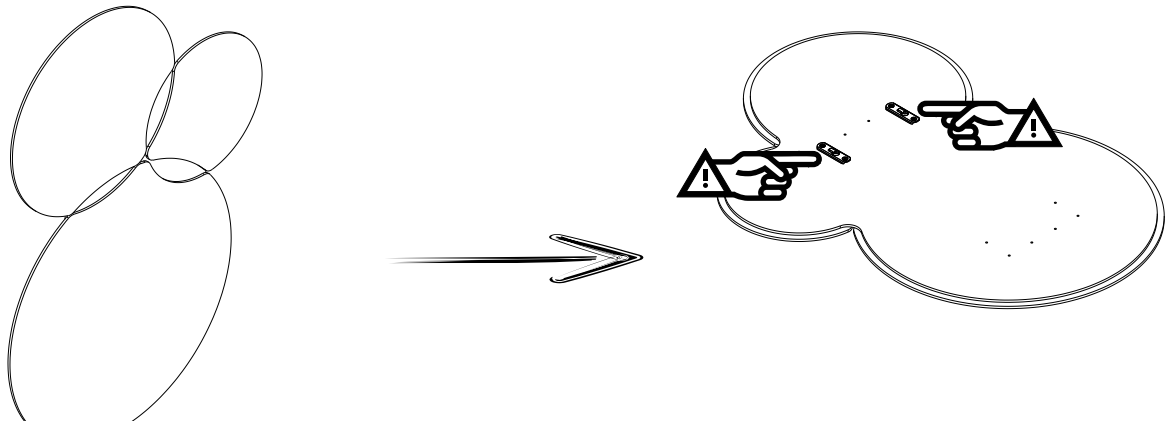
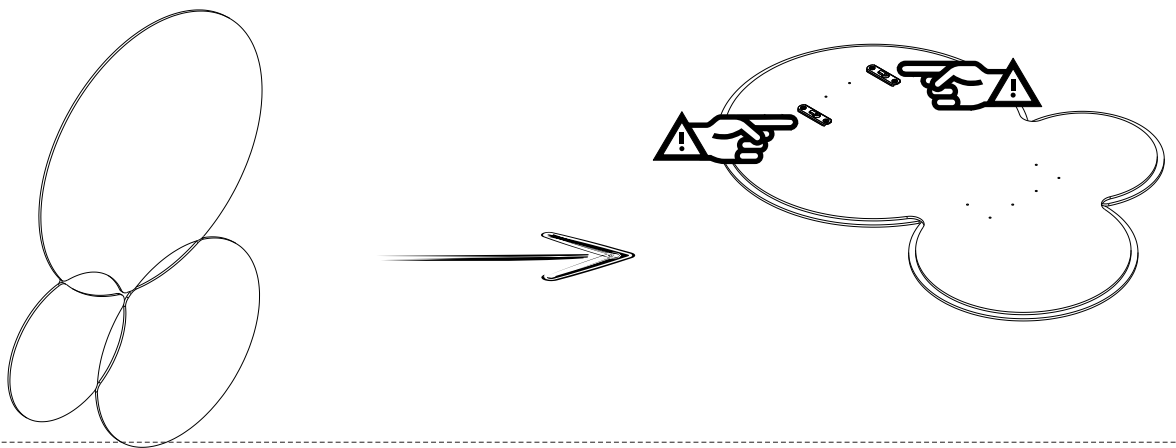
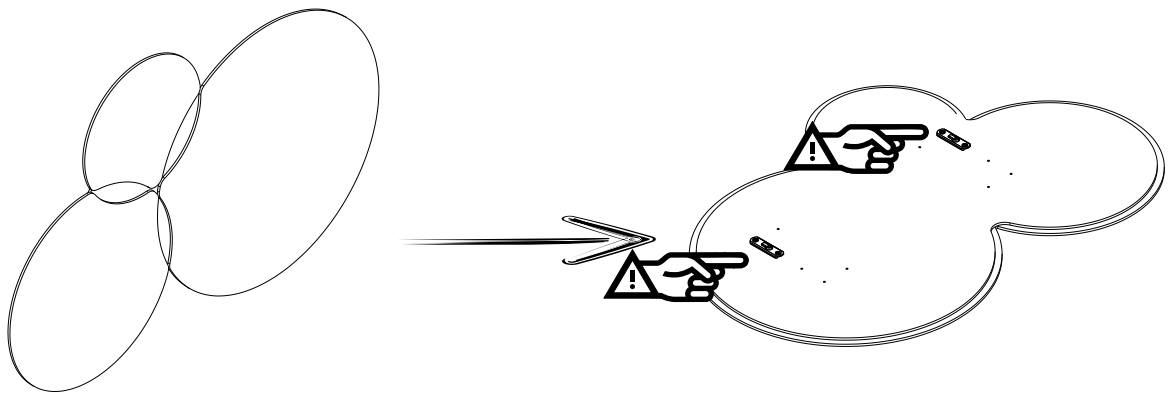
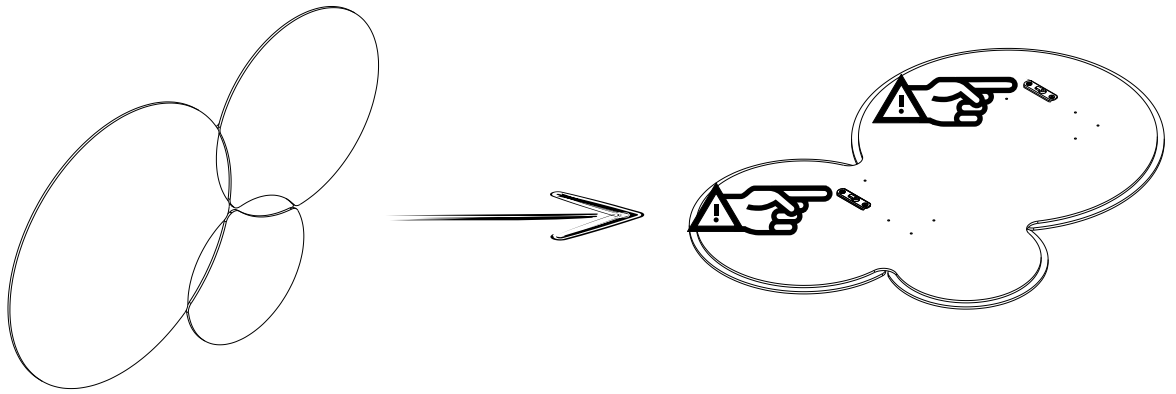


12

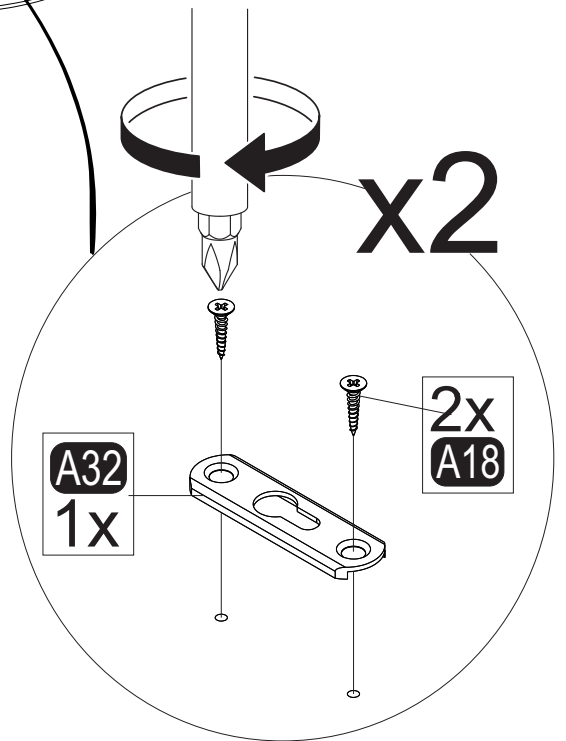
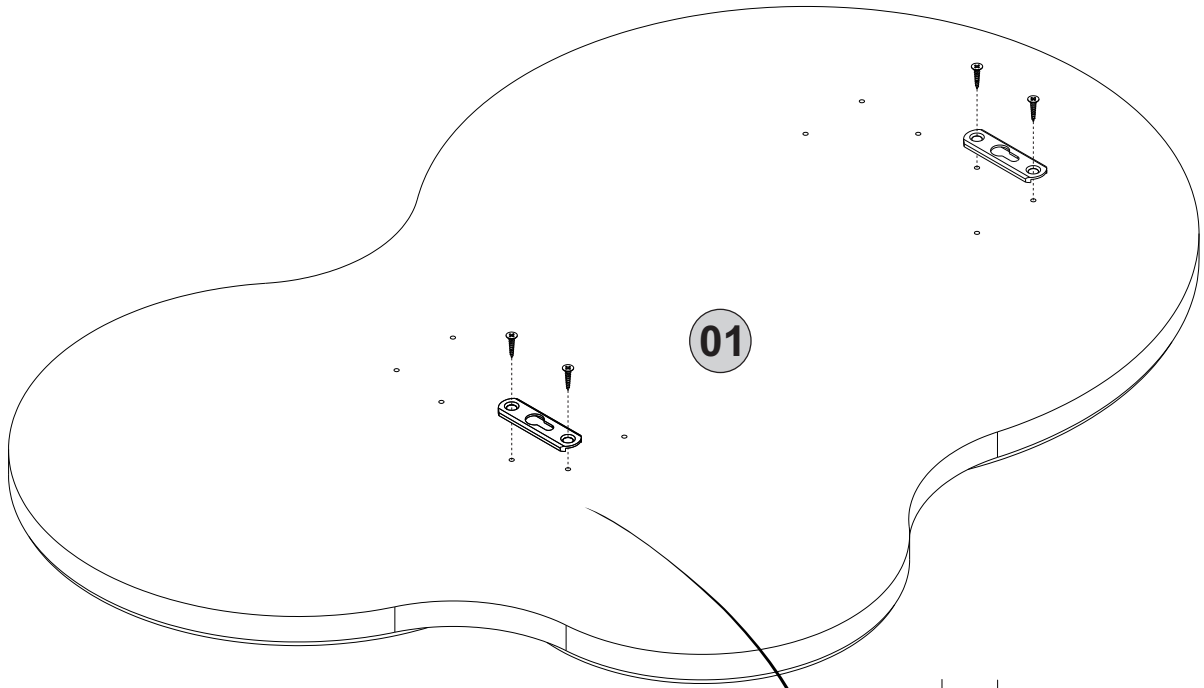


A32  60/16 2x	A18  3,5x18 4x	Z18  Gbdy 2x	A16  DbØ8 2x	A17  4X50 2x
---	--	--	---	--

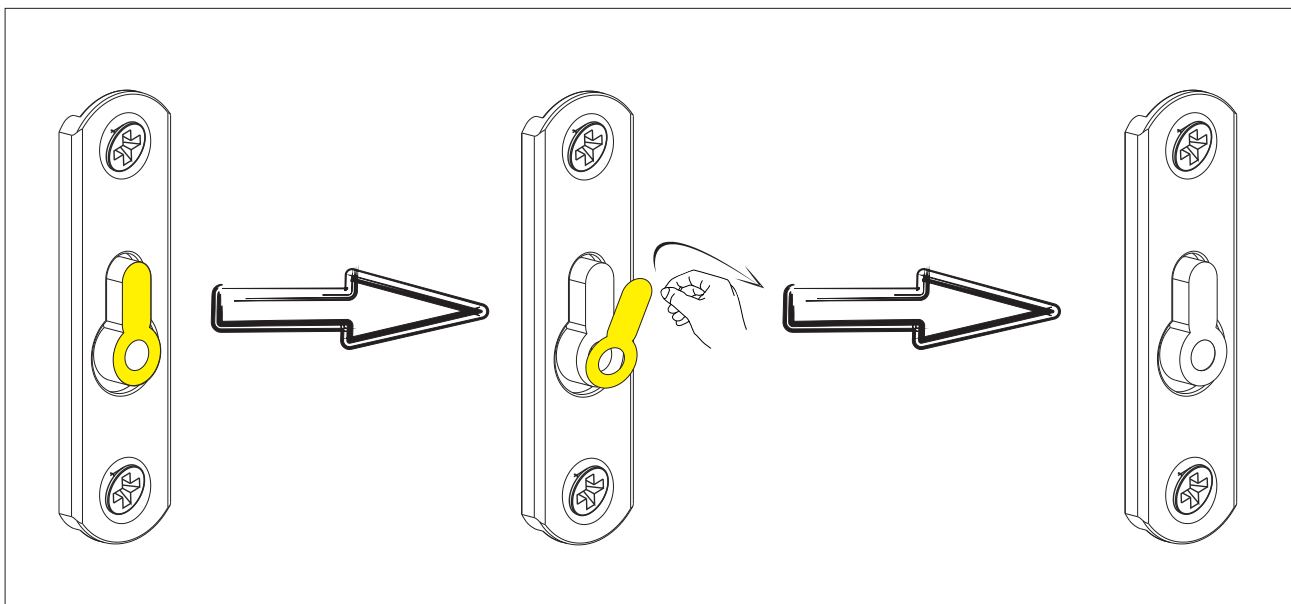
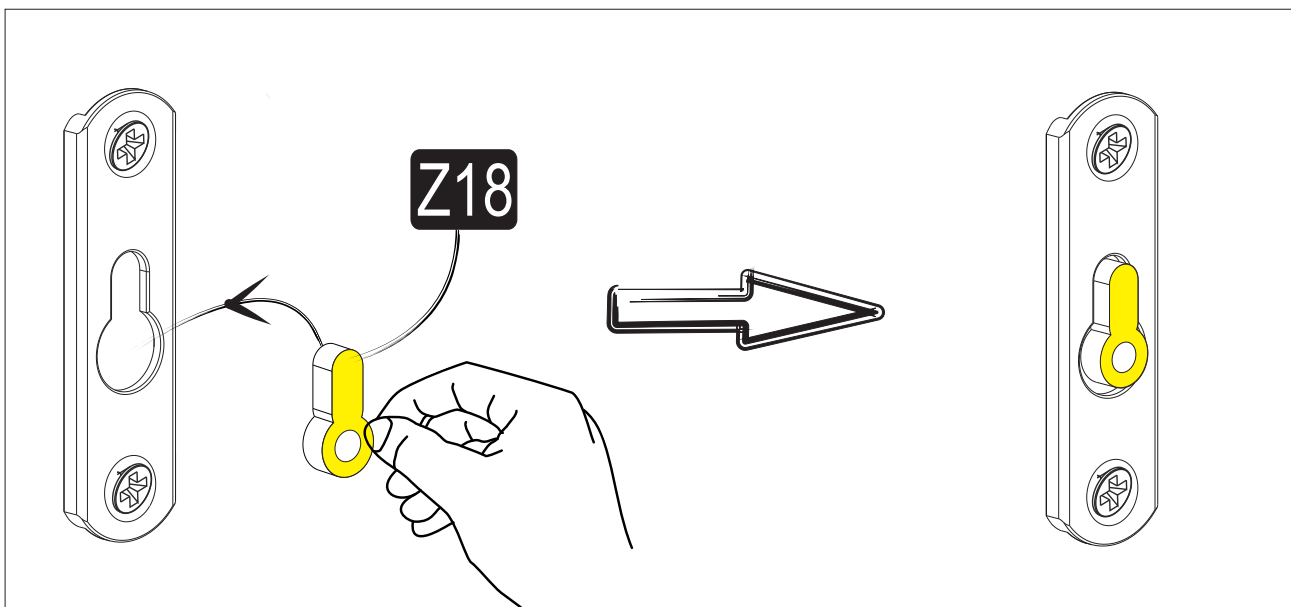




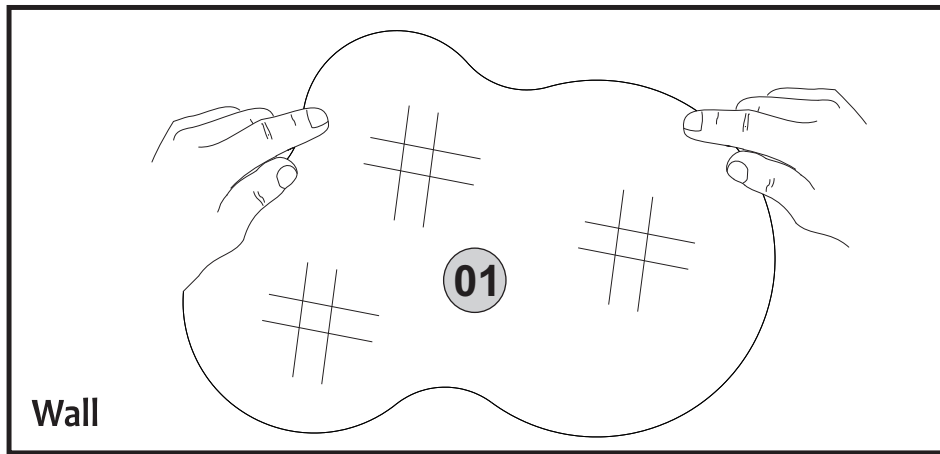
1



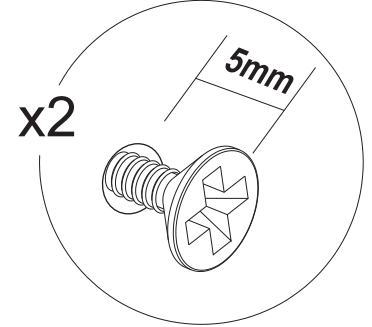
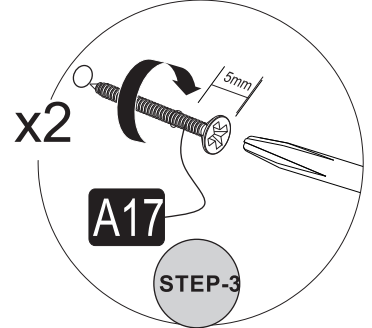
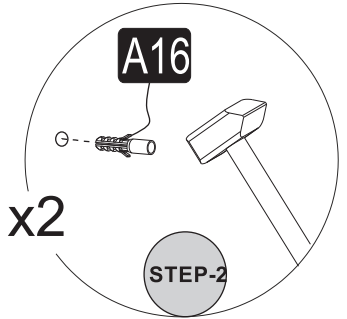
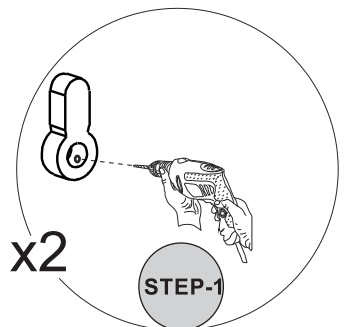
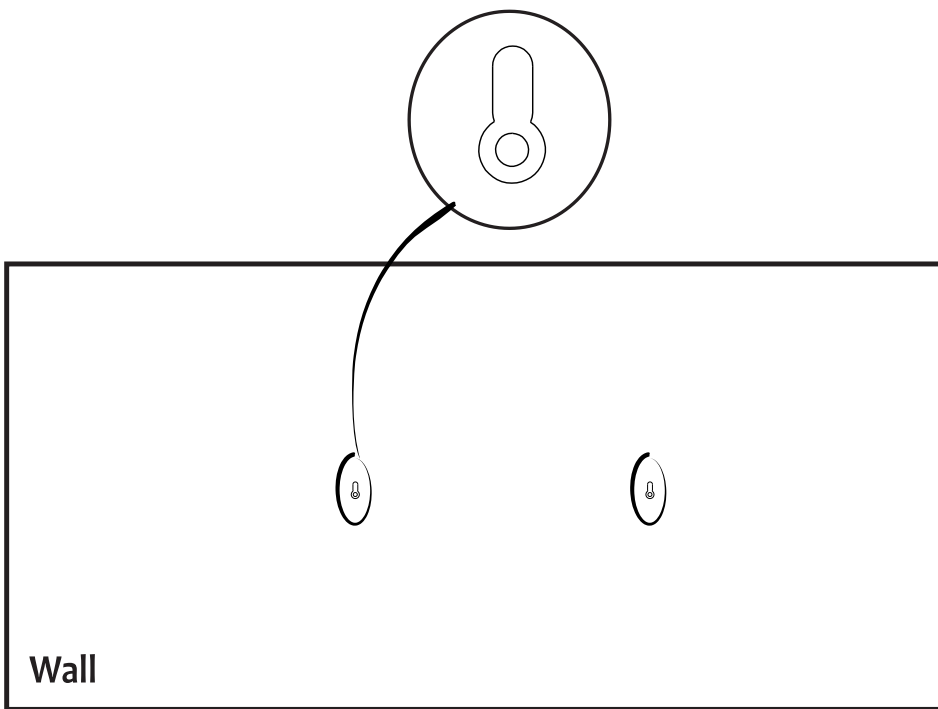
2
x2



3



4



5

