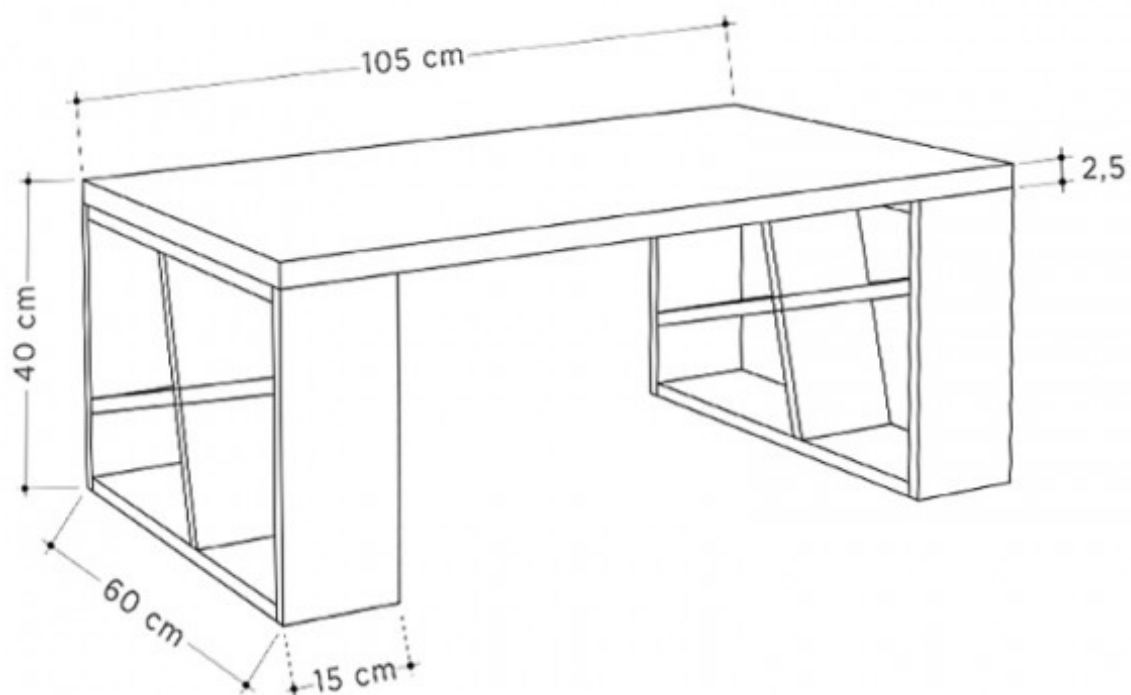
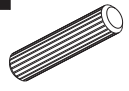
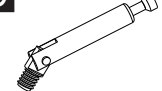

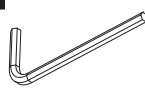
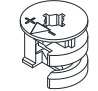

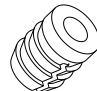

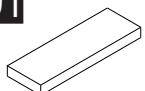
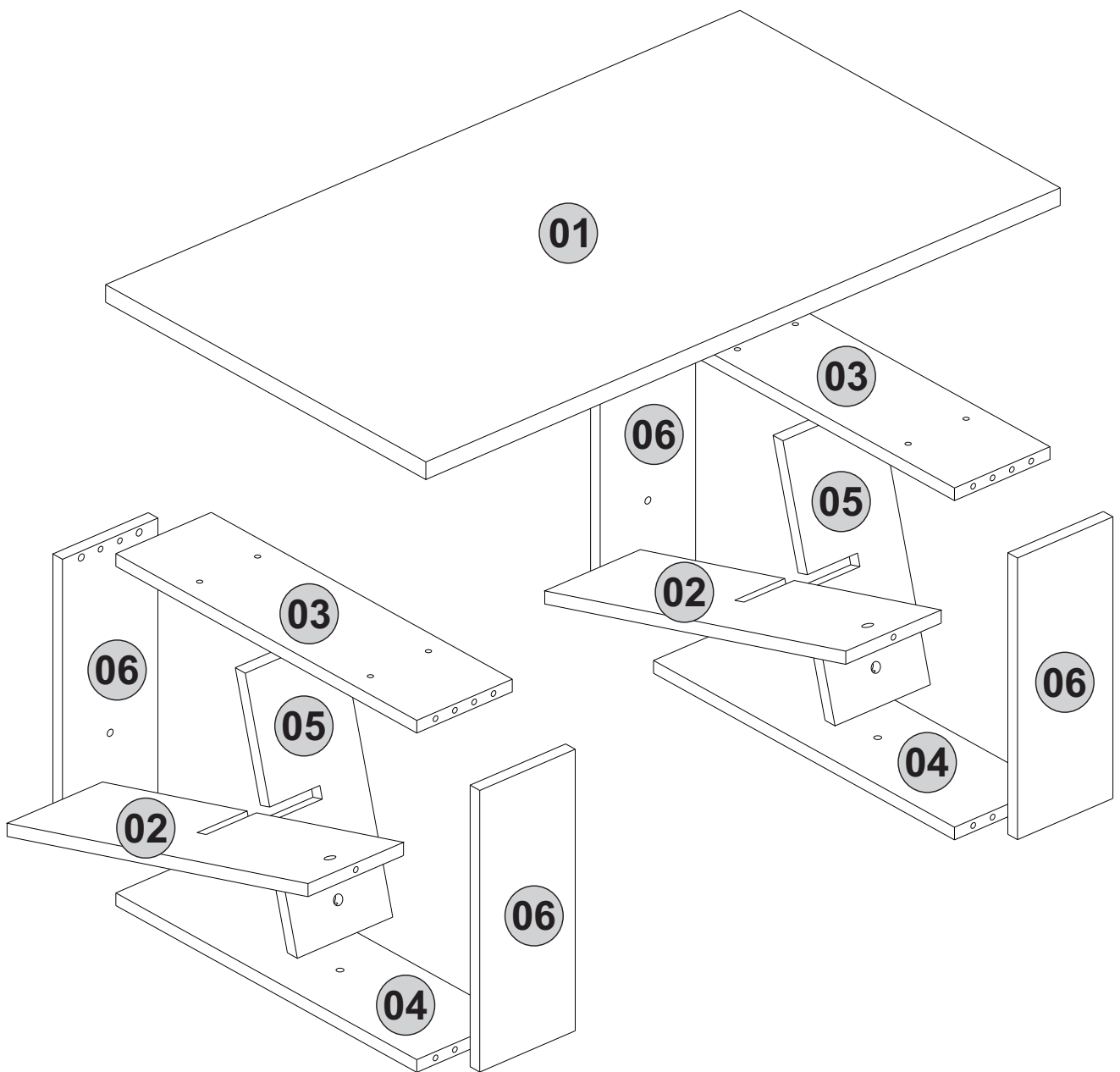


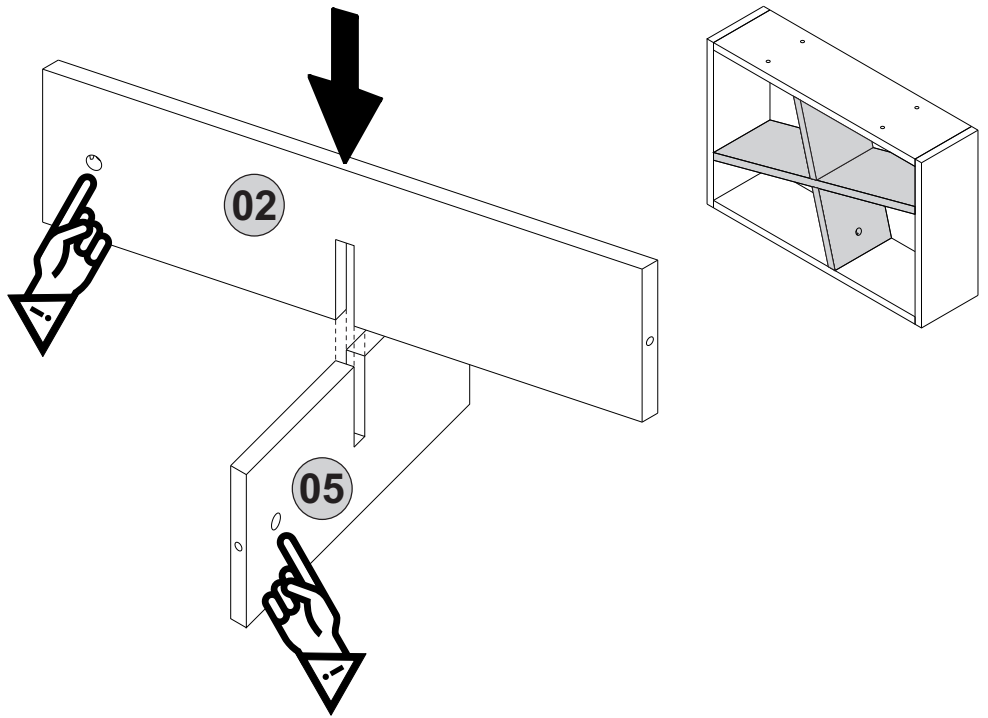
**i** GP037-0088,4



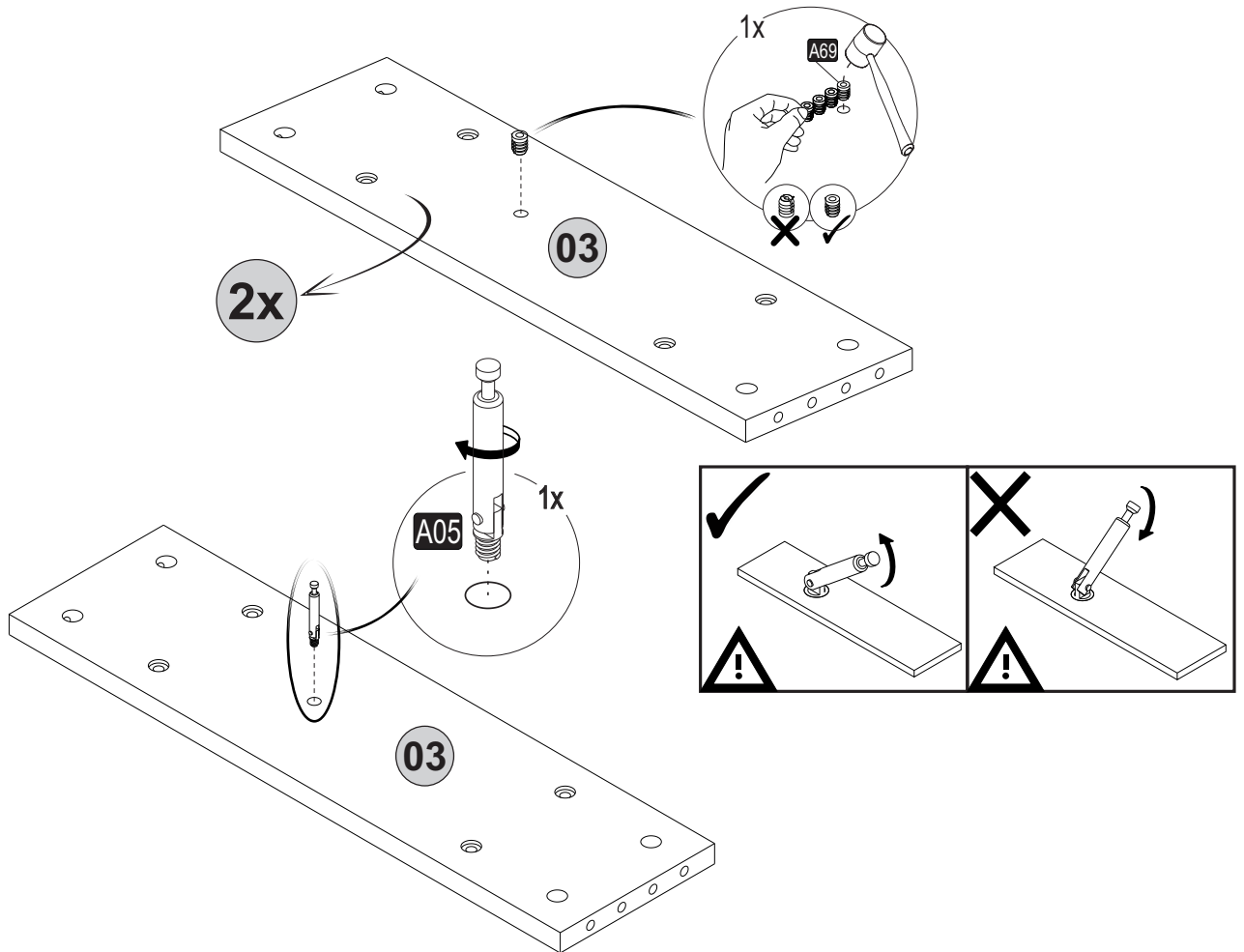
<b>A04</b>  16x	<b>A05</b> Minifix M6  8x	<b>A06</b> 18mm  C2-32x	<b>A12</b> Allen  1x	<b>A22</b> Minifix k18  24x
<b>A23</b> Minifix M10  16x	<b>A69</b> P.D.  16x	<b>B03</b> 25 mm  8x	<b>PB01</b> Kece  8x	



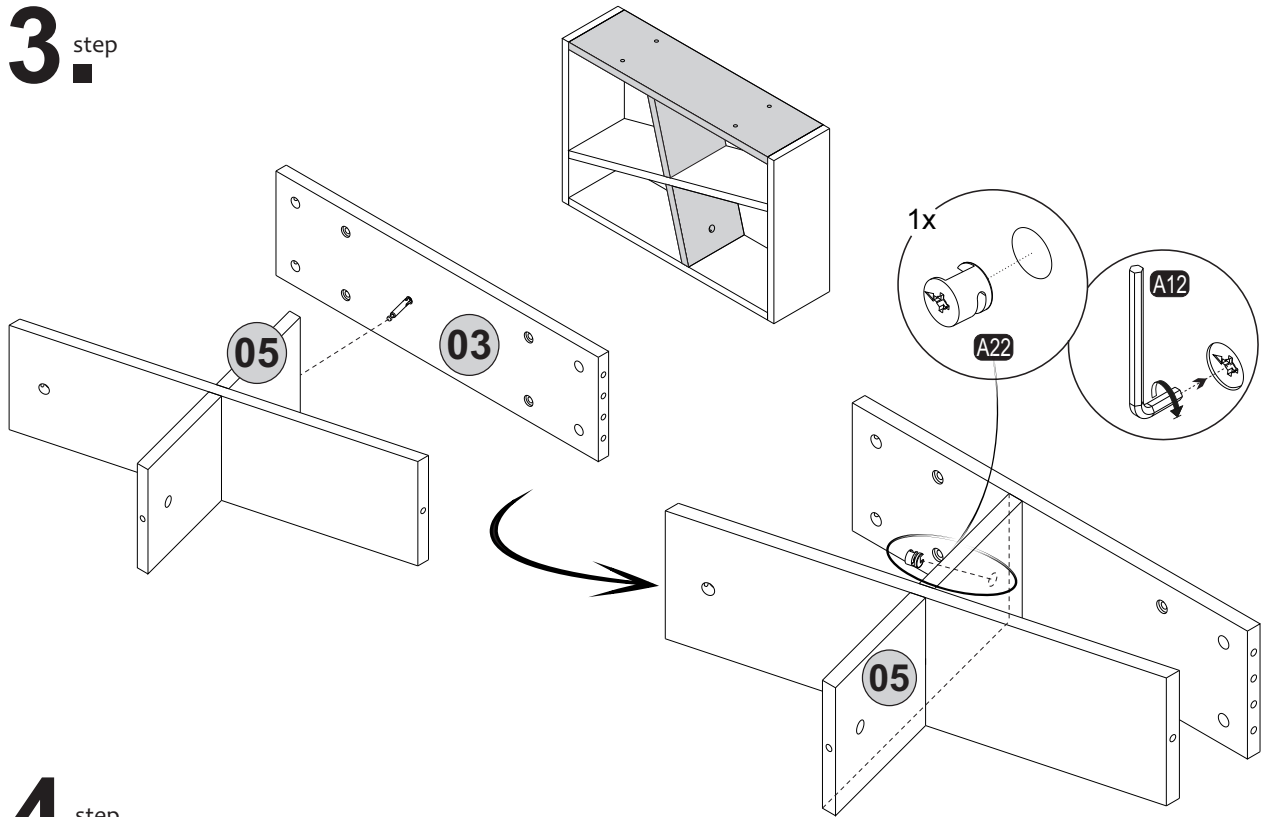
**1.** step



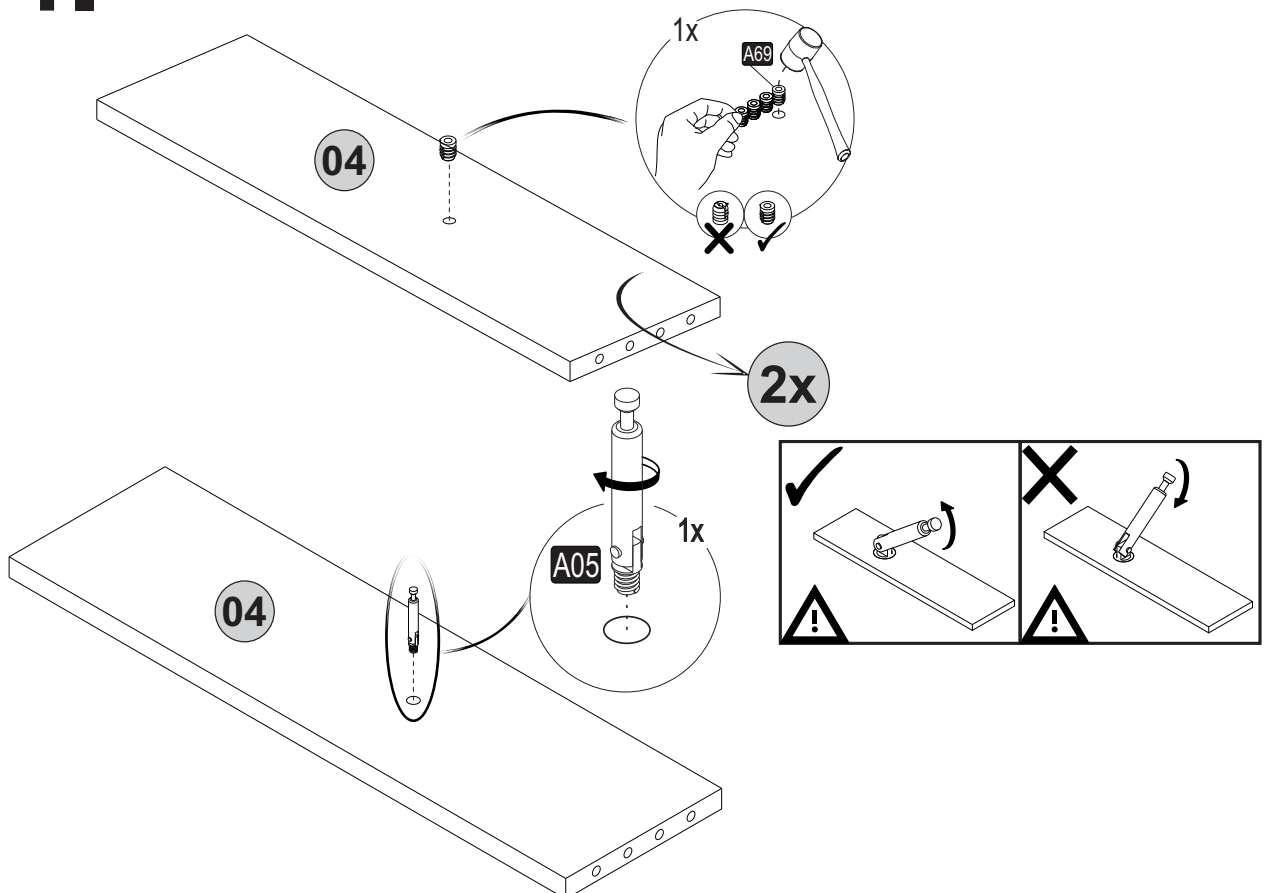
**2.** step



### 3. step

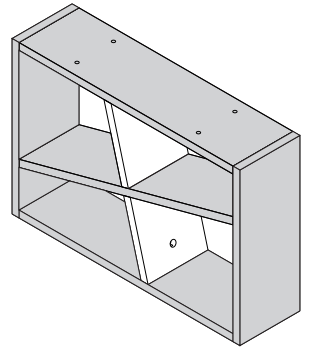
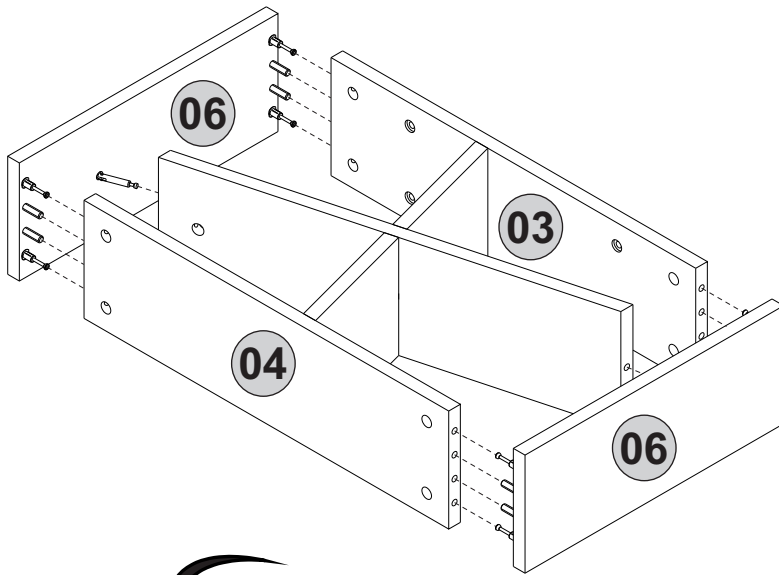


### 4. step

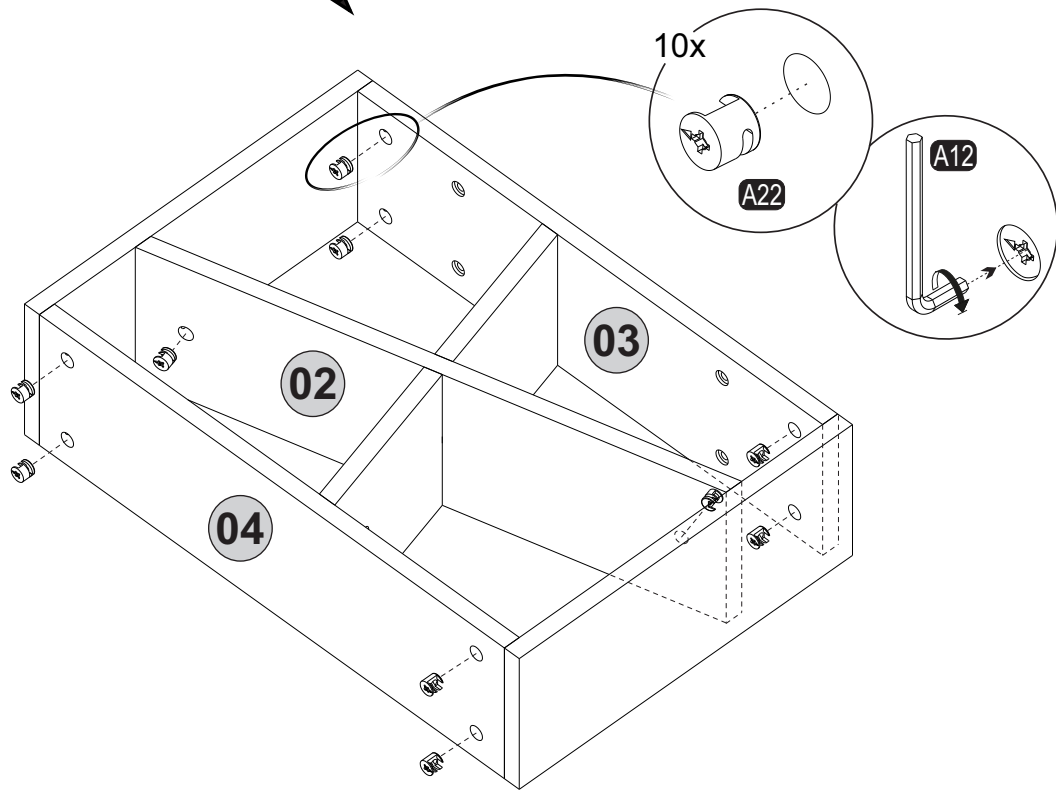




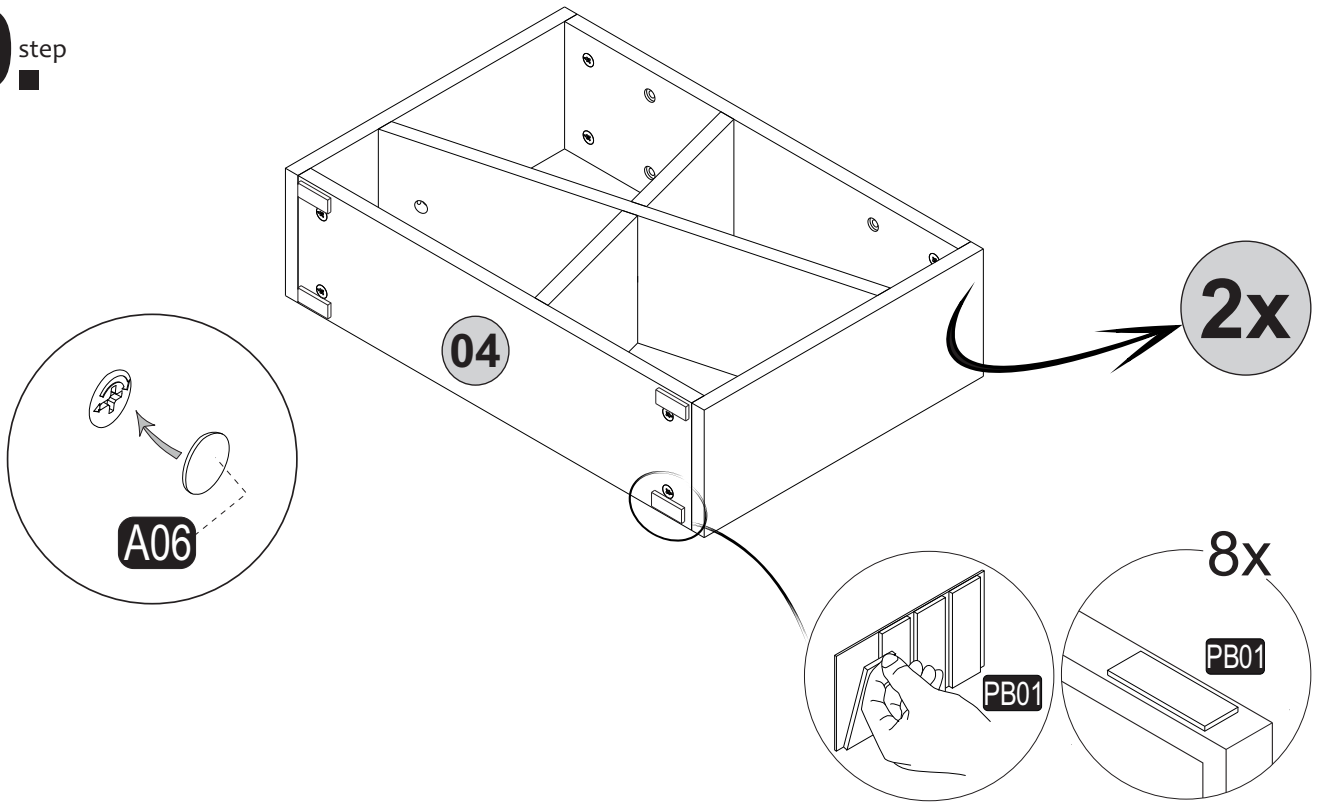
**7** step



**8** step



# 9<sub>step</sub>



# 10<sub>step</sub>

