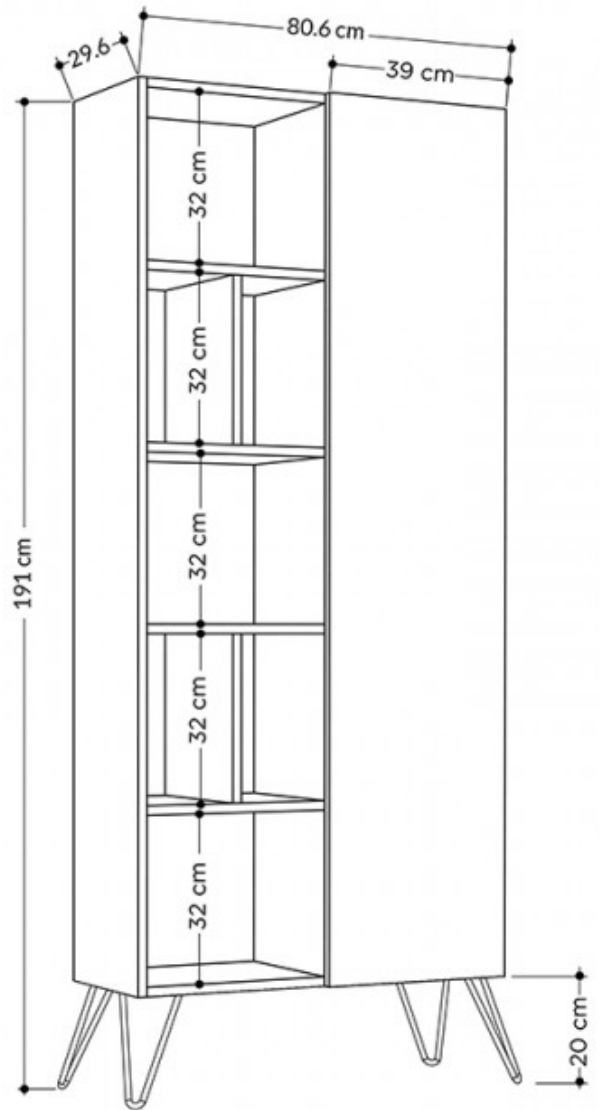


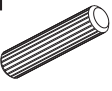
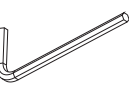

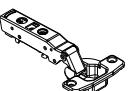
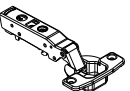

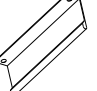

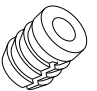
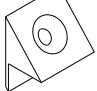
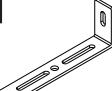
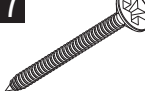


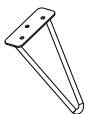
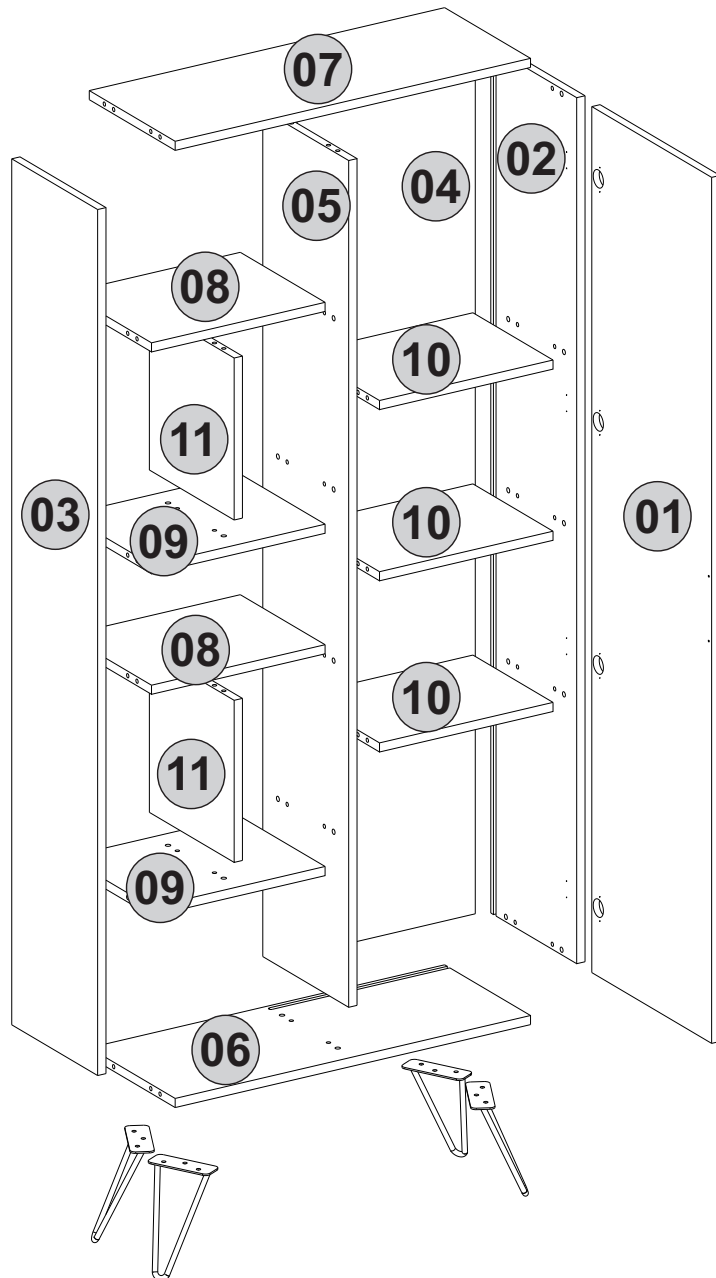




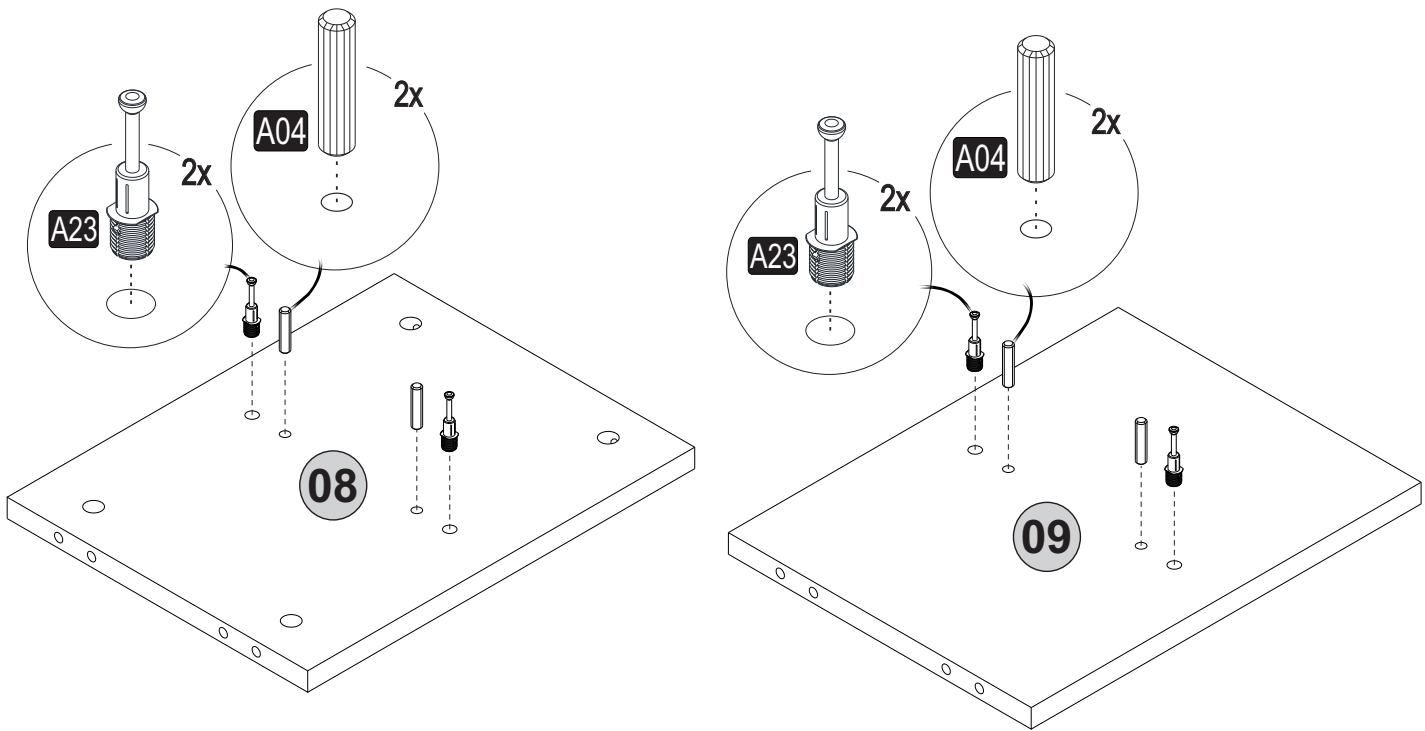
**GP037-0089,2**



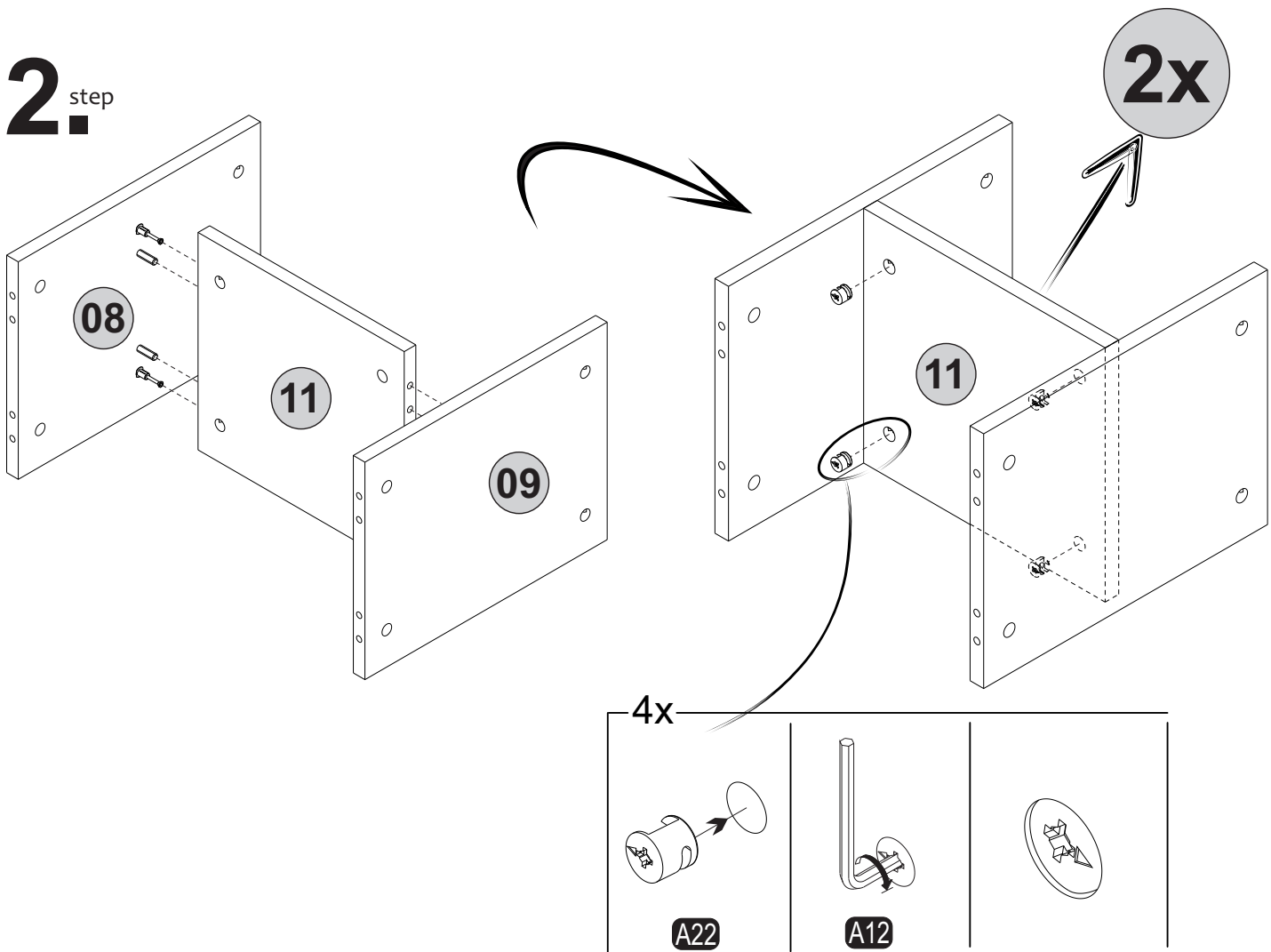
<b>A22</b> Minifix k18  48x	<b>A23</b> Minifix M10  48x	<b>A04</b> Ø8  48x	<b>A12</b> Allen  1x	<b>A06</b> 18mm  C1-48x
<b>C17</b> DmF(S)  2x	<b>C14</b> Dm(S)  2x	<b>C20</b> Mtk(S)  4x	<b>Z51</b> K128mm (black)  1x	<b>A18</b> 3,5x18  40x
<b>A69</b> P.D.  12x	<b>A25</b> ARK.PL  12x	<b>A87</b> 15x90x30  1x	<b>A17</b> 4x50  1x	<b>A16</b> DbØ8  1x
<b>B15</b> 15 (black)mm  12x				
<b>Z88</b> MBA  4x				



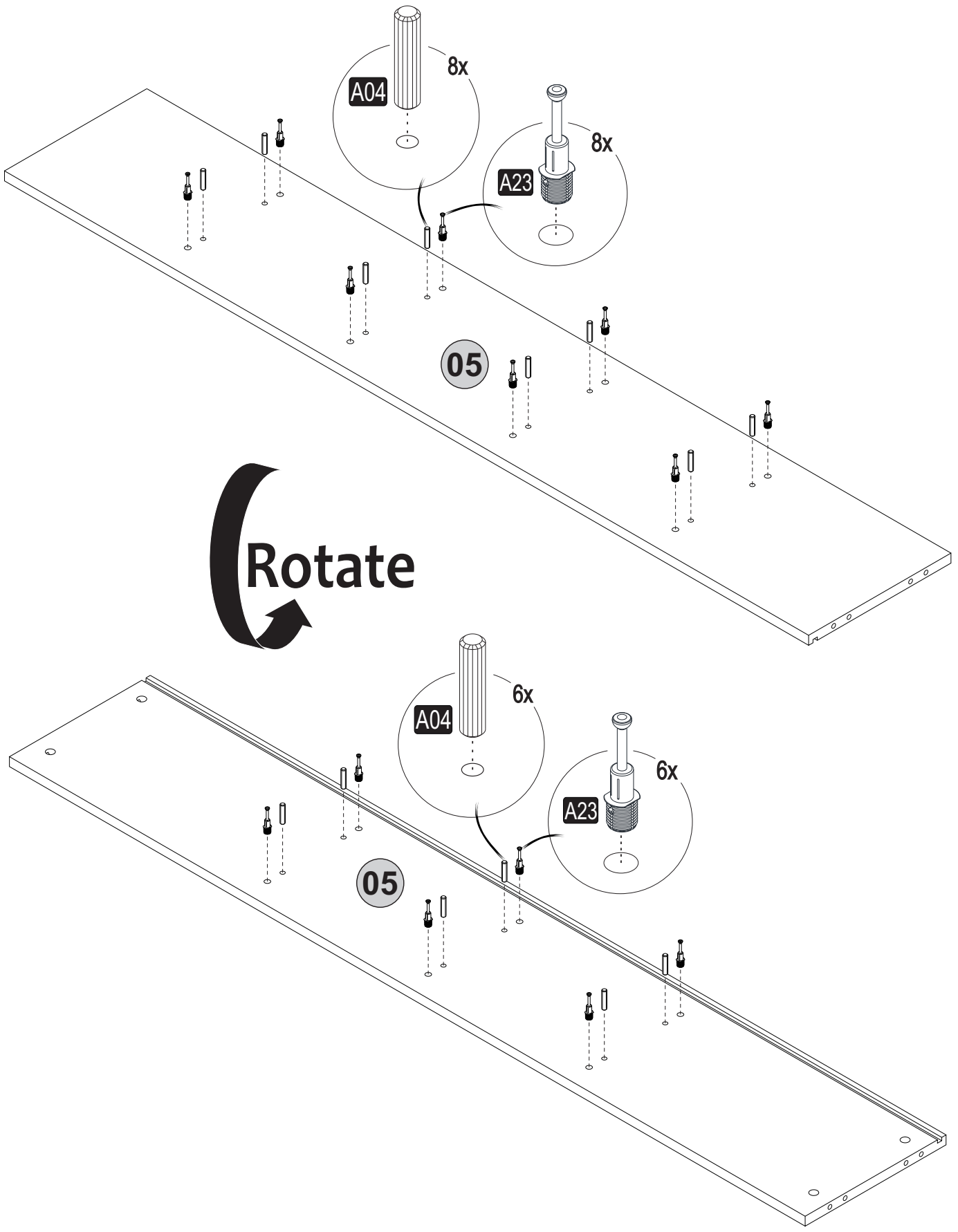
# 1. step



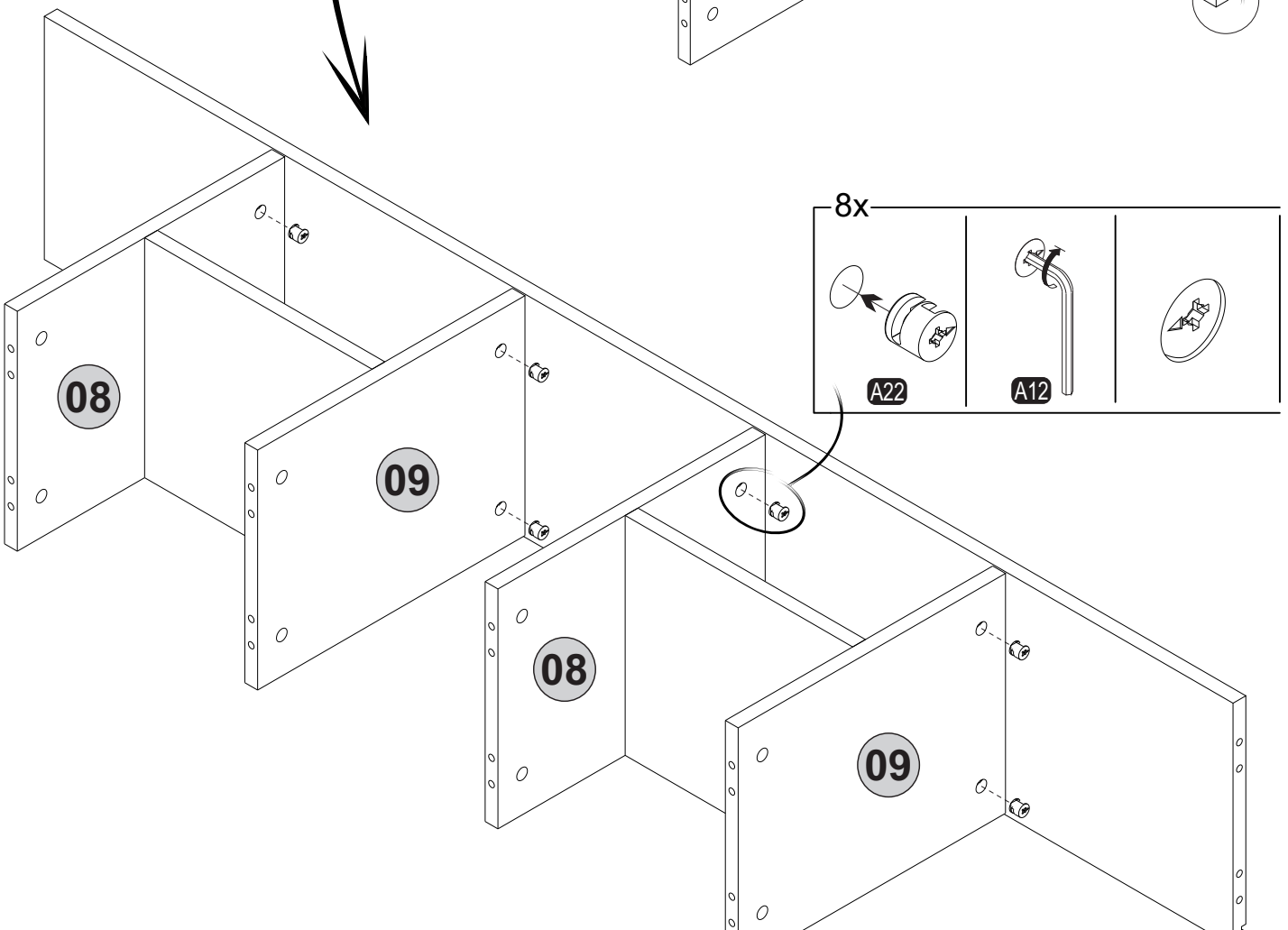
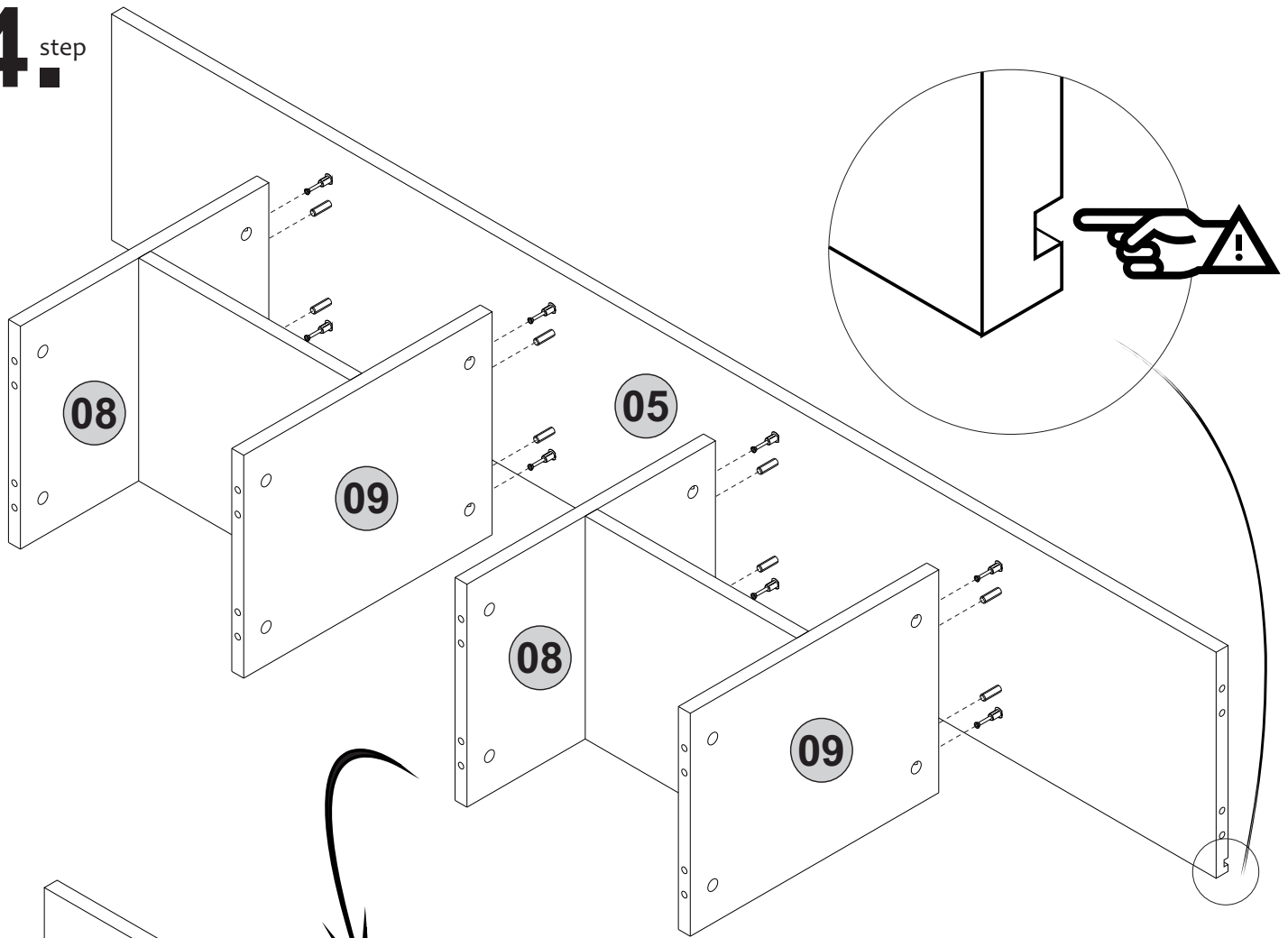
# 2. step



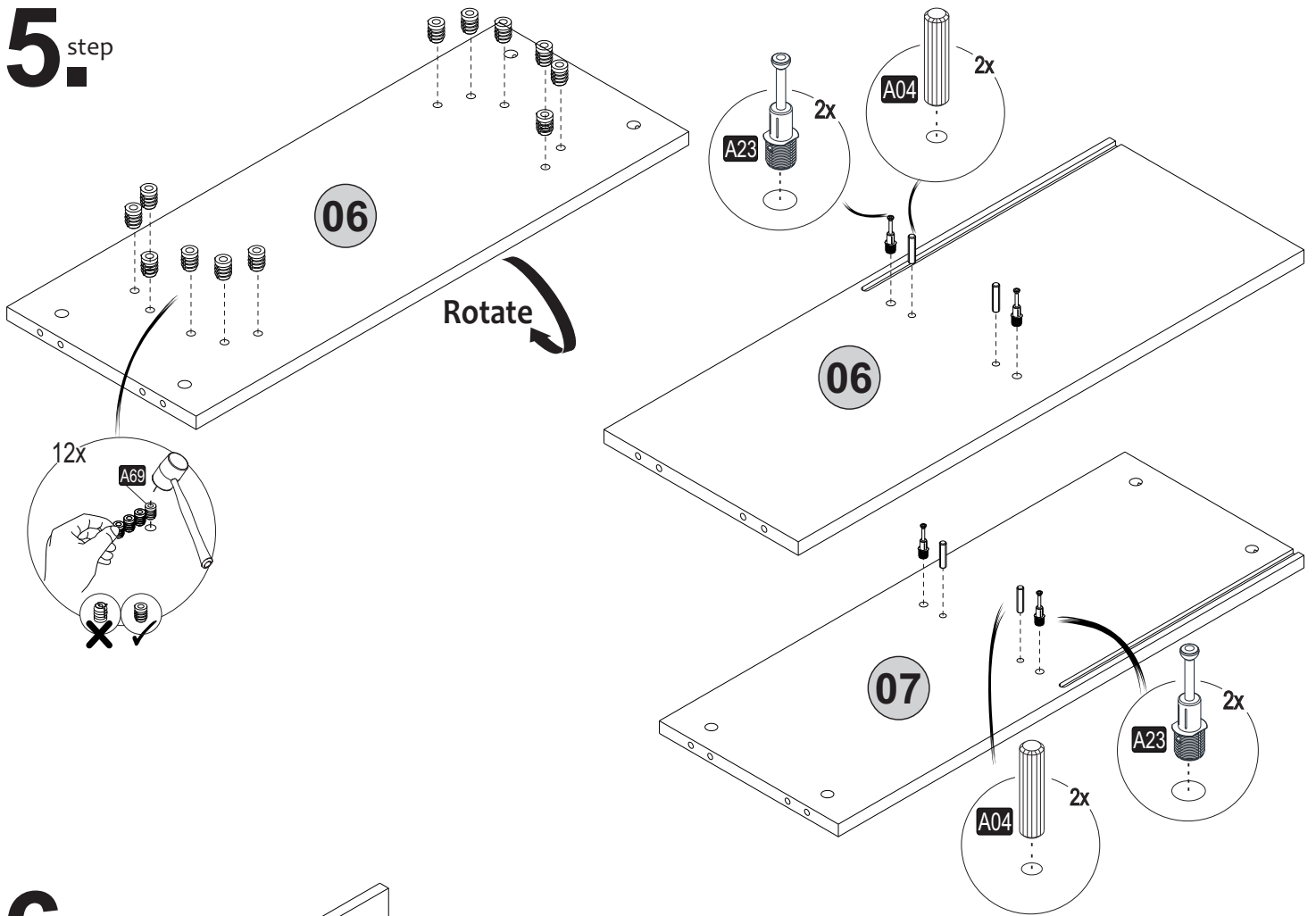
# 3<sup>step</sup>



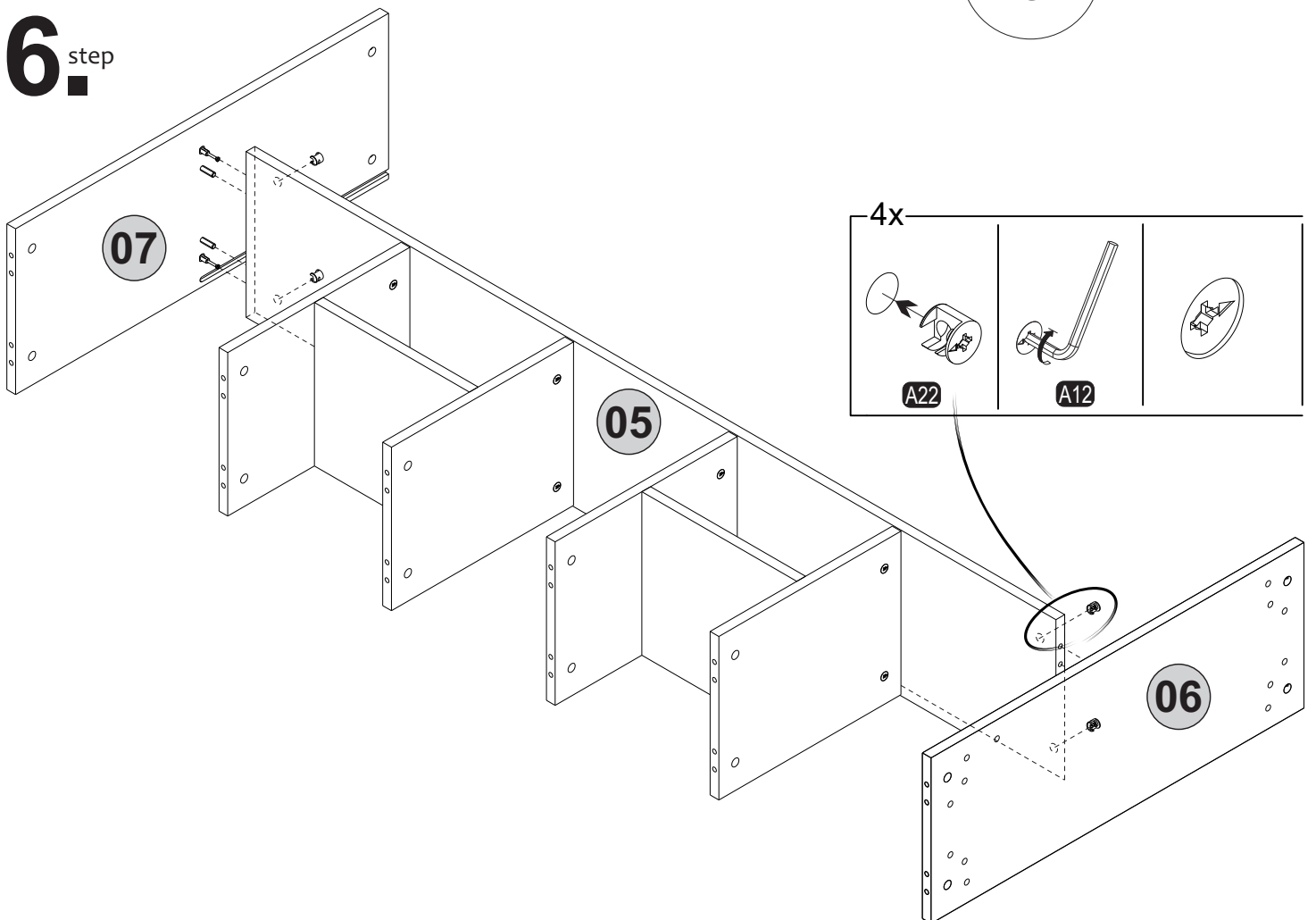
**4.** step



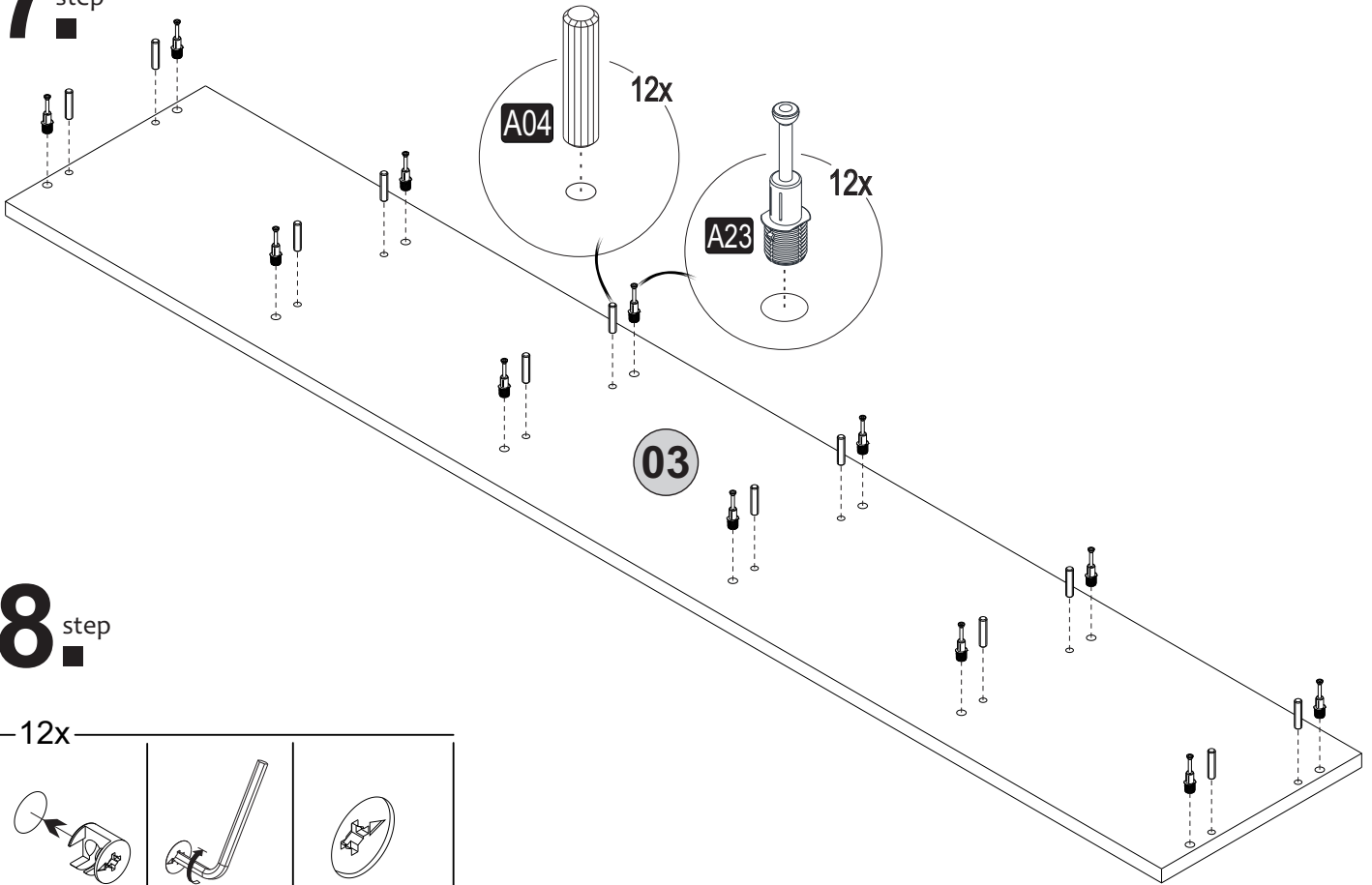
# 5. step



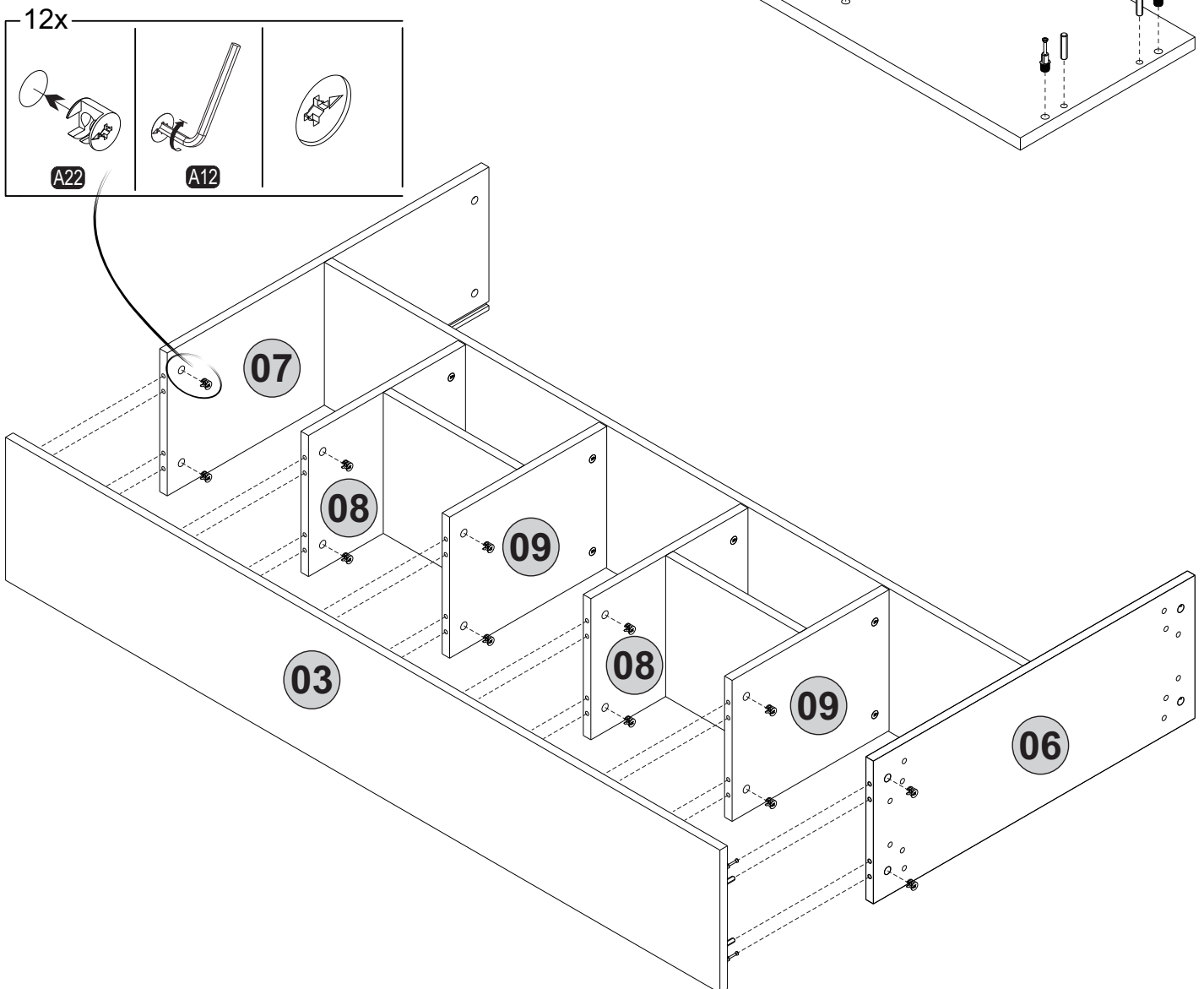
# 6. step



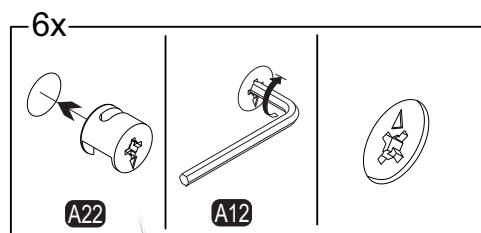
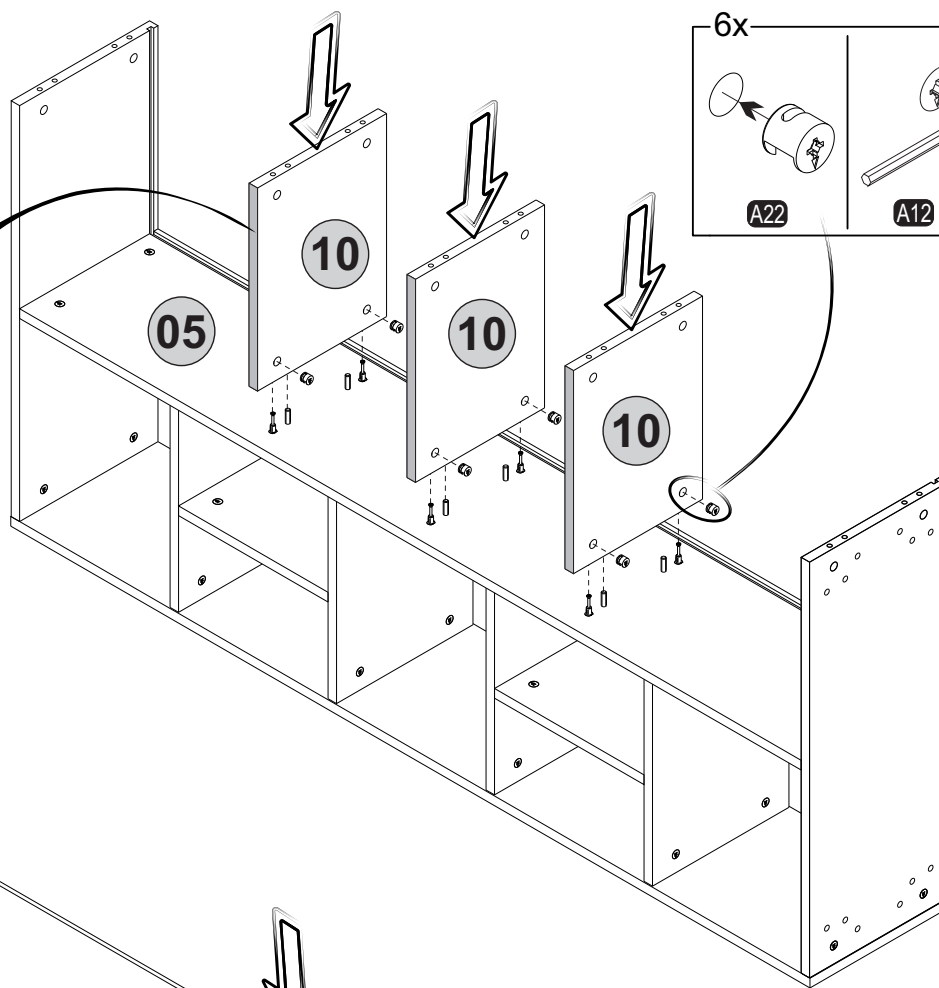
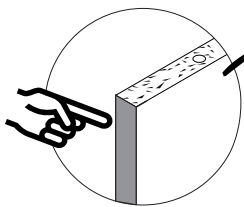
# 7<sup>step</sup>



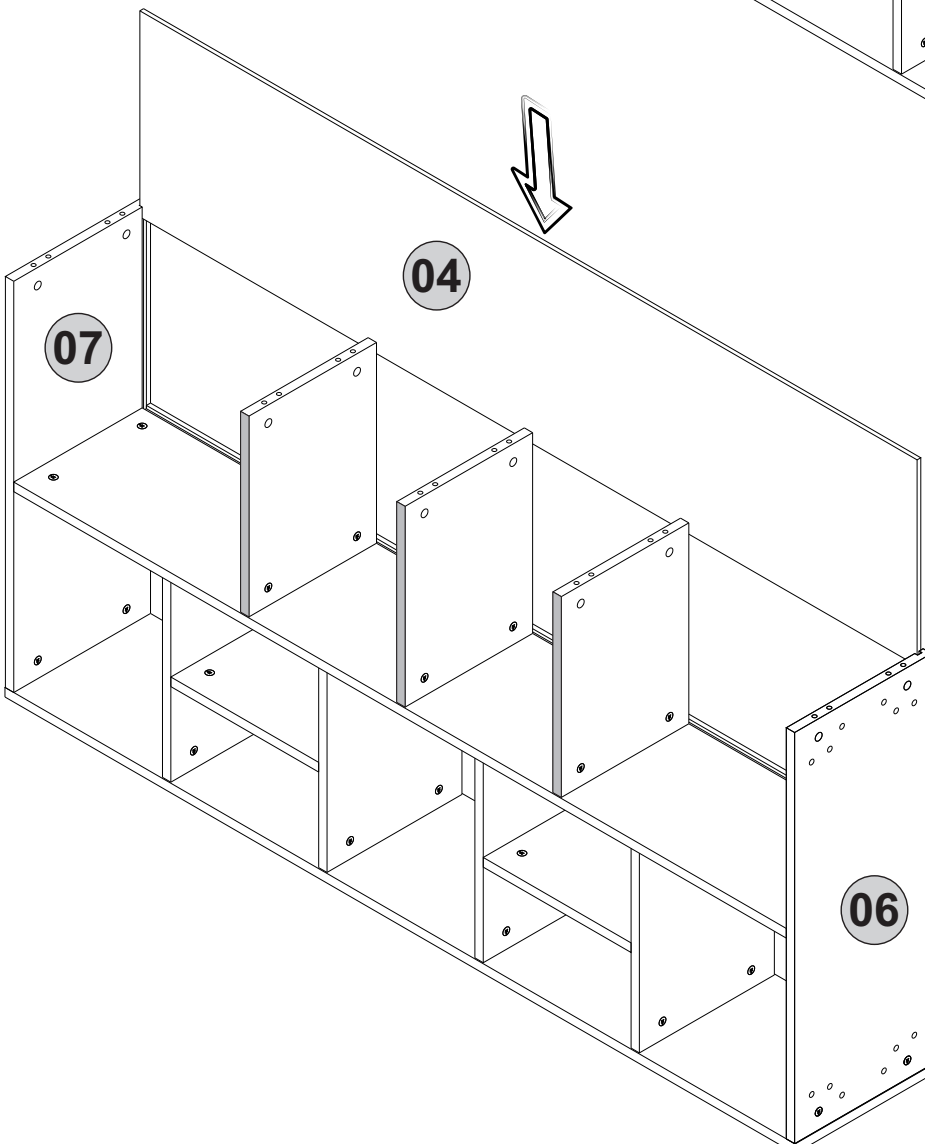
# 8<sup>step</sup>



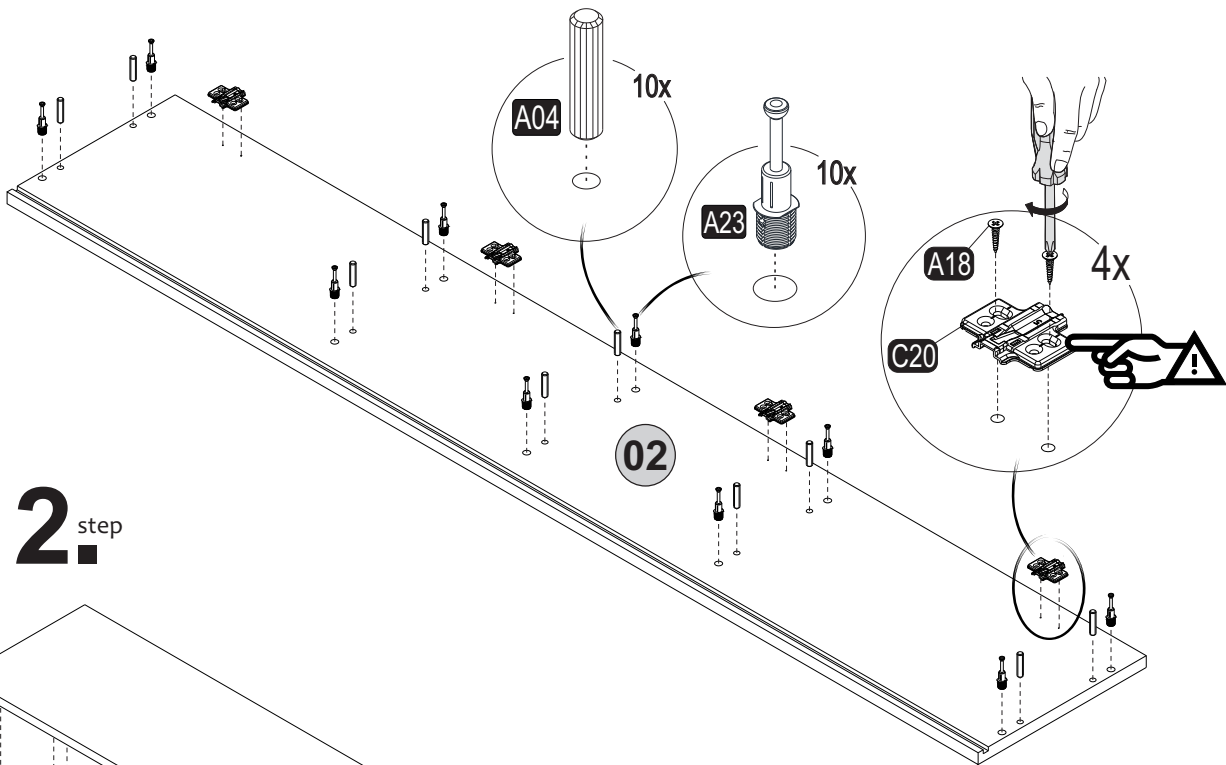
**9.** step



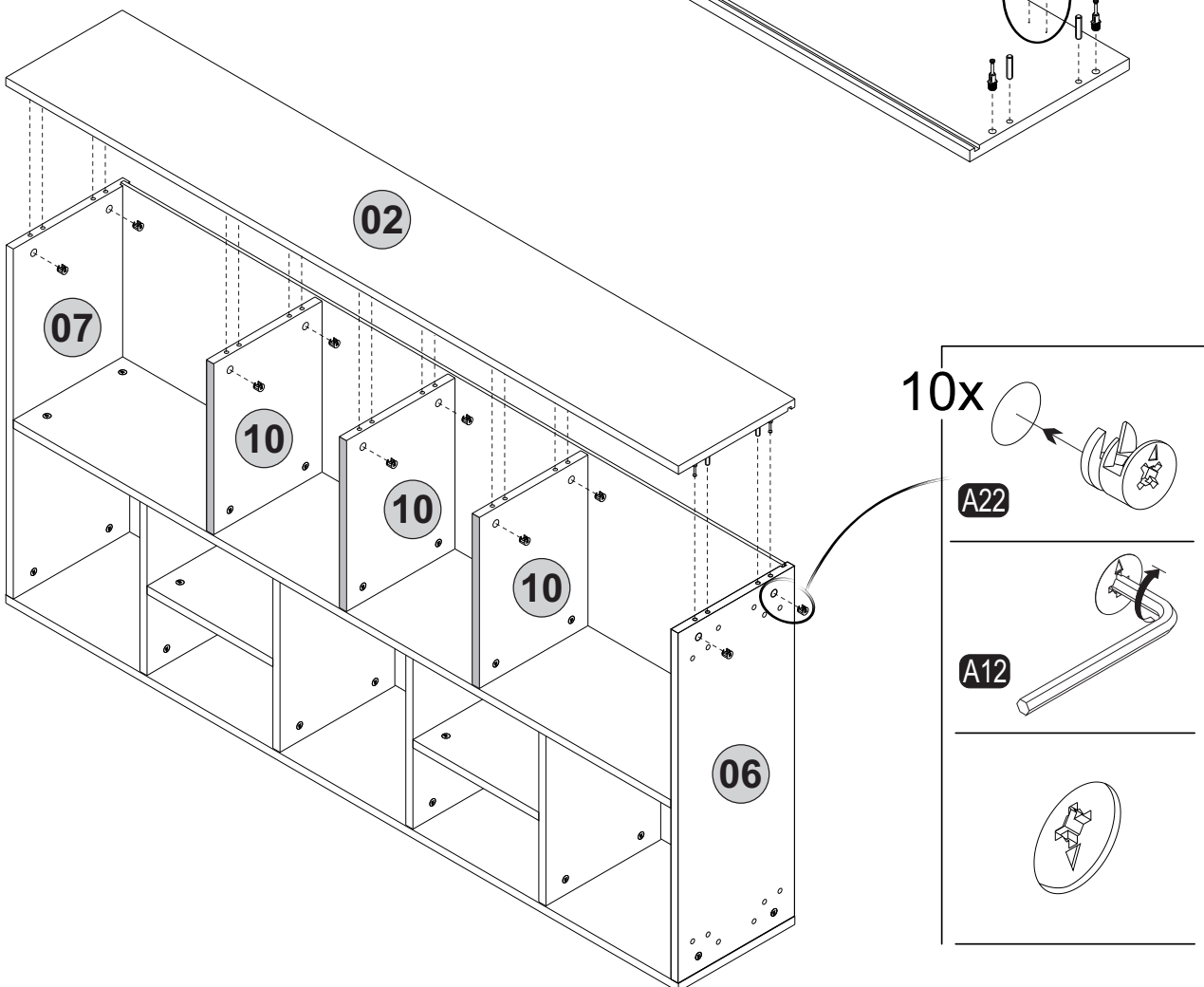
**10.** step



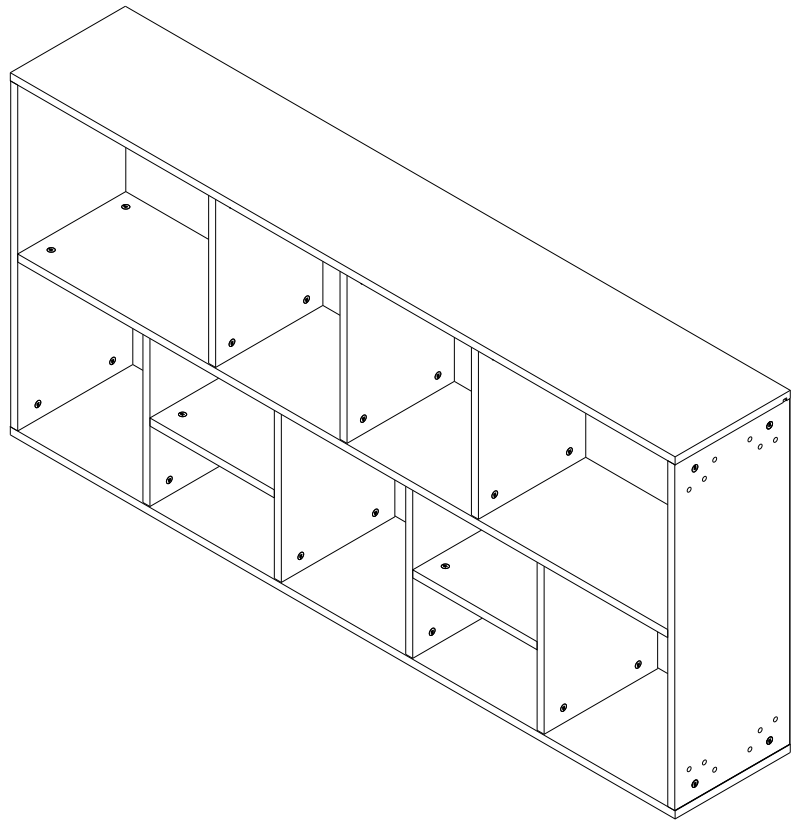
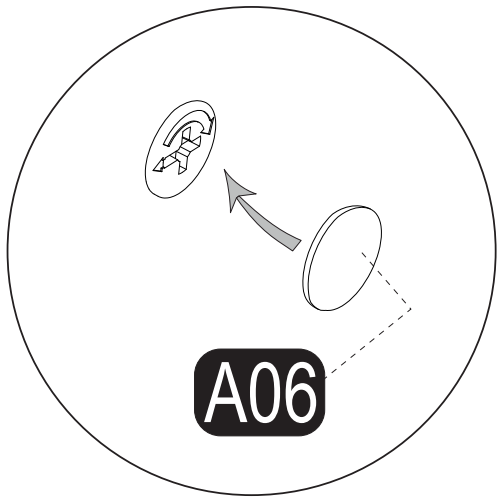
# 11.<sup>step</sup>



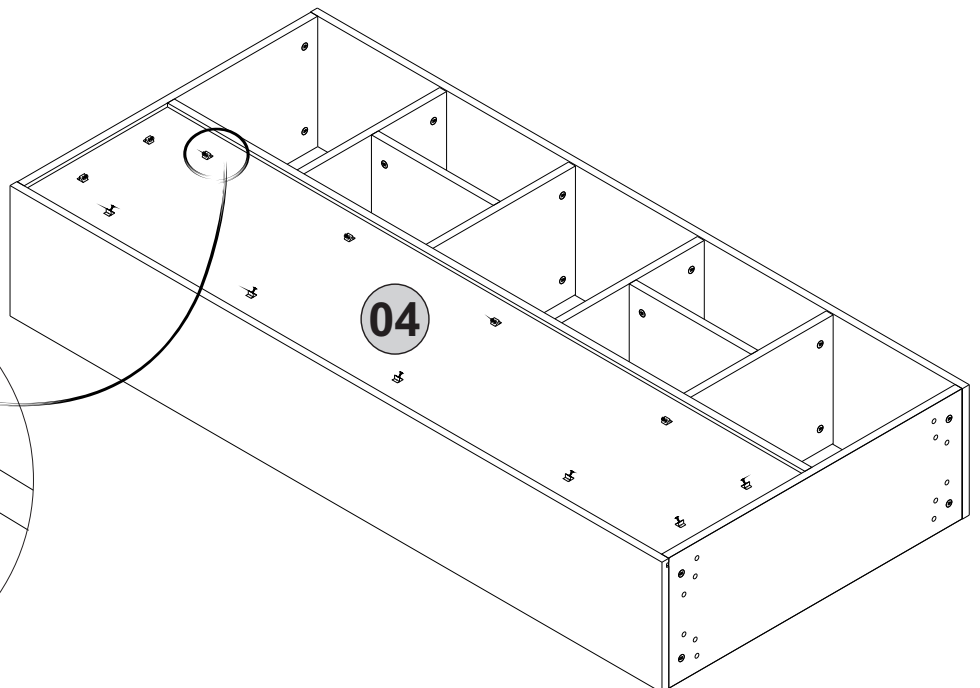
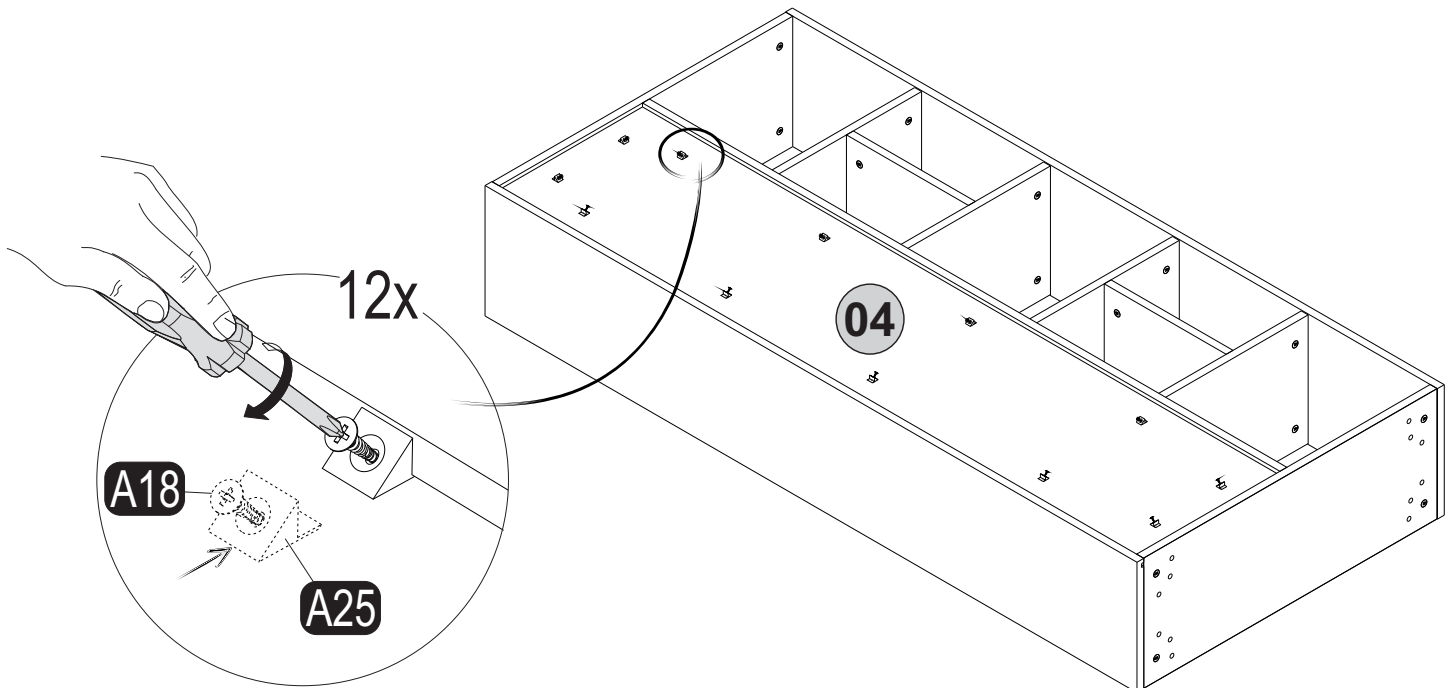
# 12.<sup>step</sup>



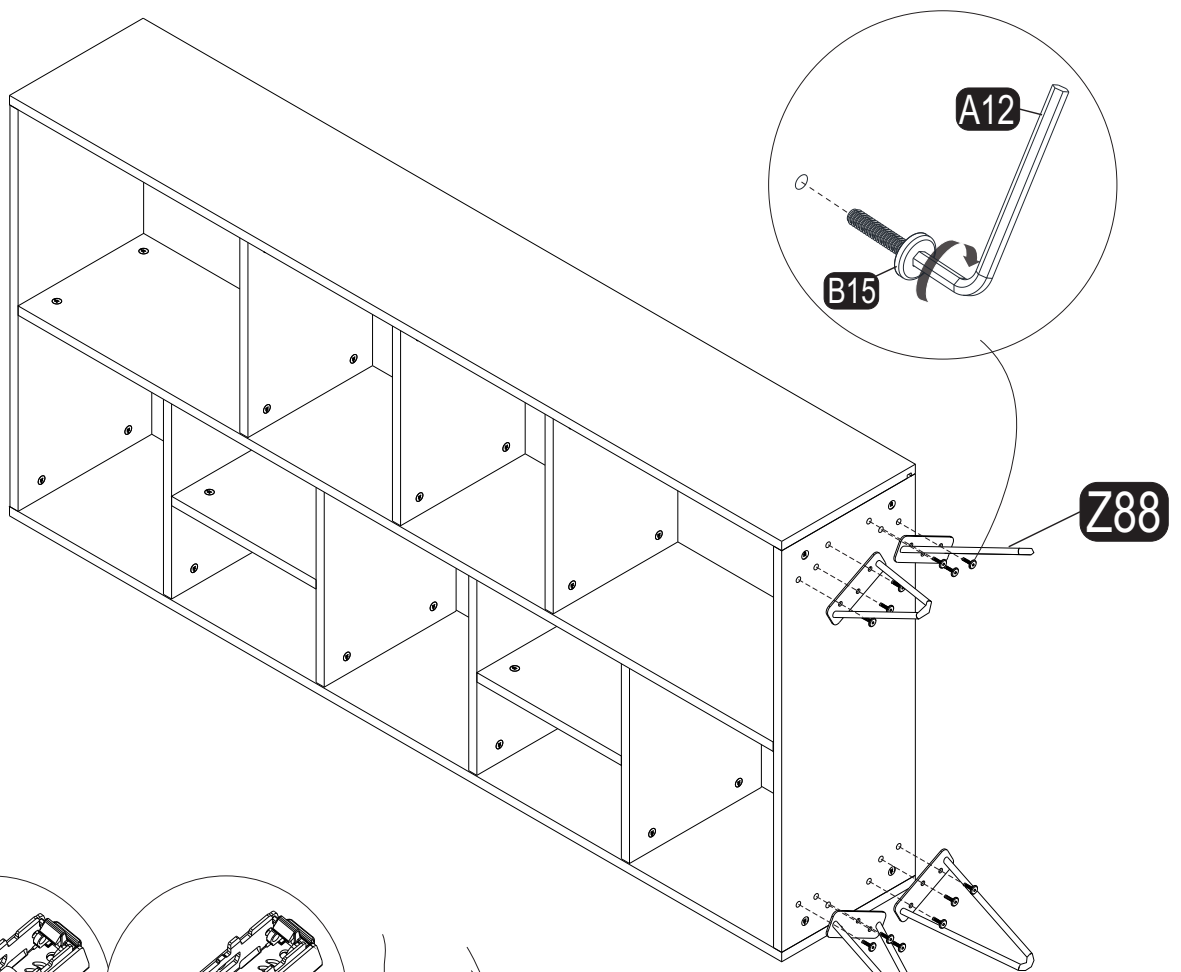
# 13.<sup>step</sup>



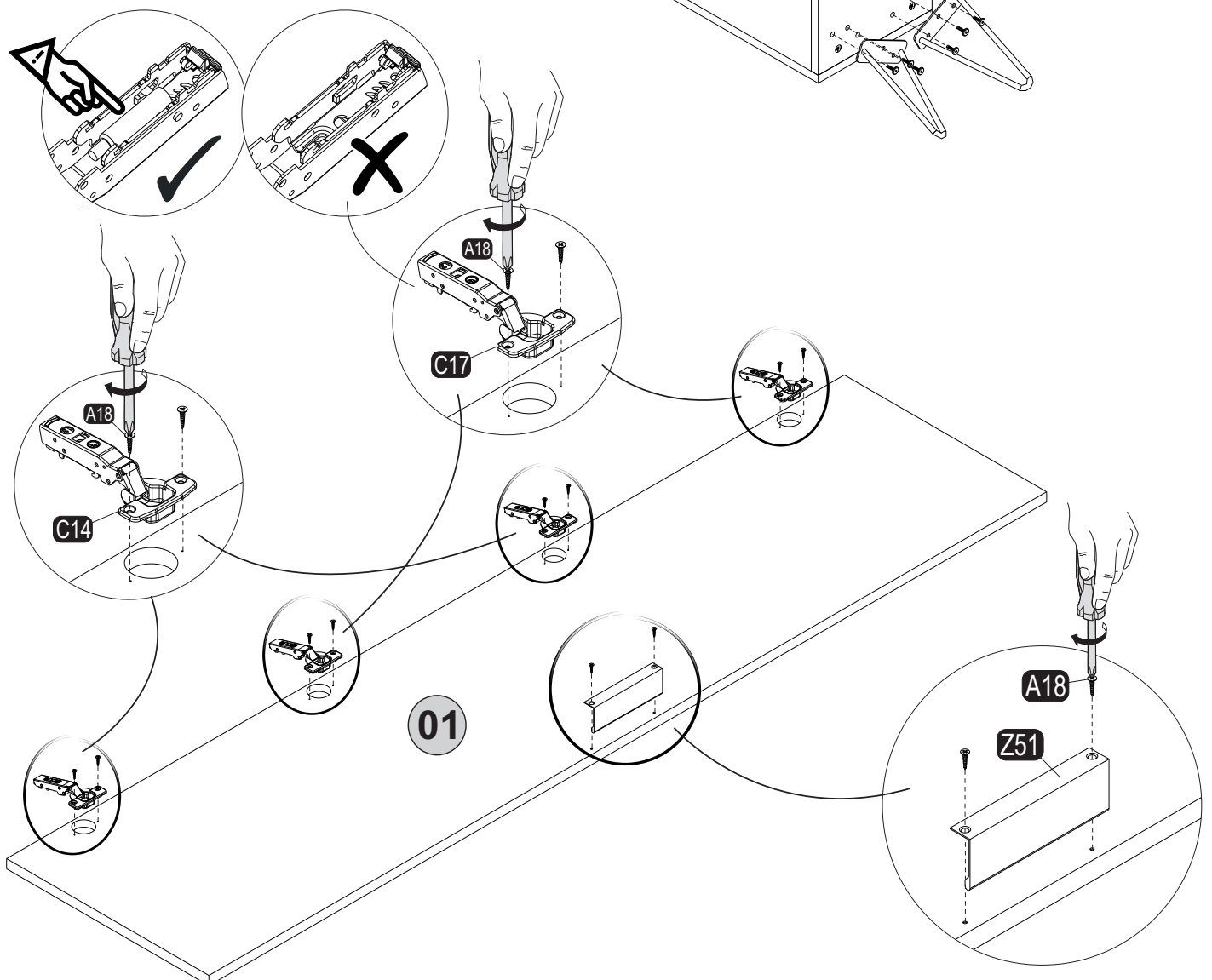
# 14.<sup>step</sup>



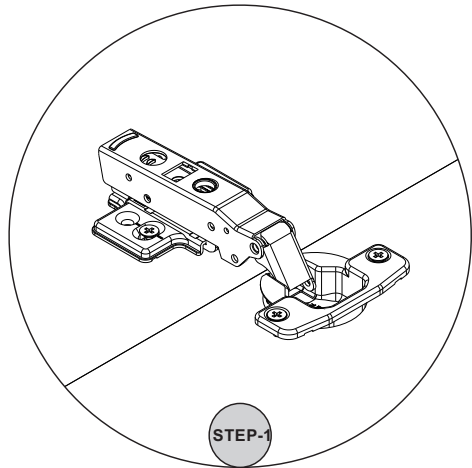
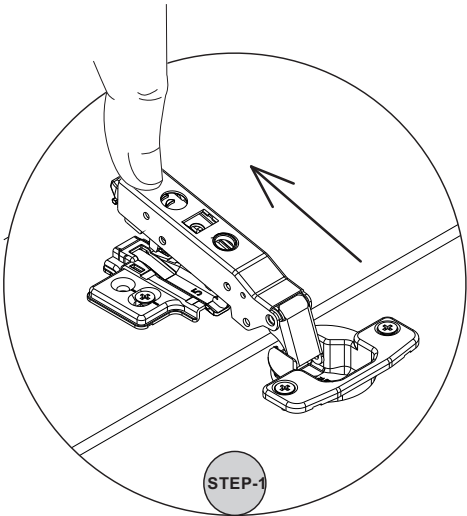
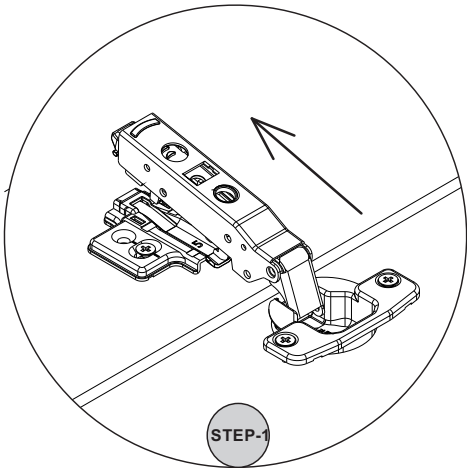
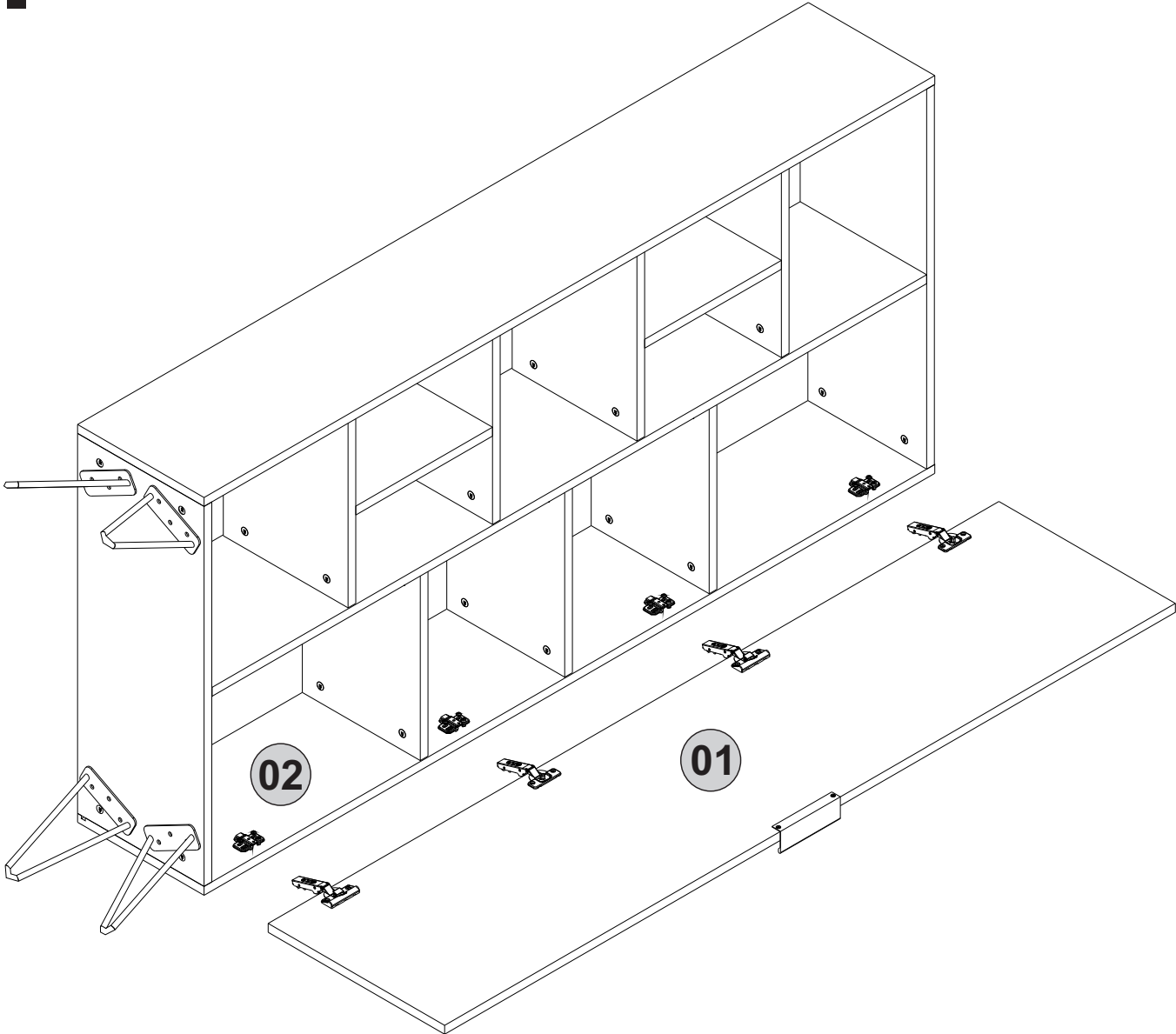
# 15.<sup>step</sup>



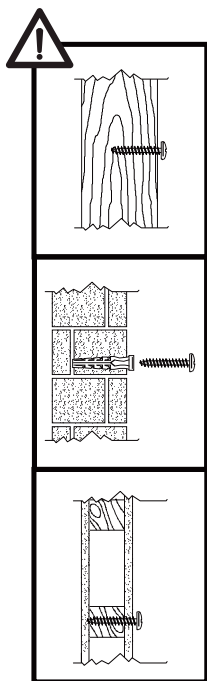
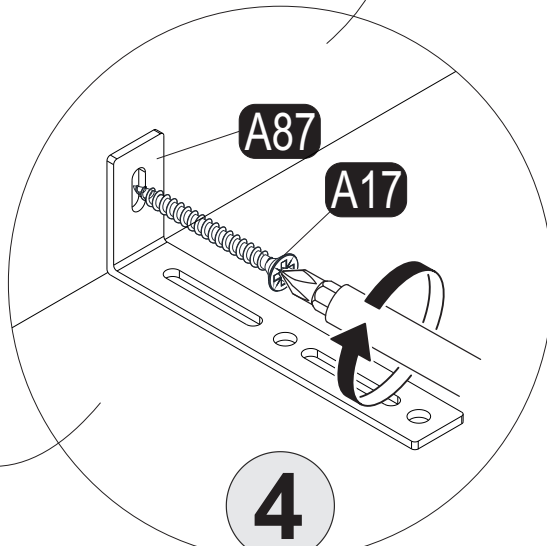
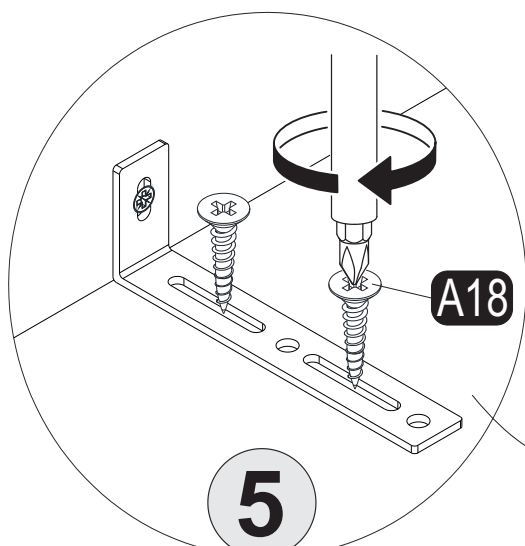
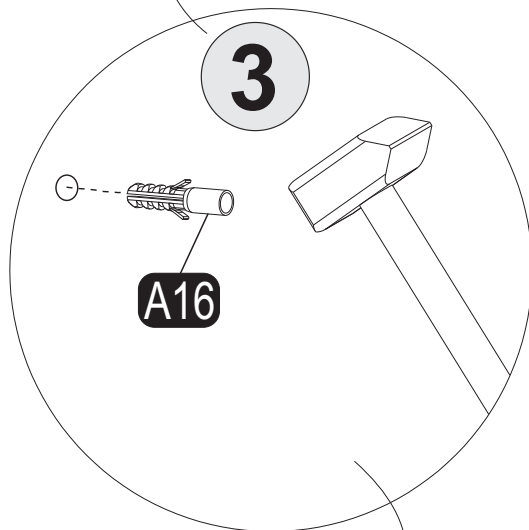
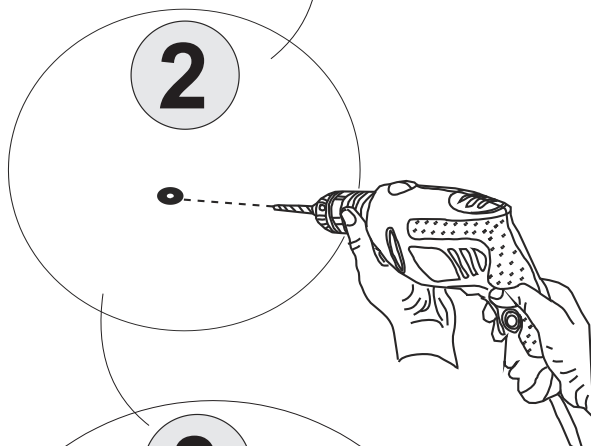
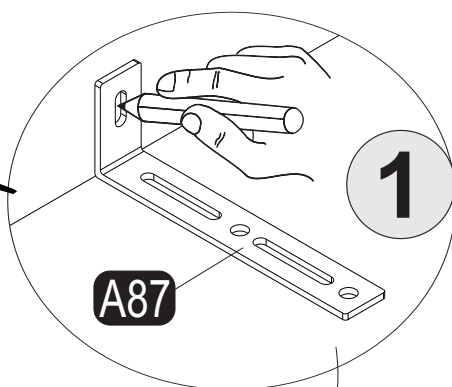
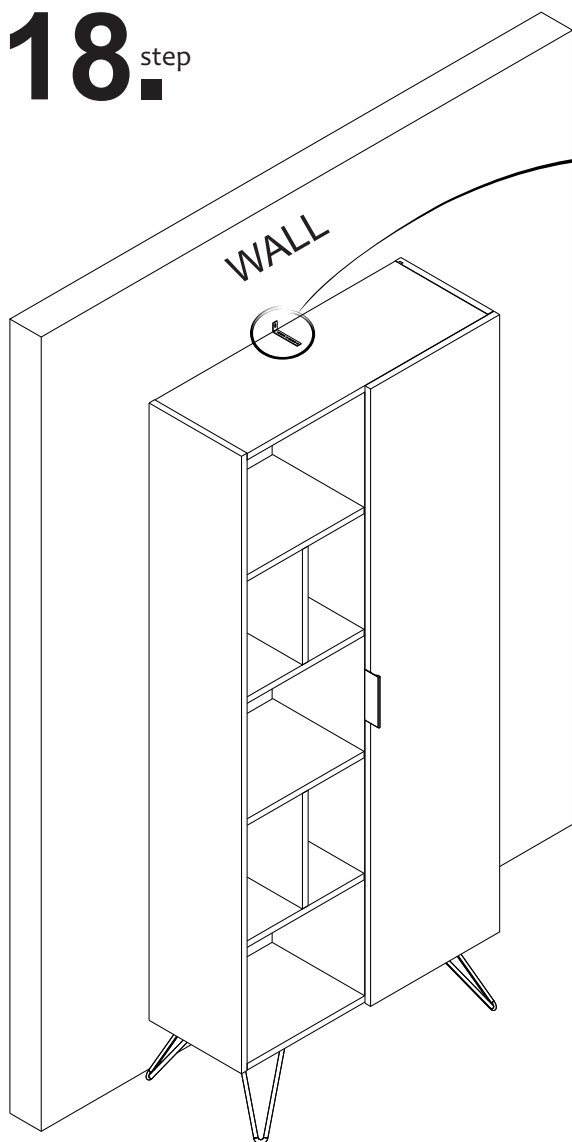
# 16.<sup>step</sup>



# 17<sup>step</sup>



# 18.<sup>step</sup>



# 19<sub>step</sub>

