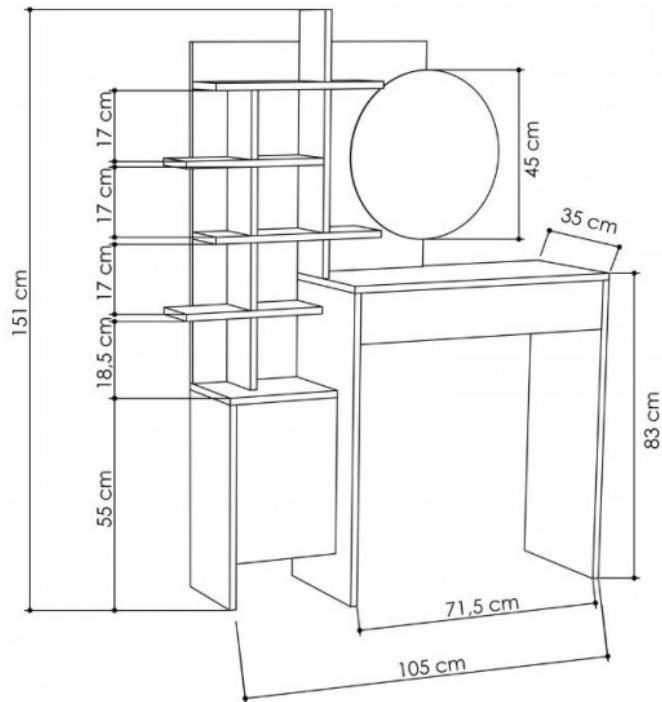
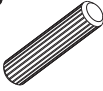


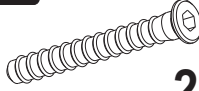



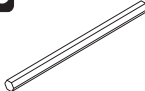
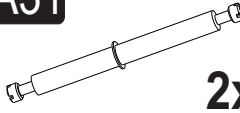
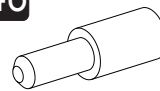

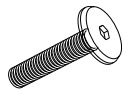


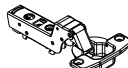
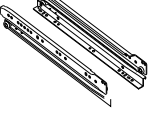
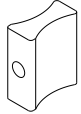
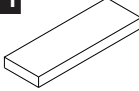

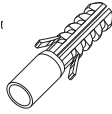
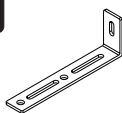

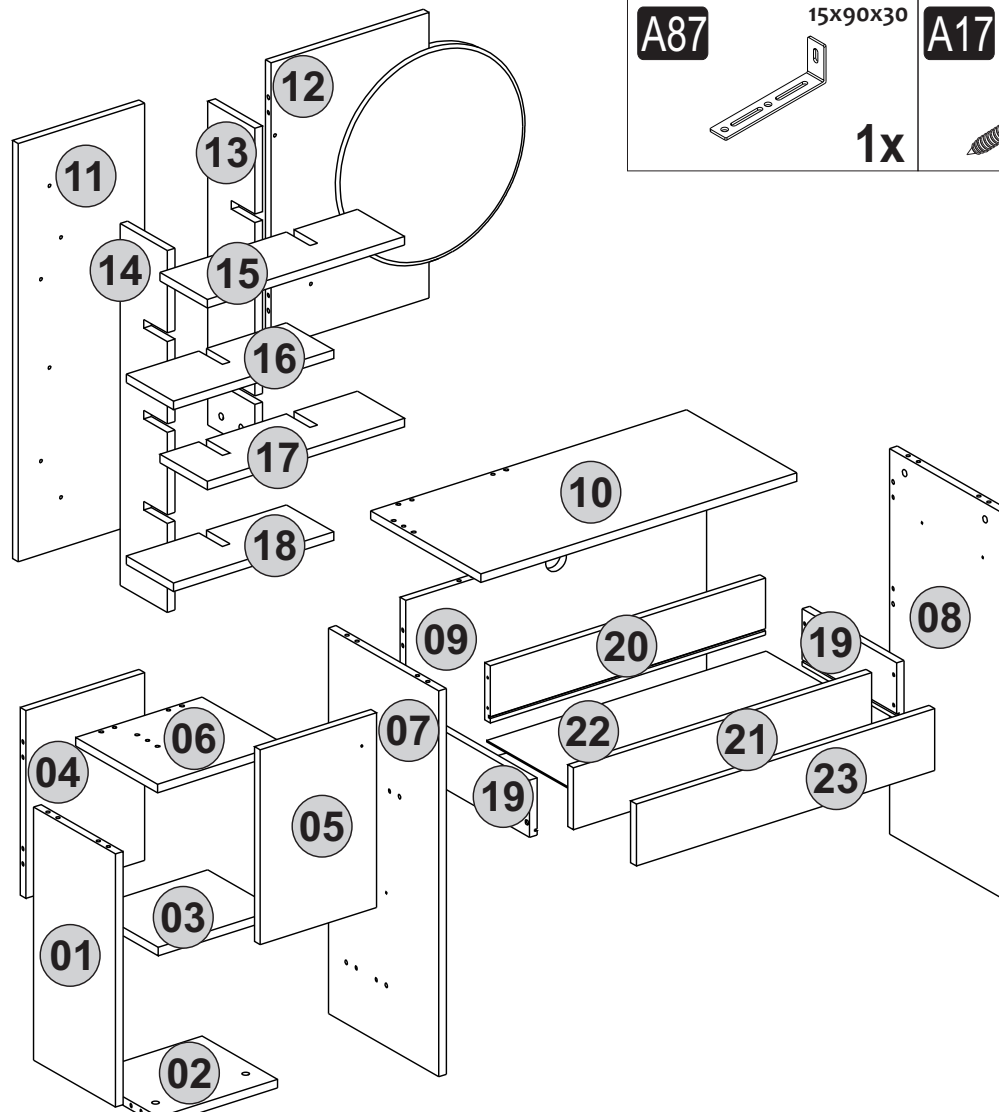




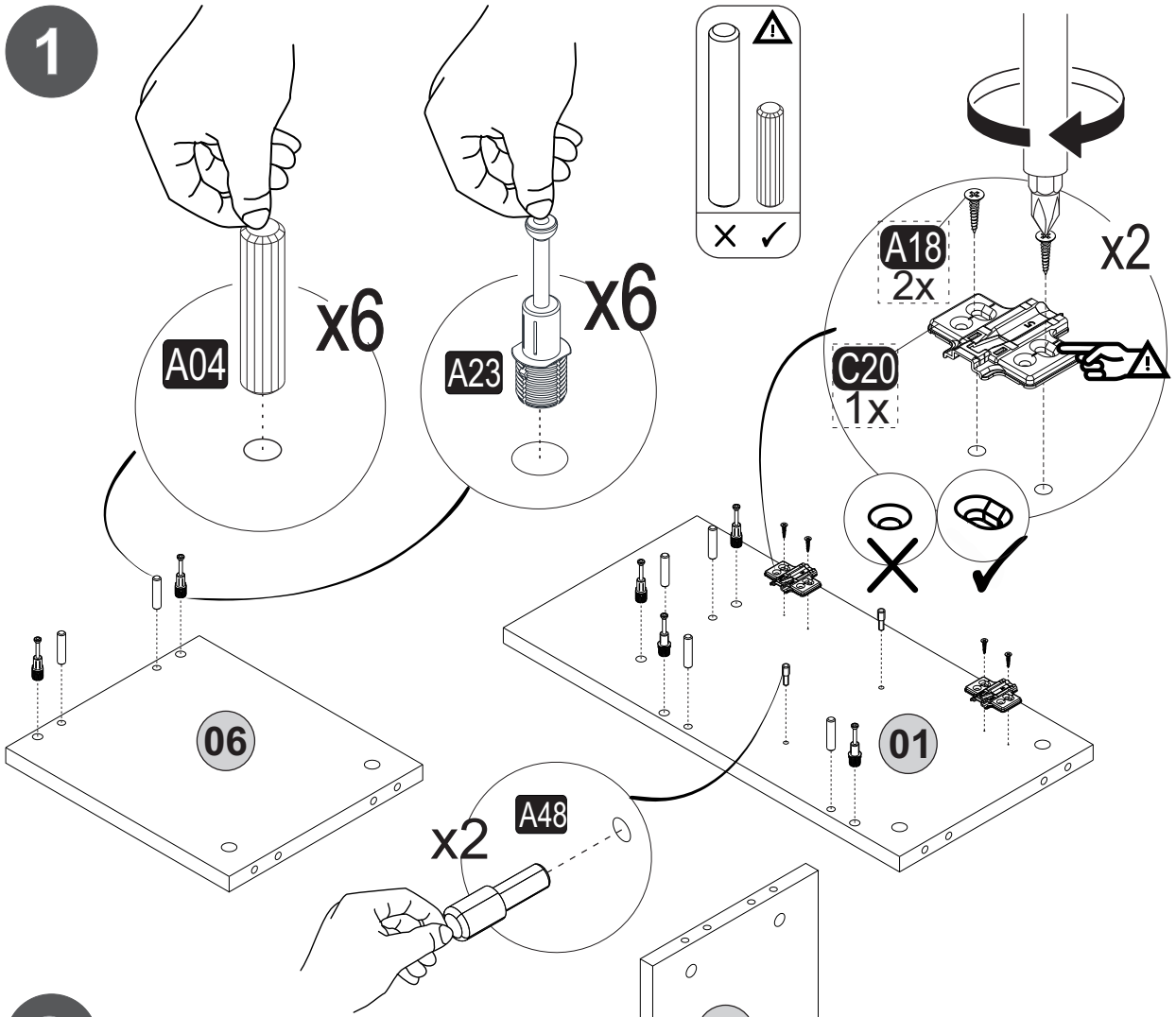
**GP037-0133,1**



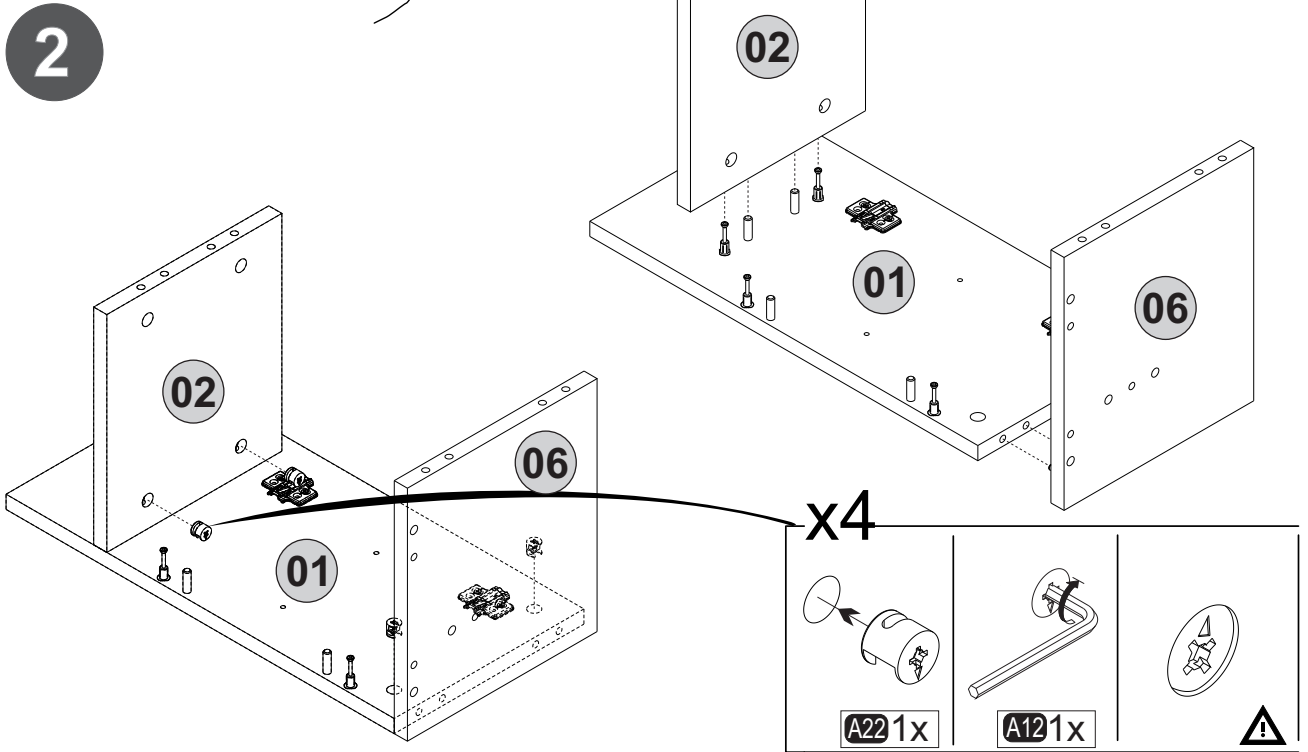
<b>A04</b> Ø8  30x	<b>A06</b> 18 mm  C1-50x C2-4x	<b>A12</b> 4 sw  1x	<b>A13</b> 50 mm  20x	<b>A18</b> 3,5x18  22x
<b>A22</b> Minifix k18  34x	<b>A23</b> Minifix M10  30x	<b>A26</b> Allen  1x	<b>A31</b> DFM6-68  2x	<b>A48</b> R2.5  4x
<b>A69</b> P.D.  2x	<b>B03</b> 25 mm  2x	<b>C20</b> Mtk(S)  2x	<b>C16</b> Sdb(S)  1x	<b>C19</b> SdbF(S)  1x
<b>Z32</b> 300mm  1x	<b>Z42</b>  1x	<b>PB01</b> Kece  6x	<b>Z07</b> M4x22  1x	<b>A16</b> DbØ8  1x
			<b>A87</b> 15x90x30  1x	<b>A17</b> 4x50  1x



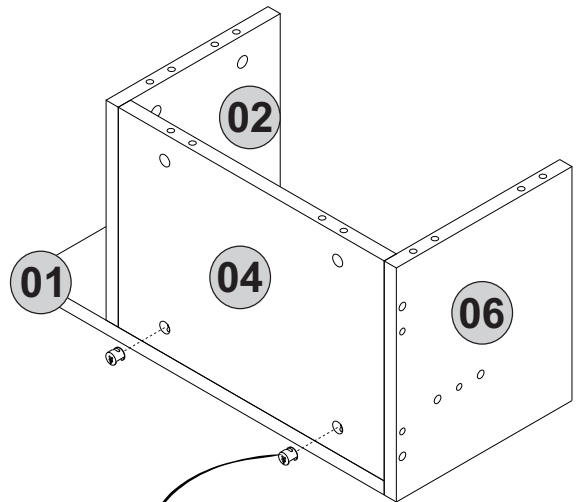
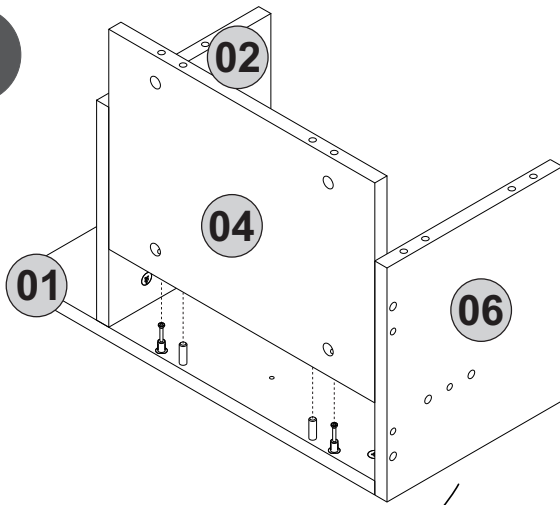
1



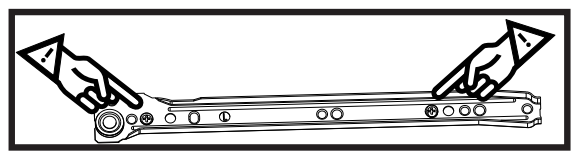
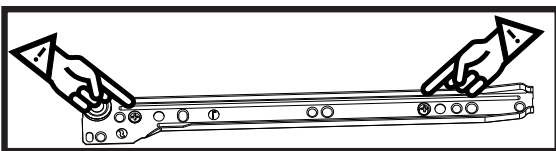
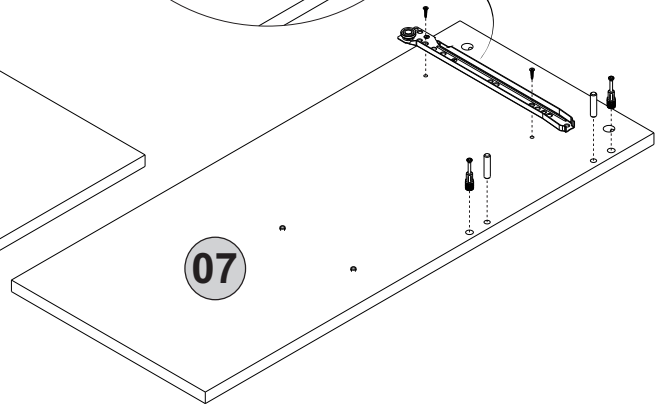
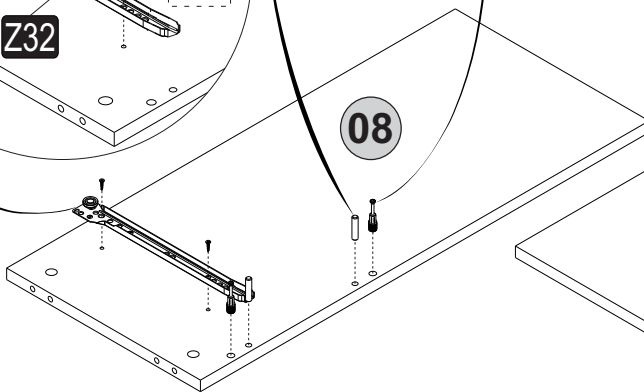
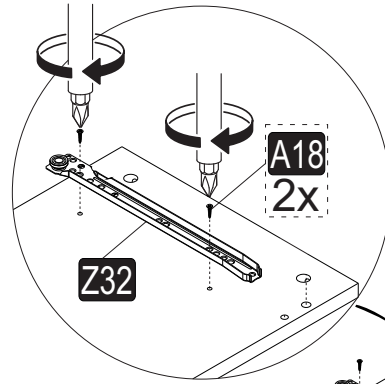
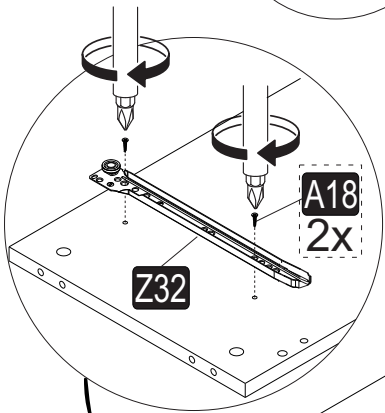
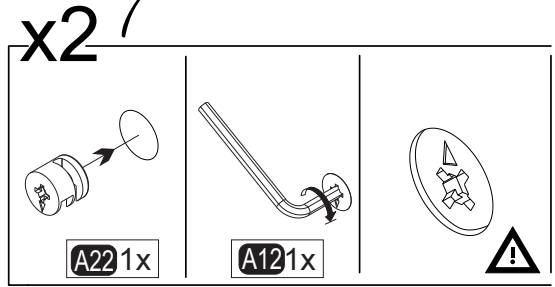
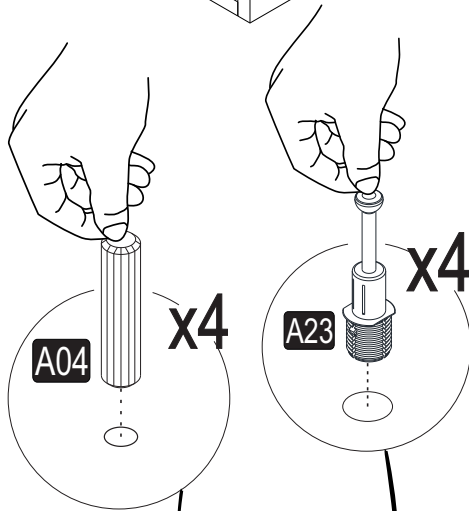
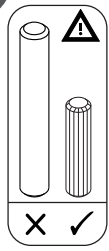
2



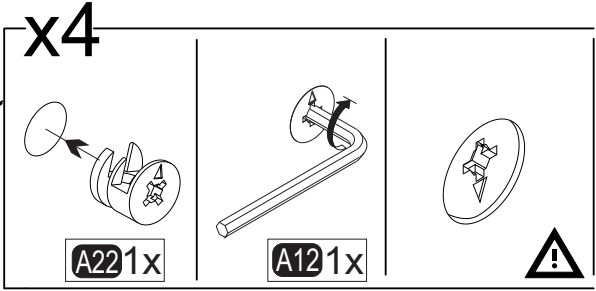
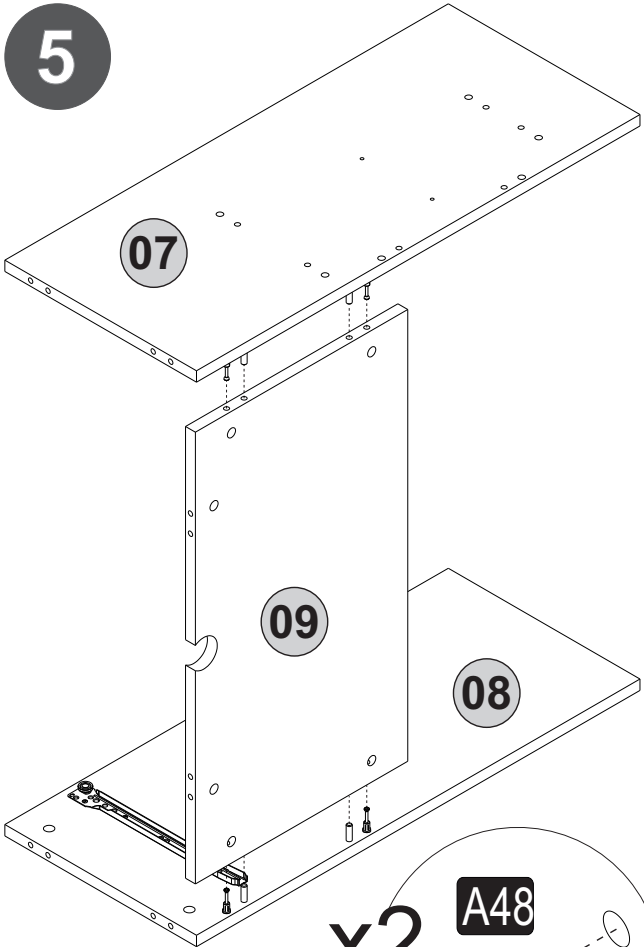
3



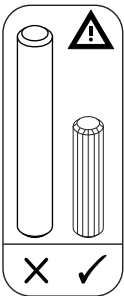
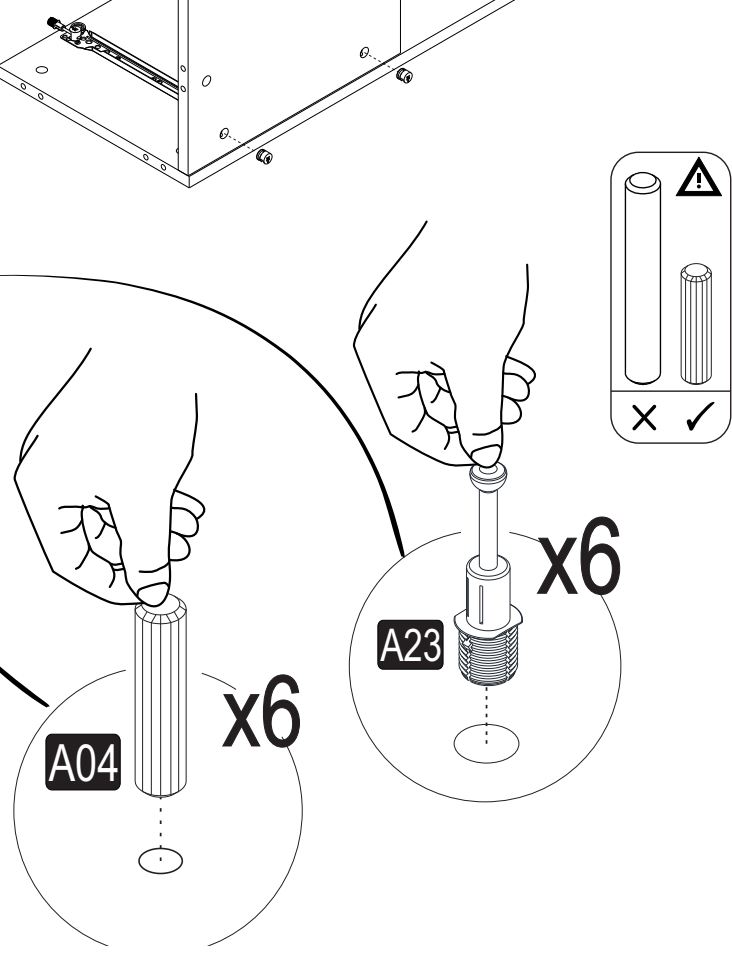
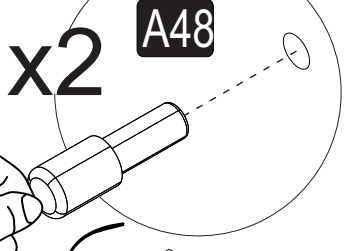
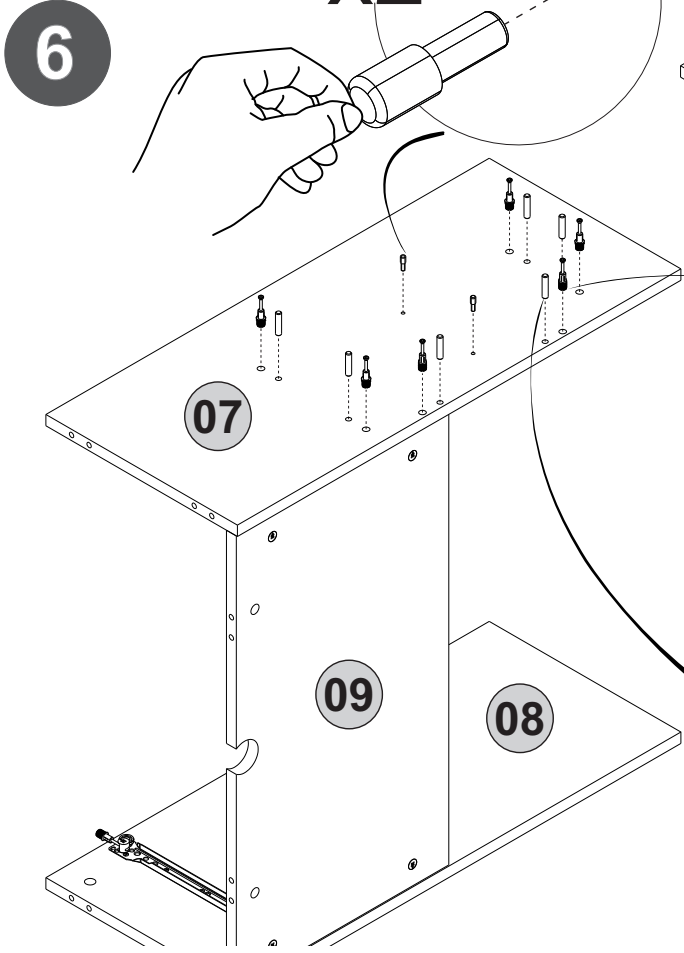
4



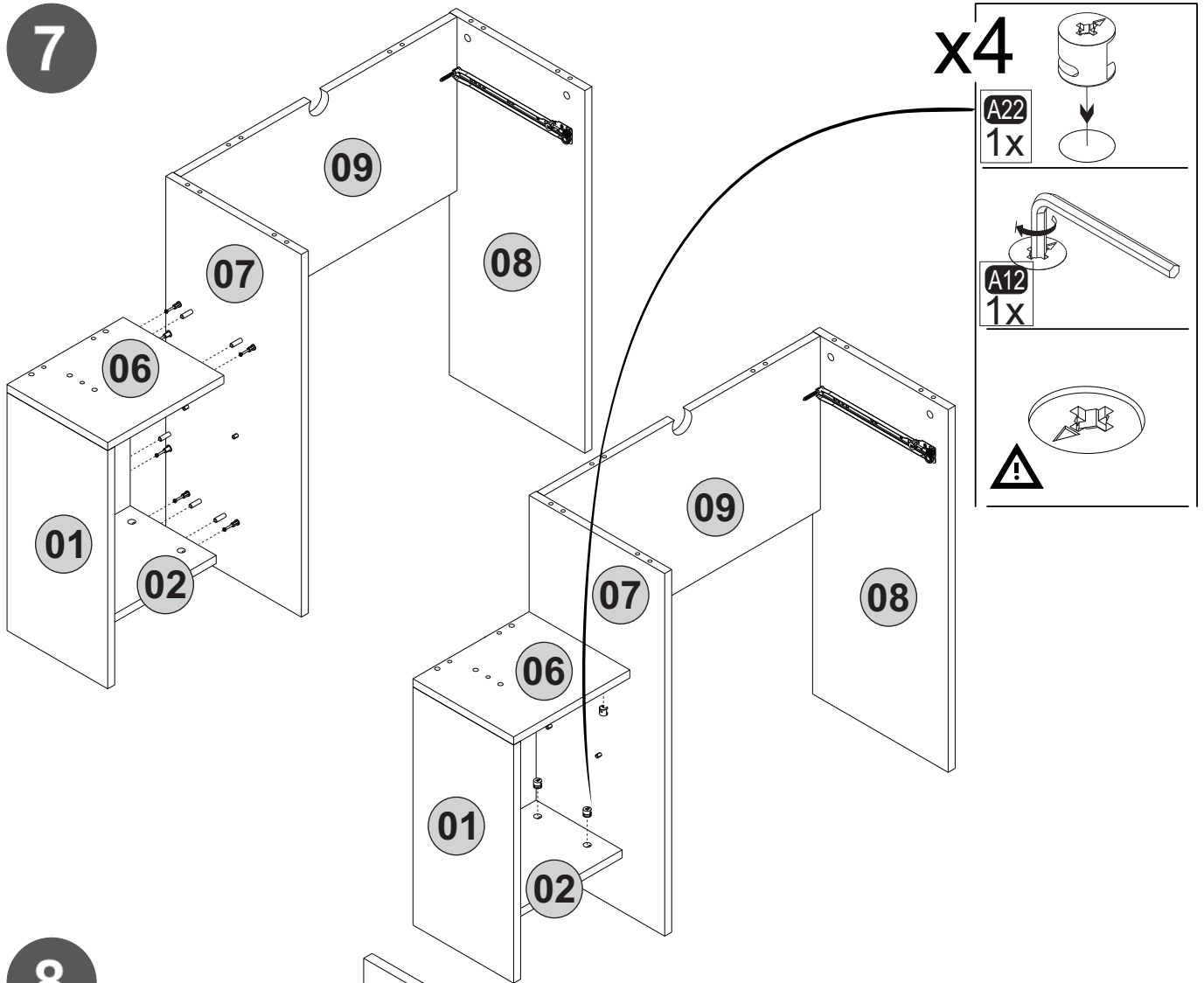
5



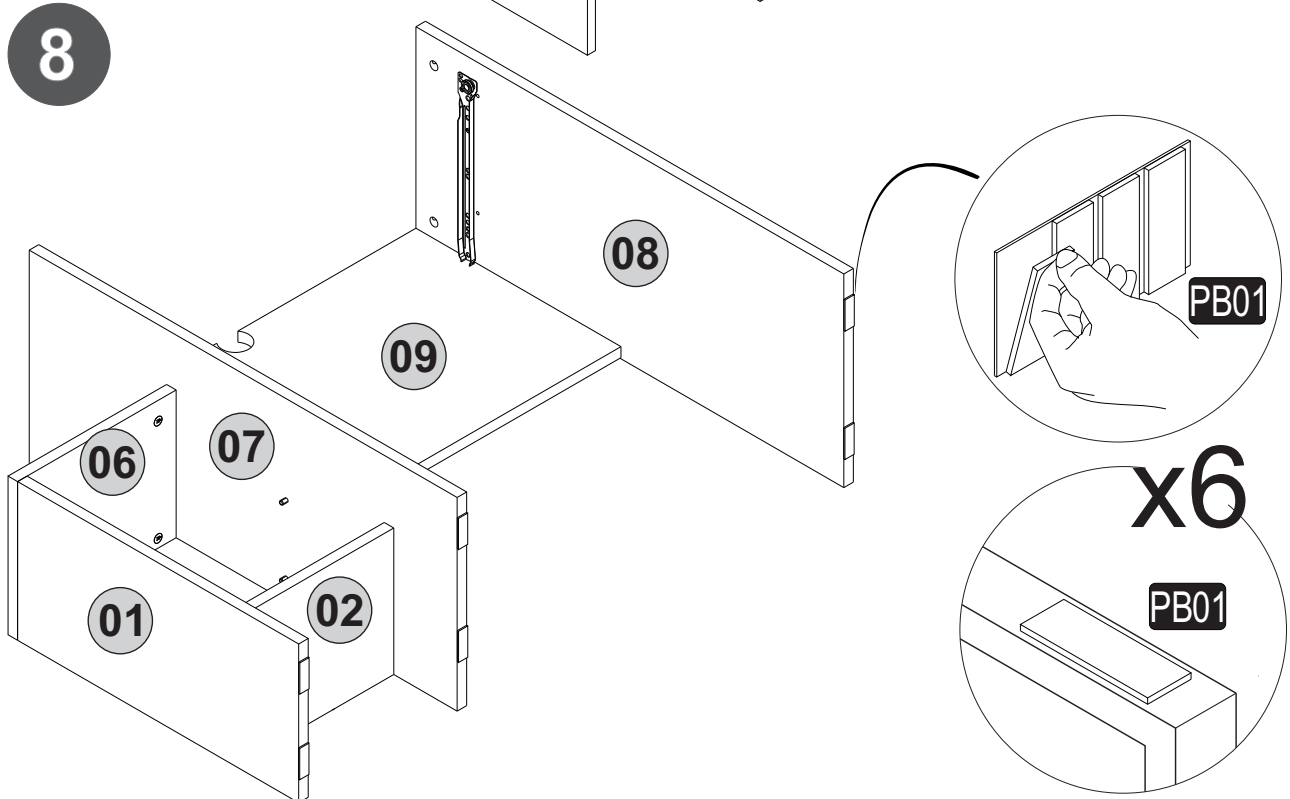
6



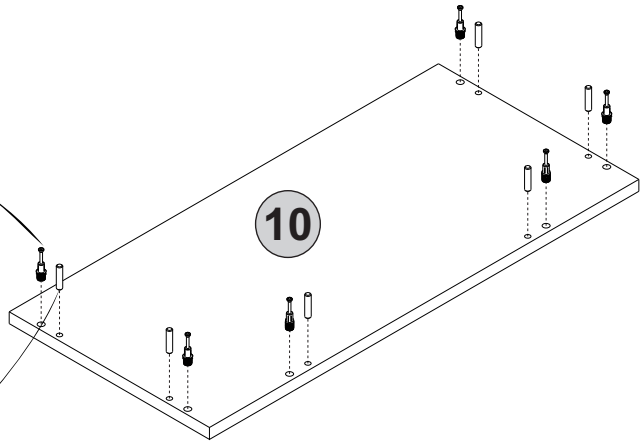
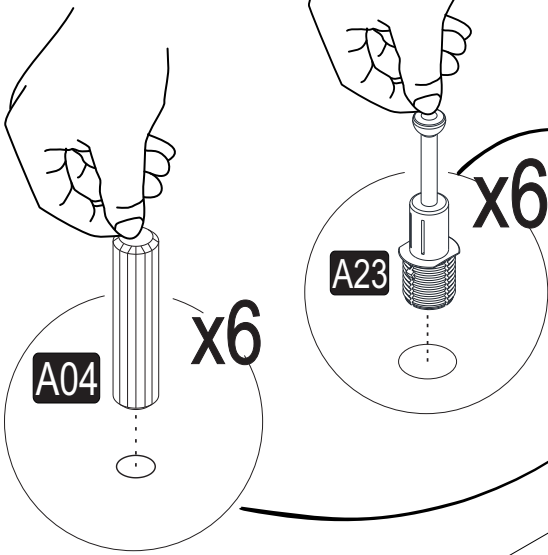
7



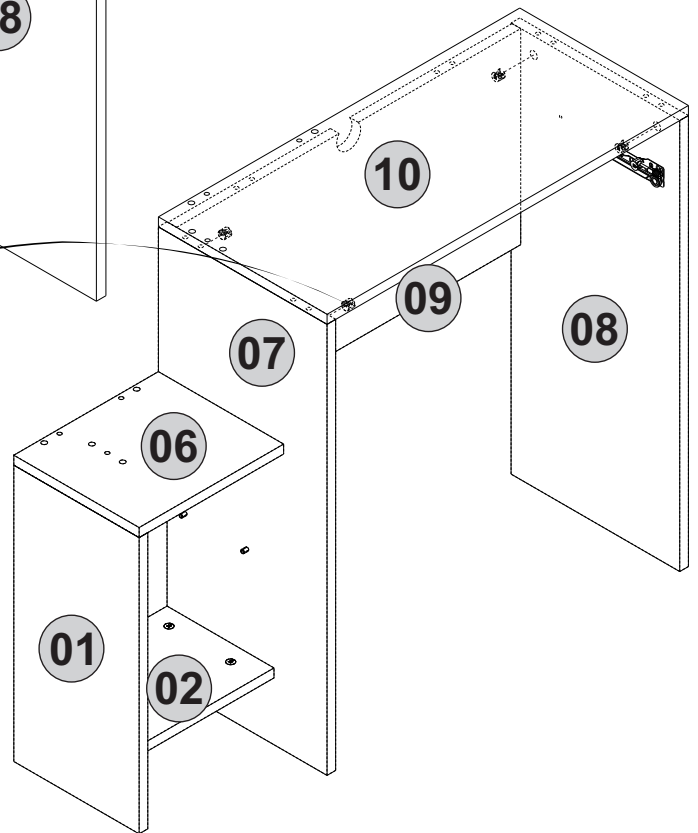
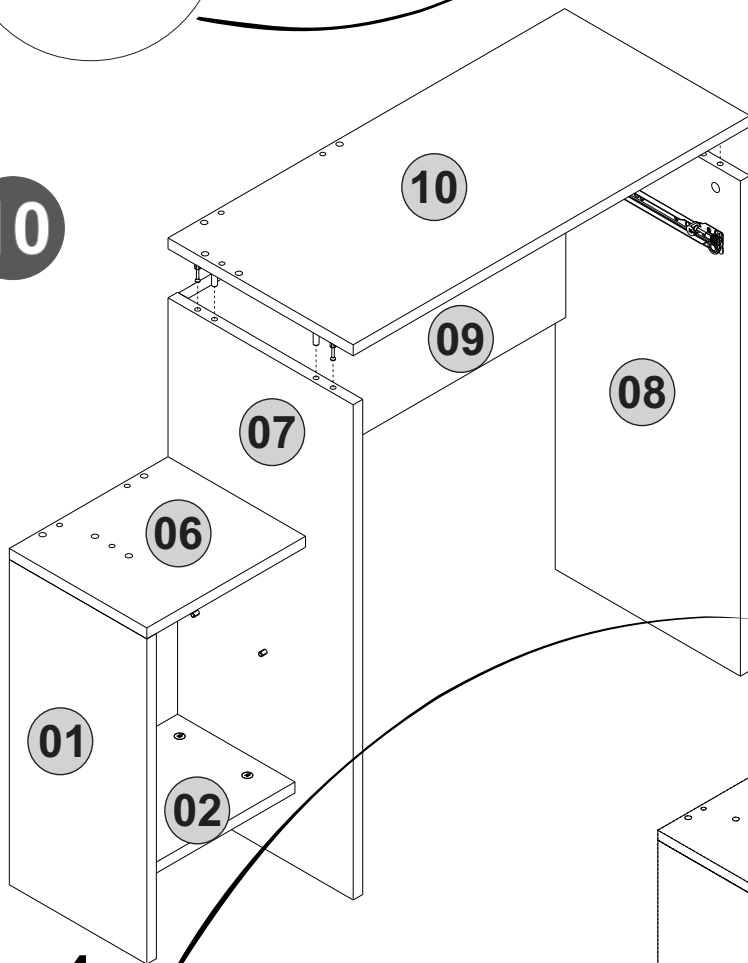
8



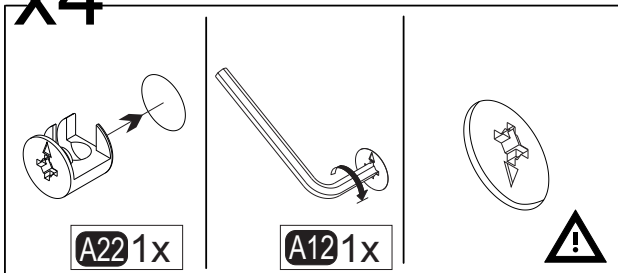
9

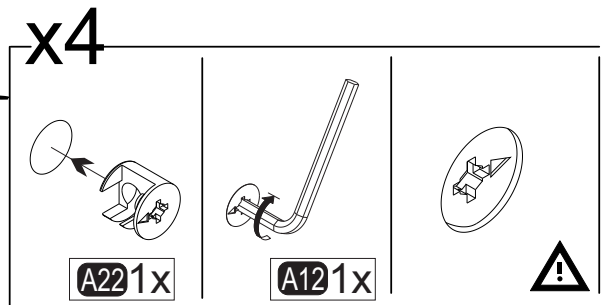
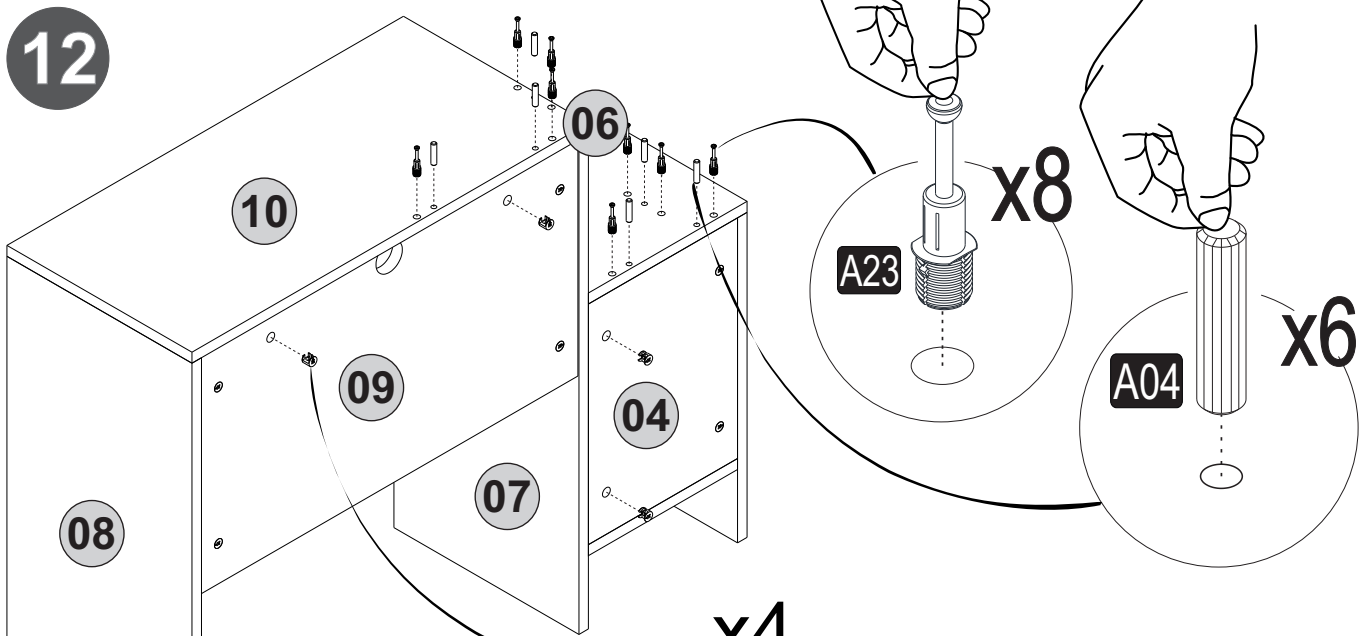
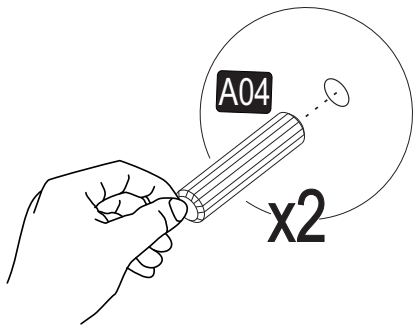
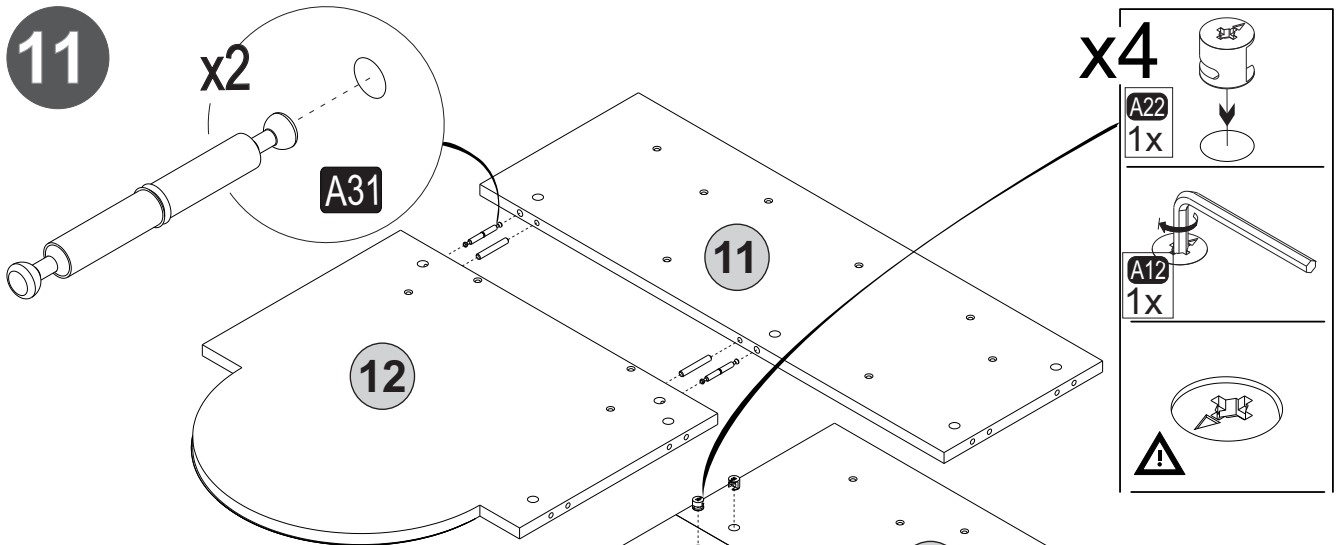


10

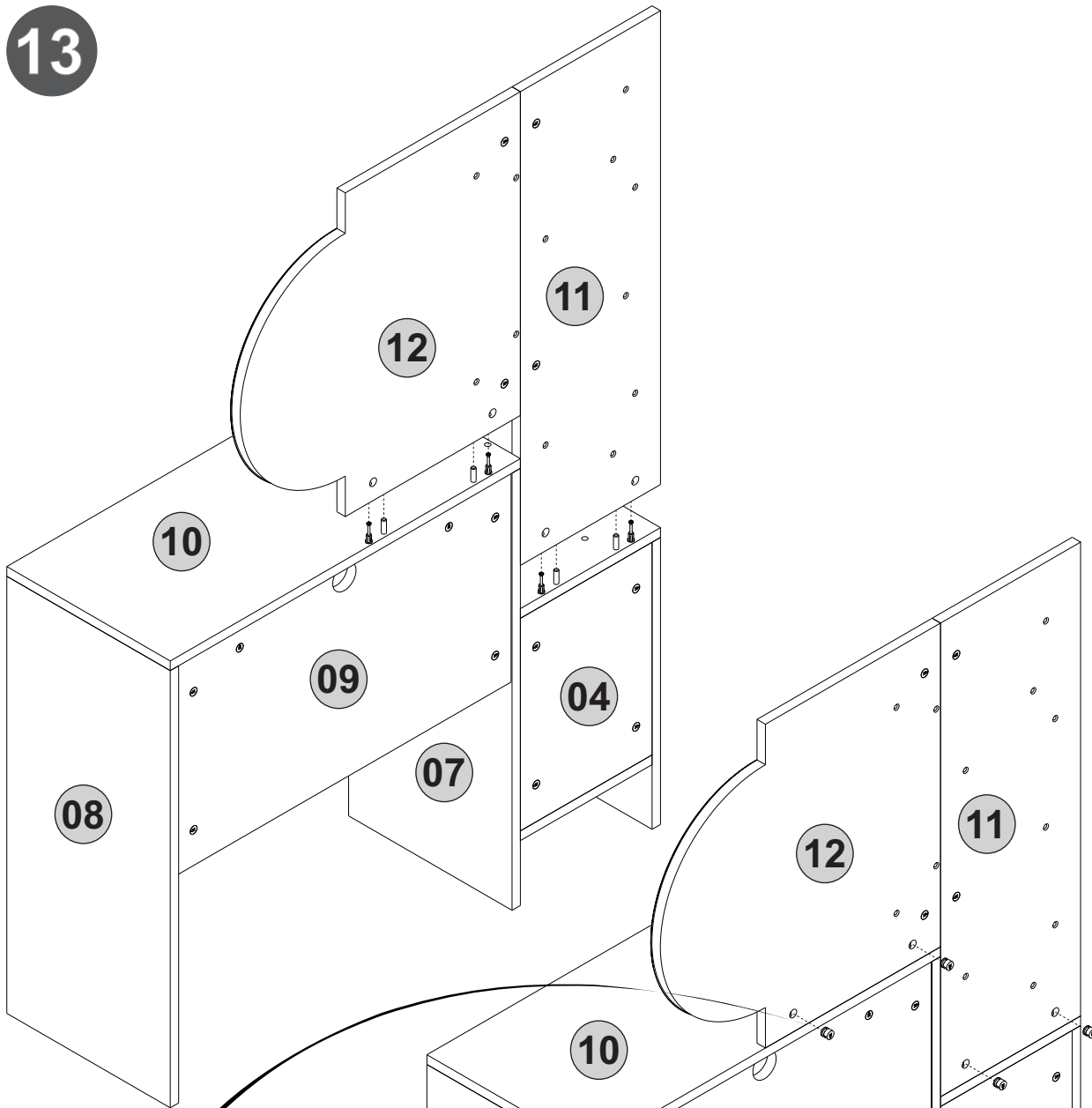


x4

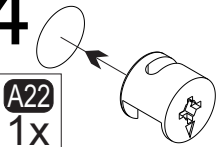
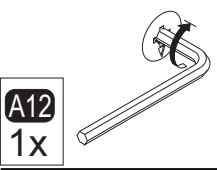
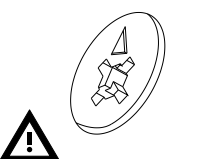




13

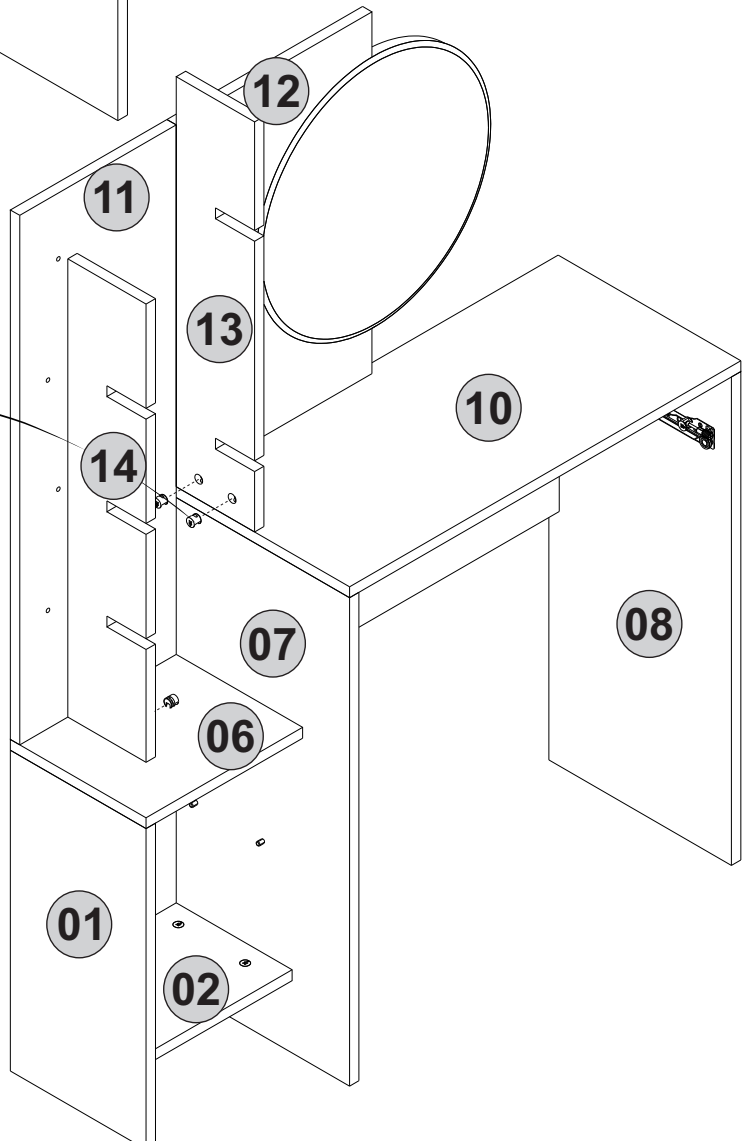
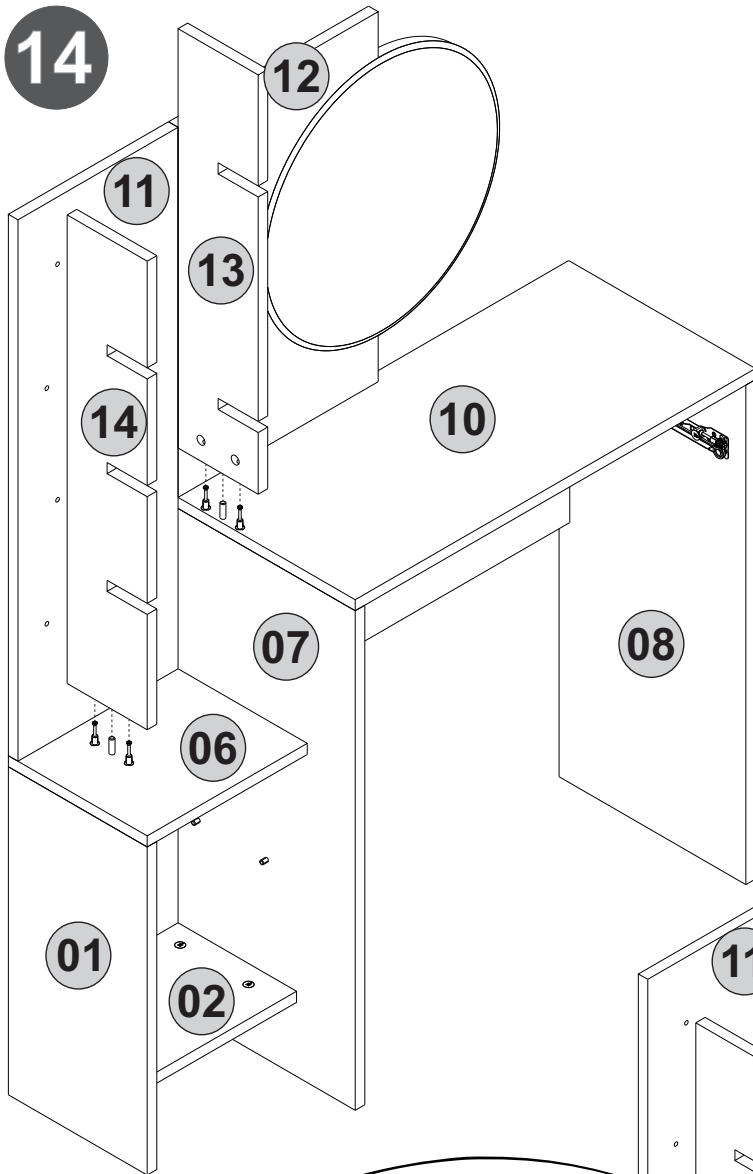


x4

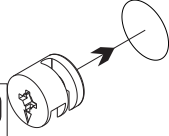
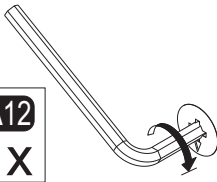
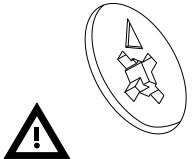
 A22 1x	
	

The diagram shows a list of hardware for step 13. It includes a screw labeled 'A22 1x' and a cam bolt labeled 'A12 1x'. Below the hardware list is a warning symbol consisting of an exclamation mark inside a triangle.

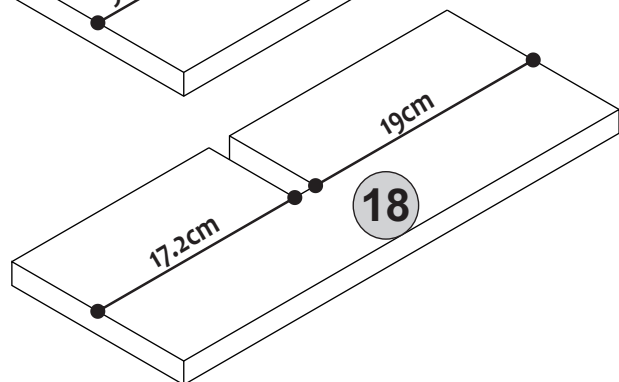
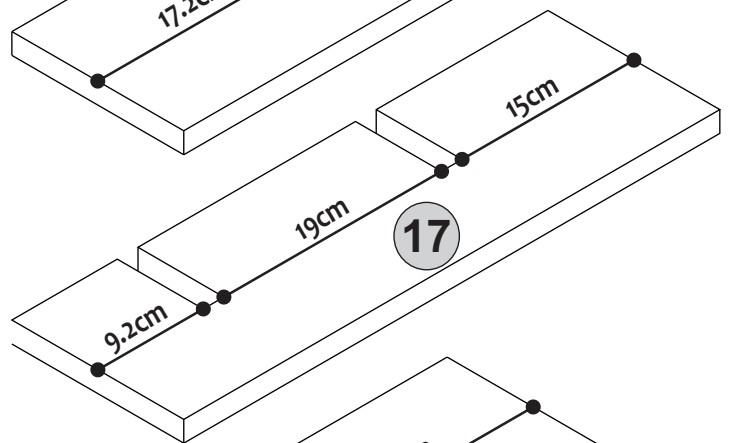
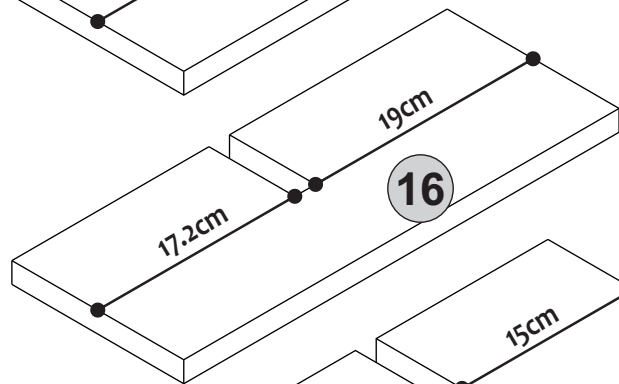
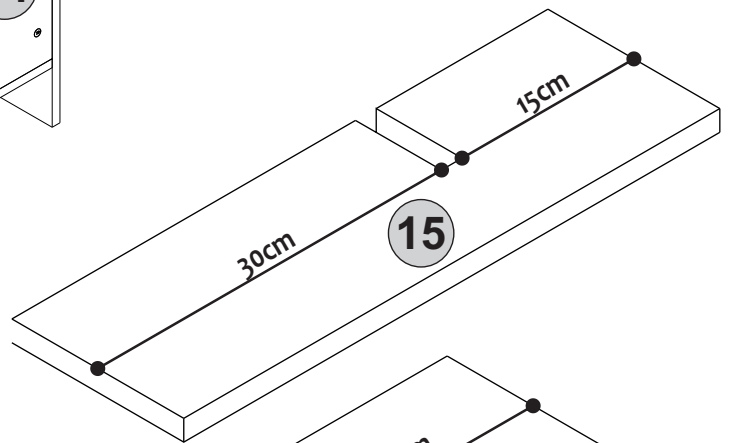
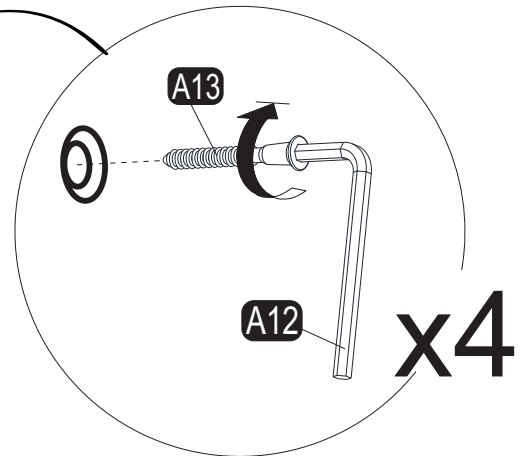
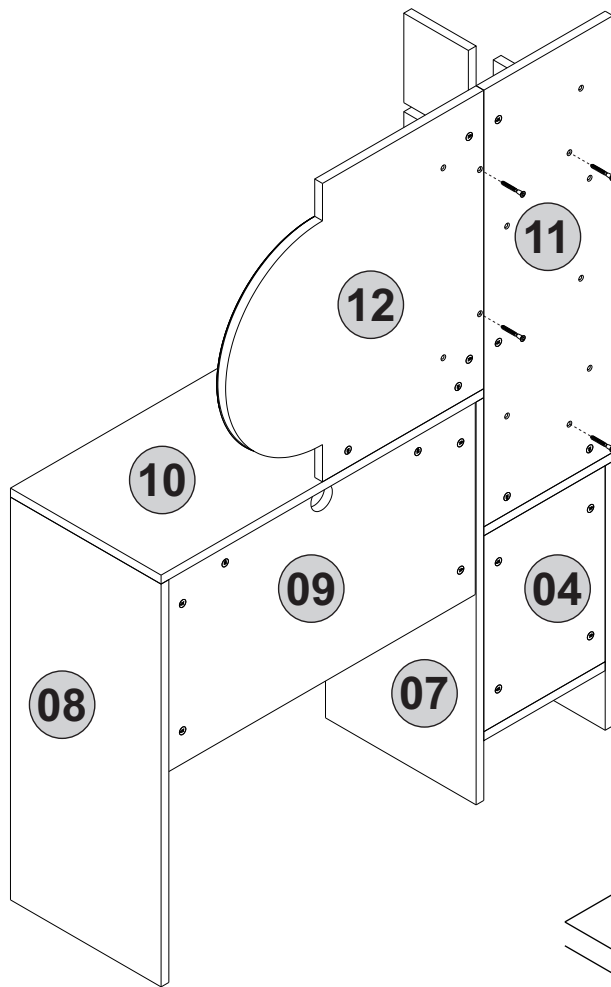
14



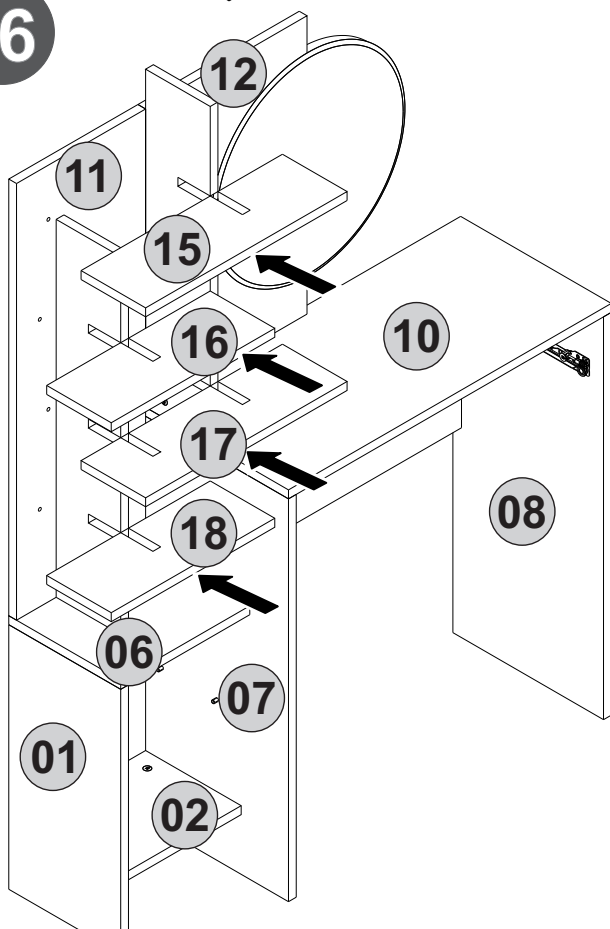
x4

 A22 1x
 A12 1x


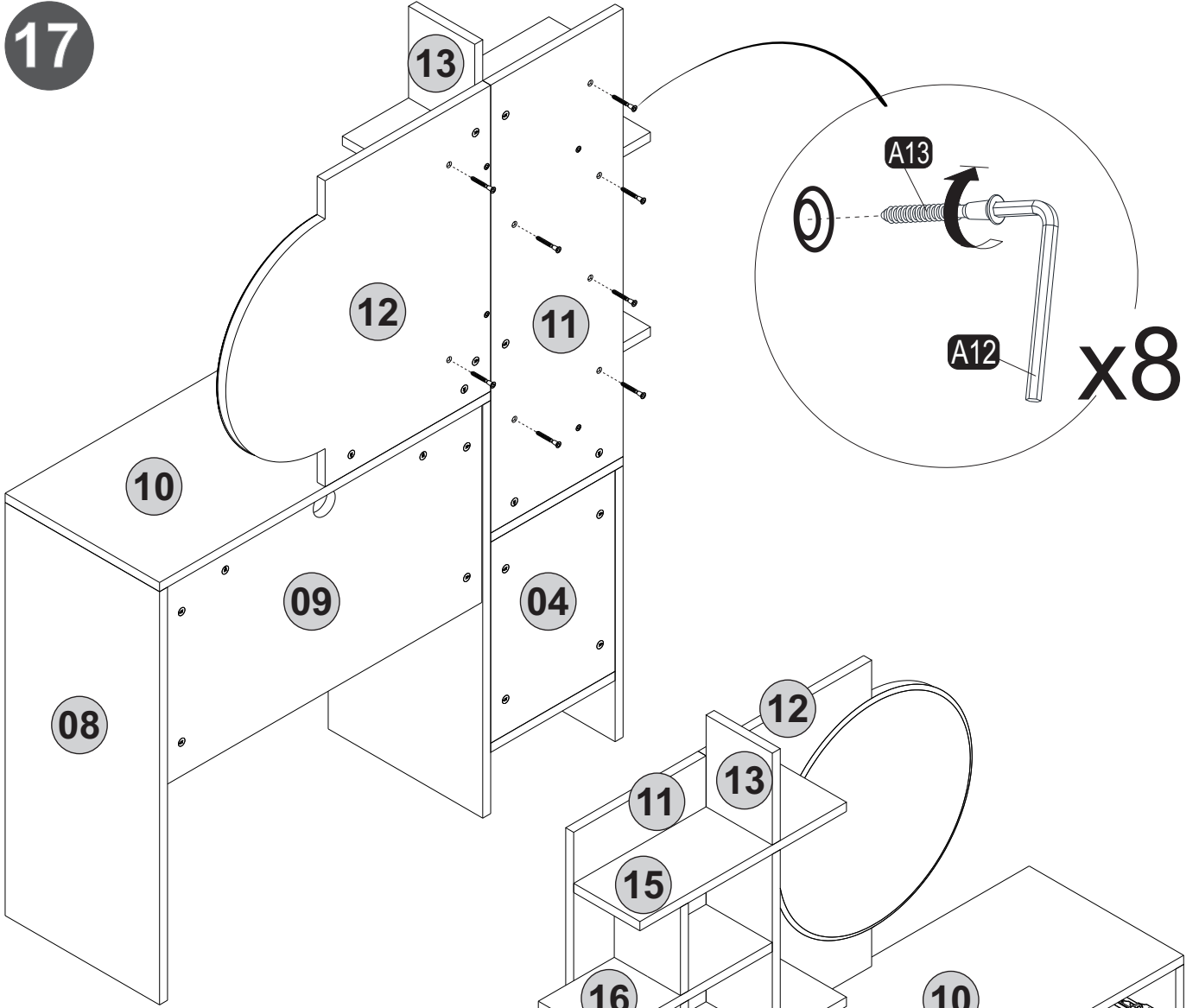
15



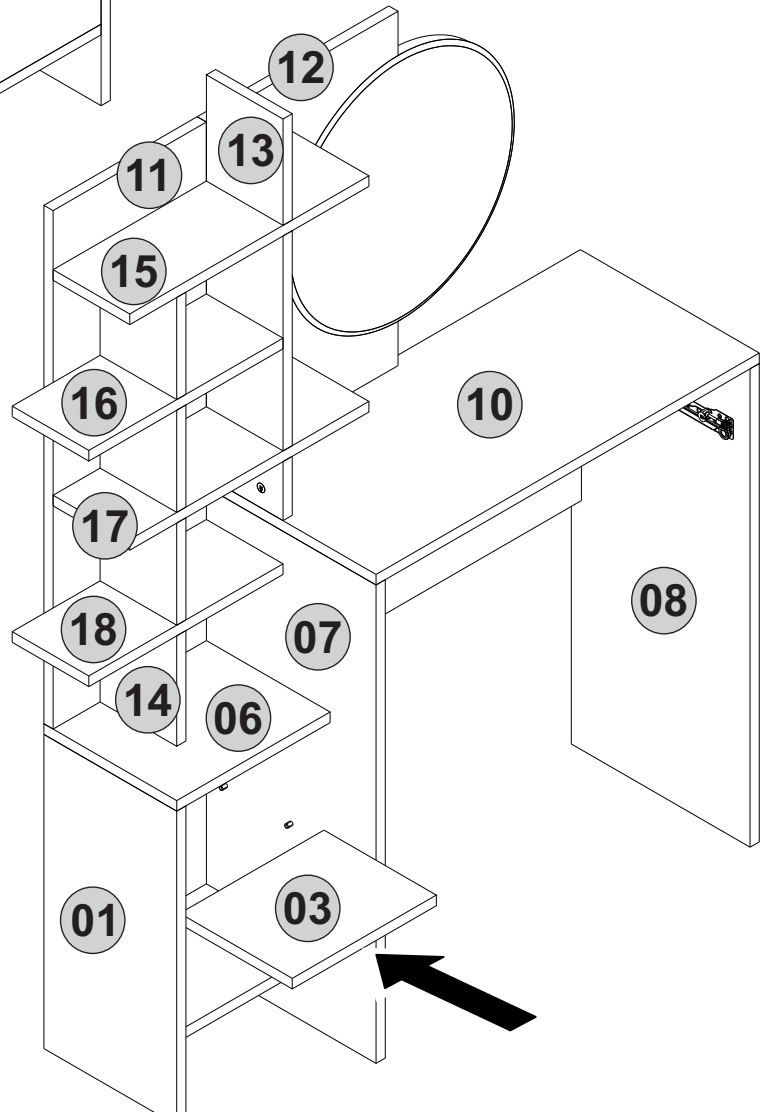
16



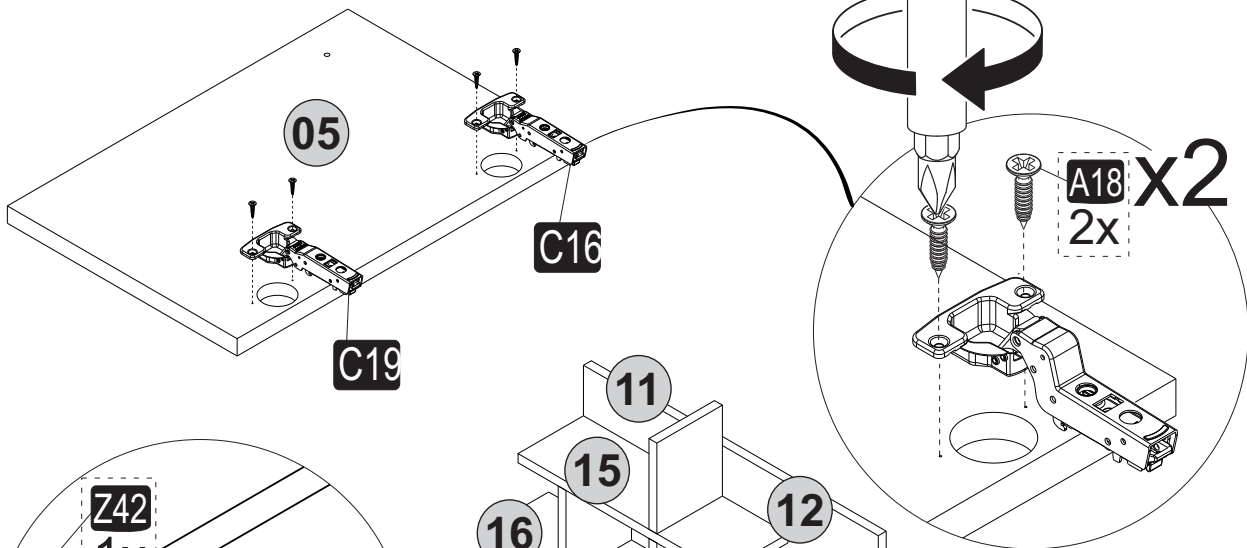
17



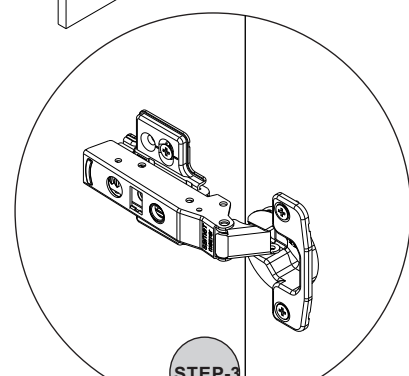
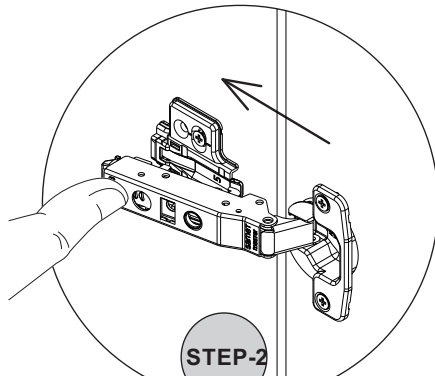
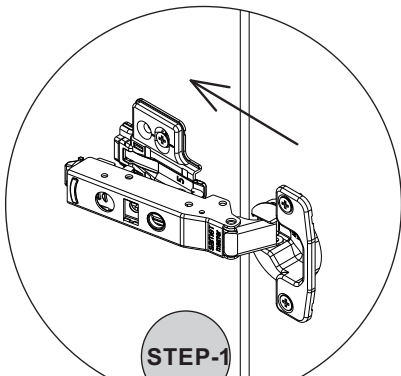
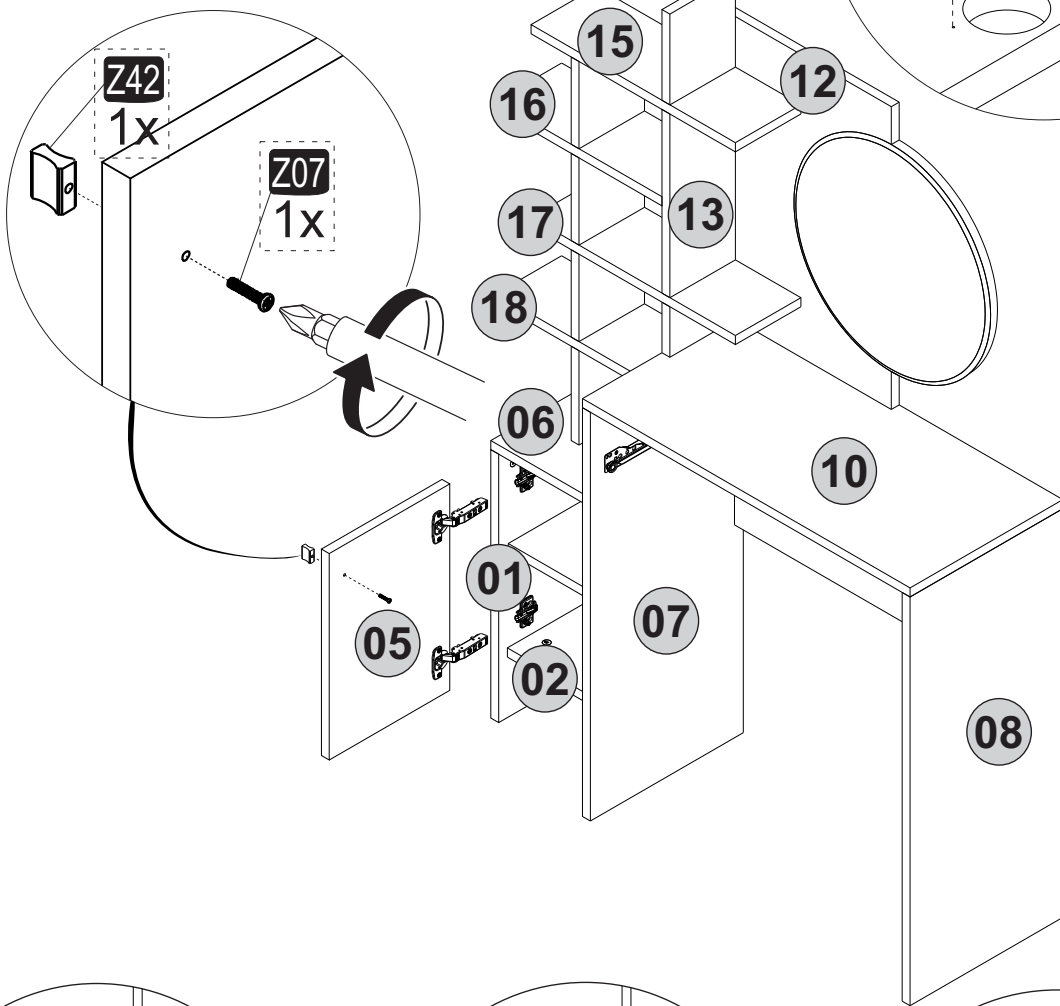
18



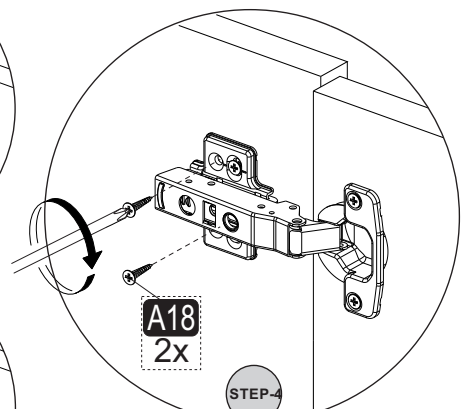
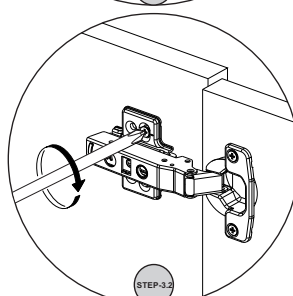
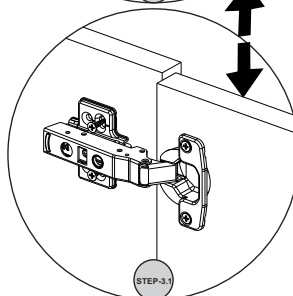
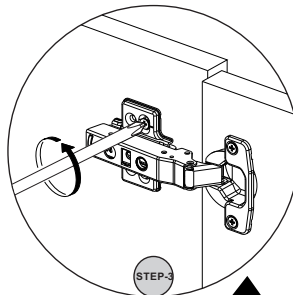
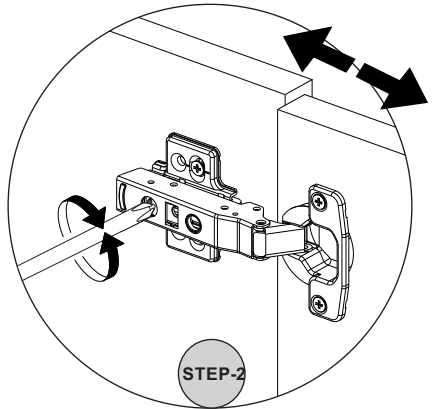
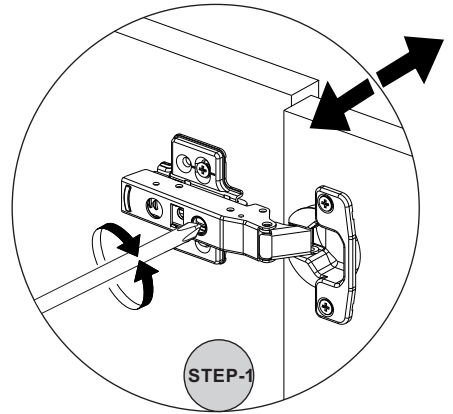
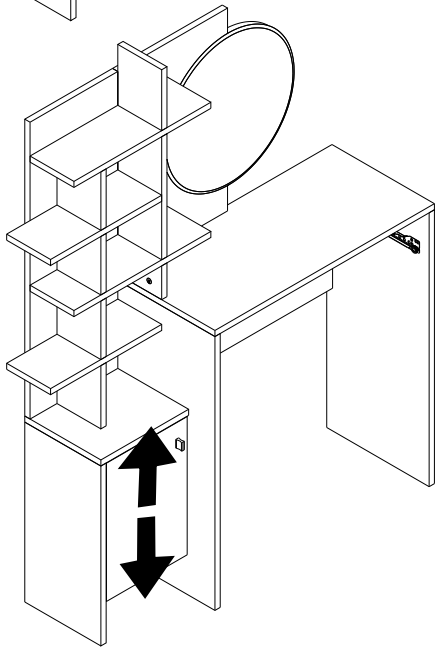
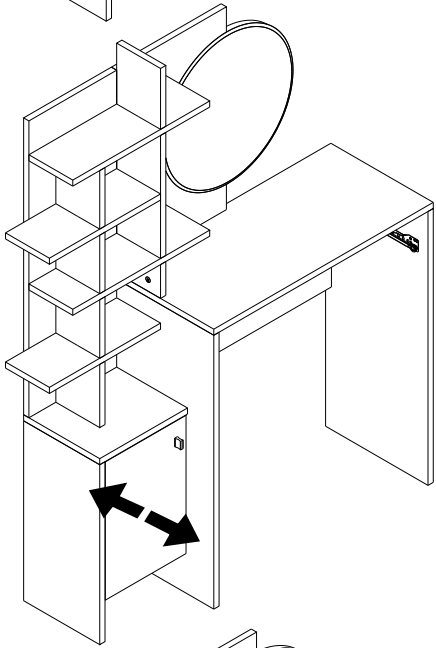
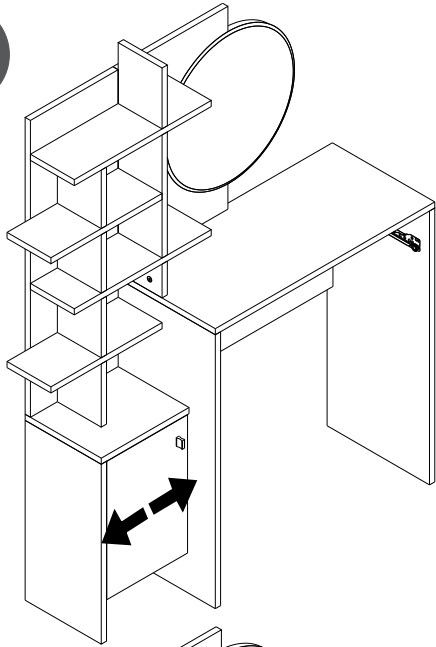
19

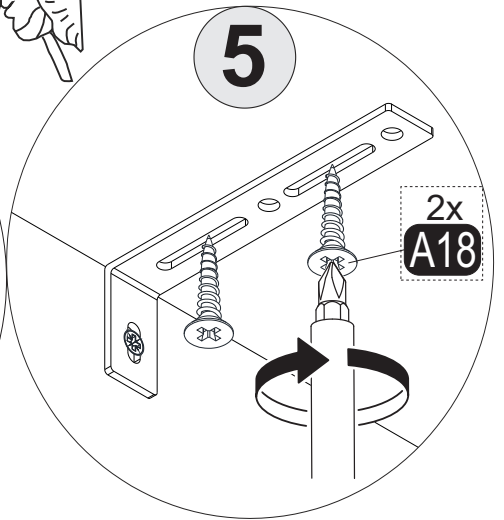
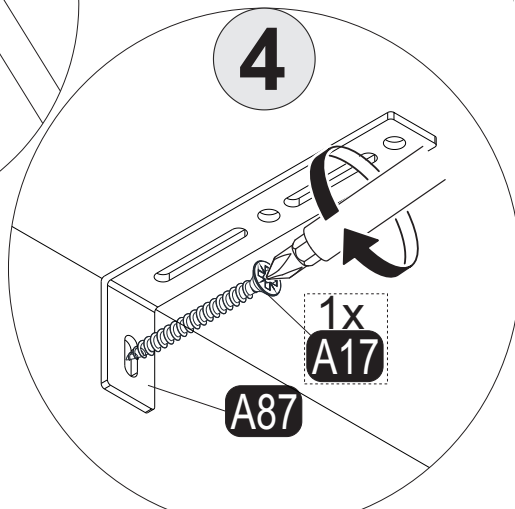
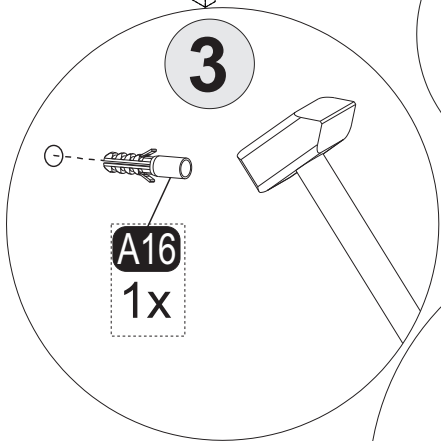
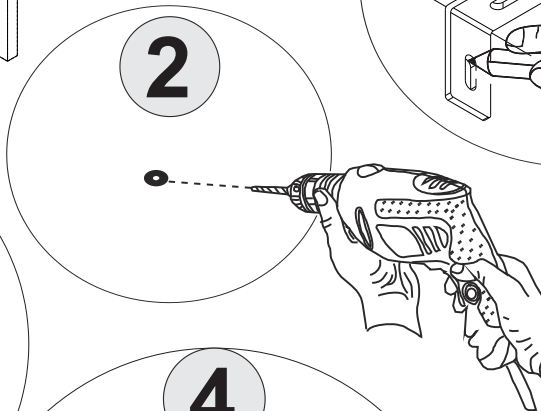
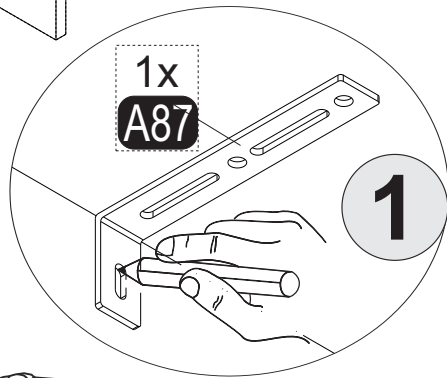
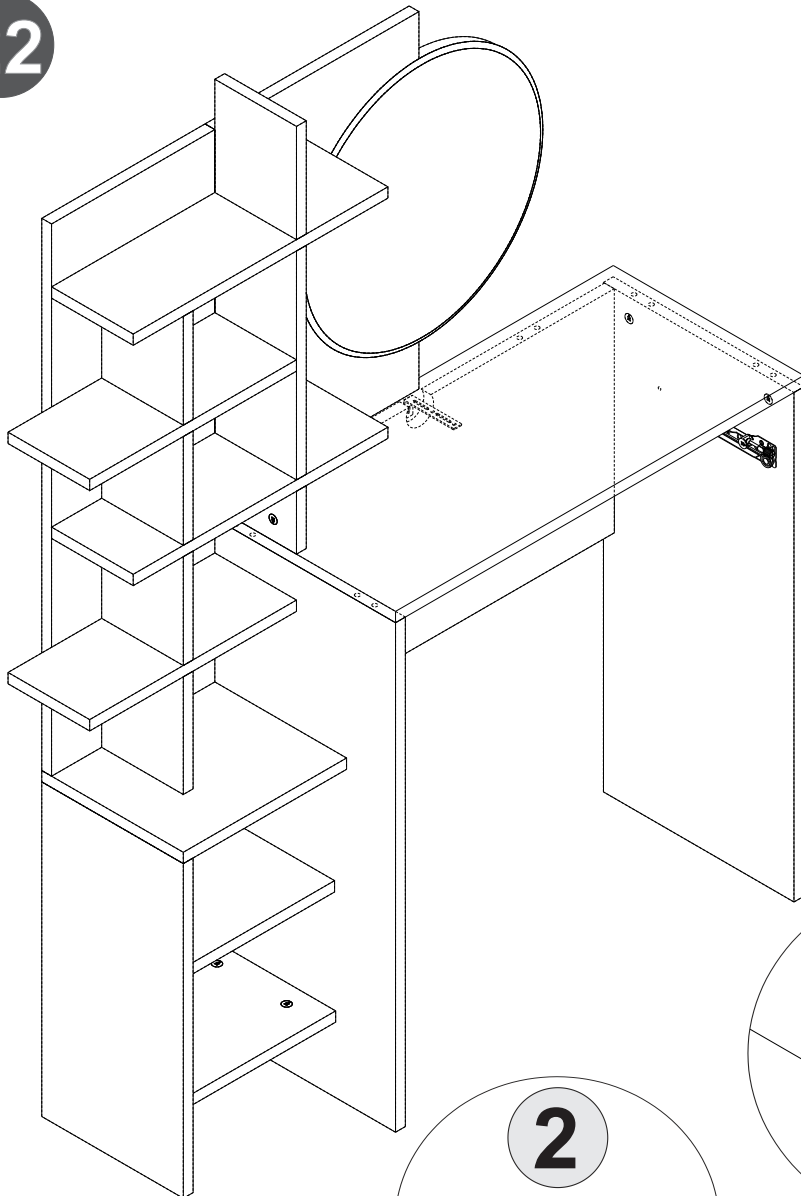


20

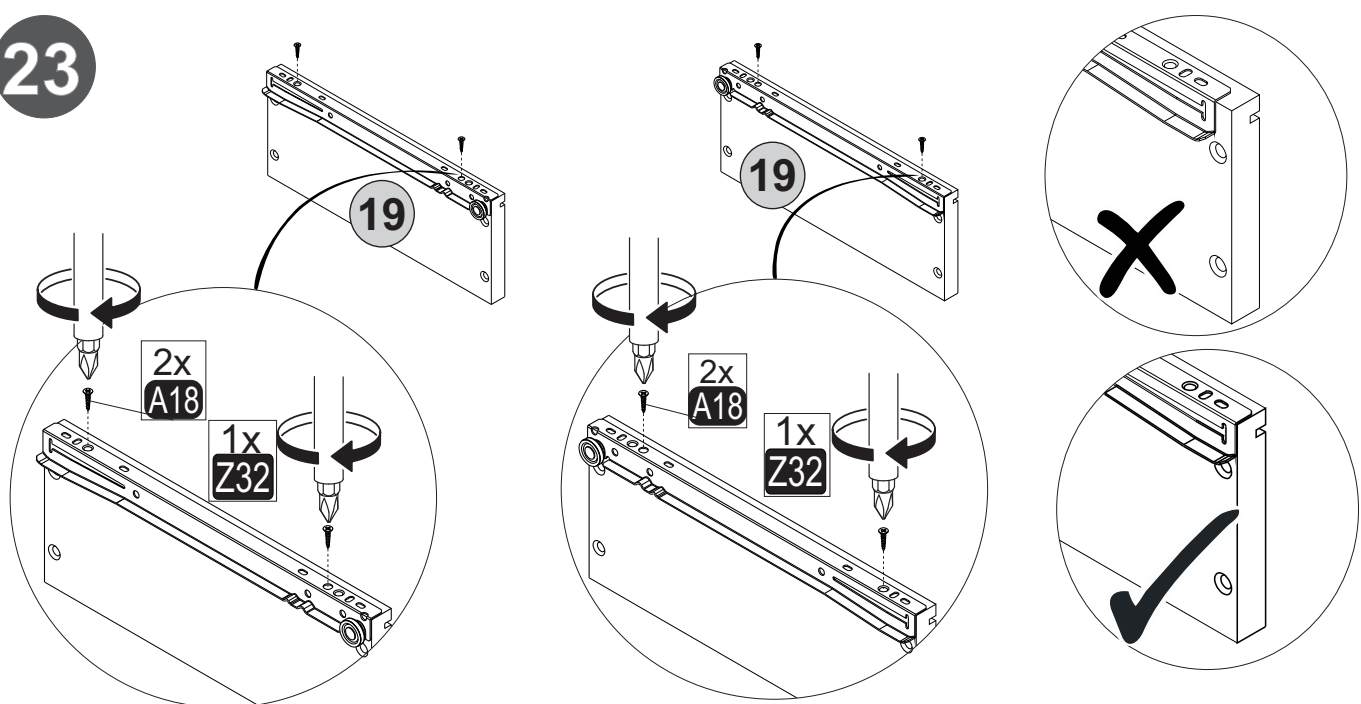


21

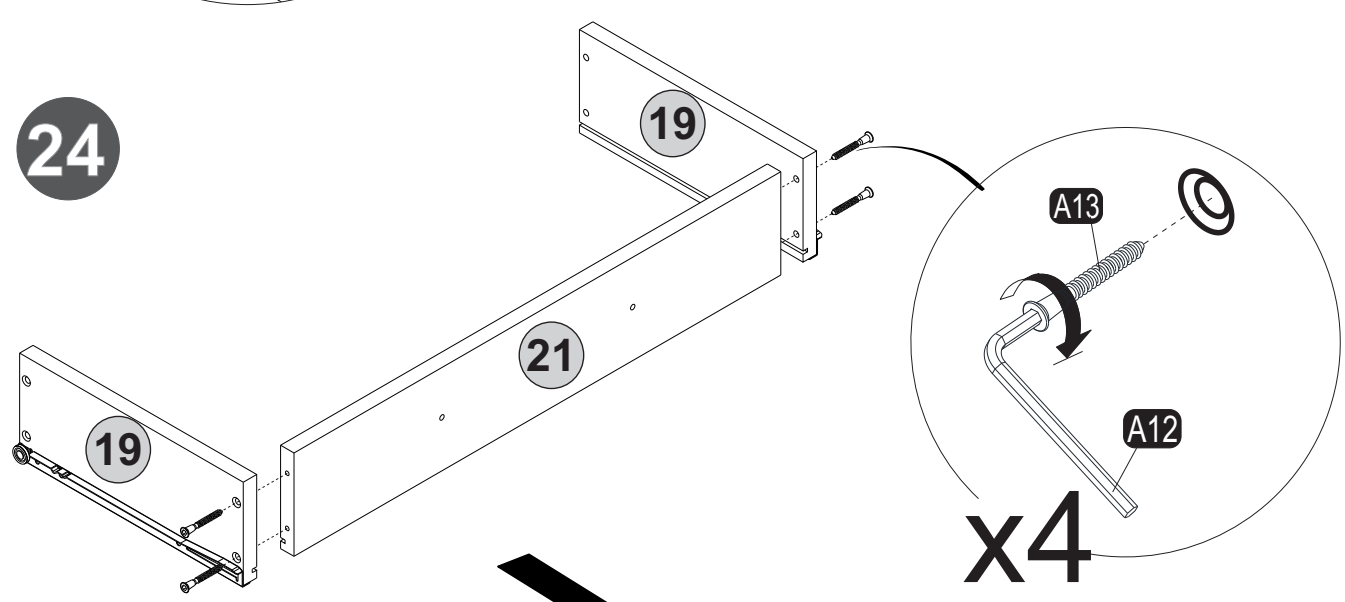




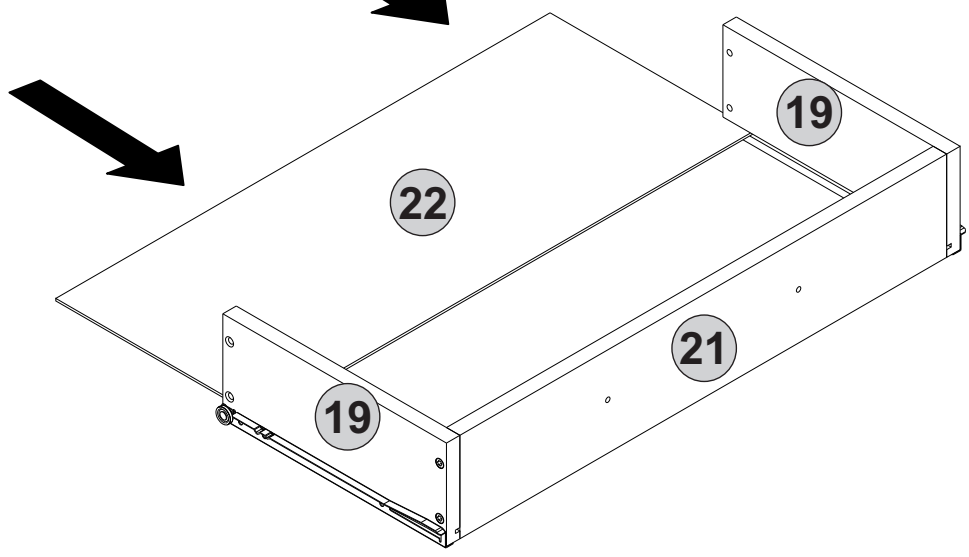
23



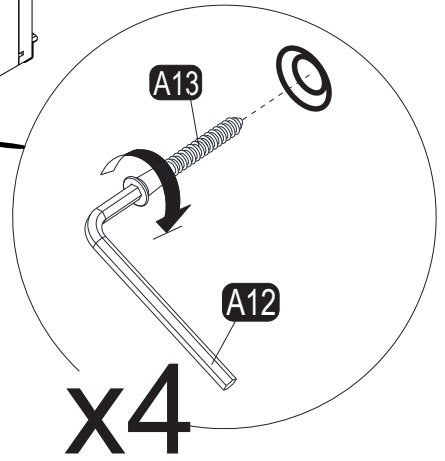
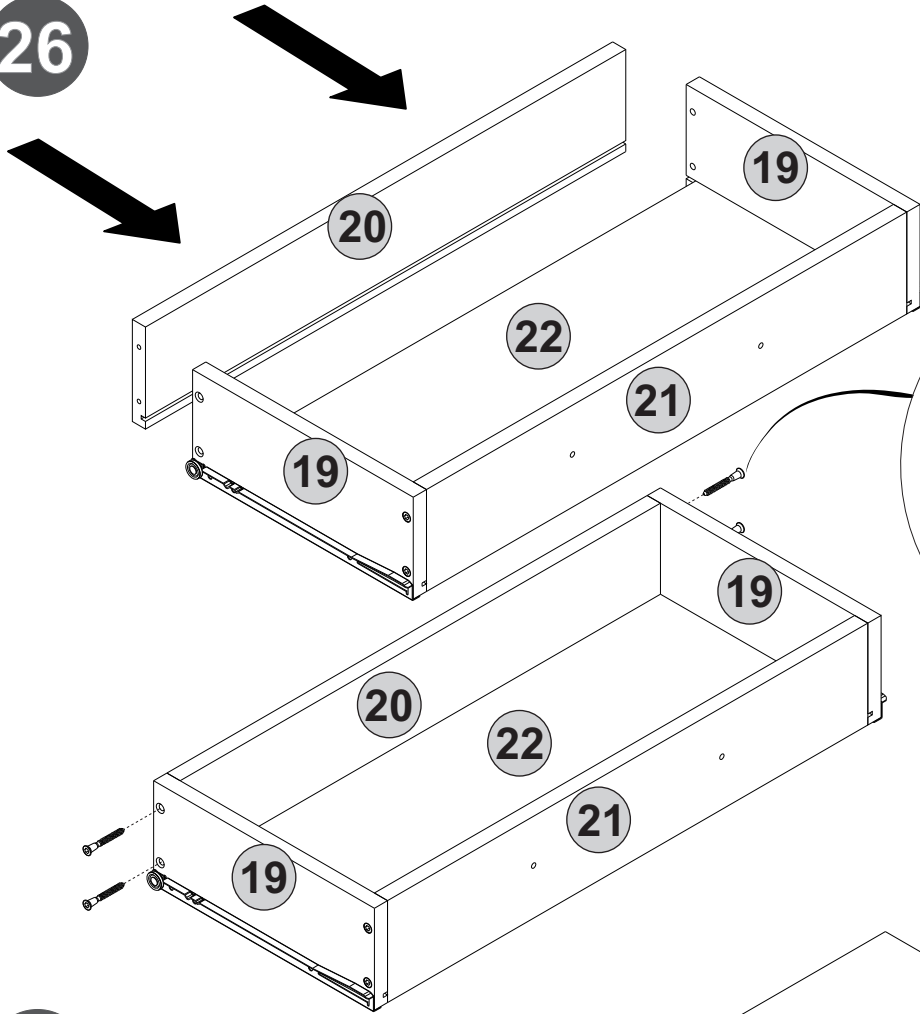
24



25

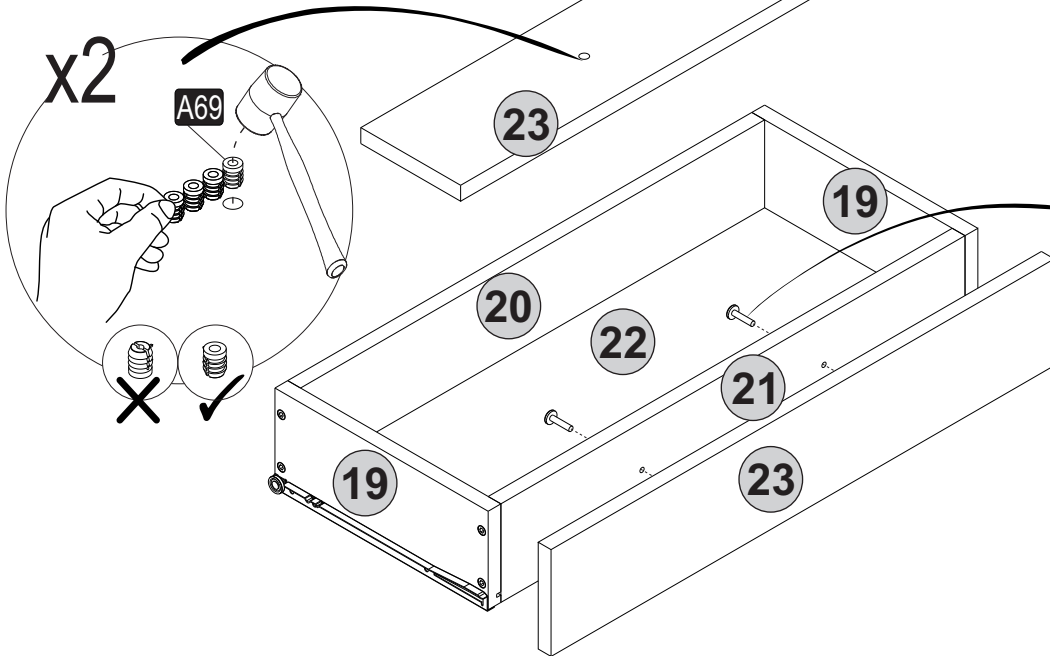


26



x4

27



x2

