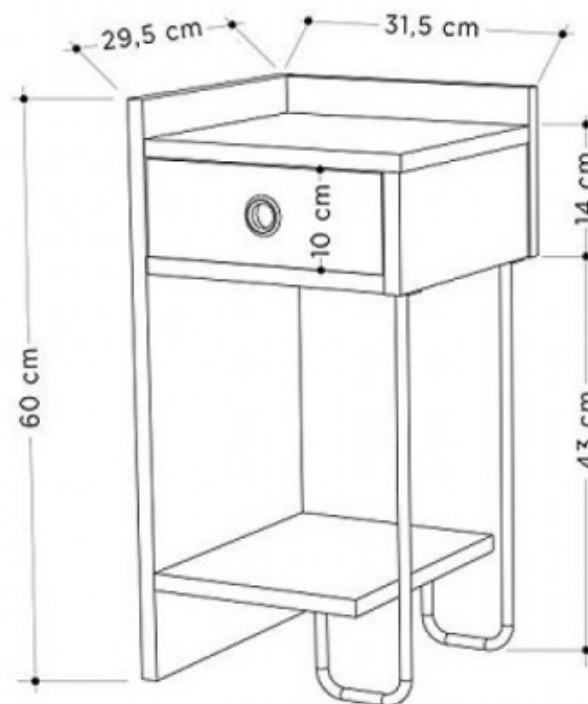


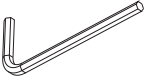





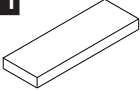
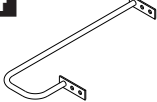
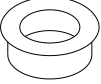
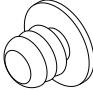
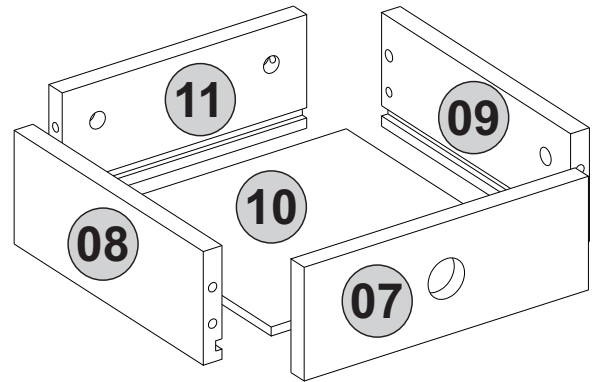
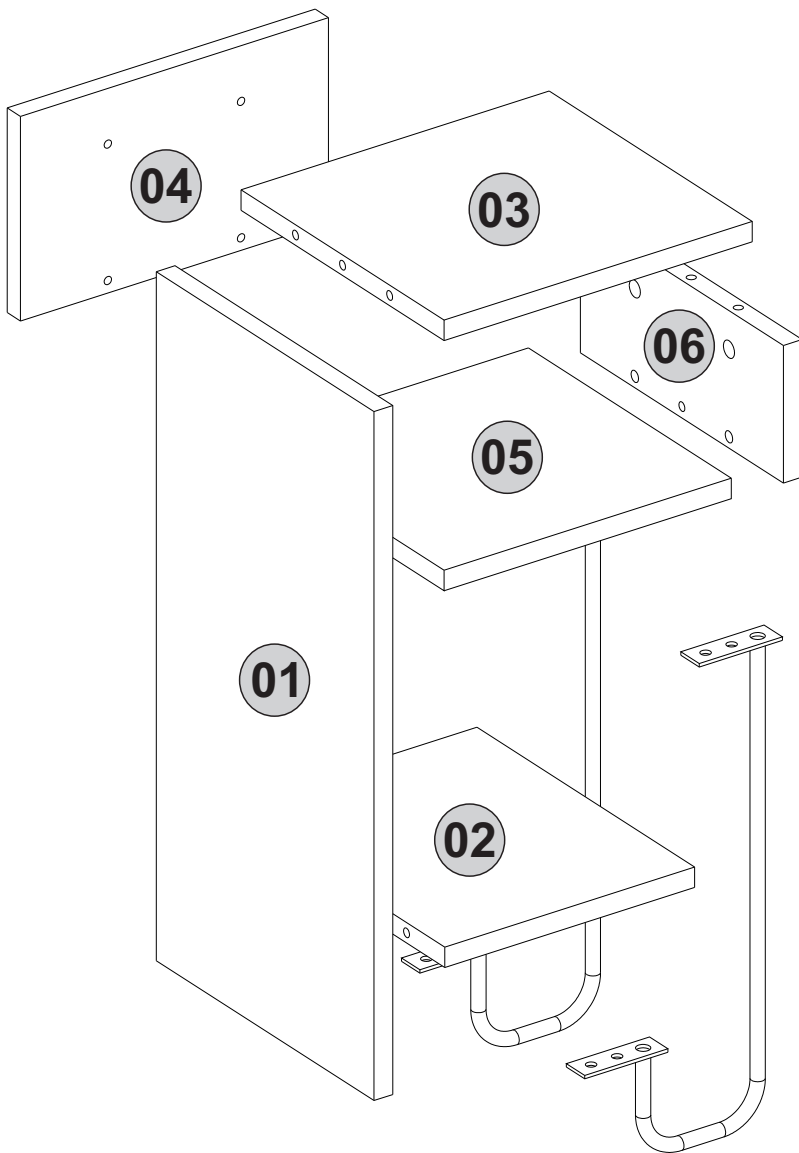


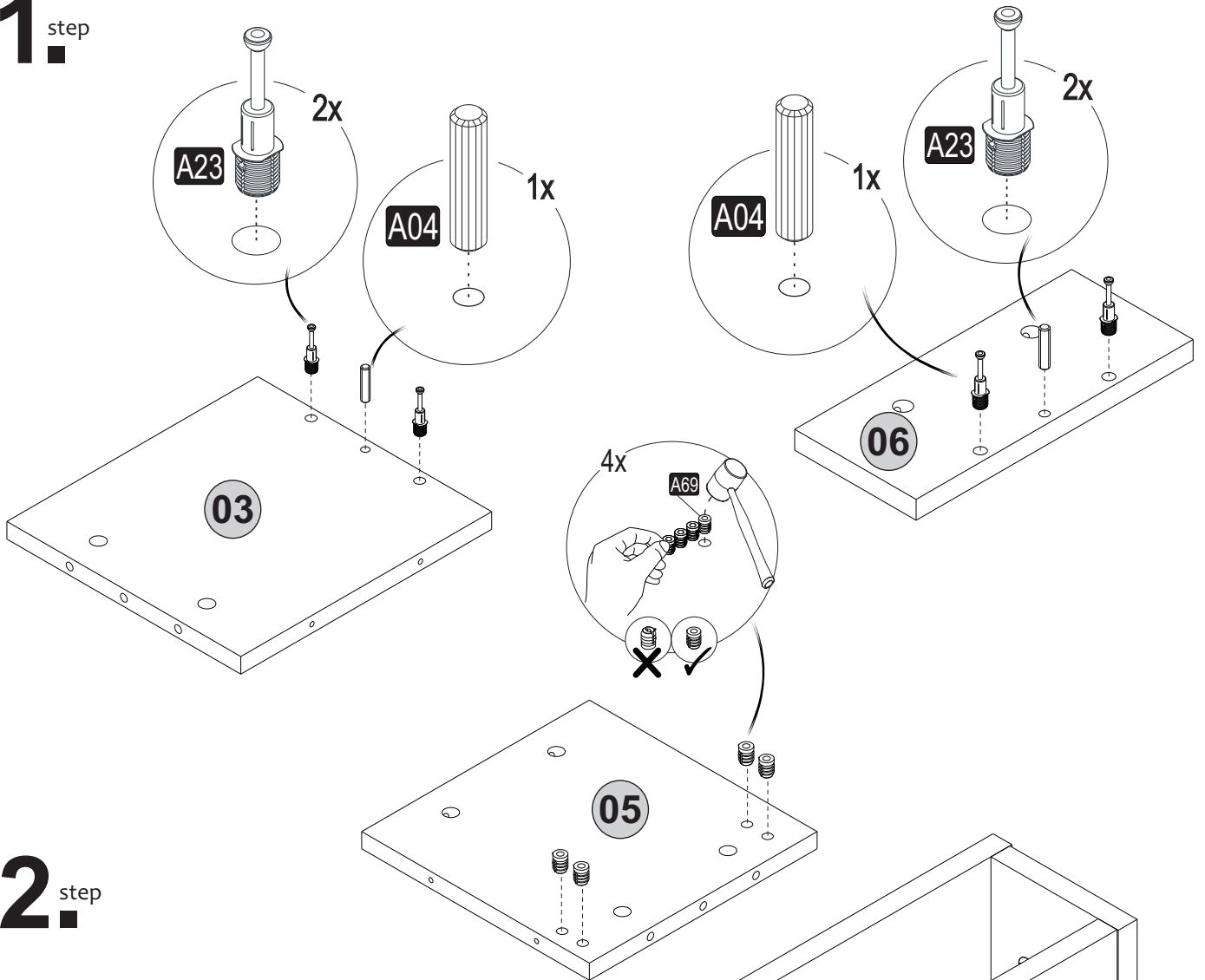
i GP037-0164,2



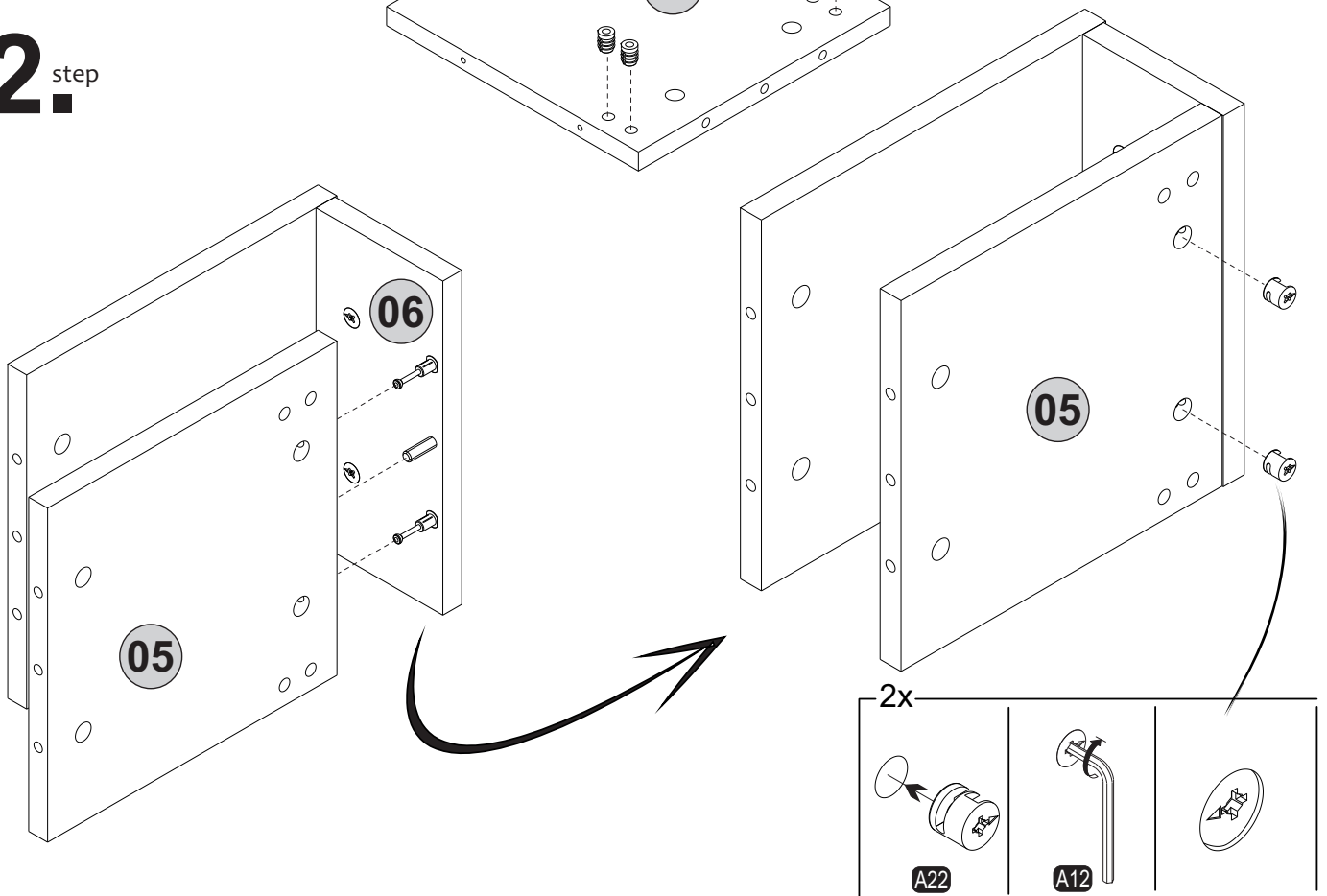
| | | | | |
|----------------------------------------------------------------------------------------------------------------------------|-------------------------------------------------------------------------------------------------------------------|-----------------------------------------------------------------------------------------------------------------------|------------------------------------------------------------------------------------------------------------------|-------------------------------------------------------------------------------------------------------------------------|
| A04 Ø8  9x | A06 18mm  C1-18x | A12 Allen  1x | A13 50mm  4x | A22 Minifix k18  14x |
| A23 Minifix M10  14x | A69 P.D.  8x | B15 15 (black)mm  8x | PB01 Kece  2x | Z24 Ma Ay004  2x |
| Z37 35mm pygk (Black)  1x | Z54 Pp1501  2x | | | |



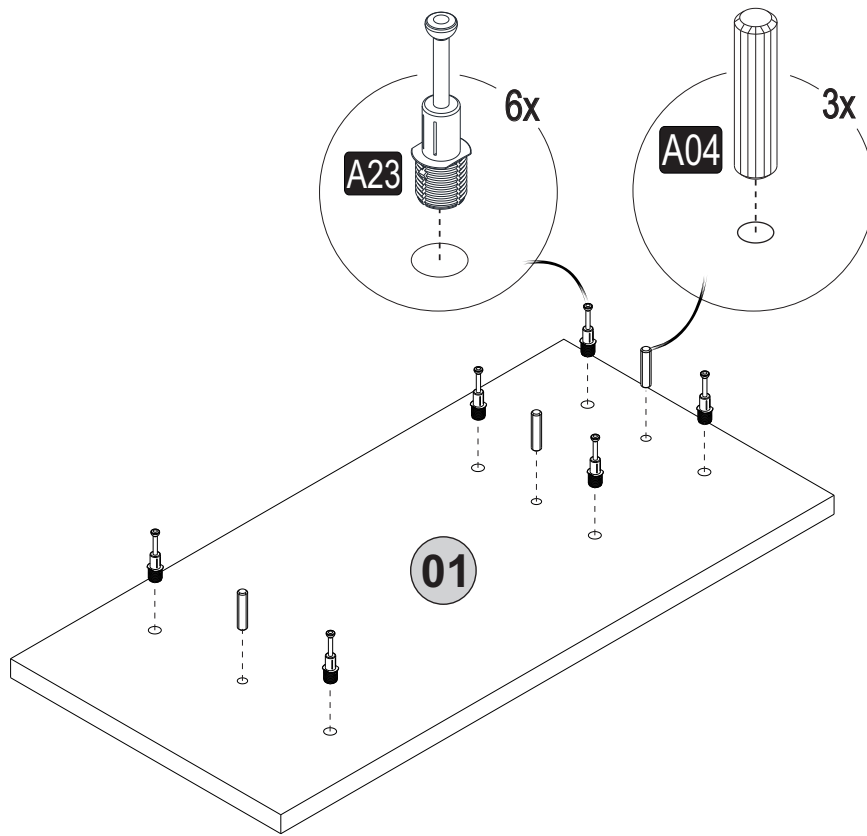
1. step



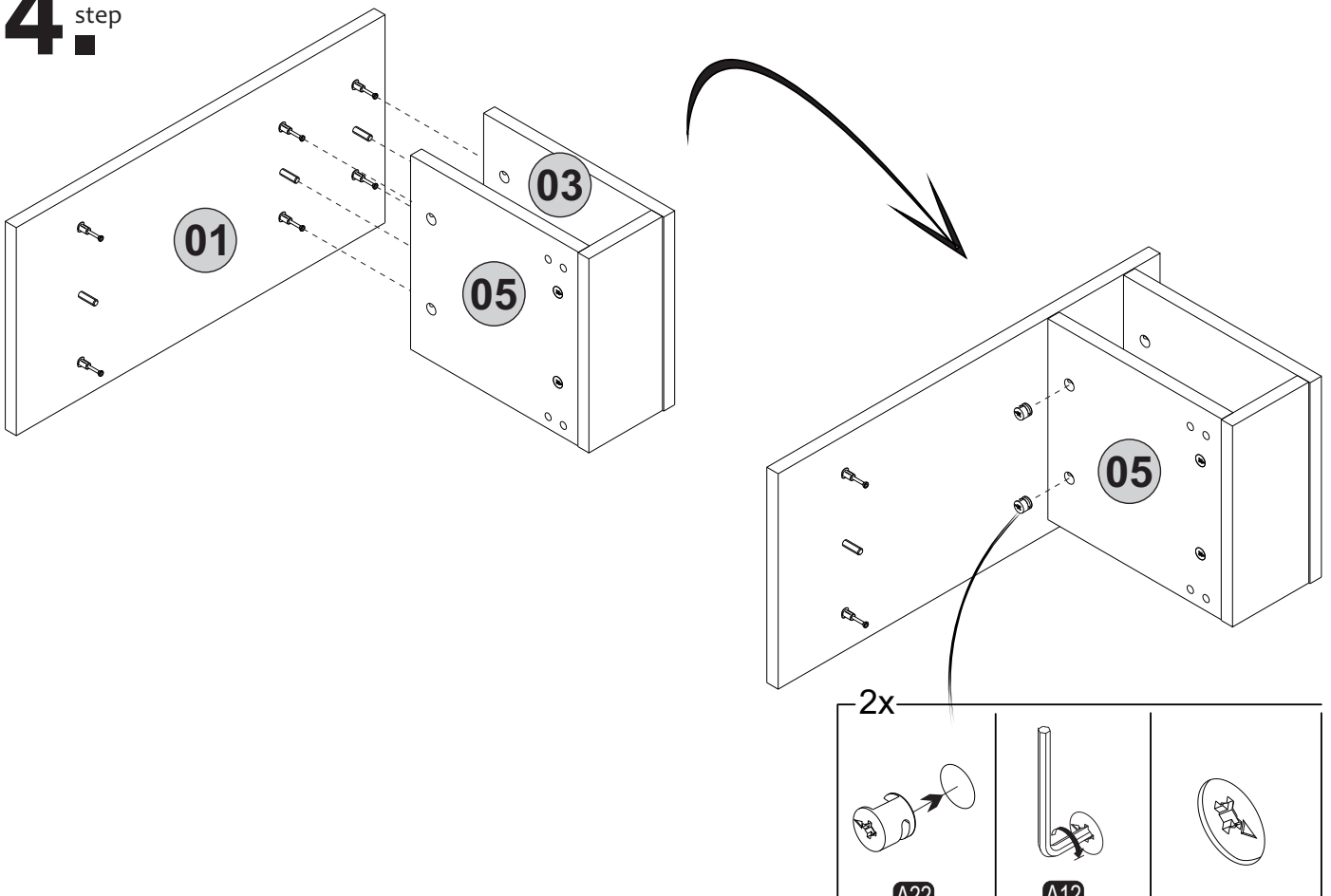
2. step



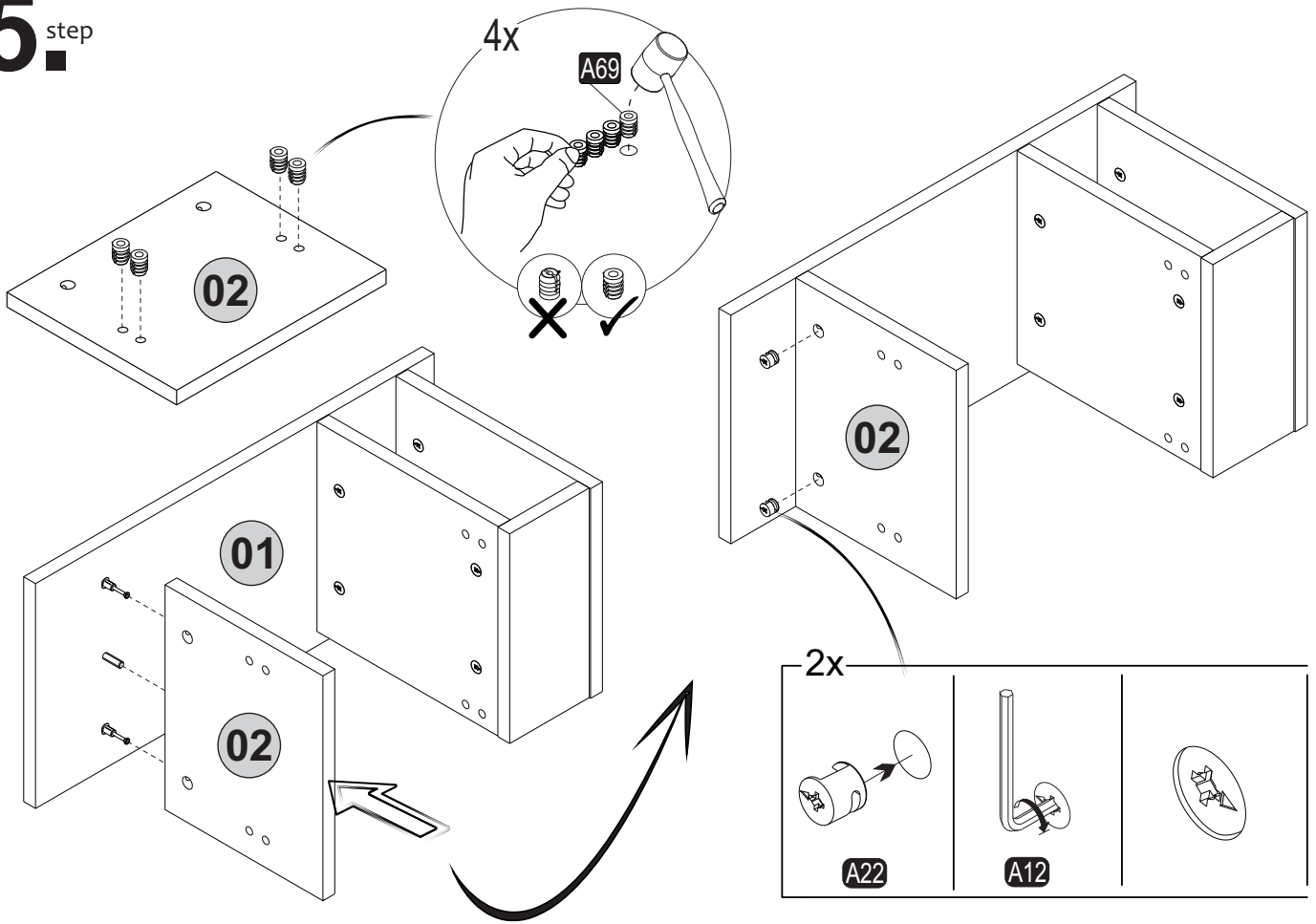
3. step



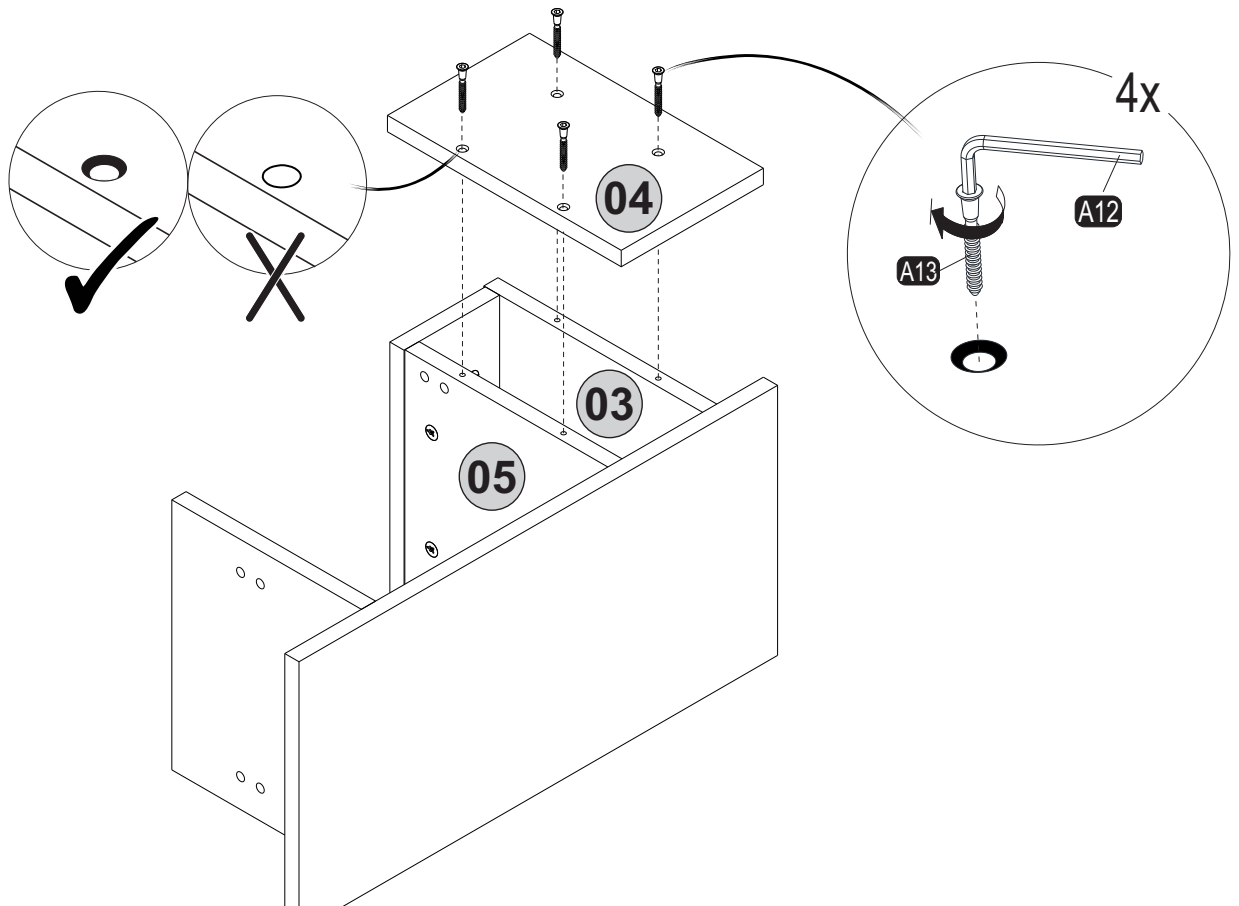
4. step



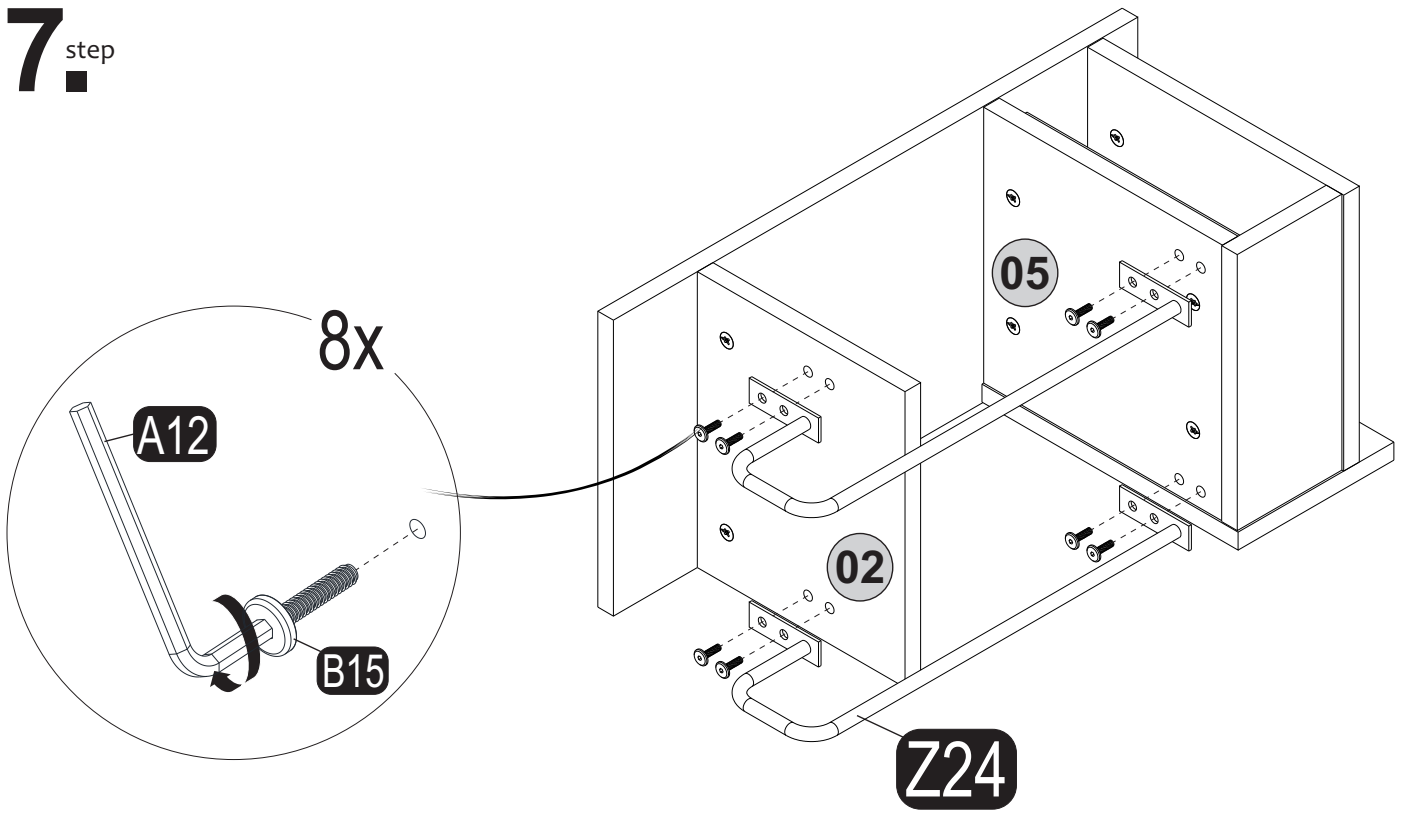
5. step



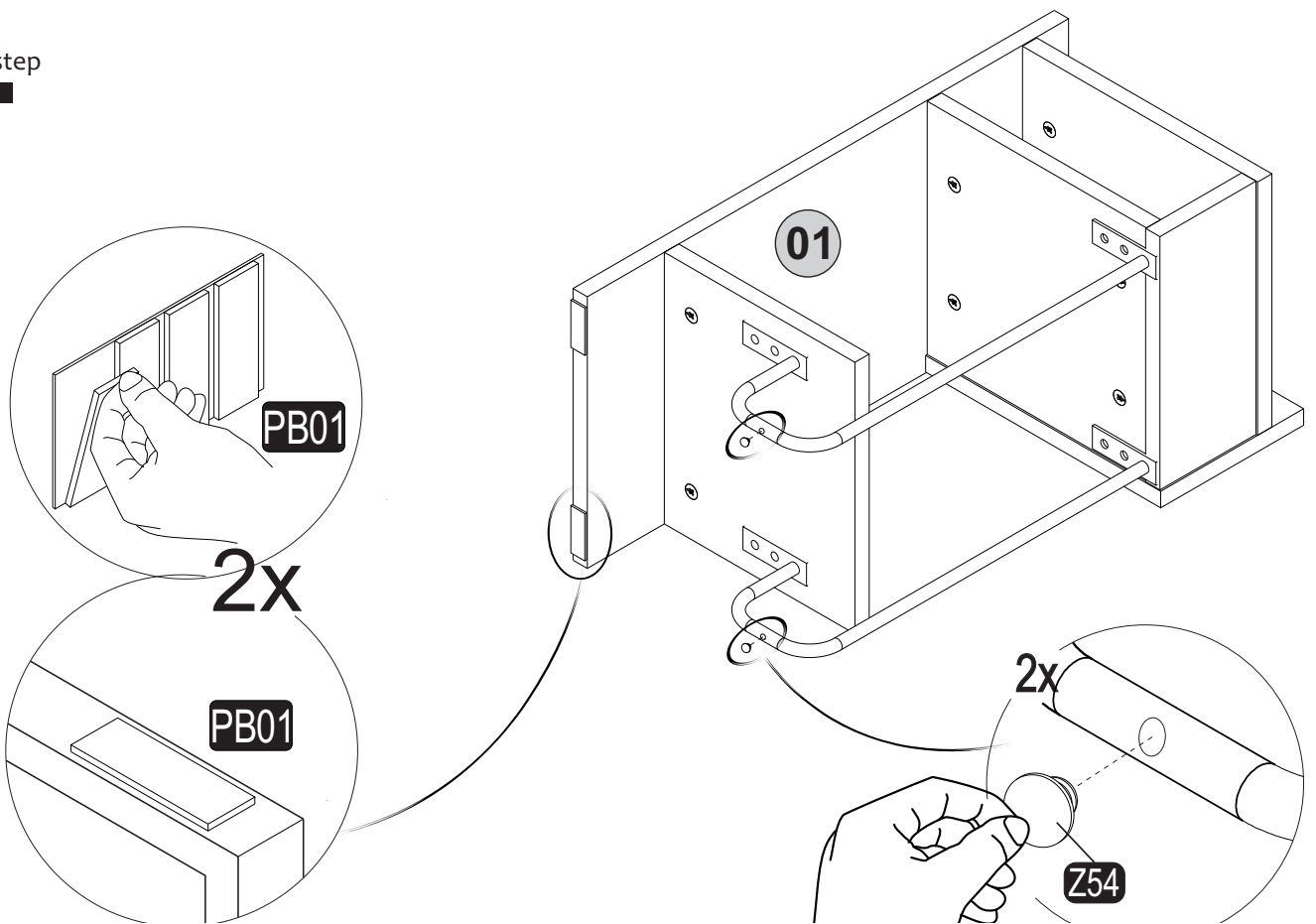
6. step



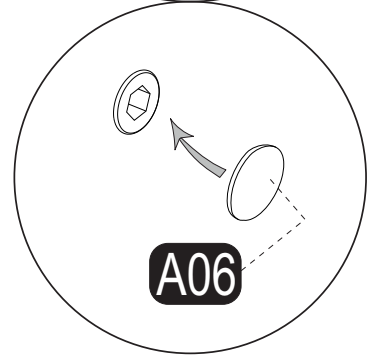
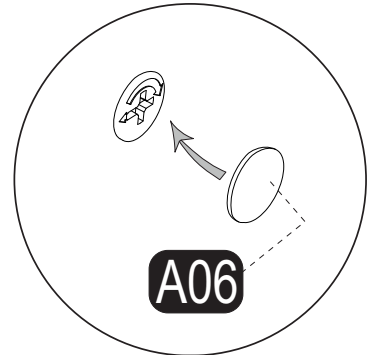
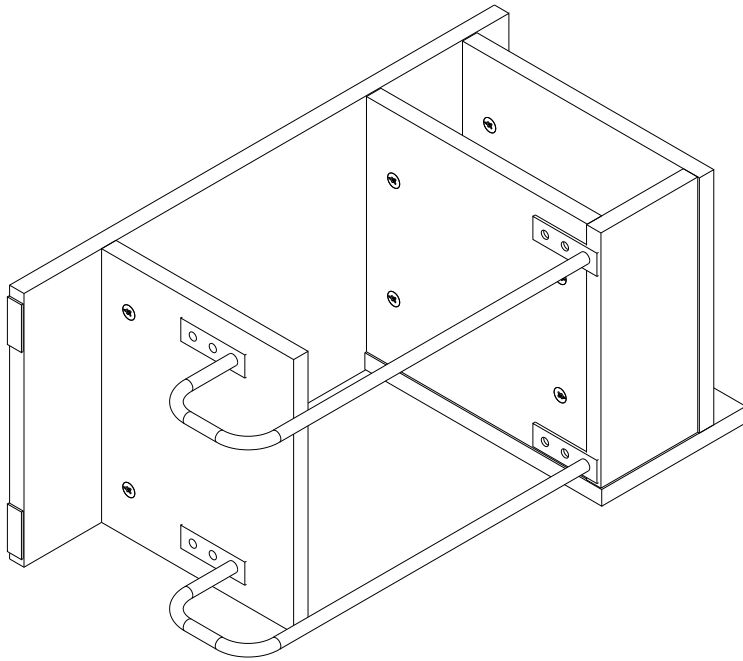
7 step



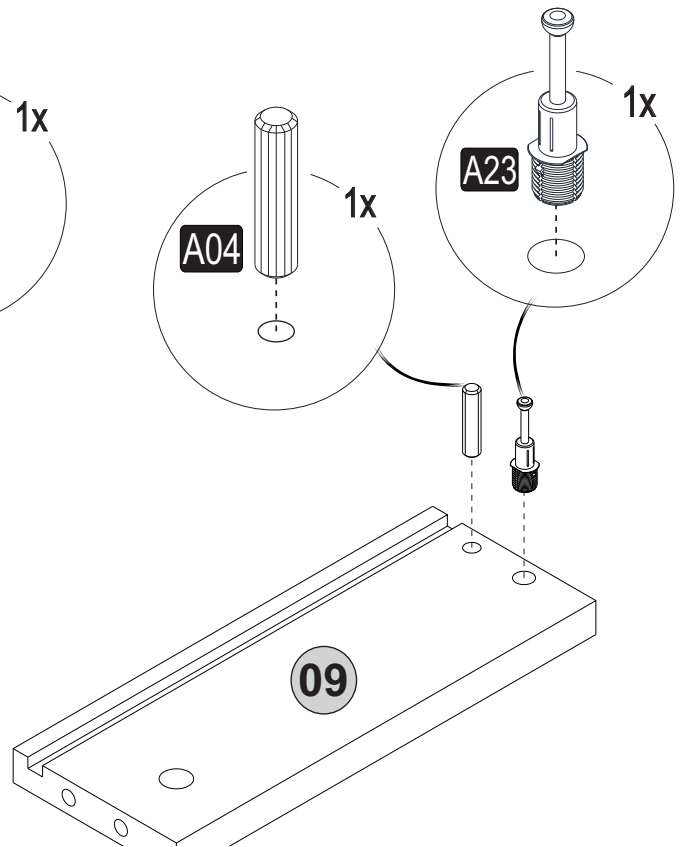
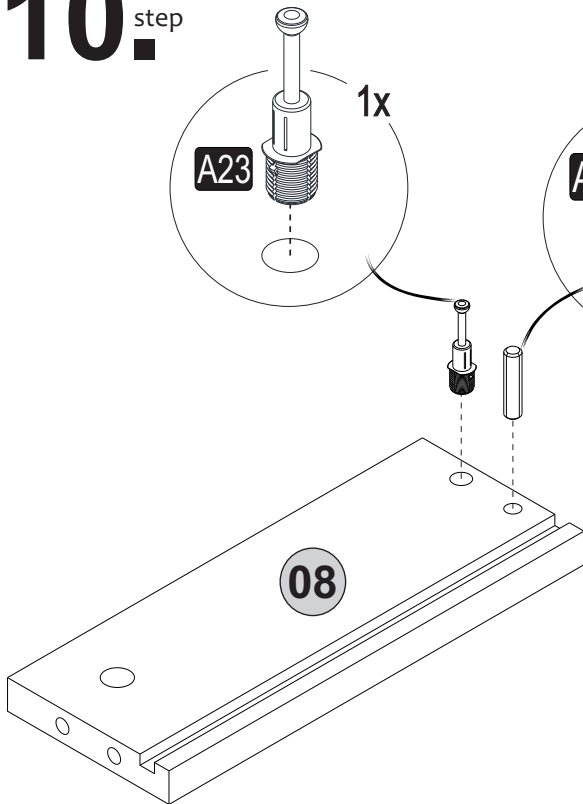
8 step



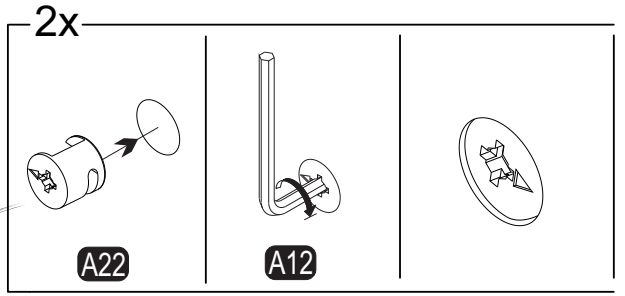
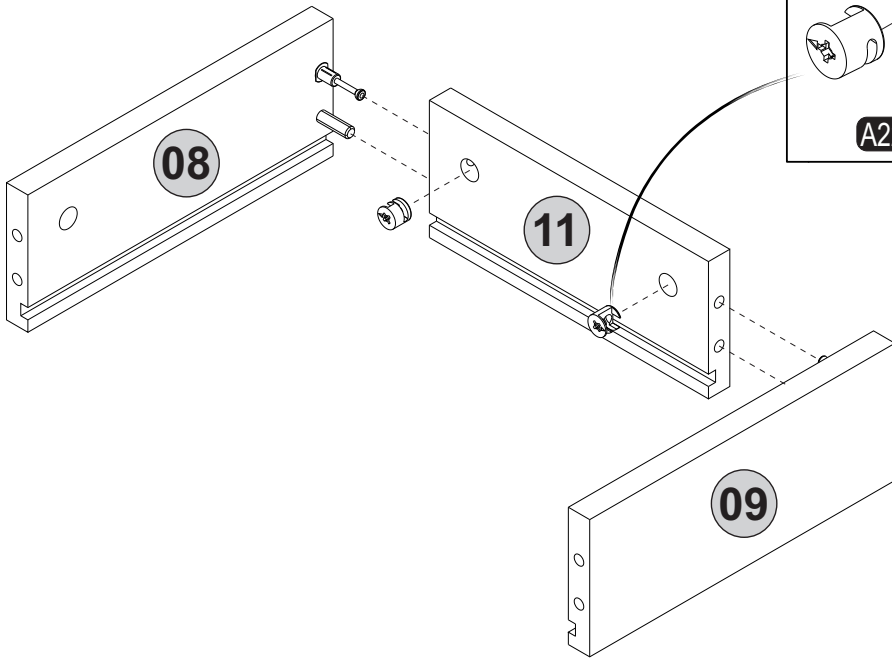
9^{step}



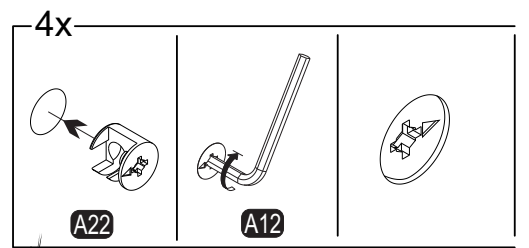
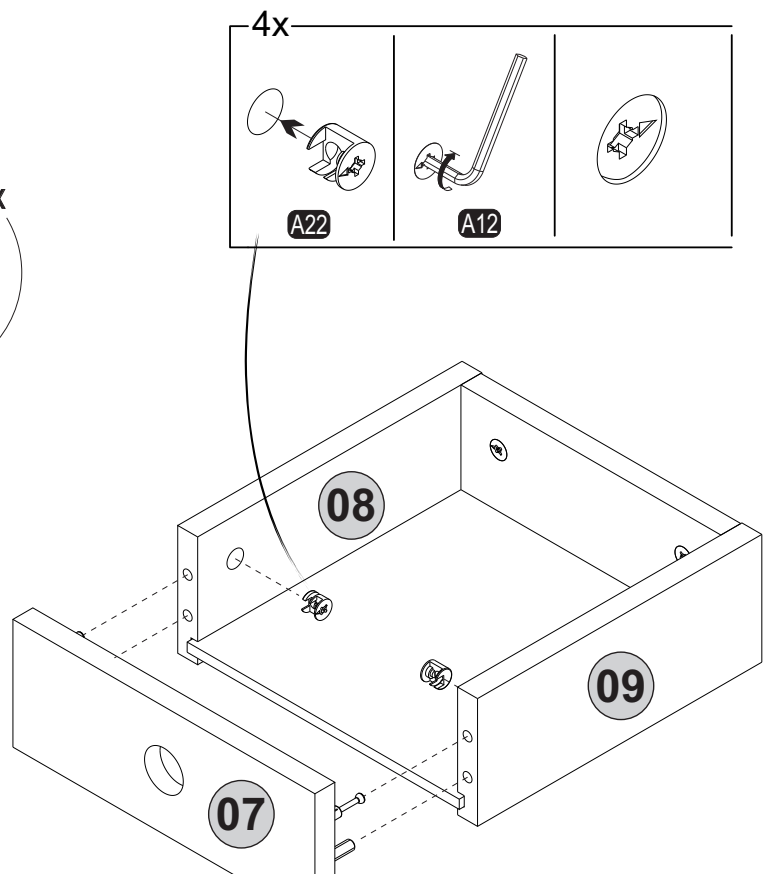
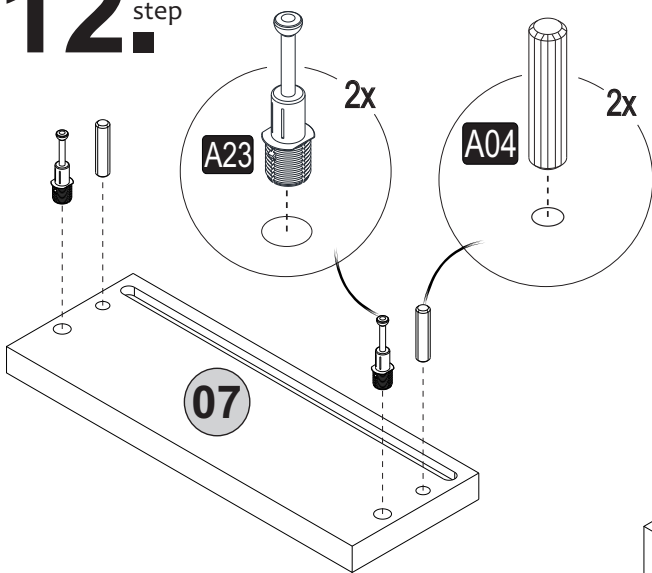
10^{step}



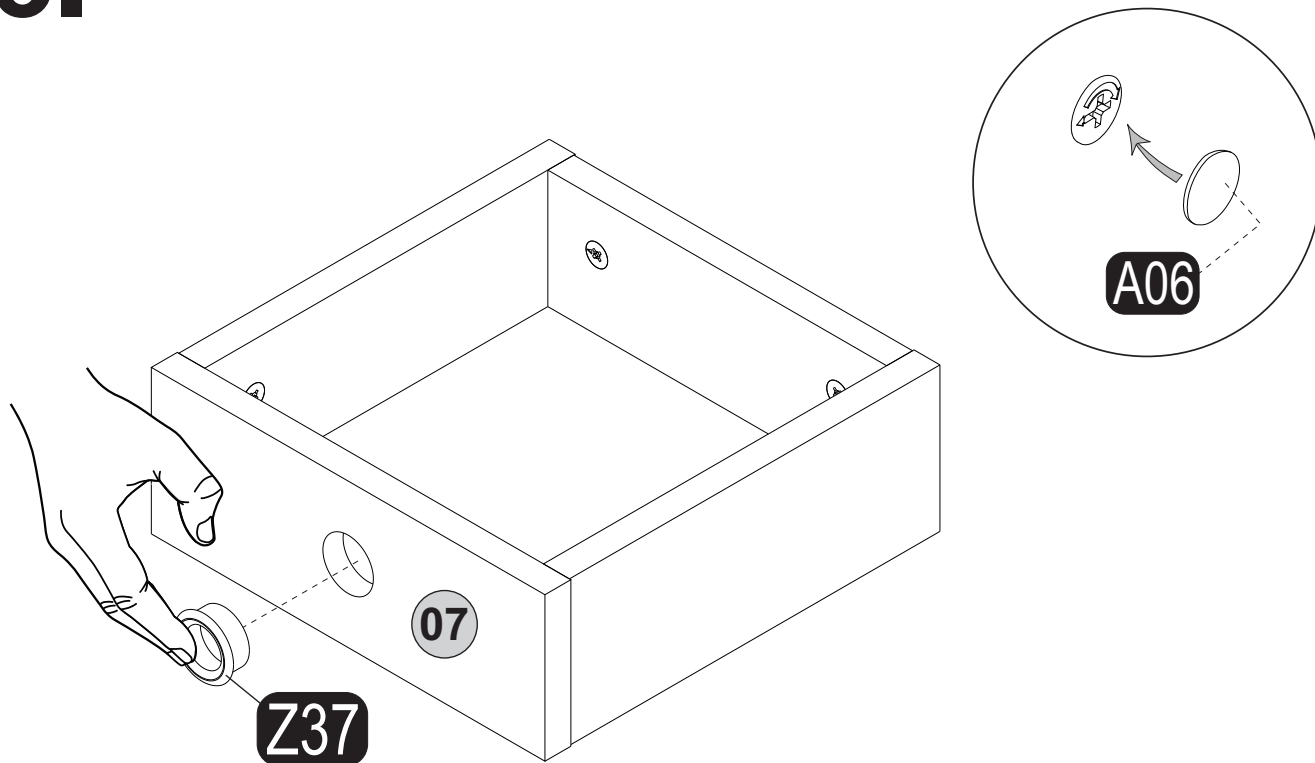
11.^{step}



12.^{step}



13.^{step}



14.^{step}

