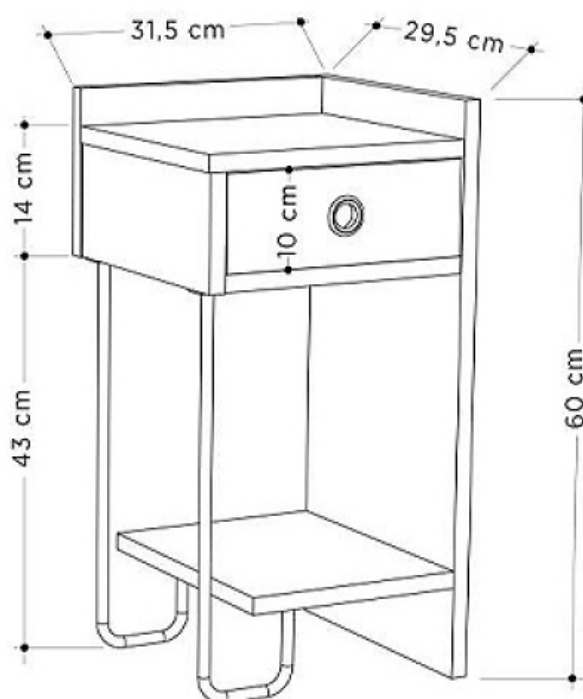
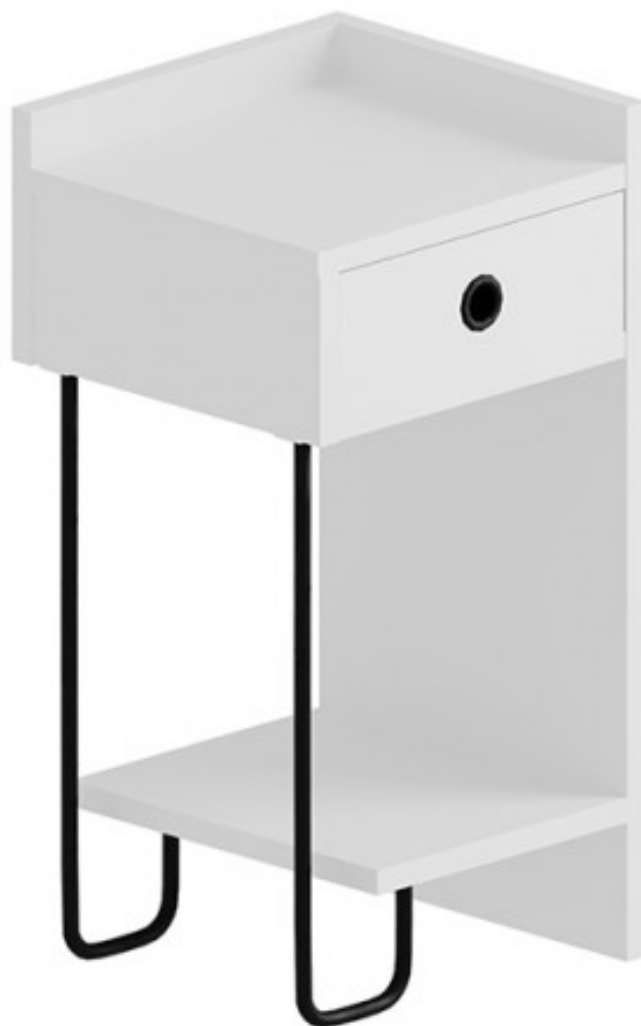


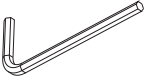





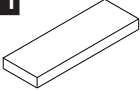
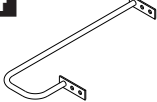
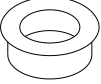
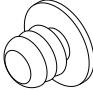
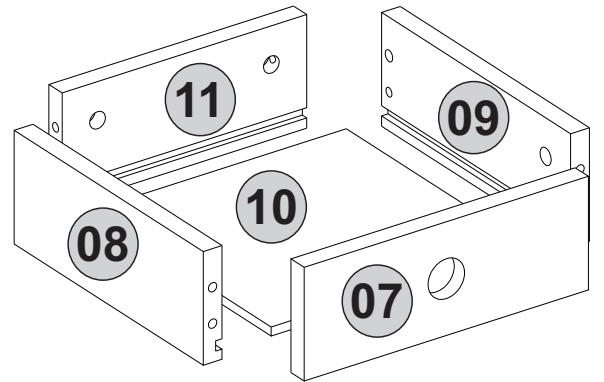
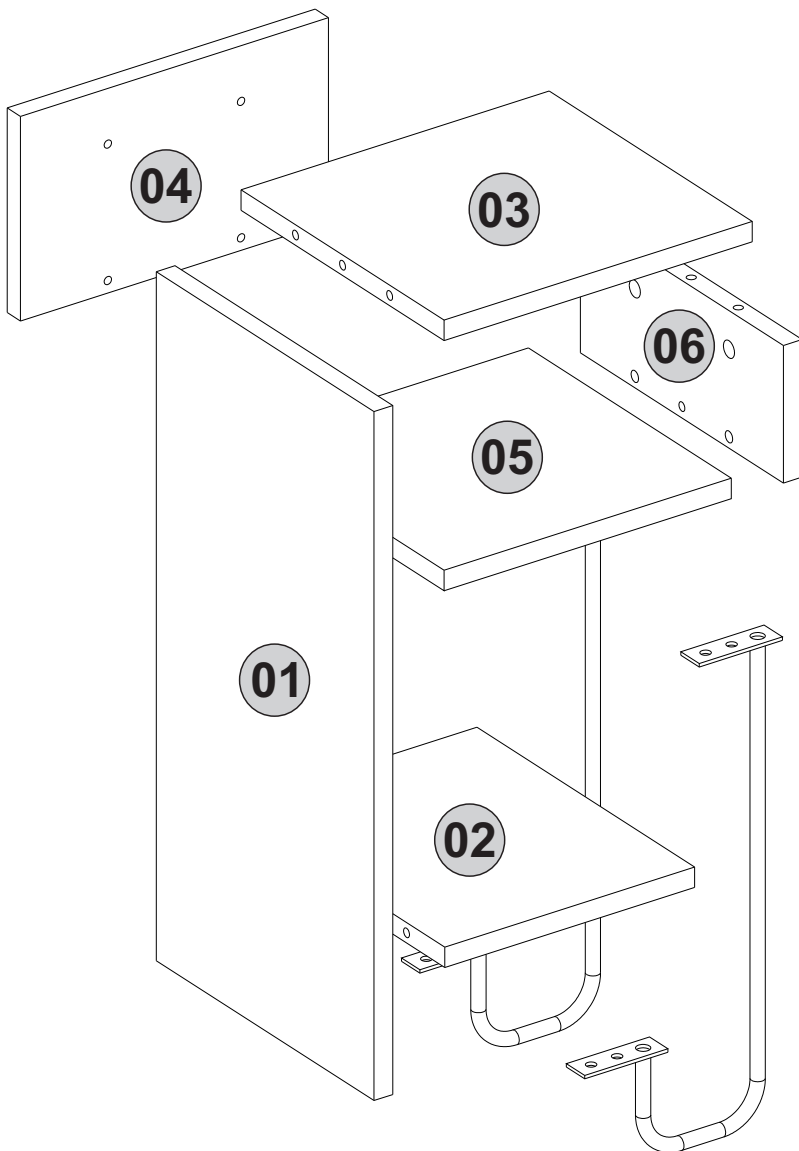


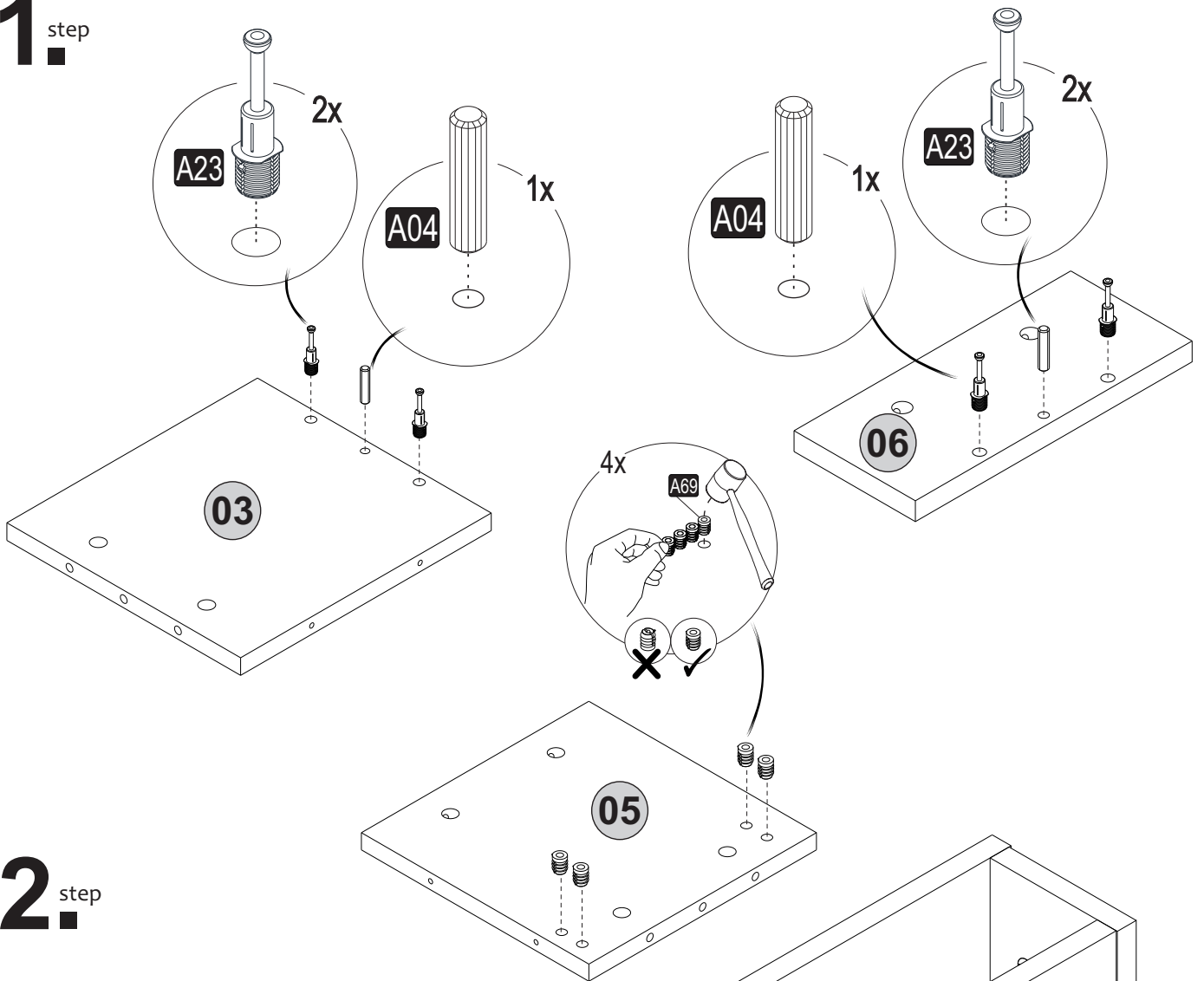
i GP037-0165,2



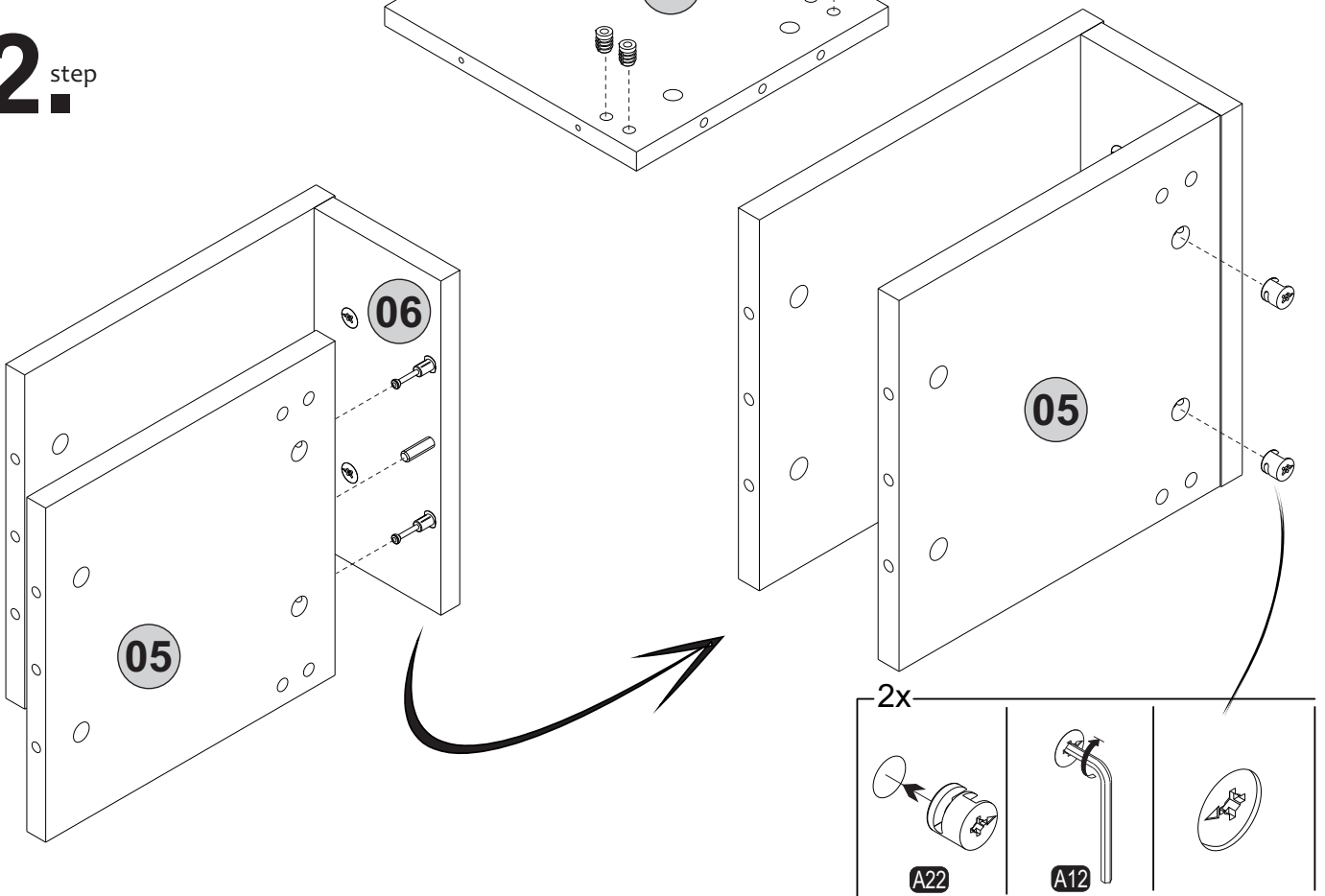
A04 Ø8  9x	A06 18mm  C1-18x	A12 Allen  1x	A13 50mm  4x	A22 Minifix k18  14x
A23 Minifix M10  14x	A69 P.D.  8x	B15 15 (black)mm  8x	PB01 Kece  2x	Z24 Ma Ay004  2x
Z37 35mm pygk (Black)  1x	Z54 Pp1501  2x			



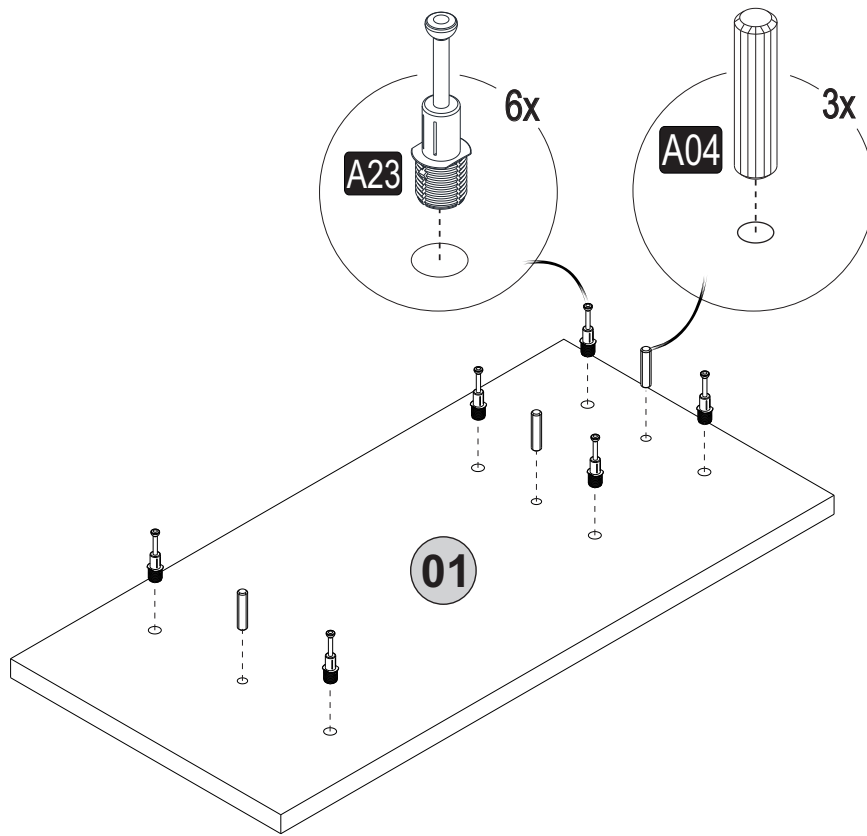
1. step



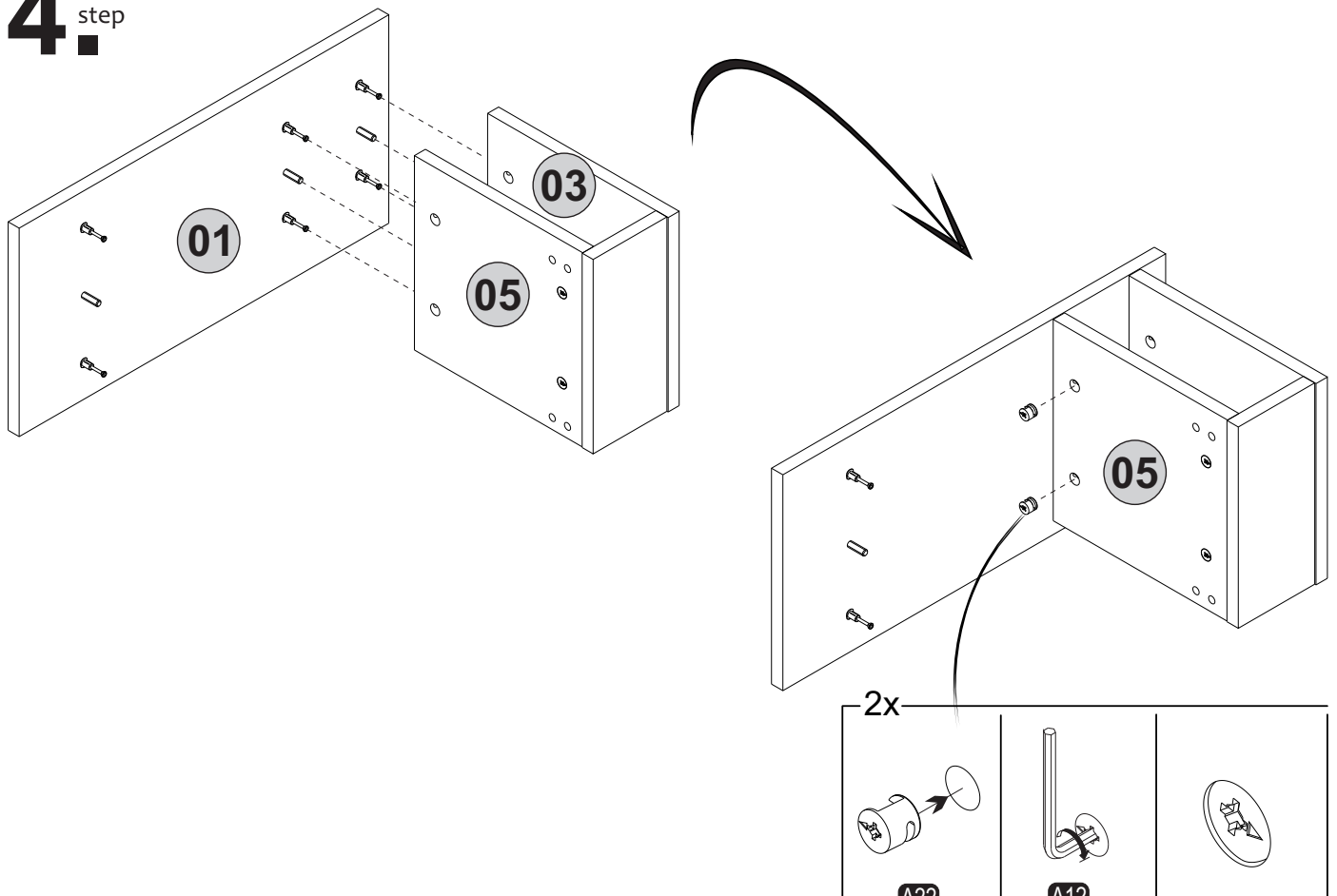
2. step



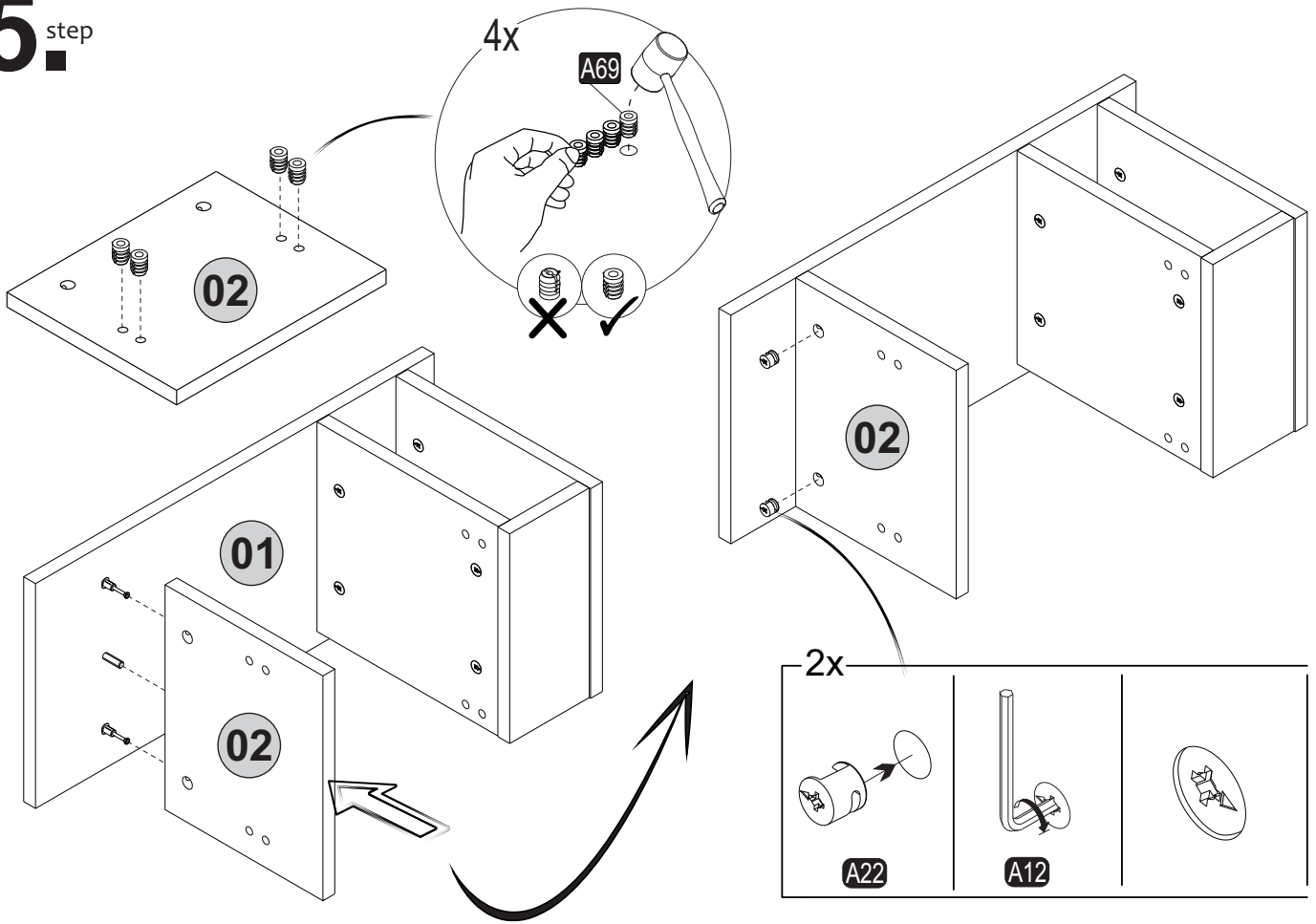
3. step



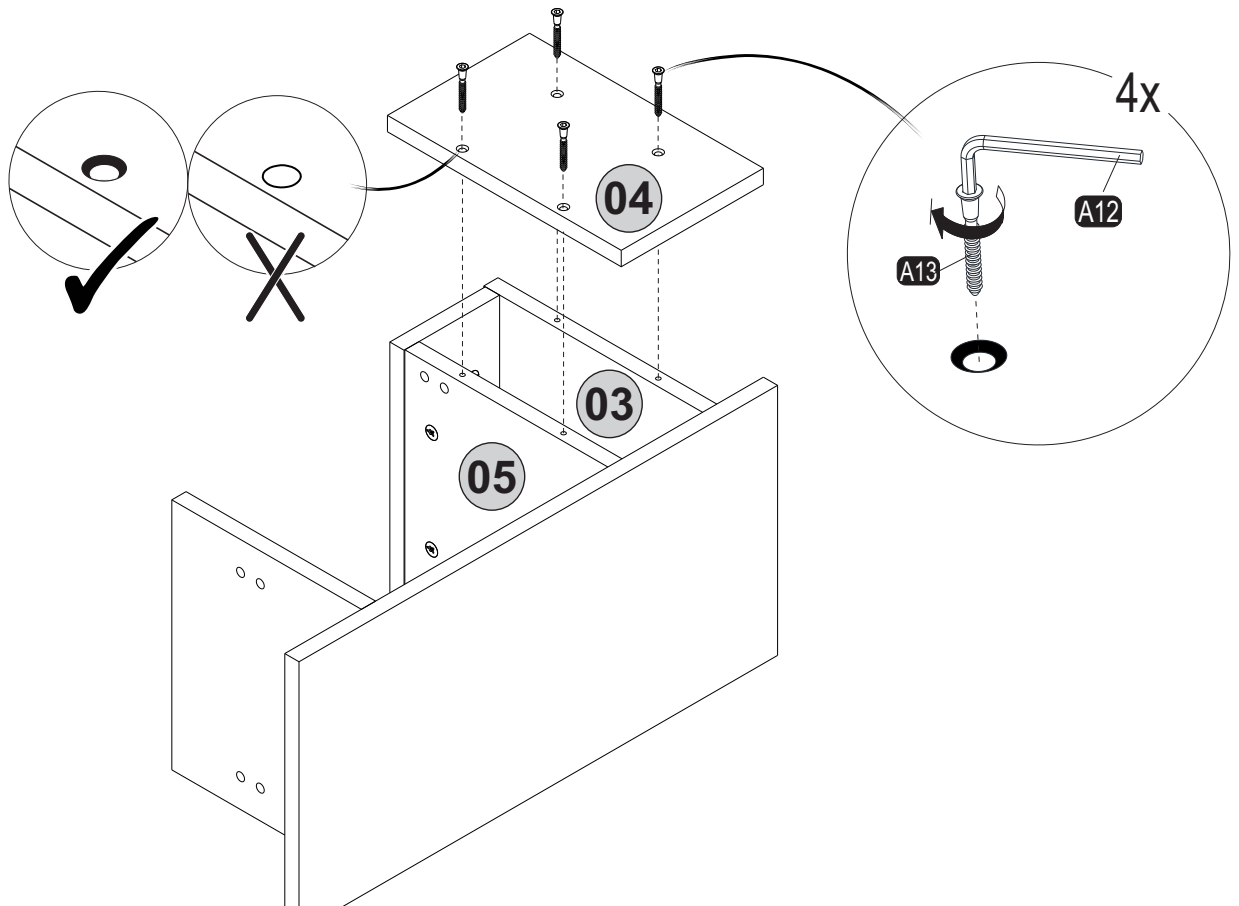
4. step



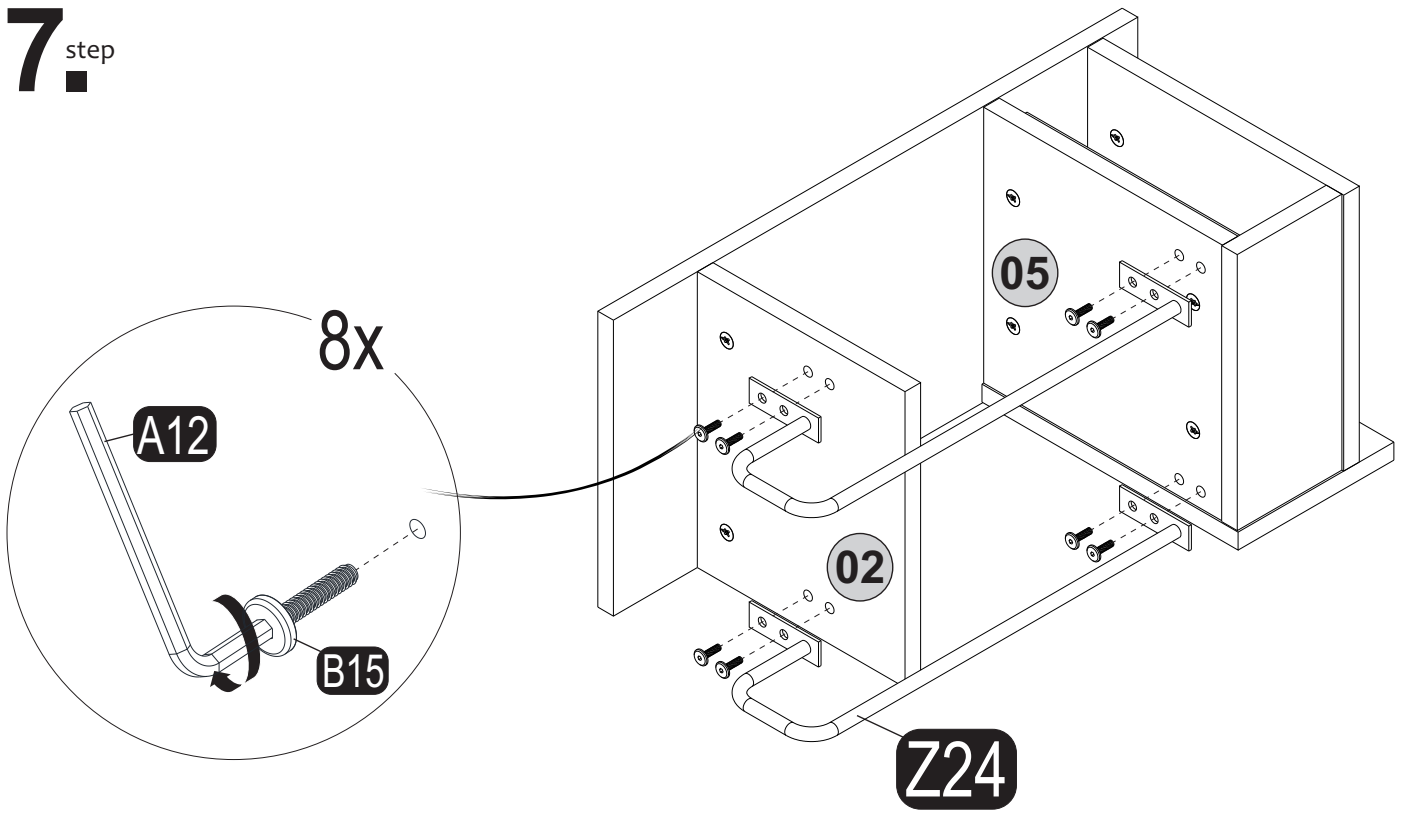
5. step



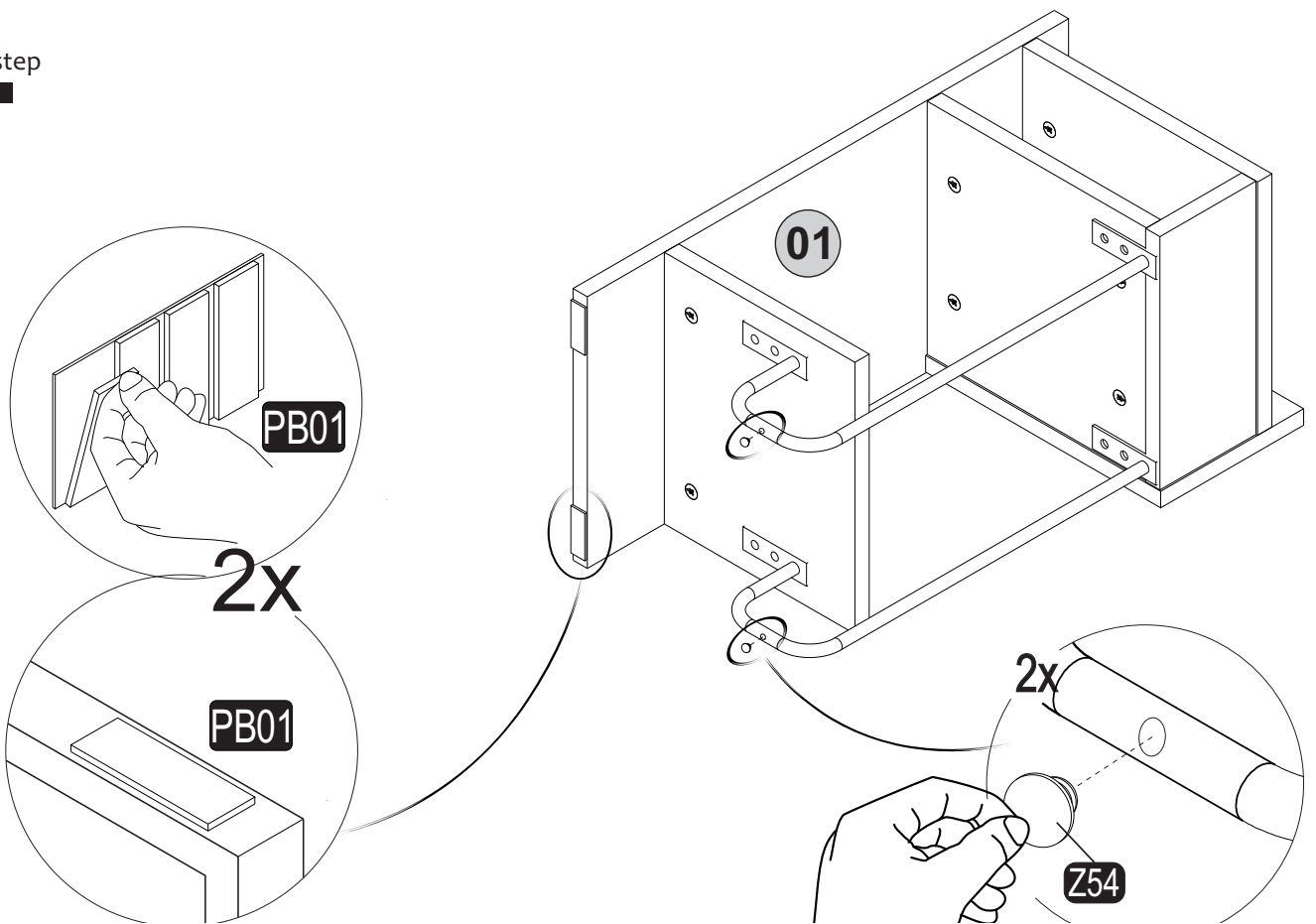
6. step



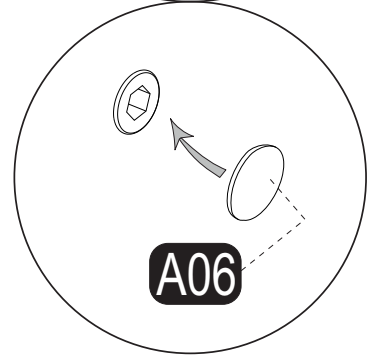
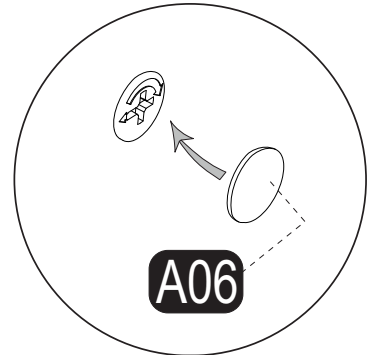
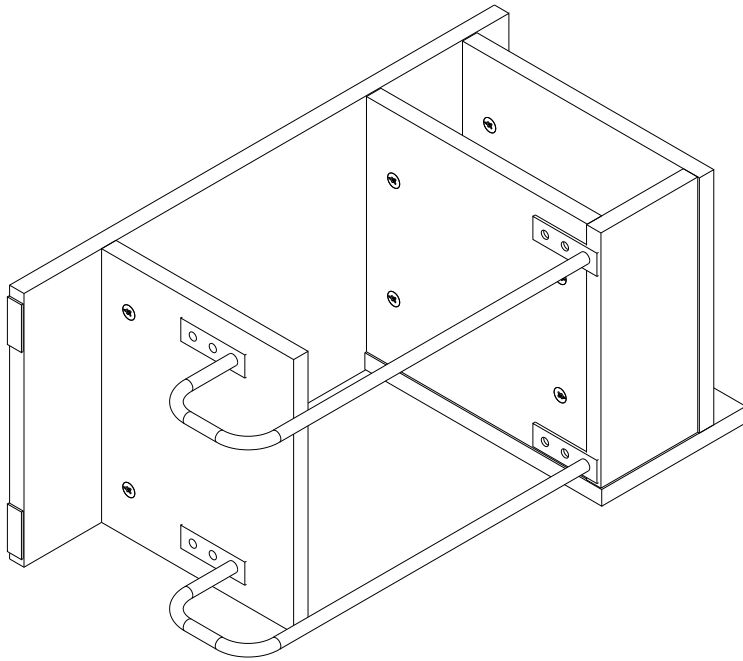
7 step



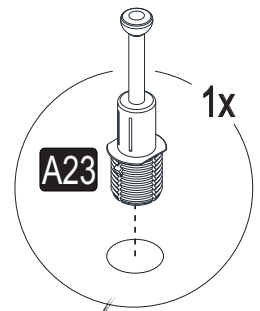
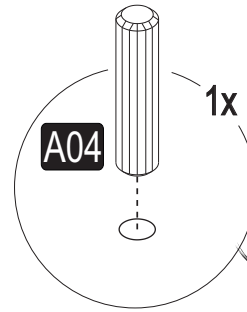
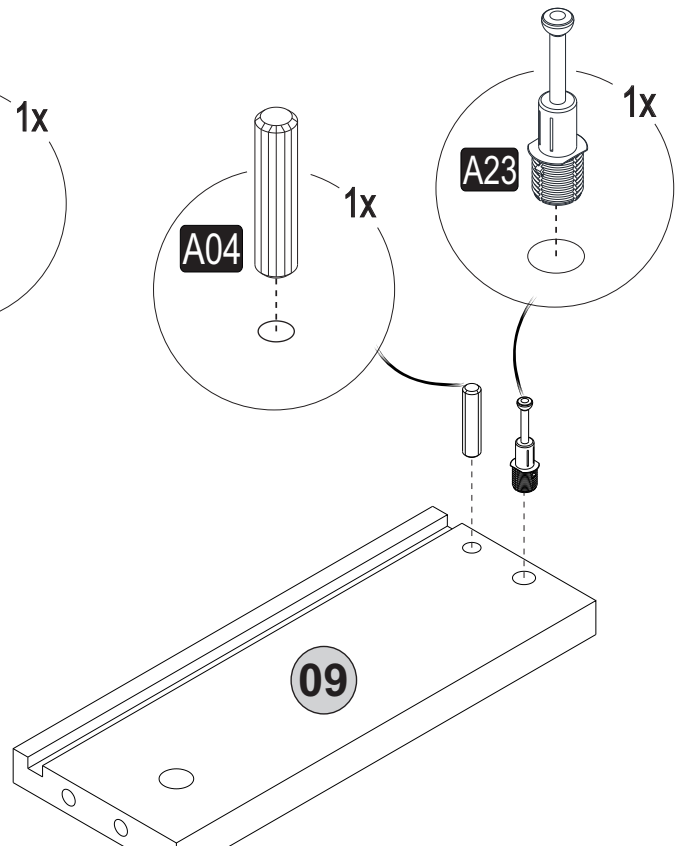
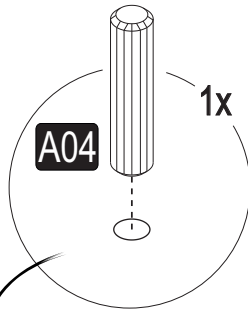
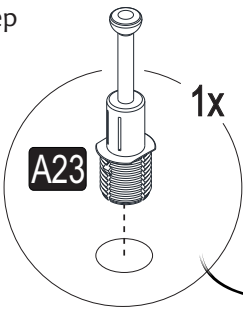
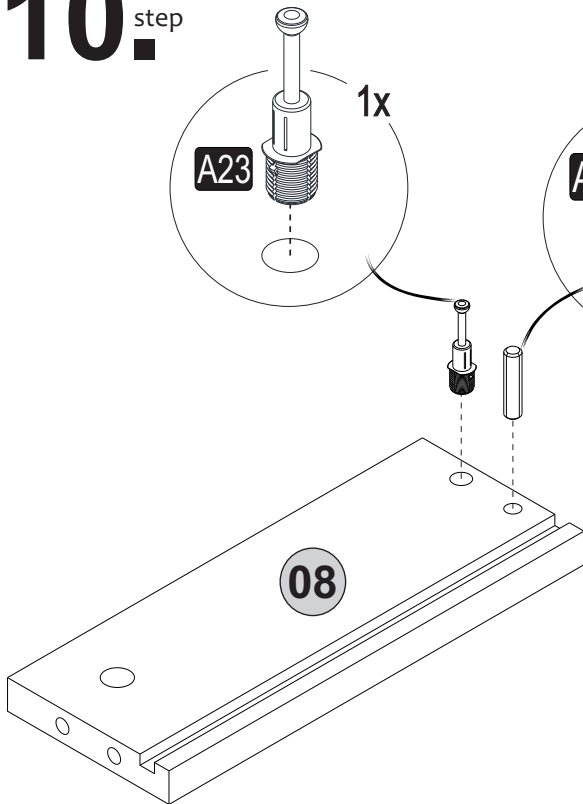
8 step



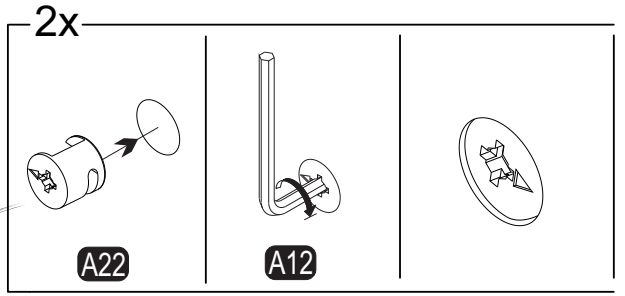
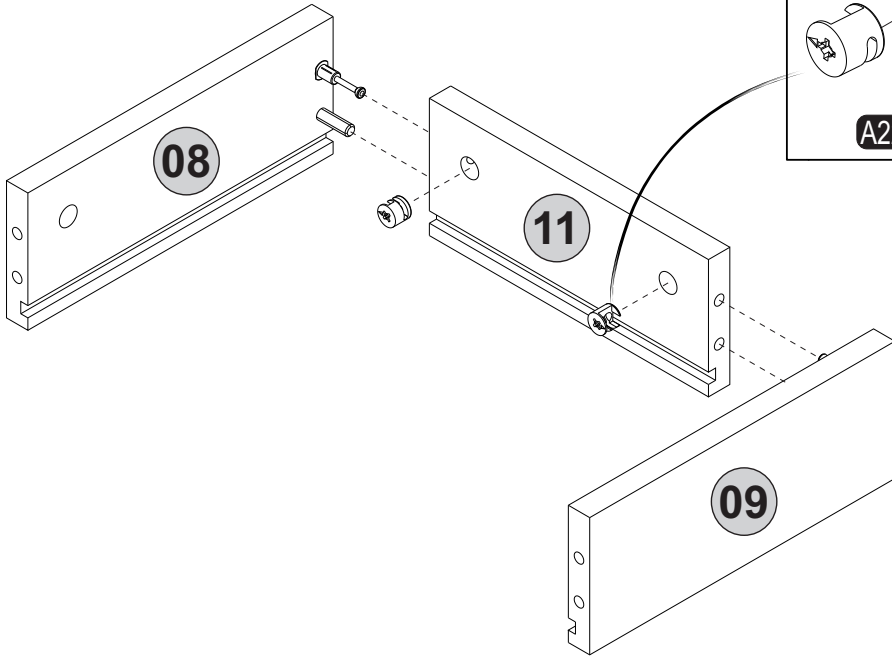
9^{step}



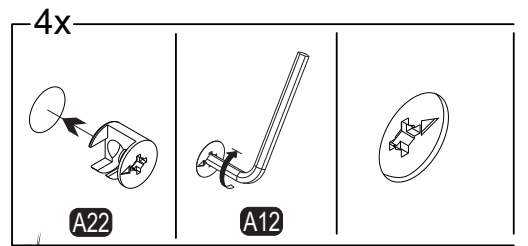
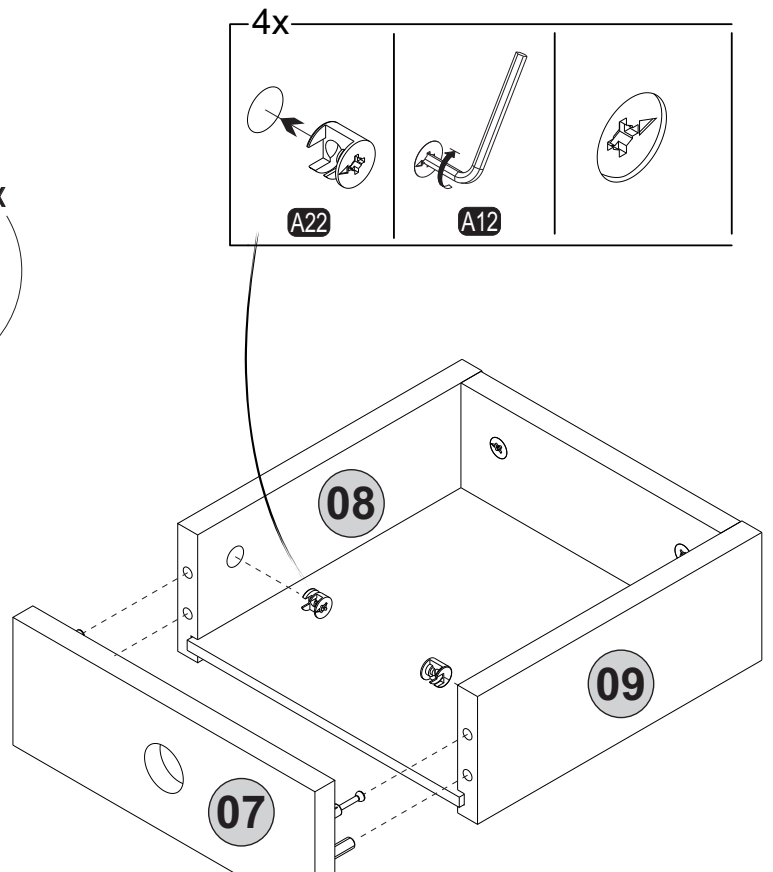
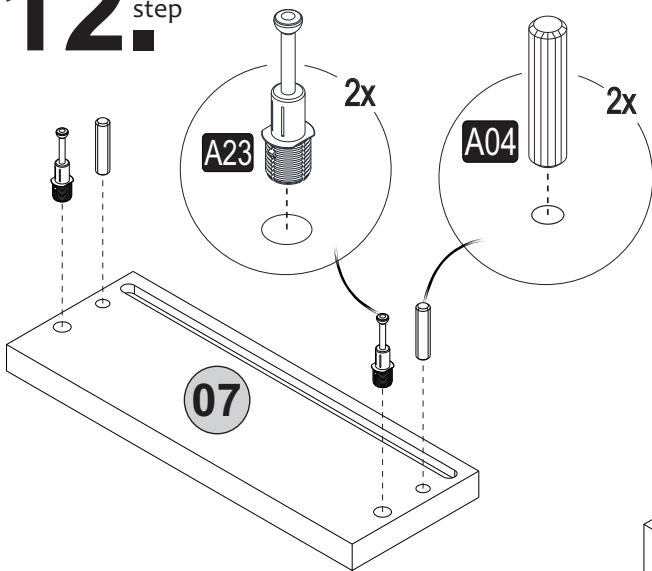
10^{step}



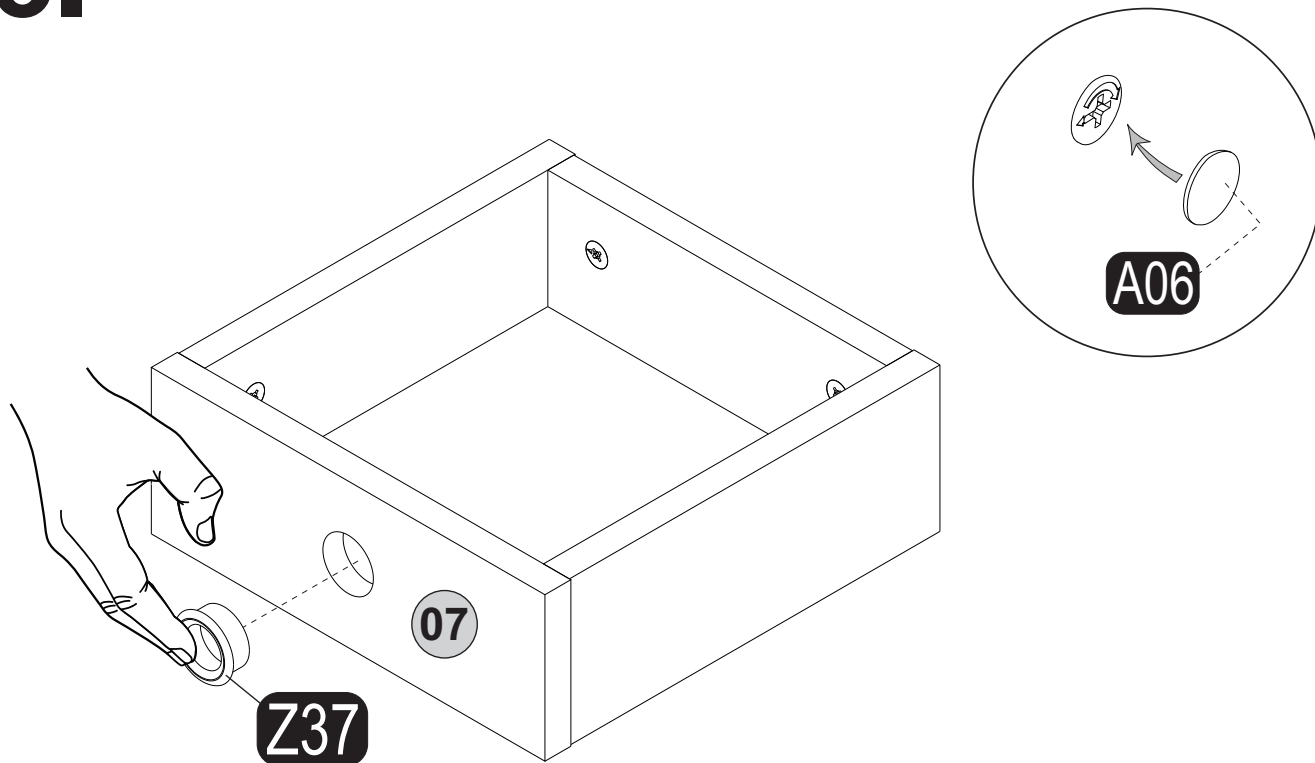
11.^{step}



12.^{step}



13.^{step}



14.^{step}

