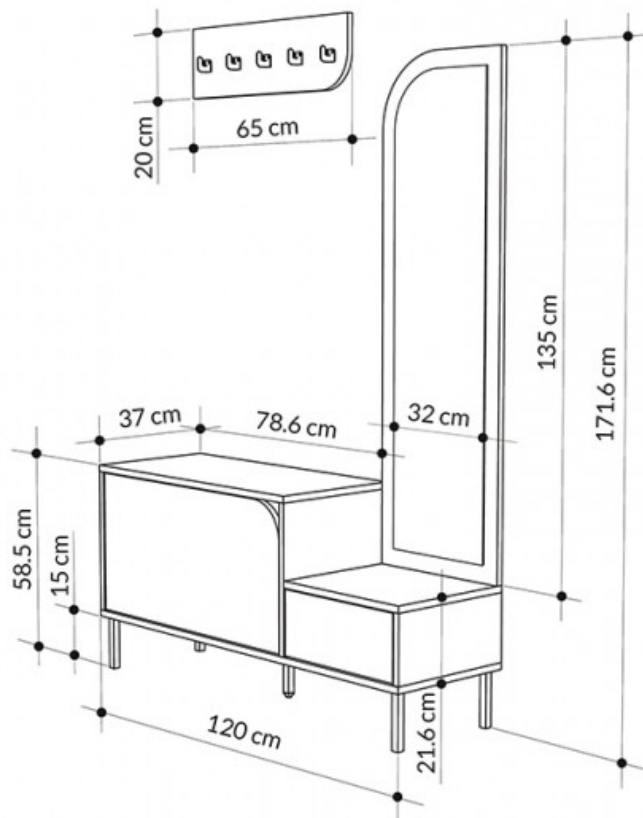
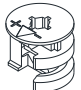
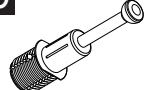
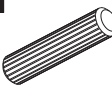
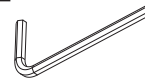

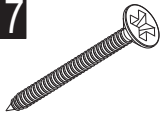

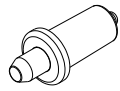
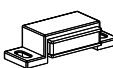

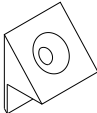
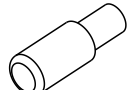
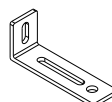


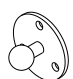
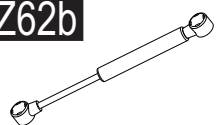
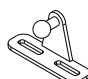

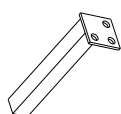

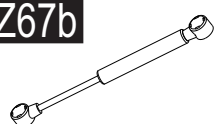
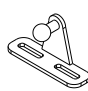
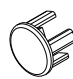

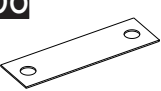
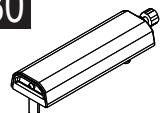

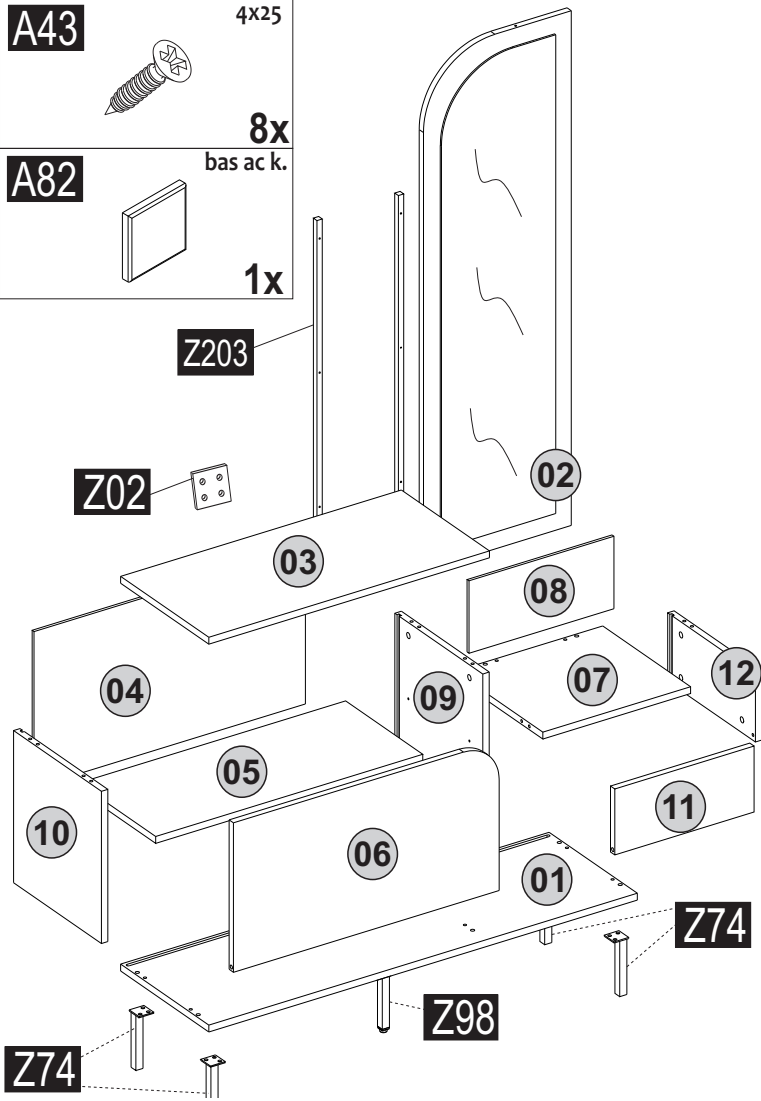
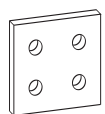
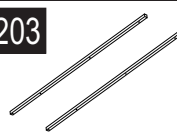
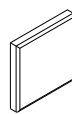
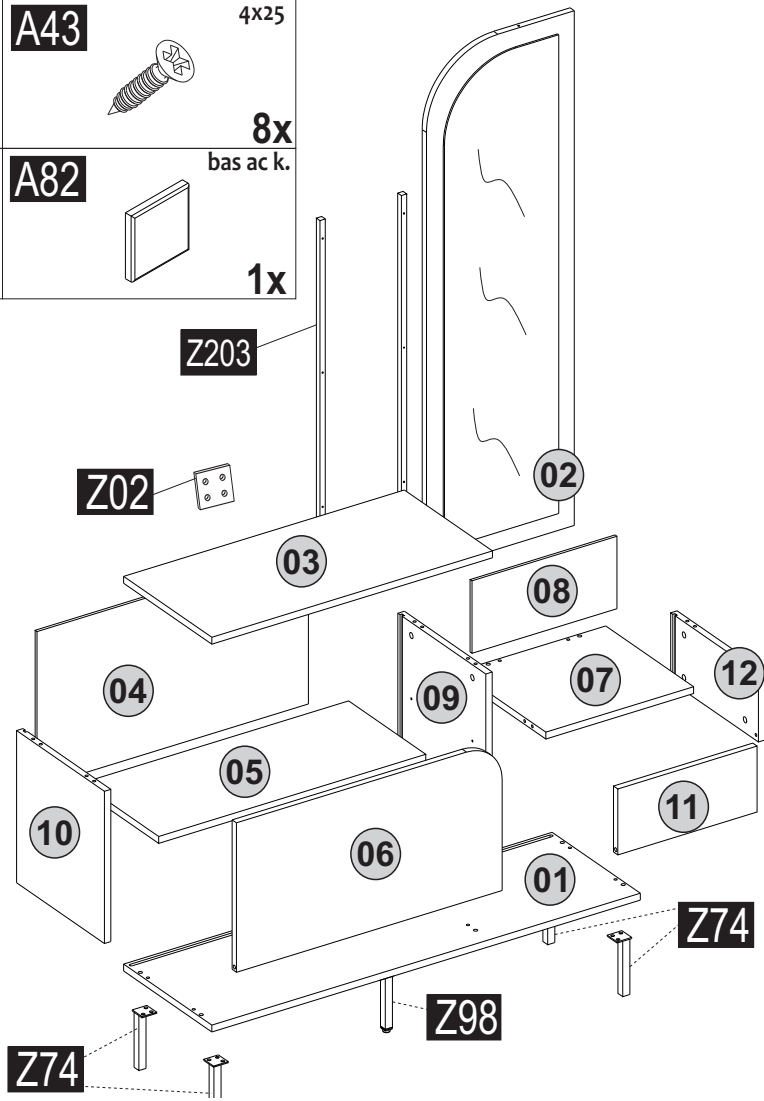




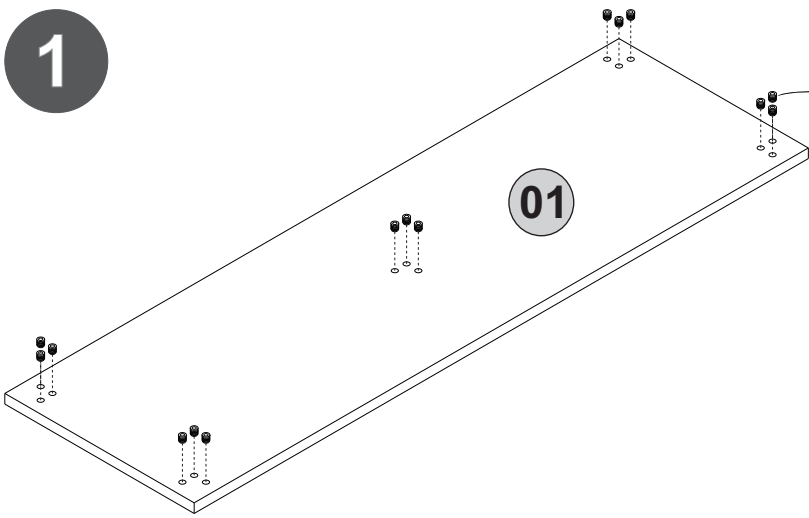
GP037-0201,3



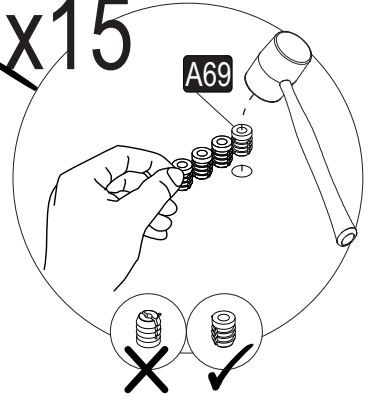
A22 Minifix k18  16x	A23 Minifix M10  16x	A04 Ø8x30  16x	A12 Allen  1x	A06 18mm  C1-16x
A17 4X50  1x	A18 3,5X18  26x	A65 Mil Mentese  4x	A96 MÇP  1x	A69 P.D.  15x
A25 ARK.PL  8x	A48 Raf Pimi  4x	A89 15x18x50  1x	A16 DbØ8  1x	B15 15 (black)mm  15x
Z62a DKP  1x	Z62b DKP  1x	Z62c DKP  1x	Z62d DKP  2x	Z74 A.M.A.S  4x
Z67a DKP  1x	Z67b DKP  1x	Z67c DKP  1x	Z67d DKP  2x	Z98 AMA 150mm  1x
Z158 MÇÇK galvaniz  1x	A80 bas ac  1x	A43 4x25  8x		
Z02 Bd  1x	Z203 Ym.Bm  1x	A82 bas ac k.  1x		



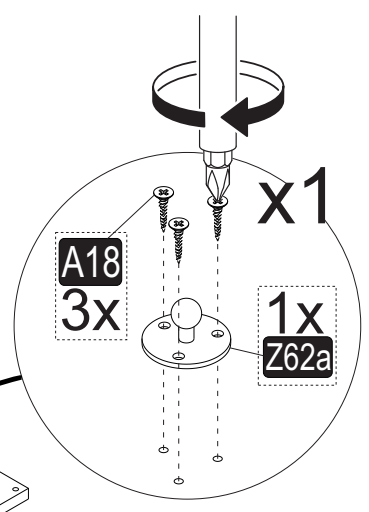
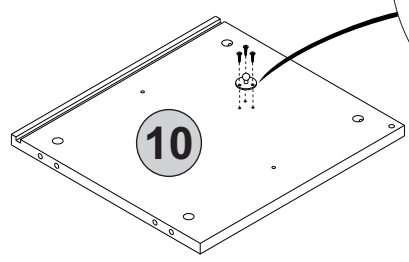
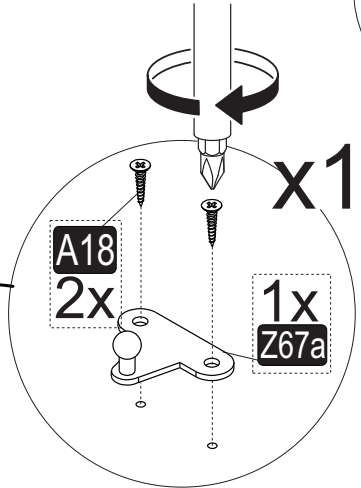
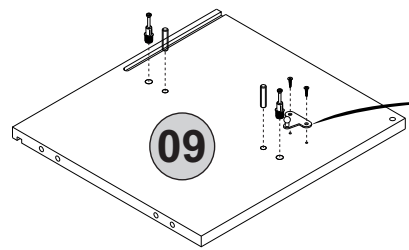
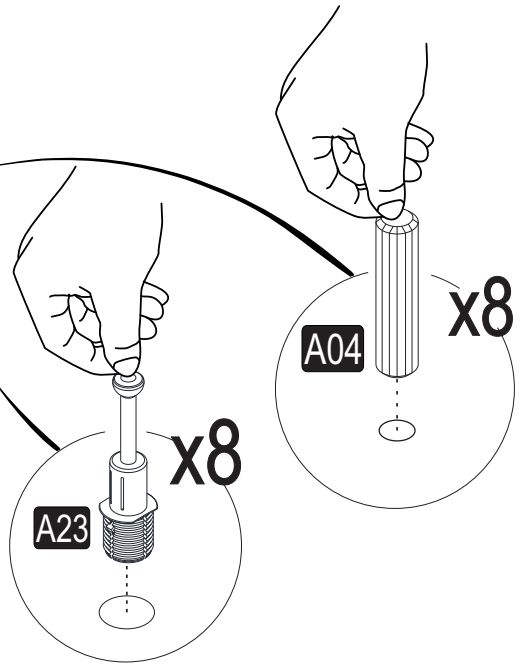
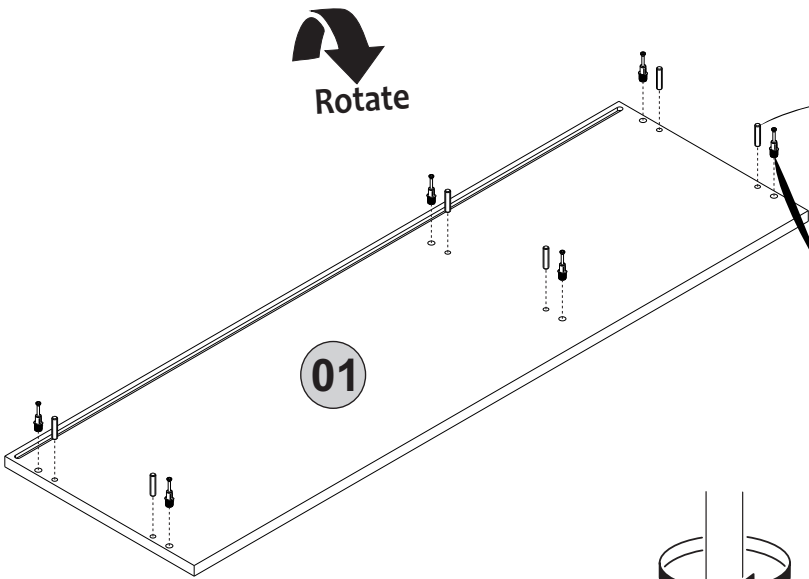
1



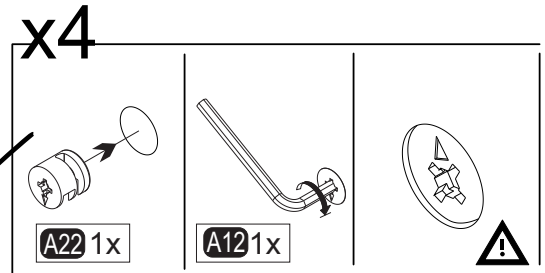
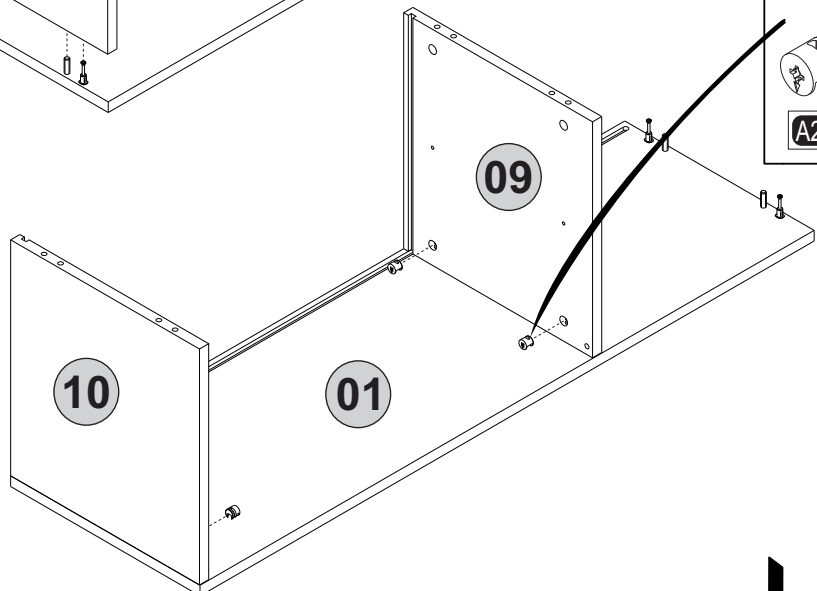
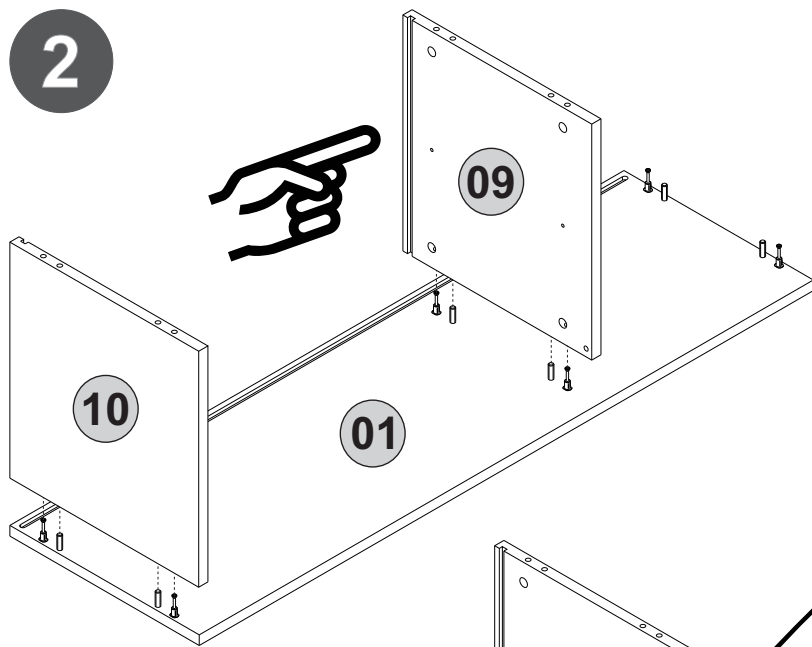
x15



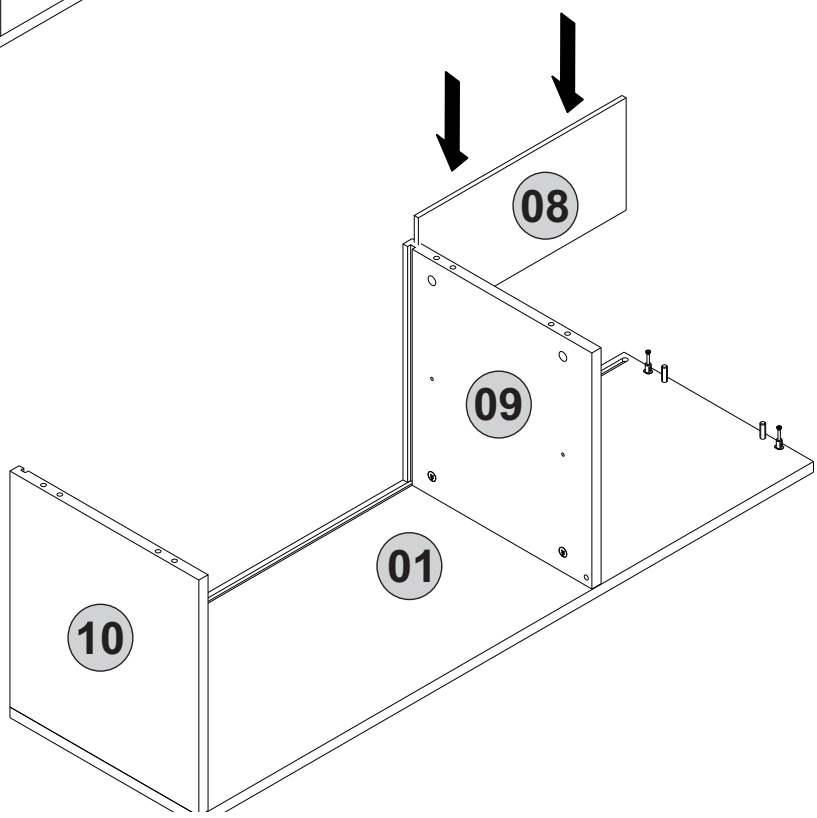
Rotate



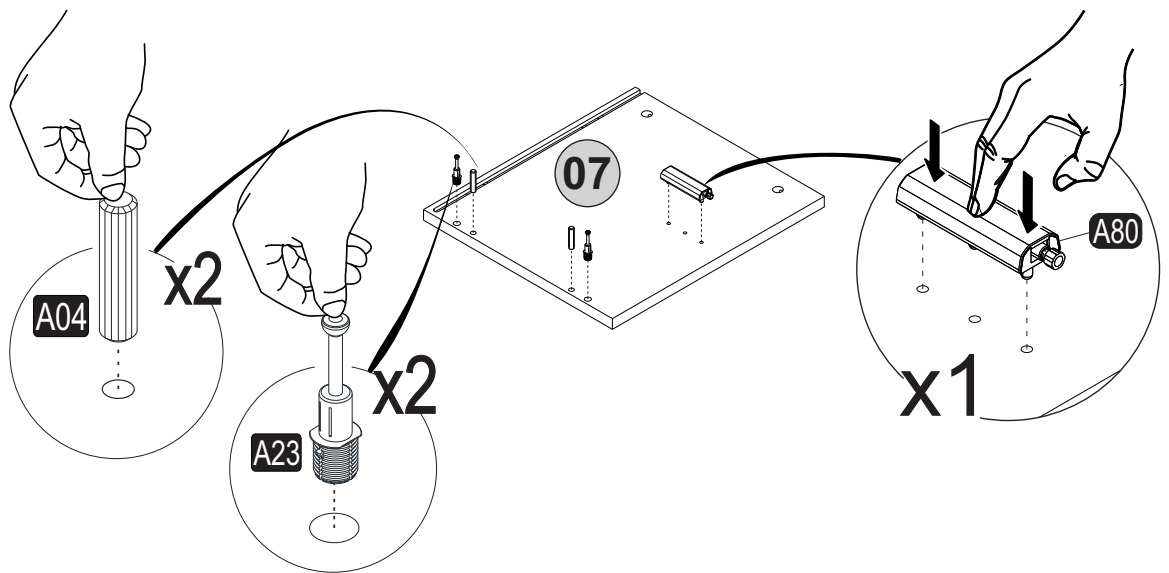
2



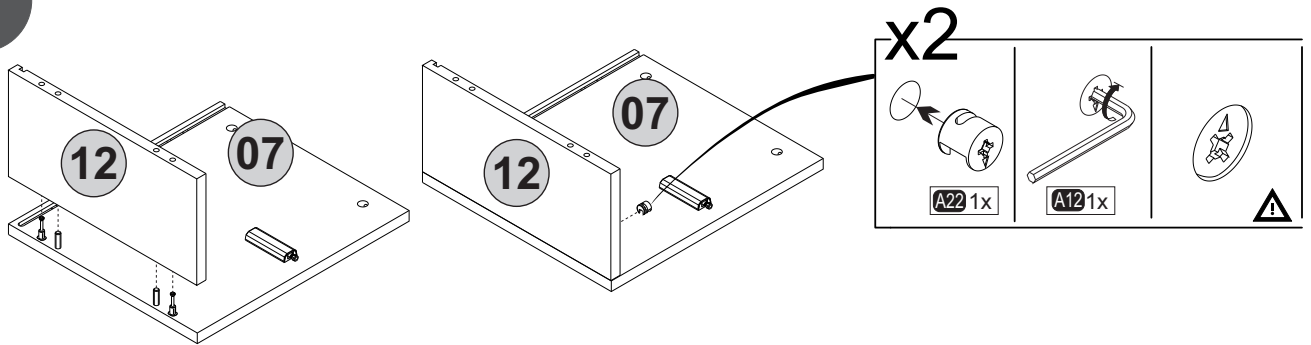
3



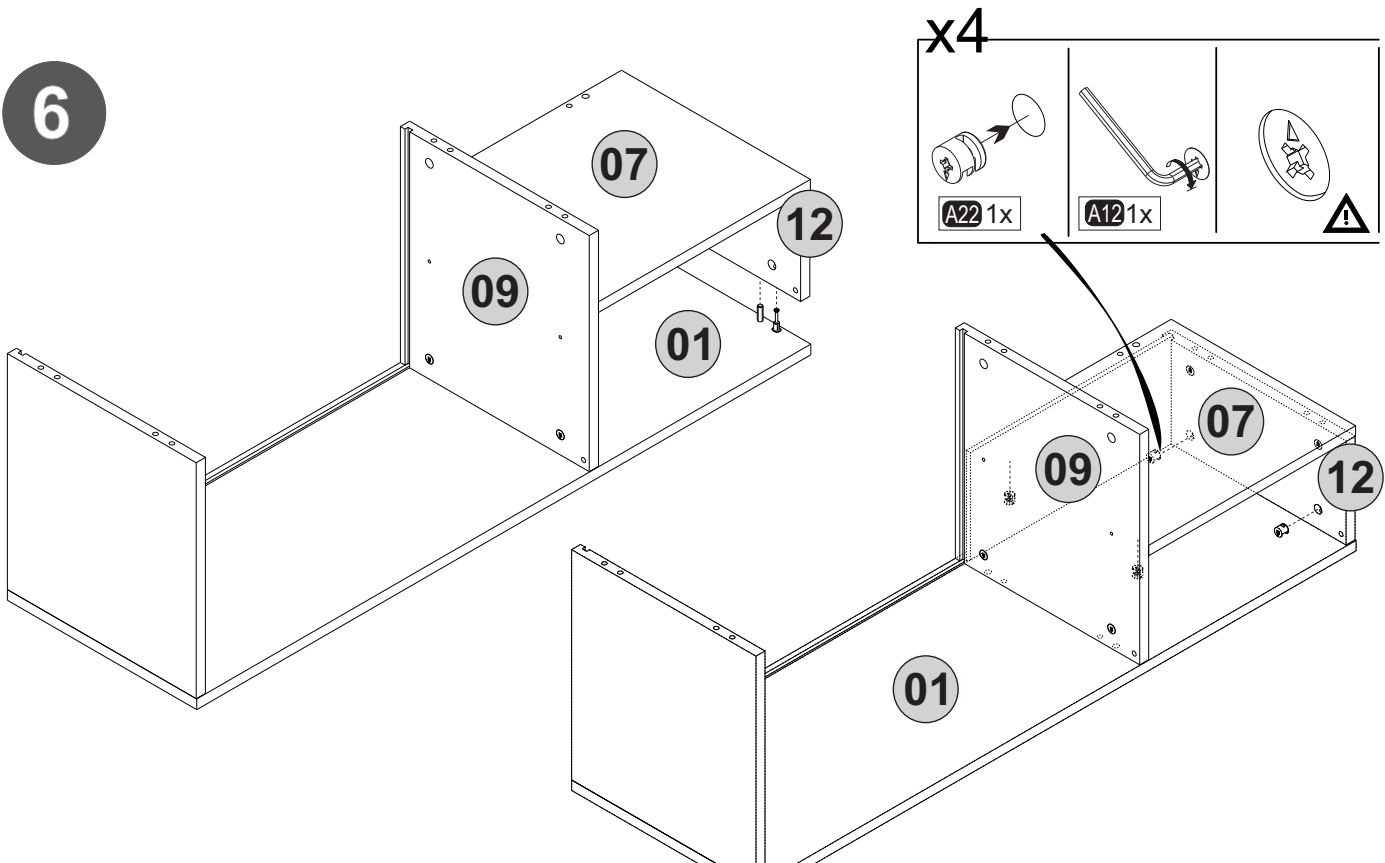
4



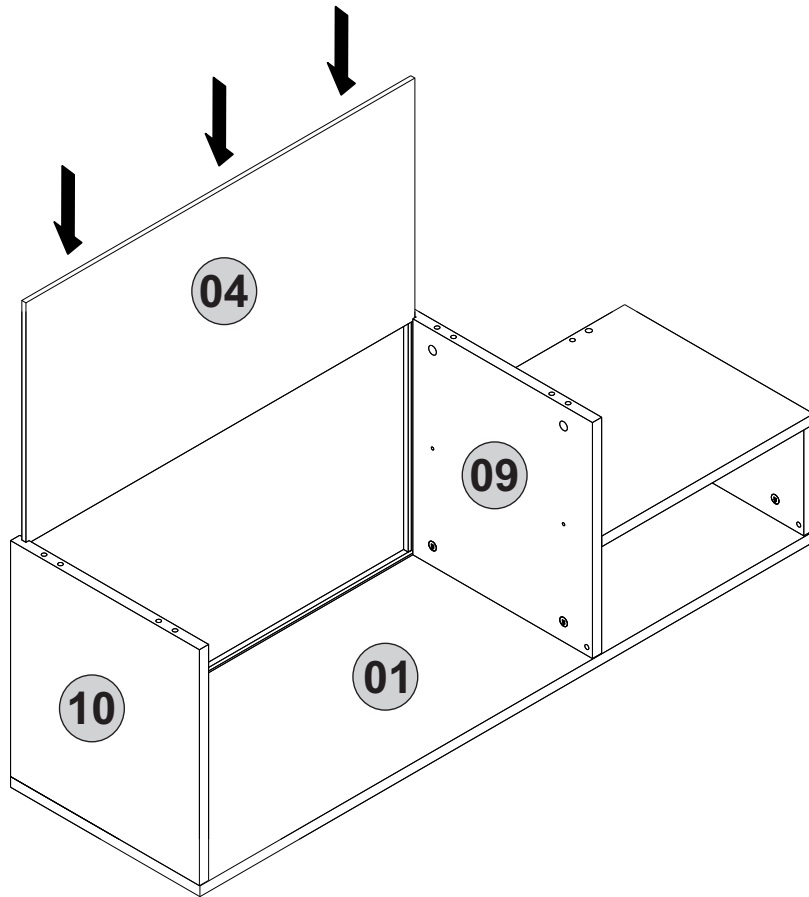
5



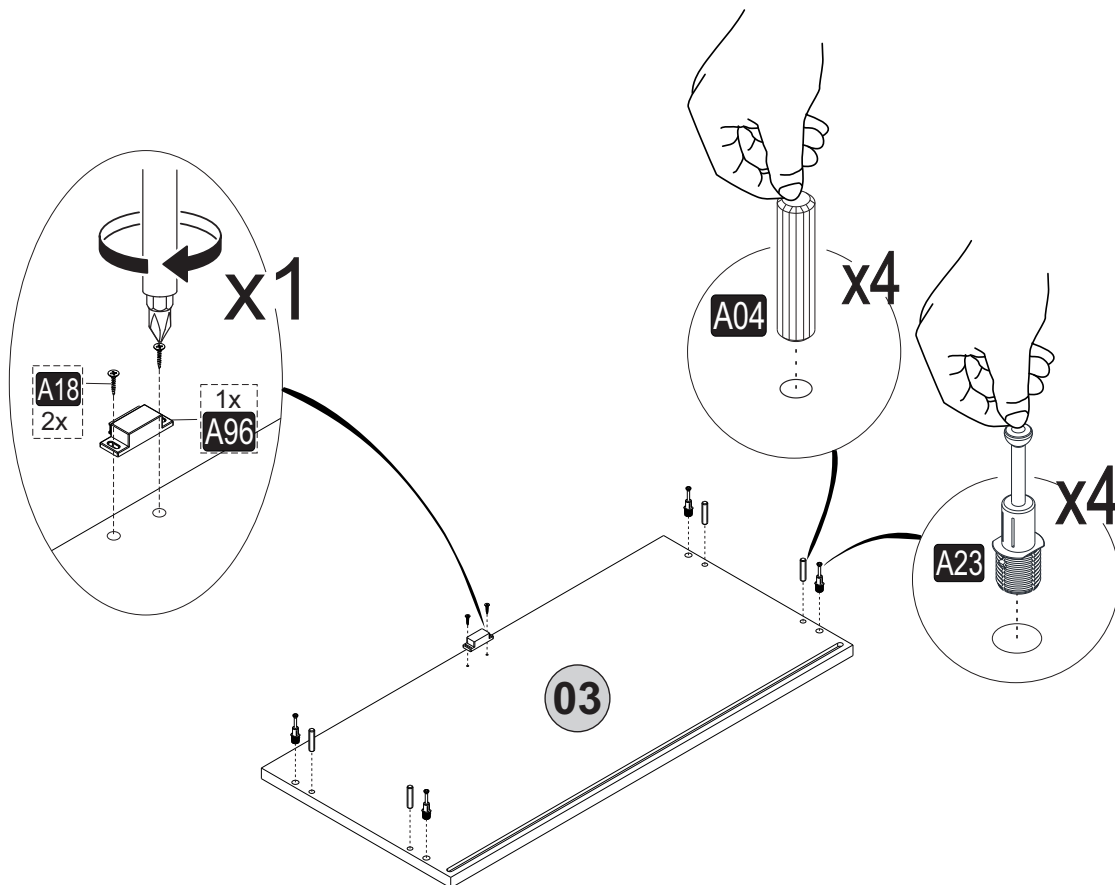
6



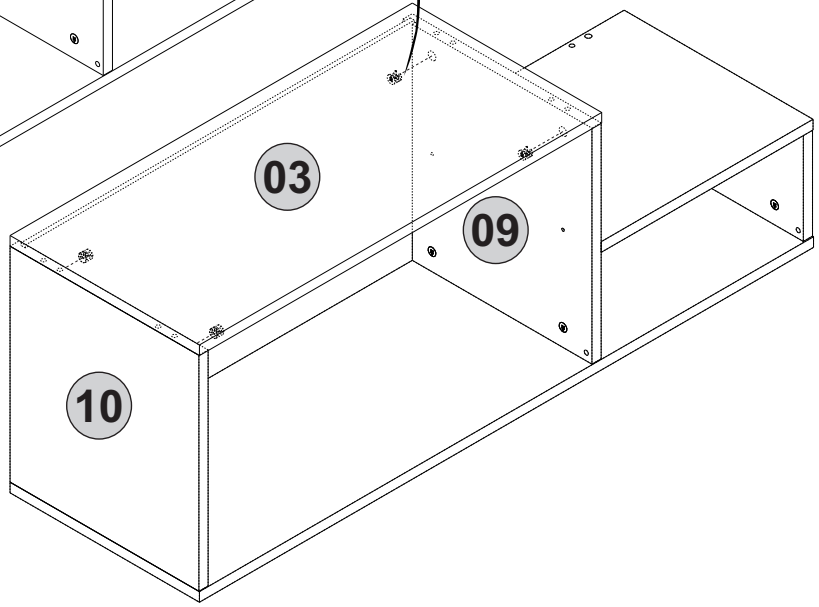
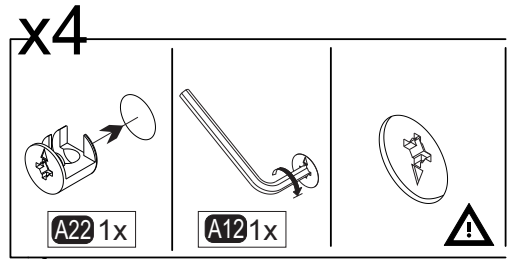
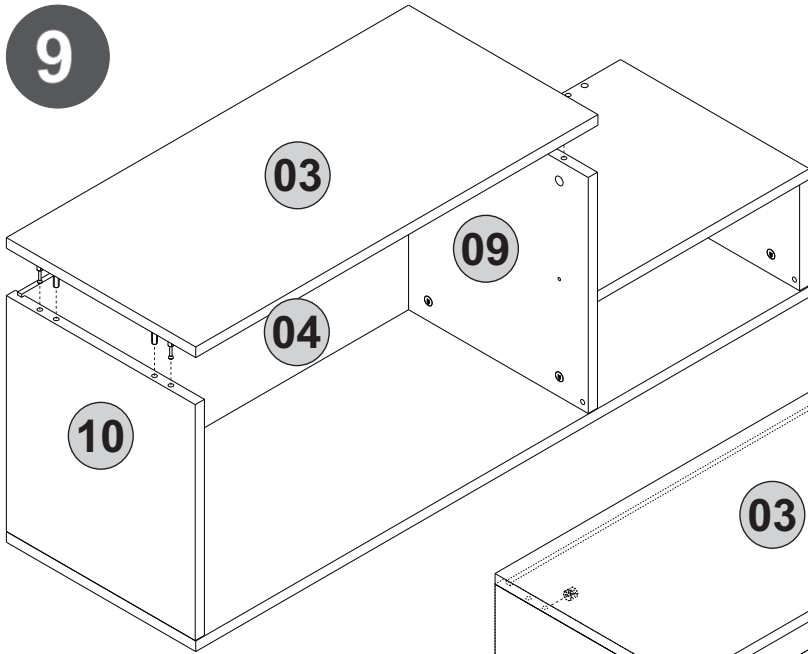
7



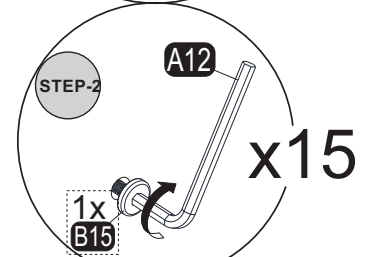
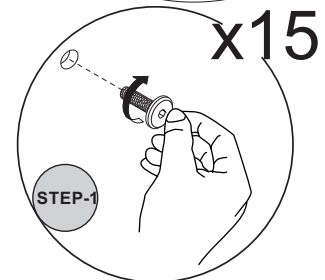
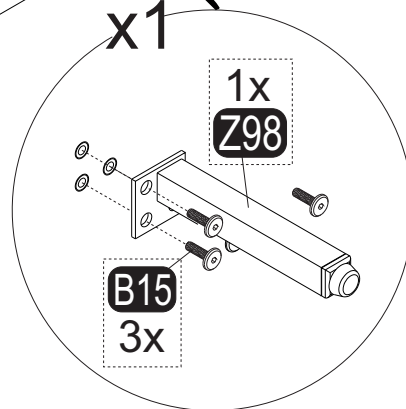
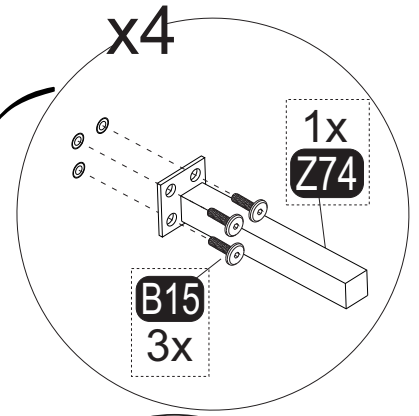
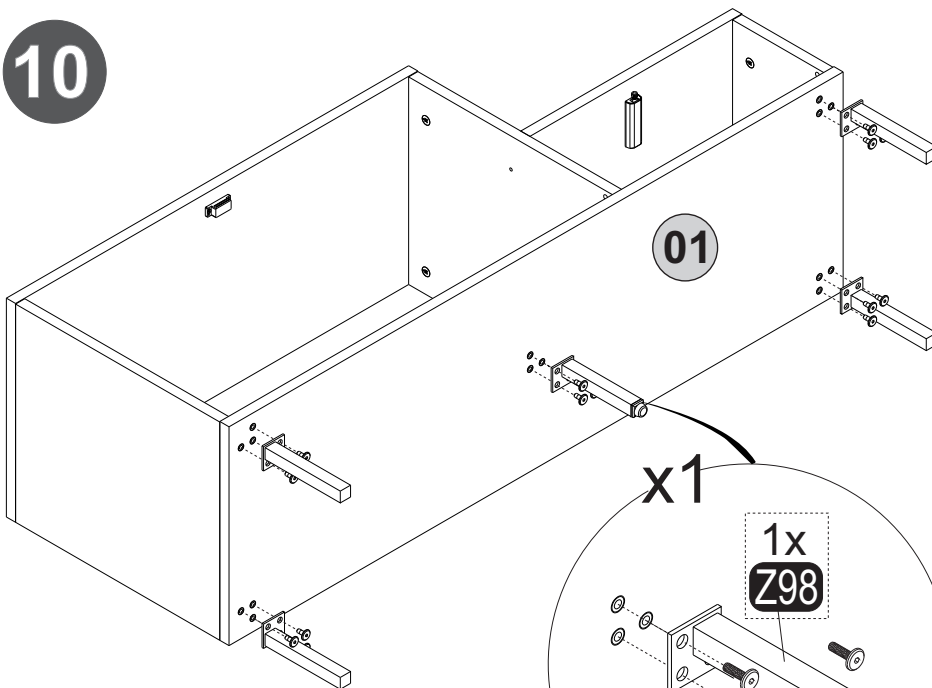
8



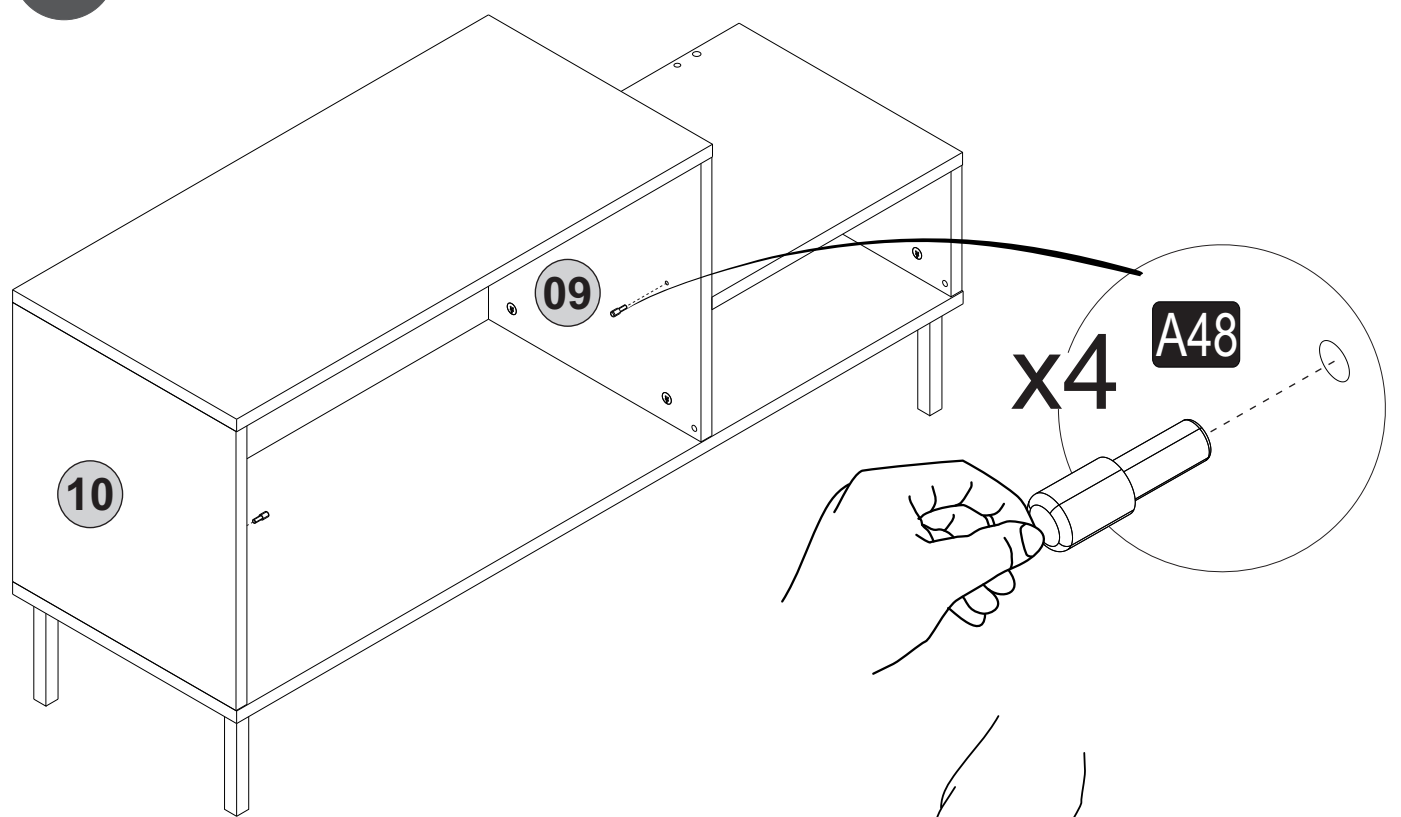
9



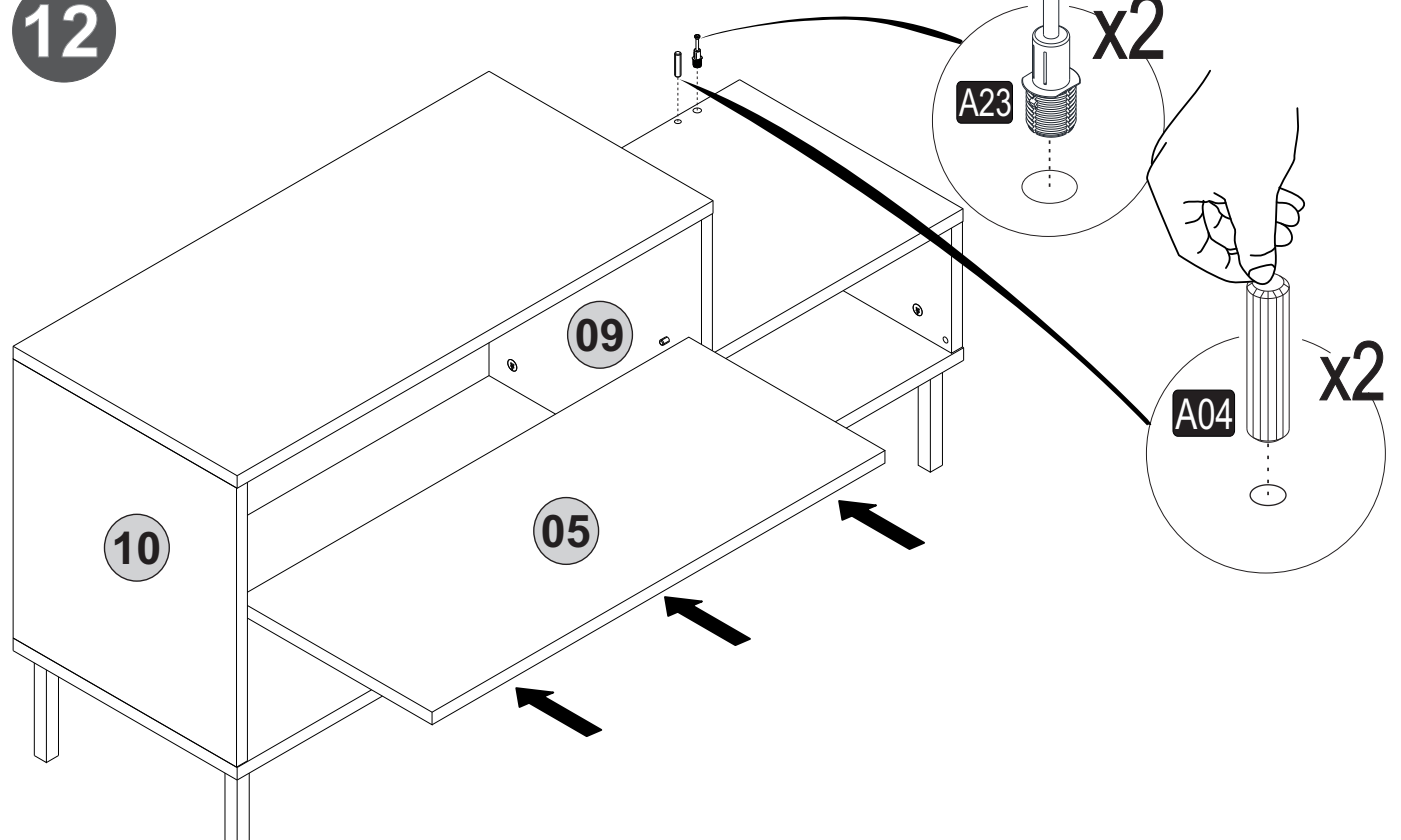
10



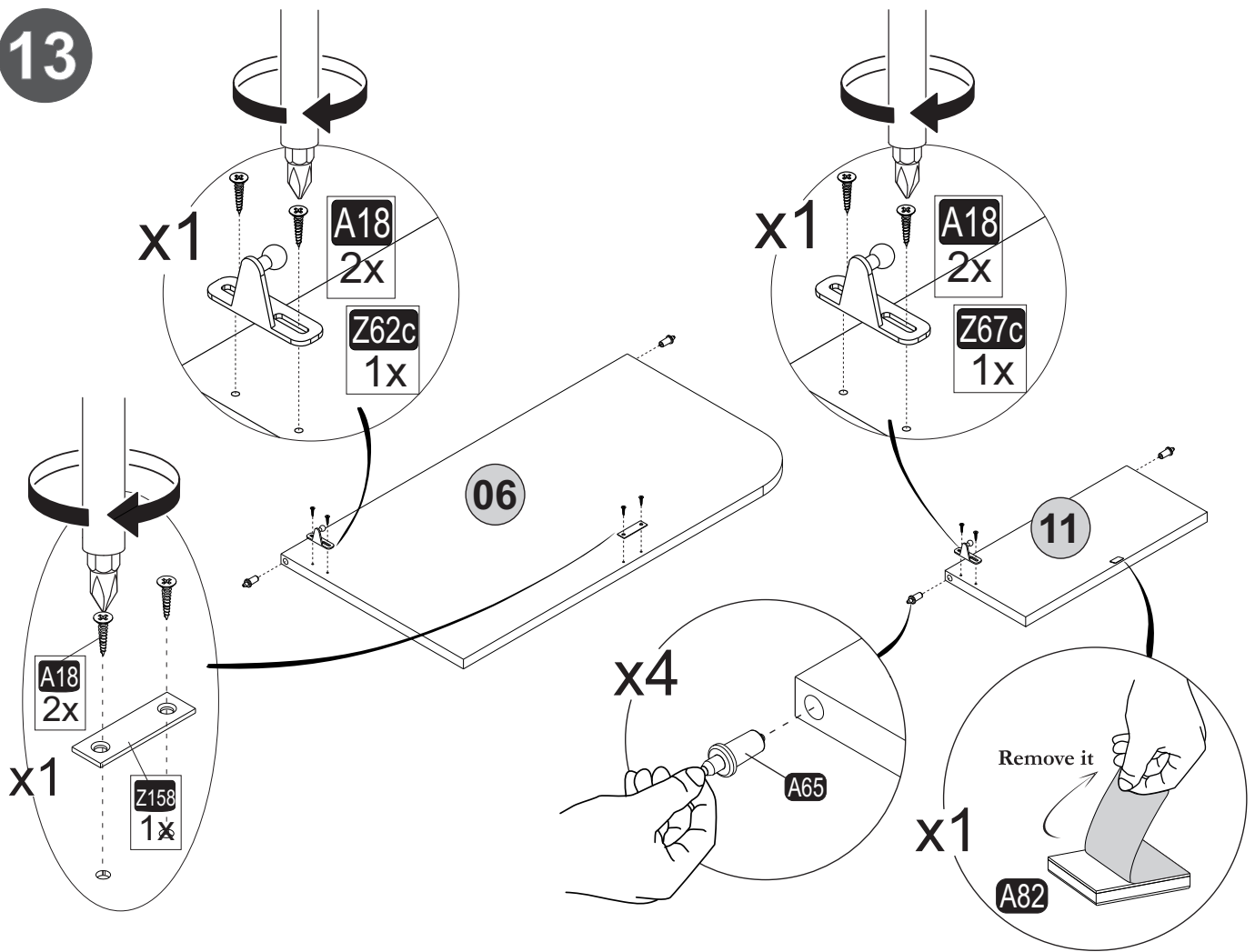
11



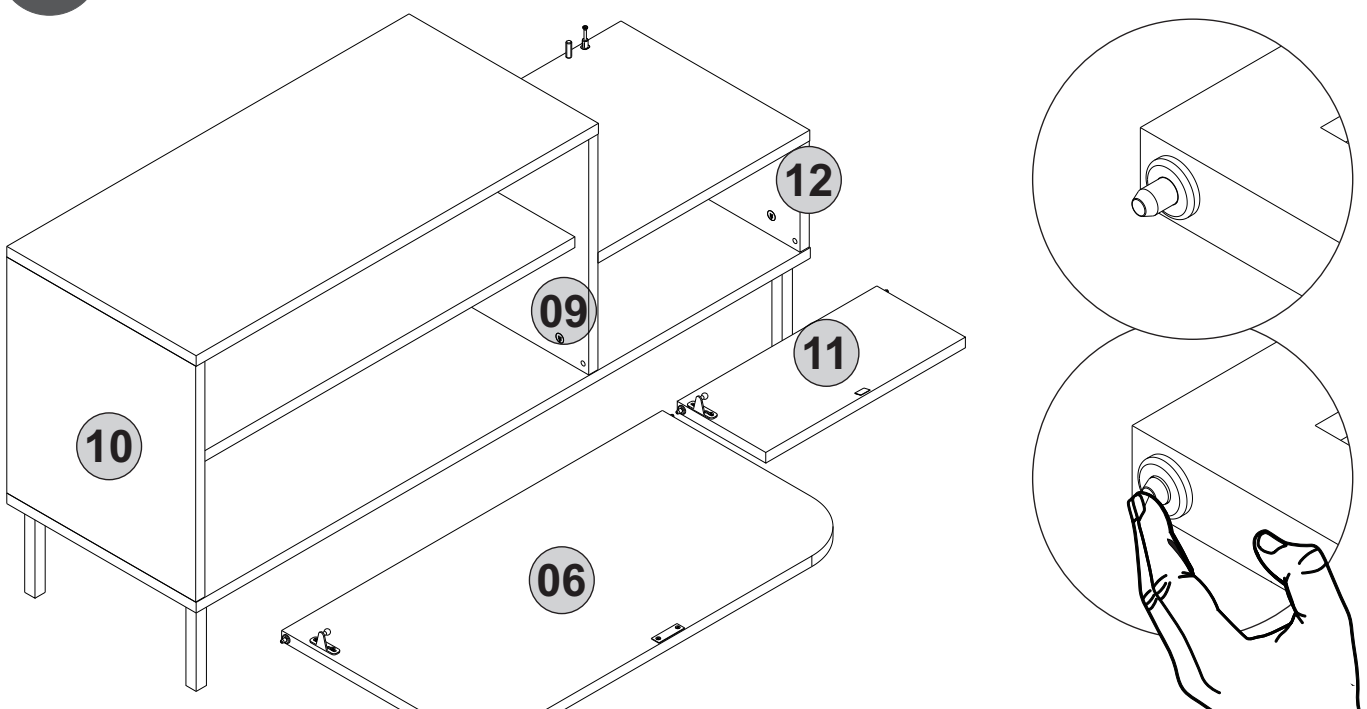
12



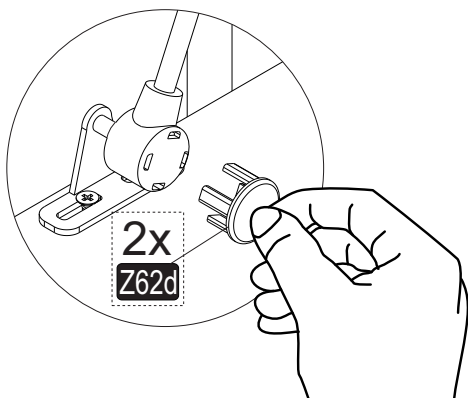
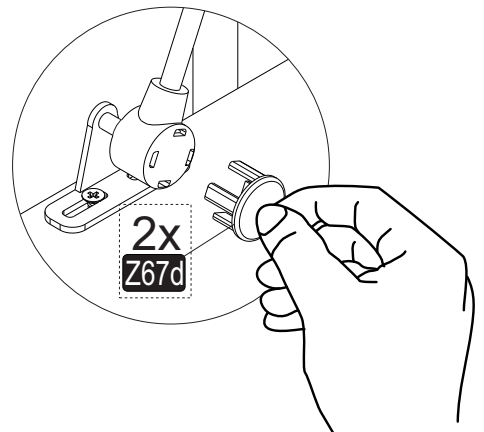
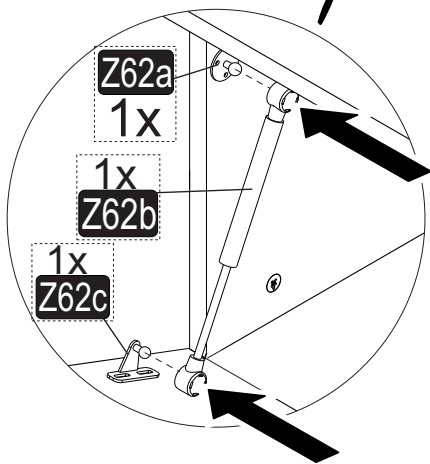
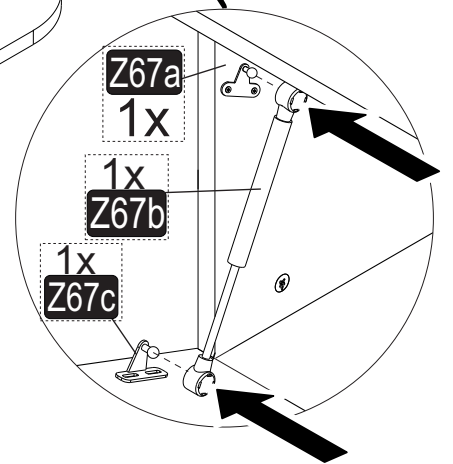
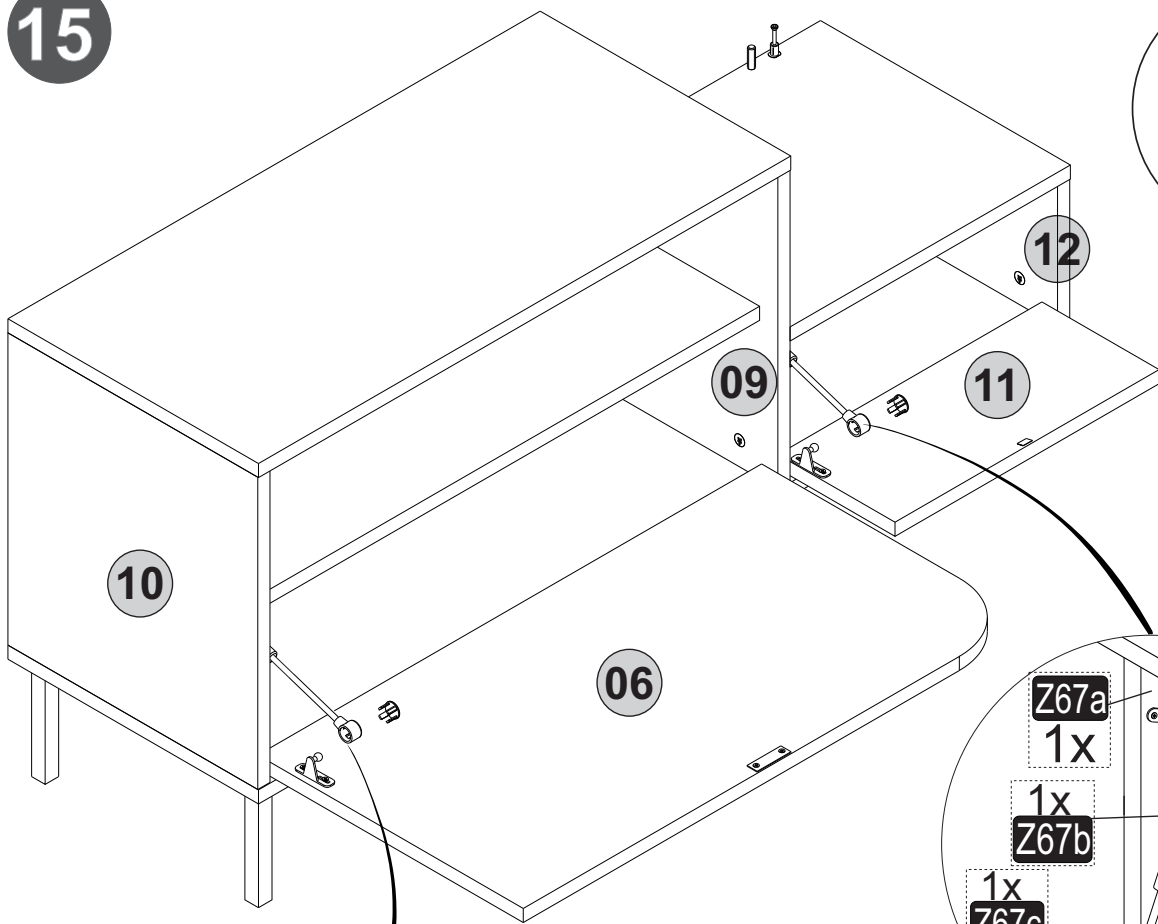
13



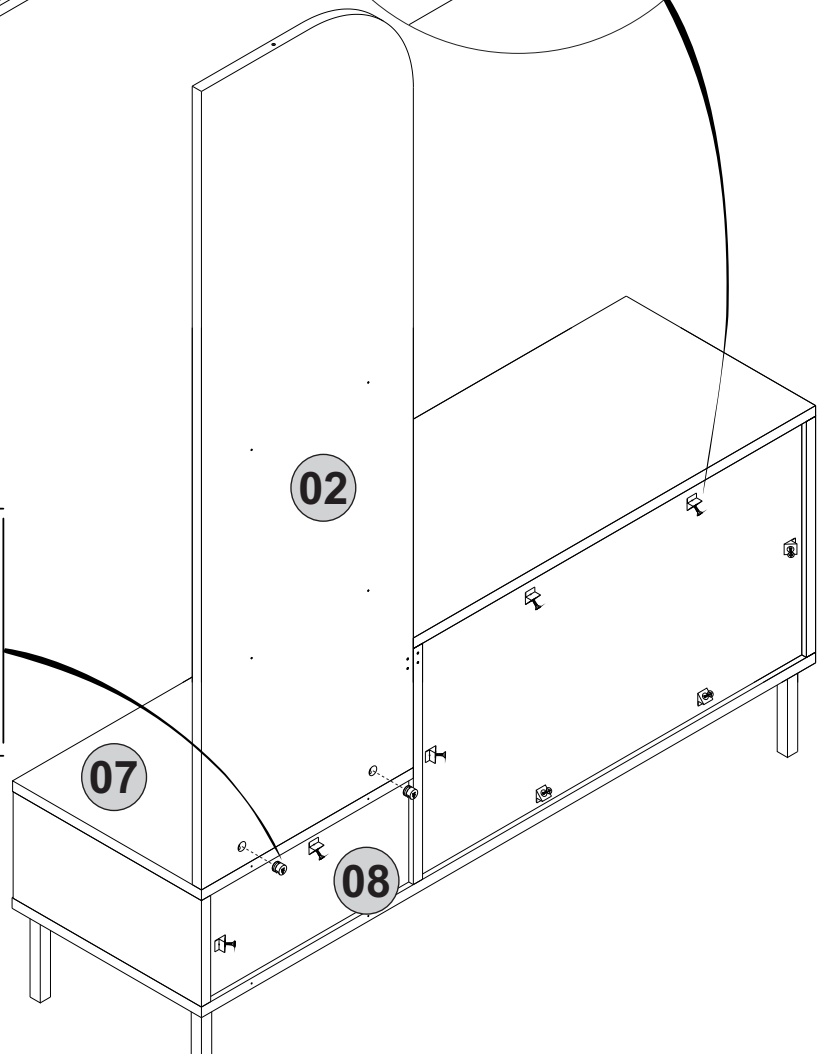
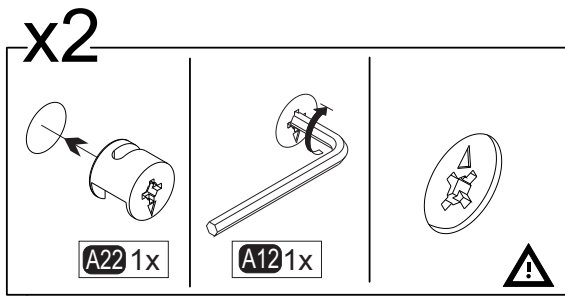
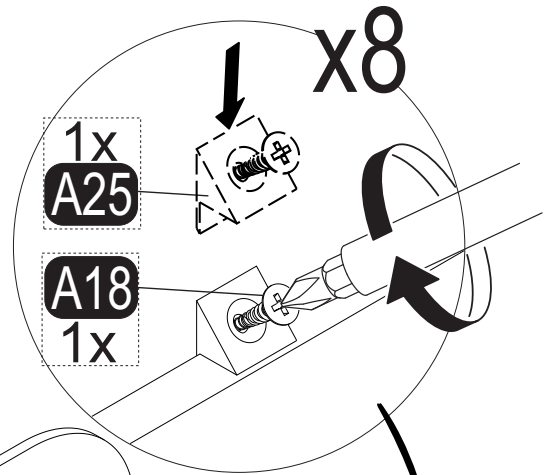
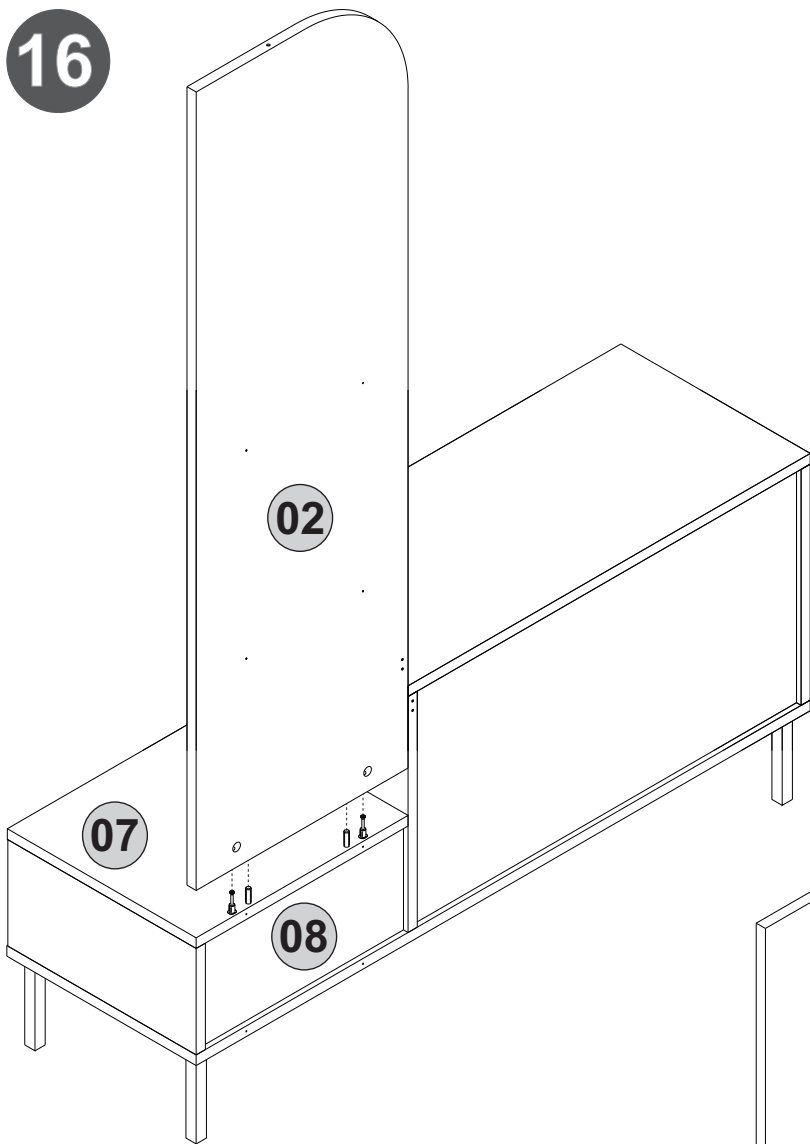
14



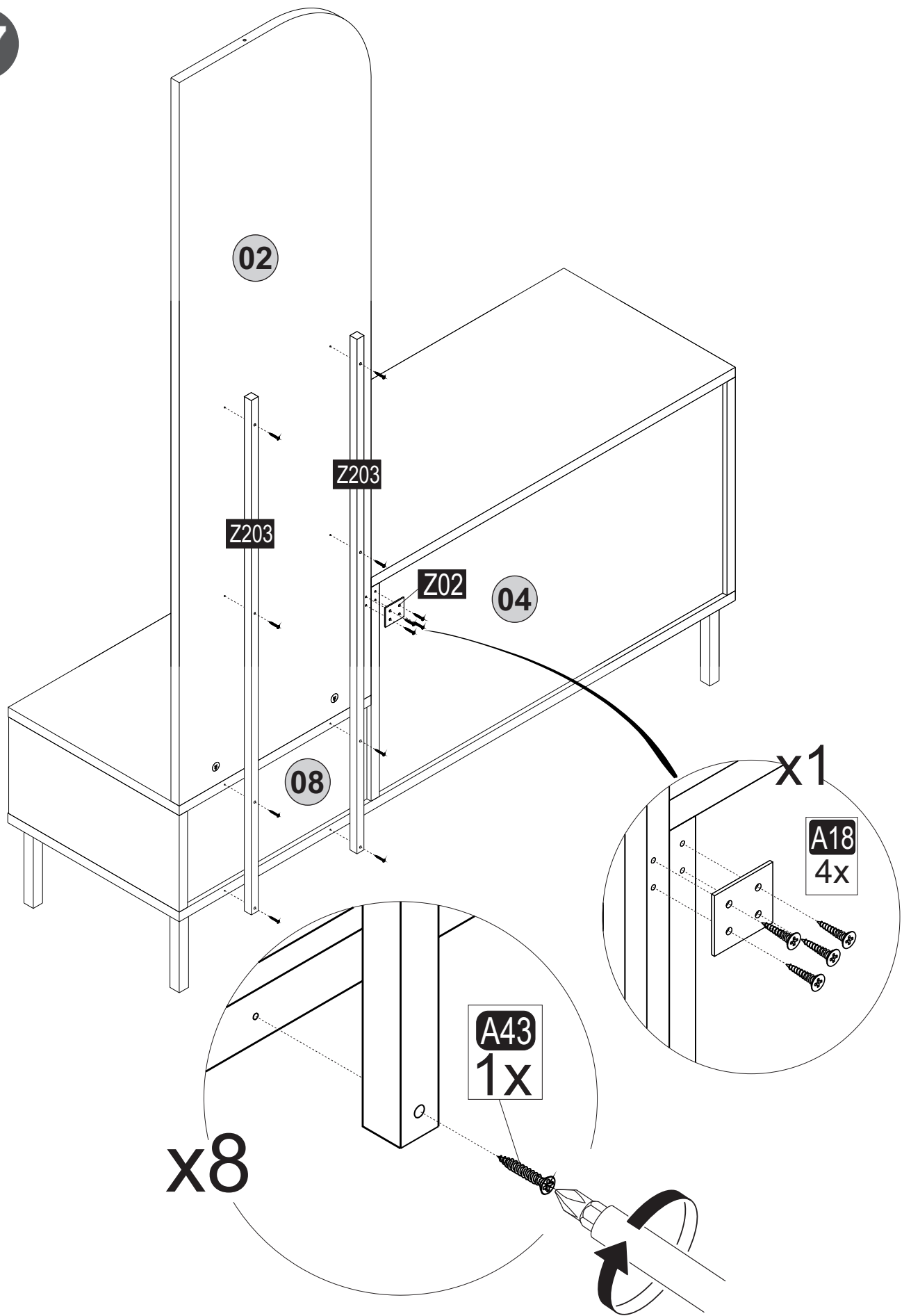
15



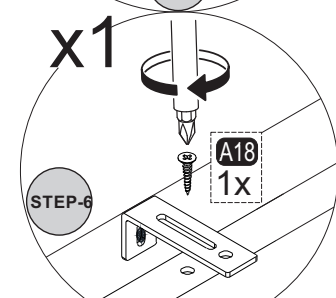
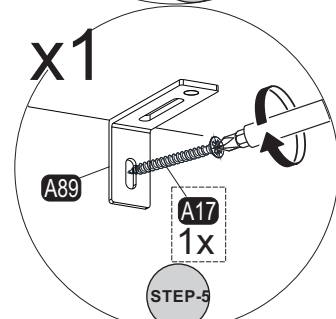
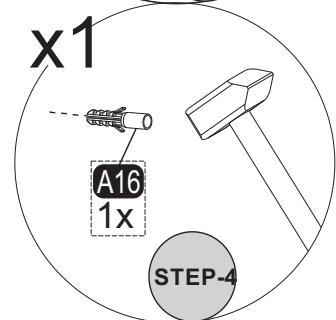
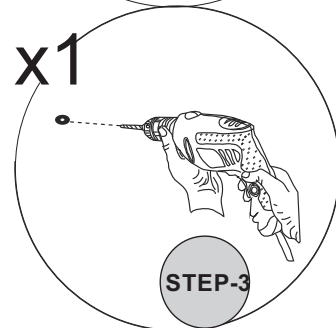
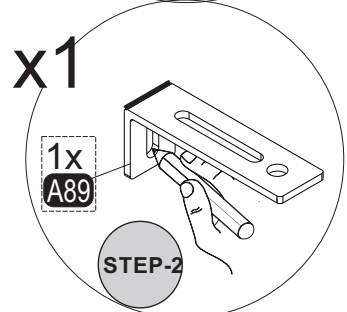
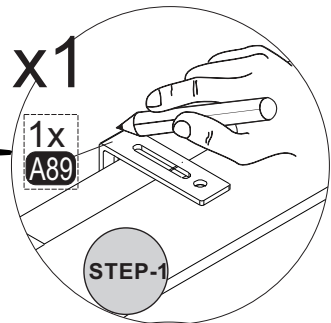
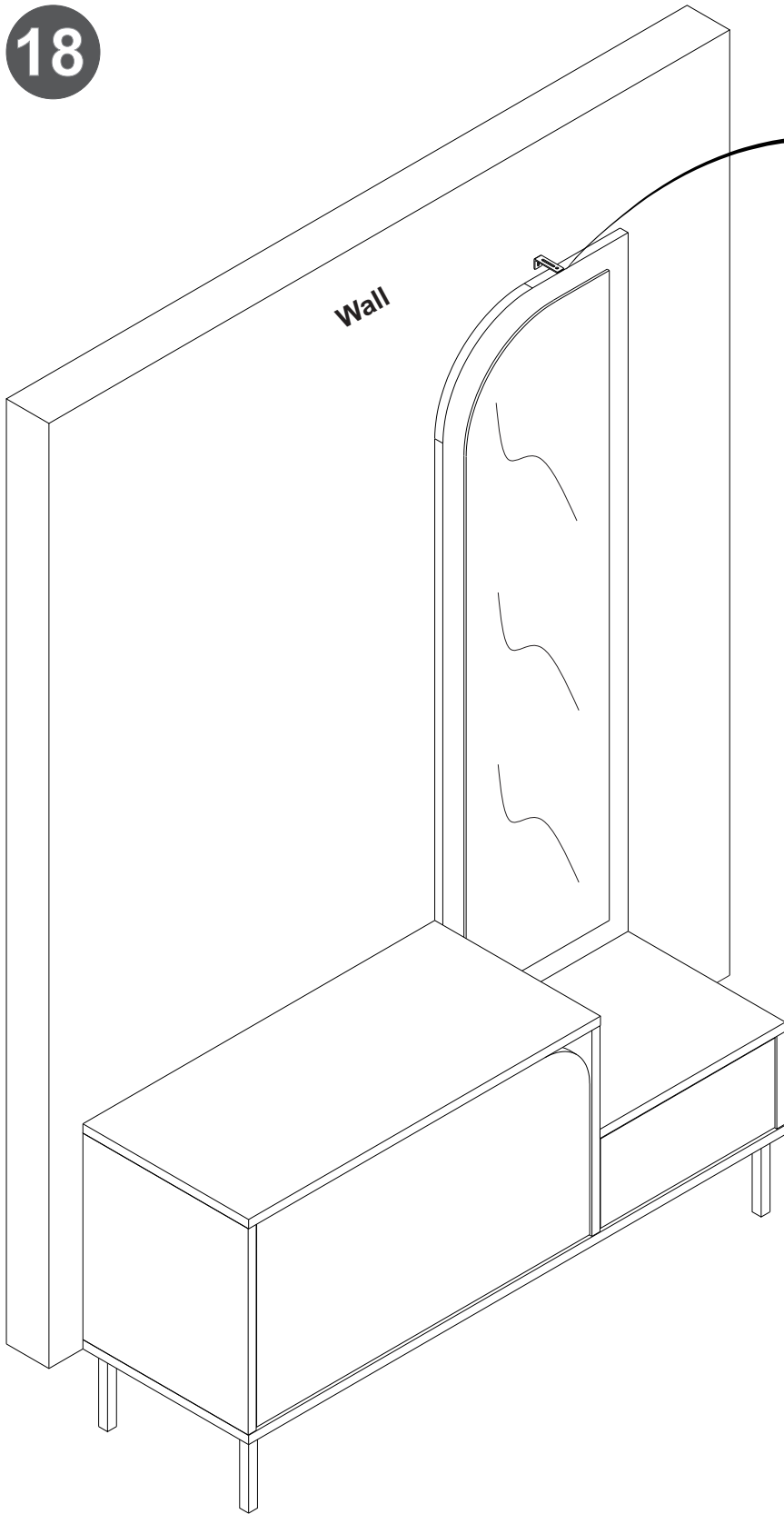
16




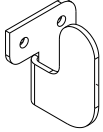


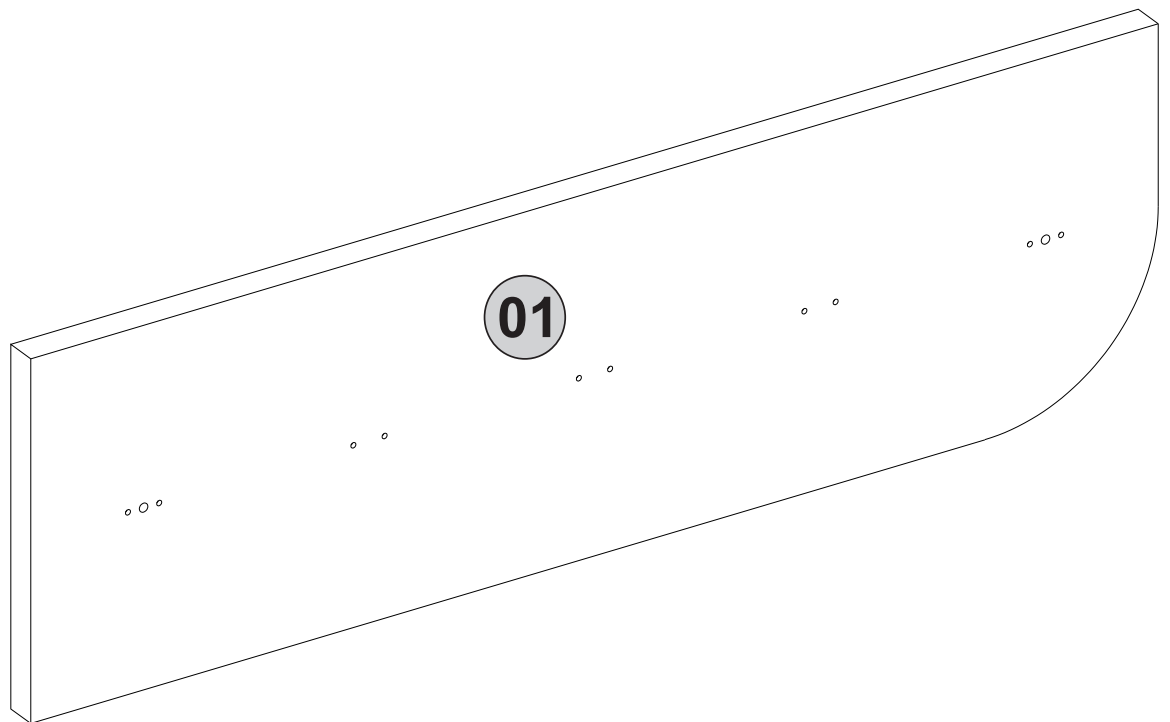
17



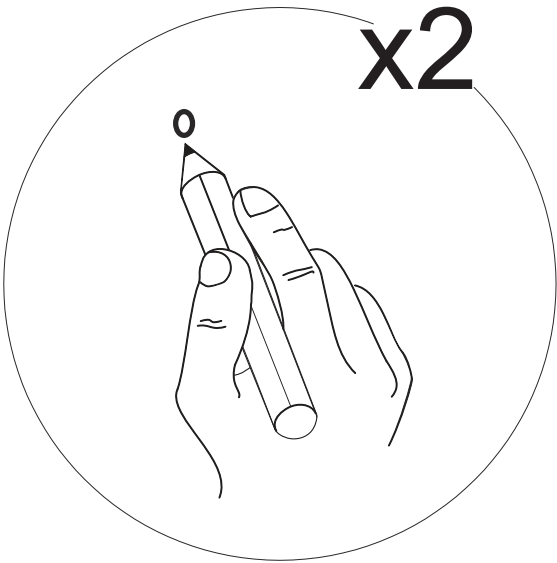
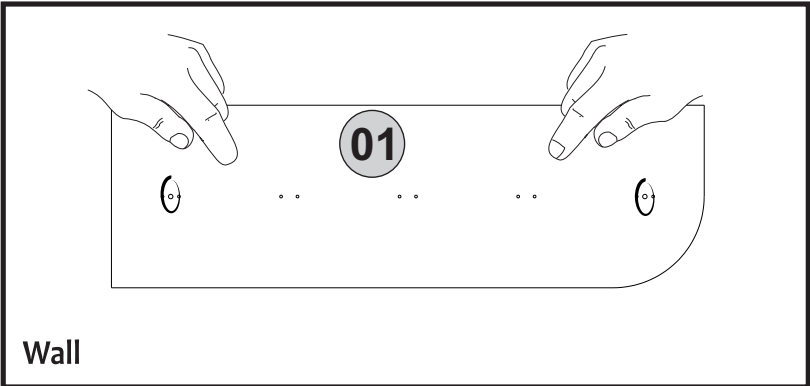
18



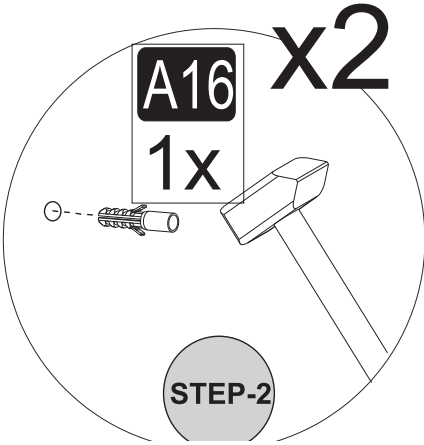
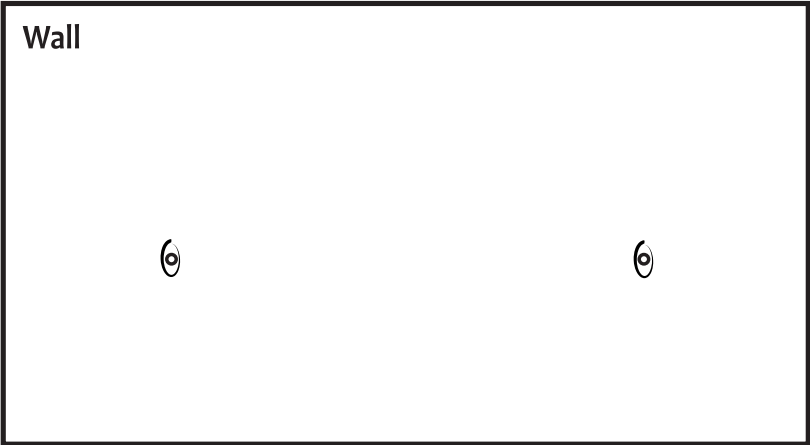
A50  3,5x16 (Black) 10x	A33  4x60 2x	A16  DbØ8 2x	Z153  5x
--	--	--	---



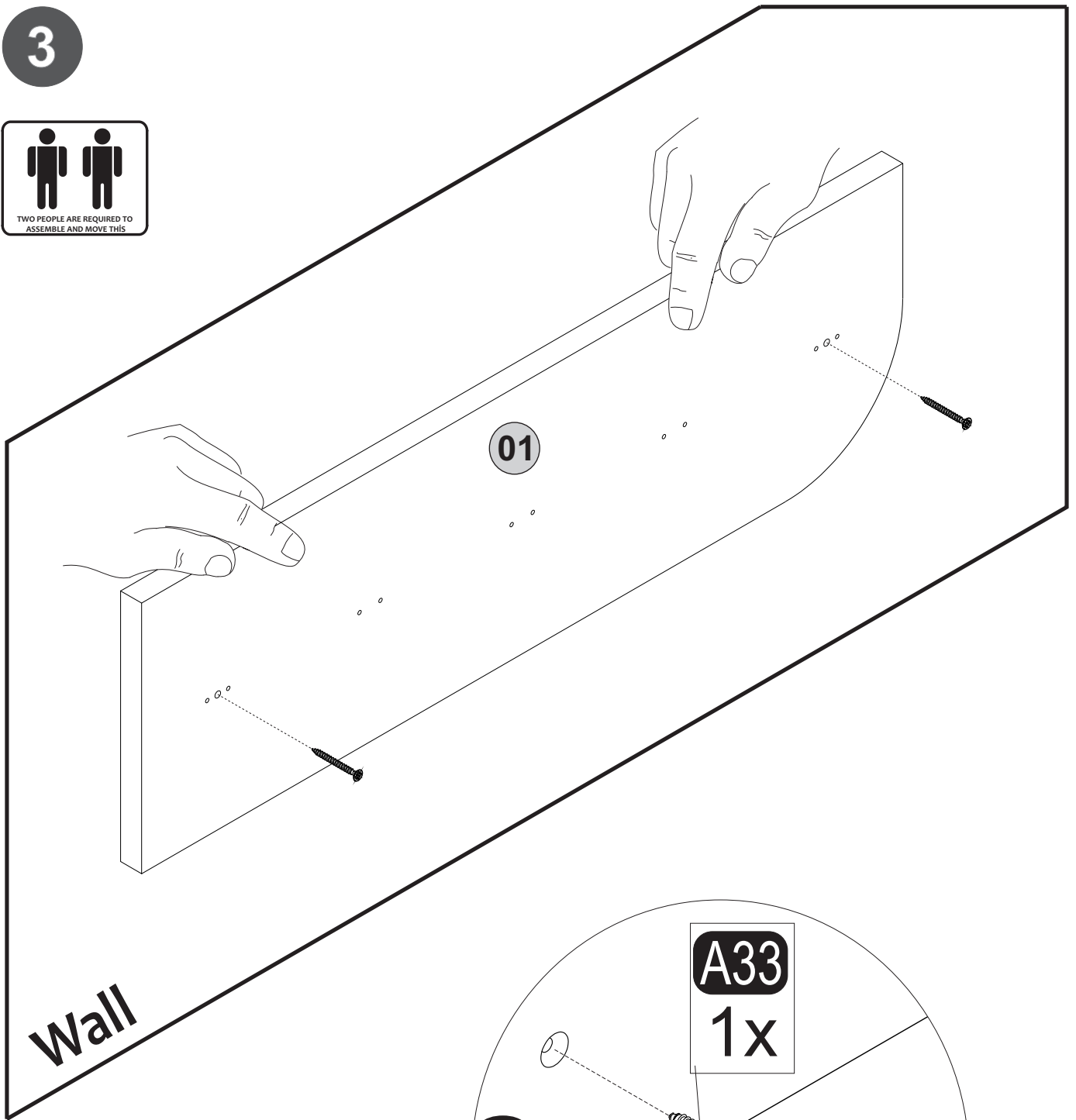
1



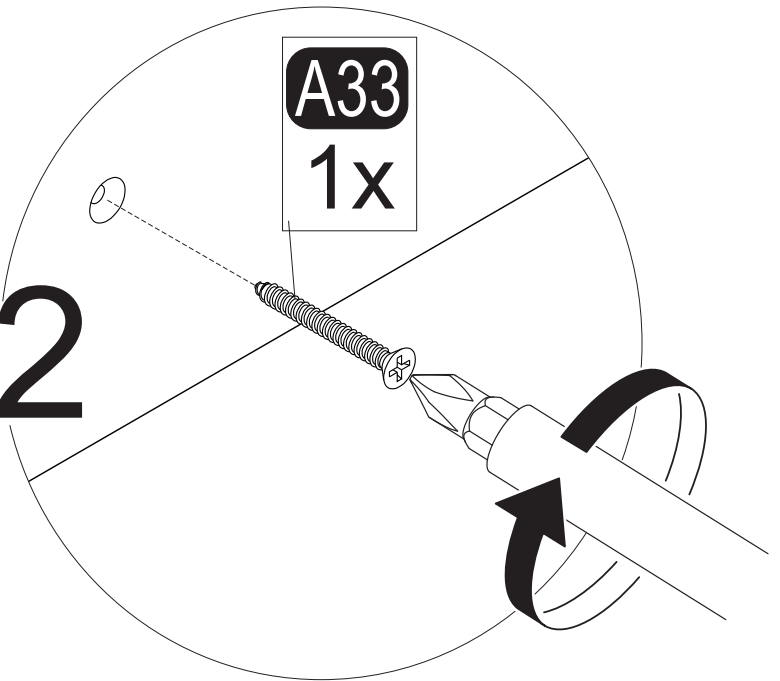
2



3



x2



4

