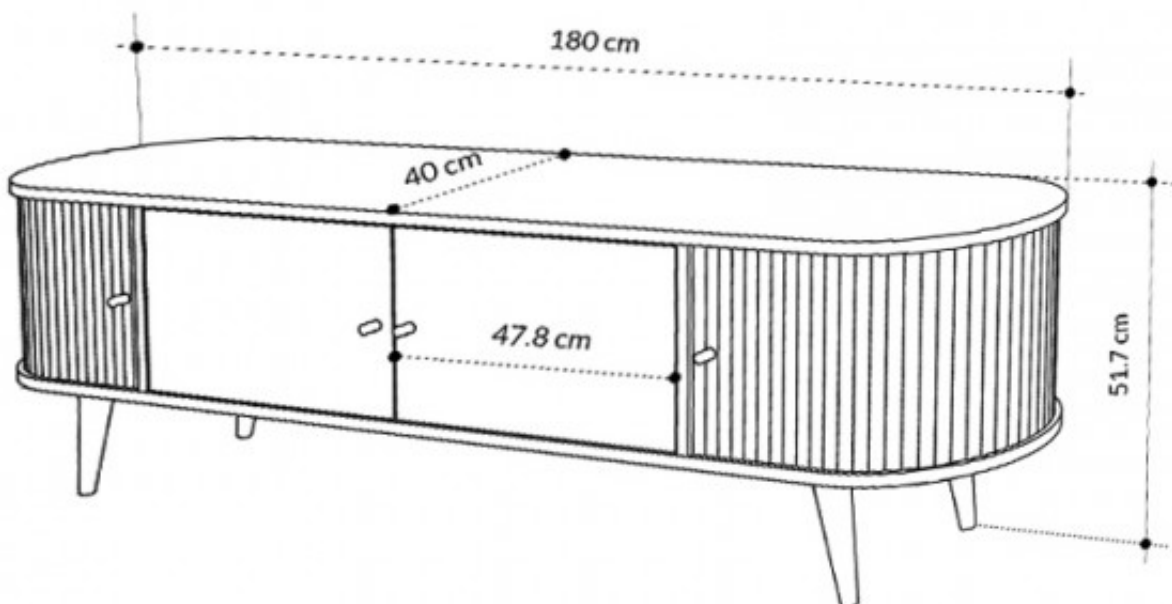
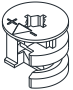
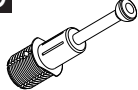
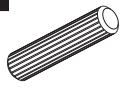




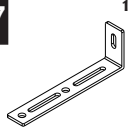

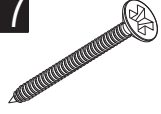


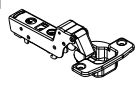
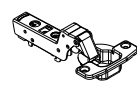




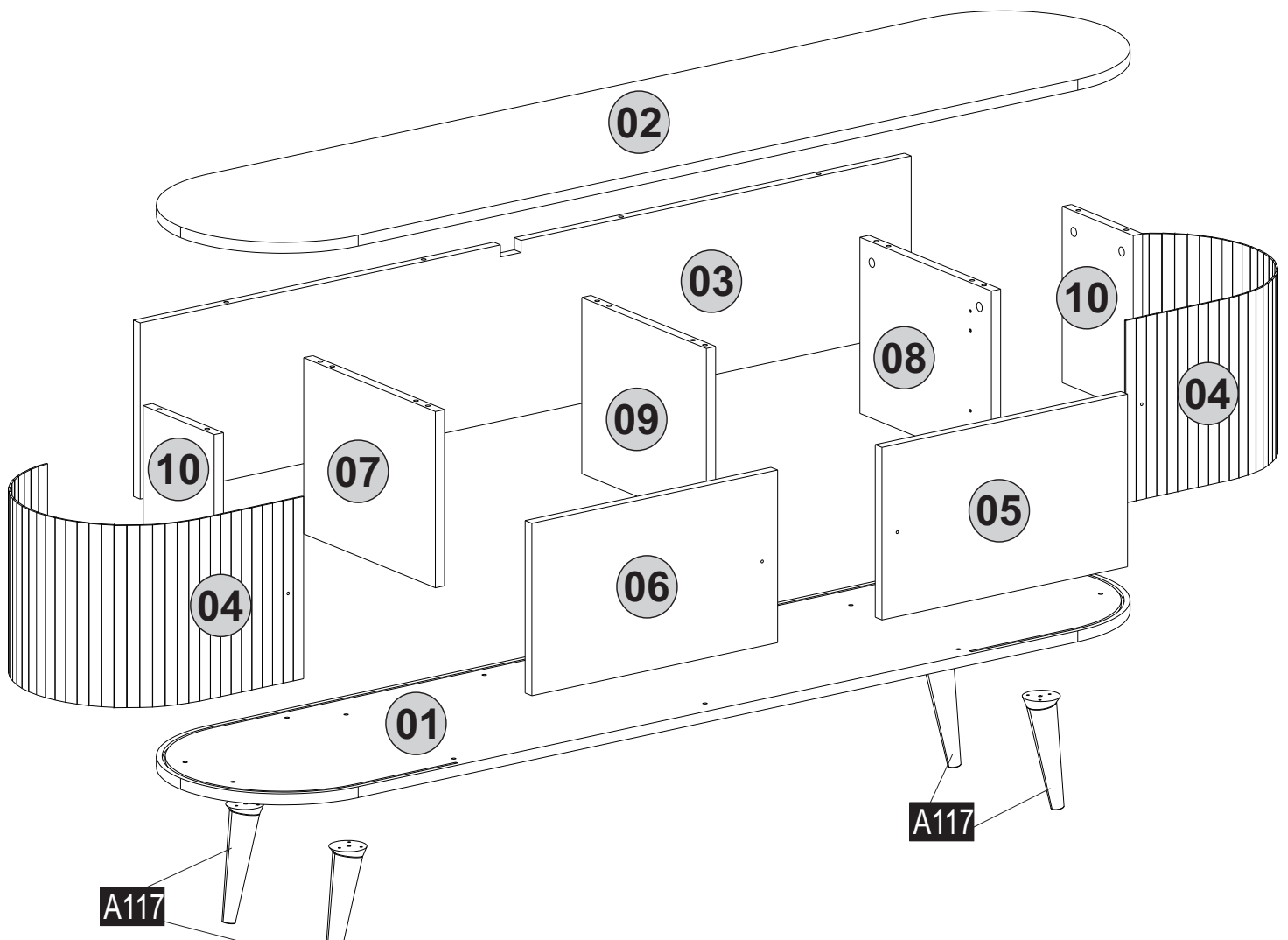




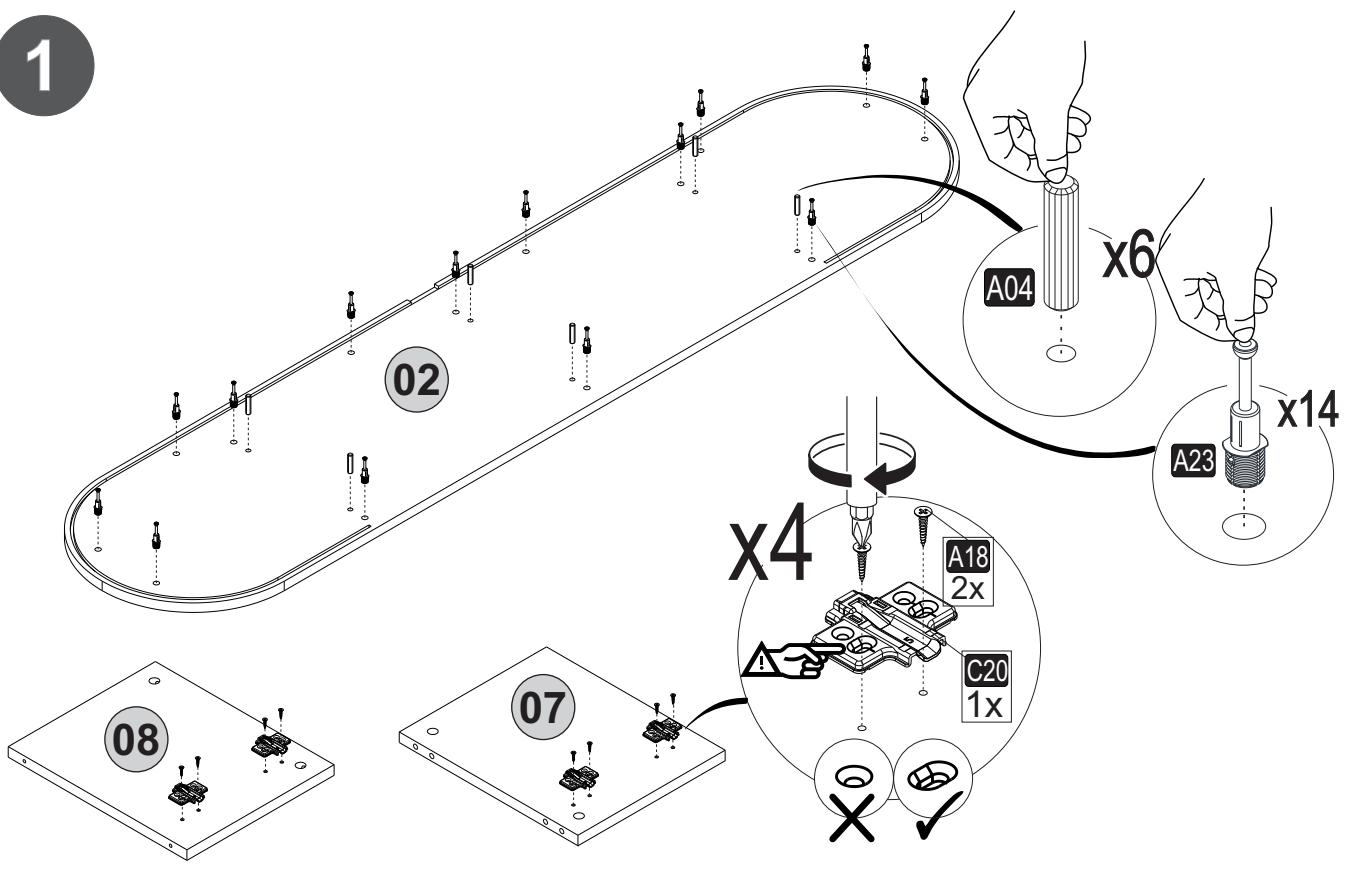
GP037-0202,1



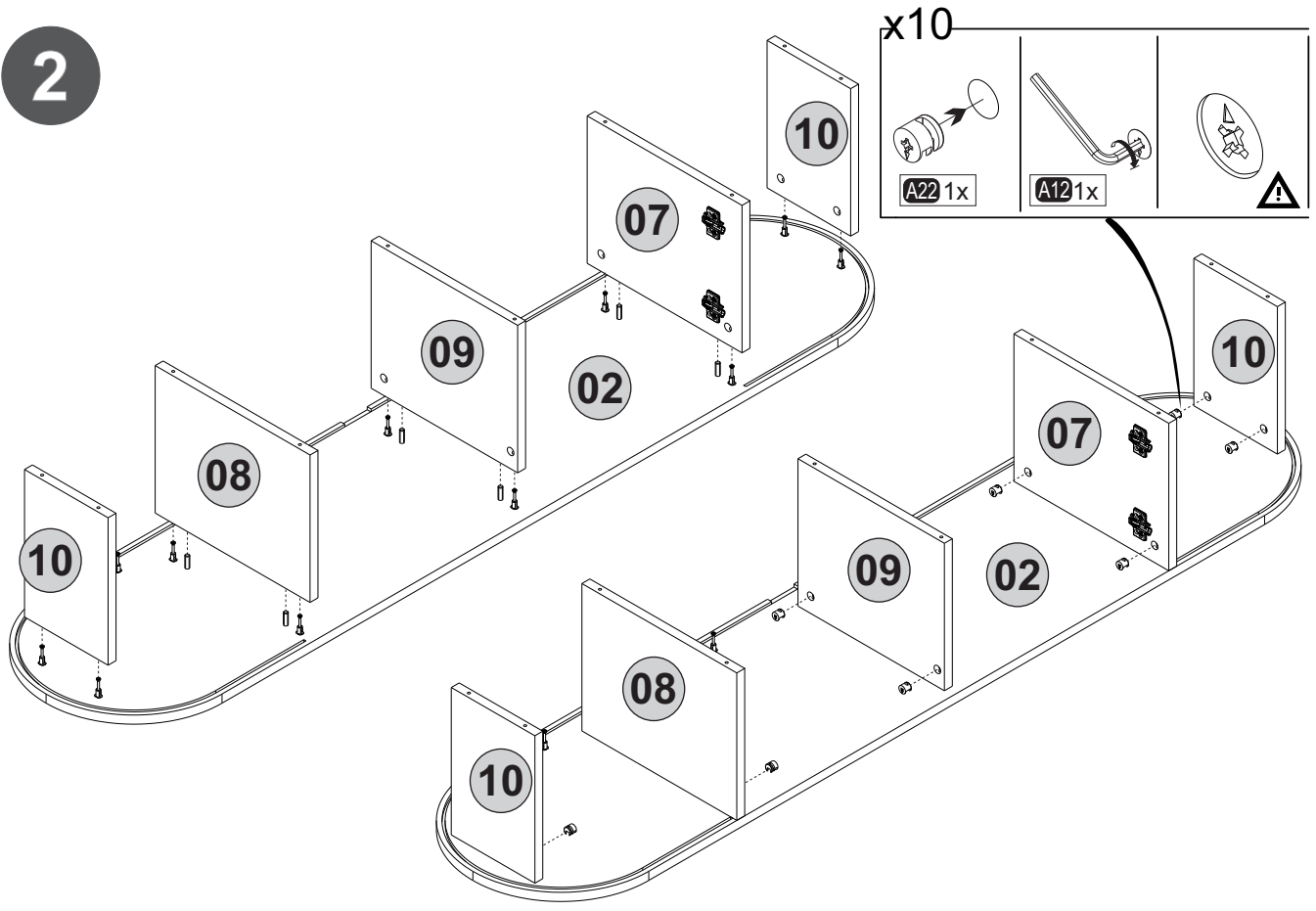
A22 Minifix k18  14x	A23 Minifix M10  14x	A04 Ø8x30  6x	A18 3,5x18  26x	A06 18mm  C1-28x 4X50
A12 Allen  1x	A13 50mm  14x	A87 15x90x30  1x	A16 DbØ8  1x	A17 4X50  1x
A43 4x25  12x	C20 Mtk(S)  4x	C16 Sdb(S)  2x	C19 SdbF(S)  2x	Z07 4x22kv  2x
Z121 MDK  4x	Z195 4x10  2x	A117 HM.KA 150mm  4x		



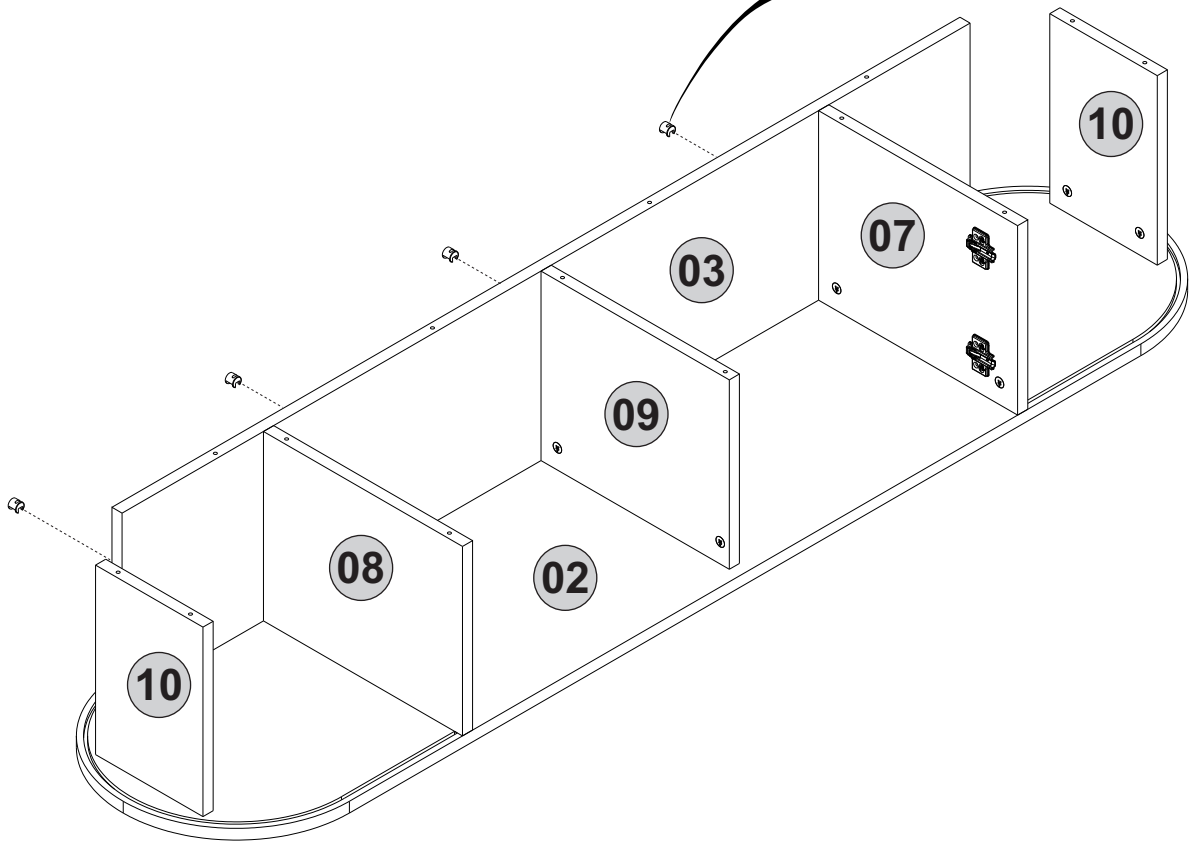
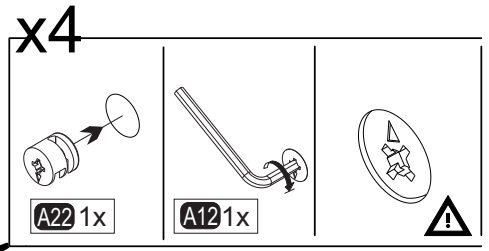
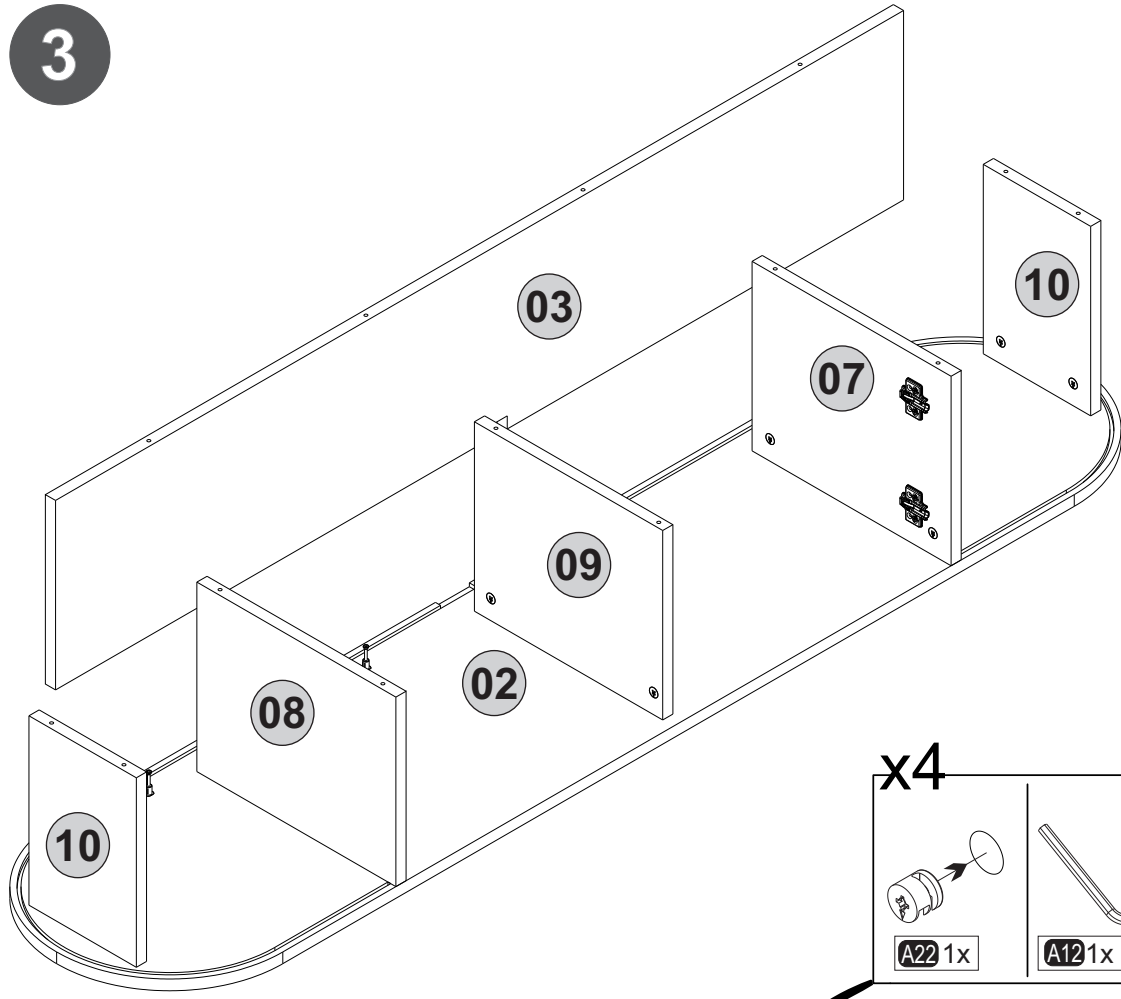
1



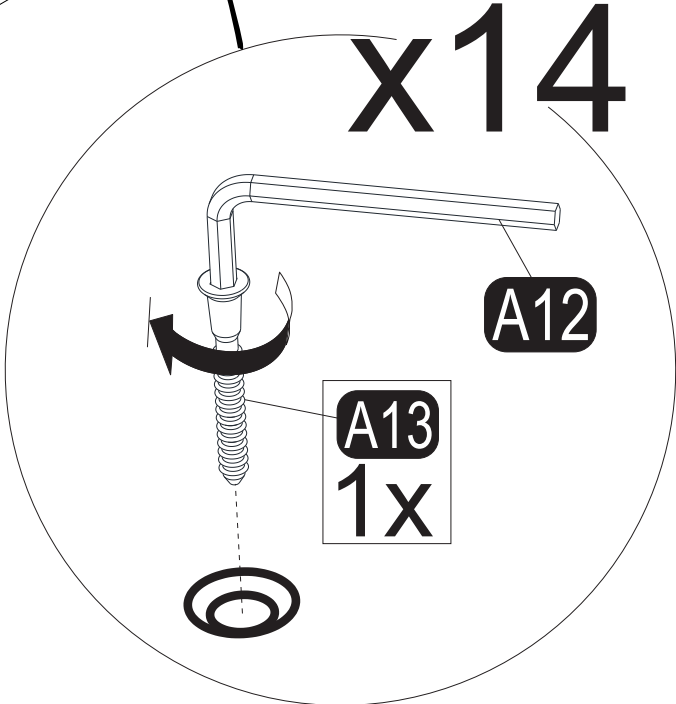
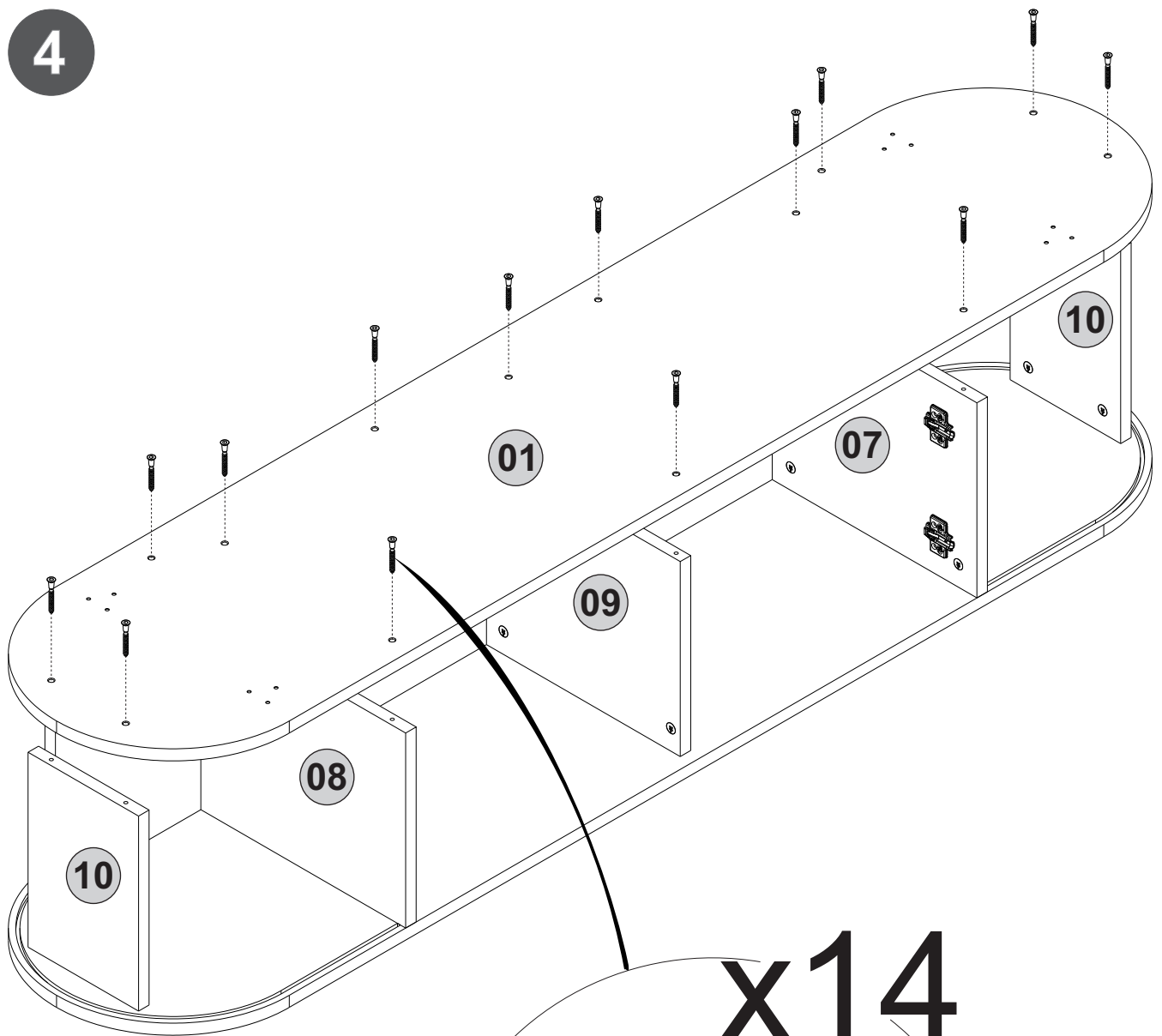
2



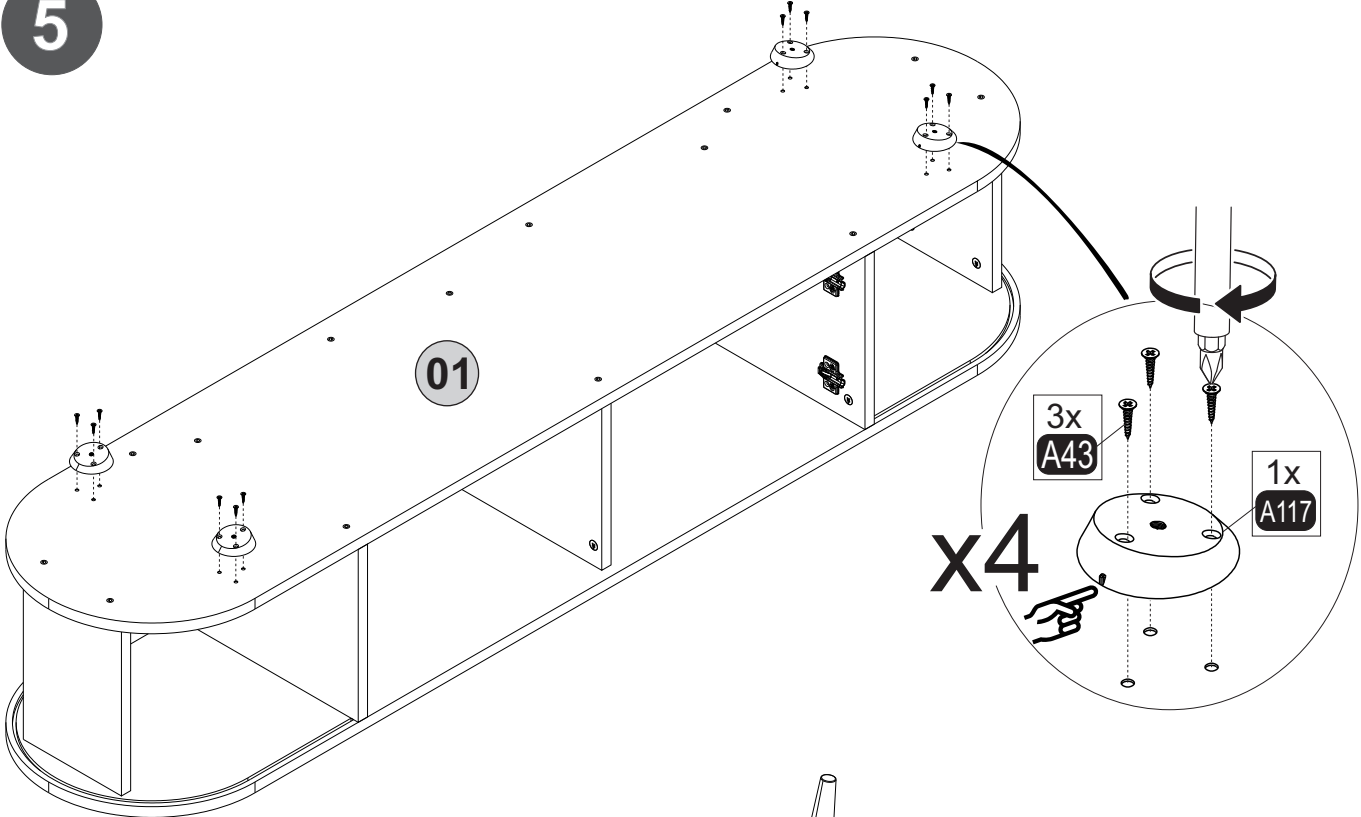
3



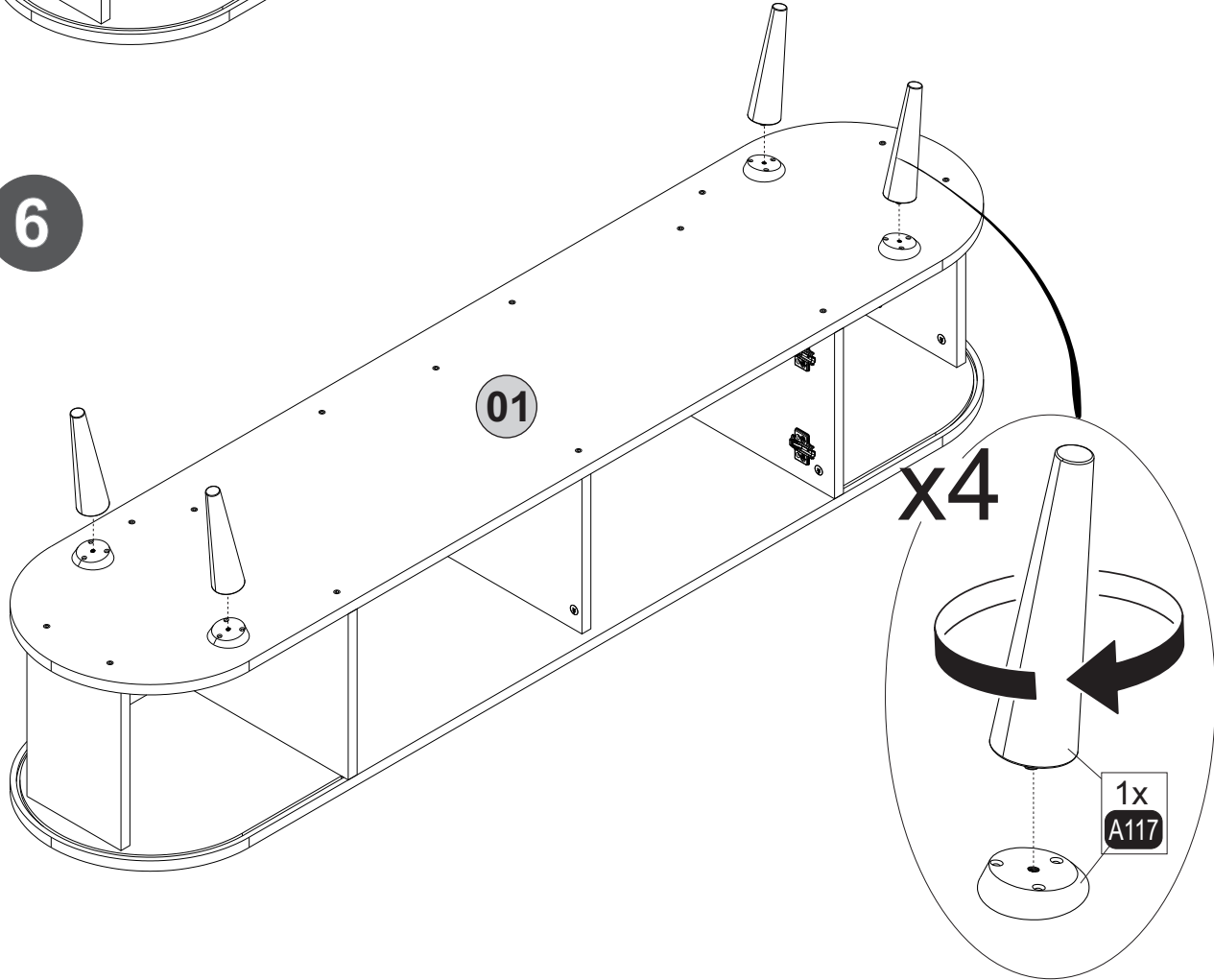
4



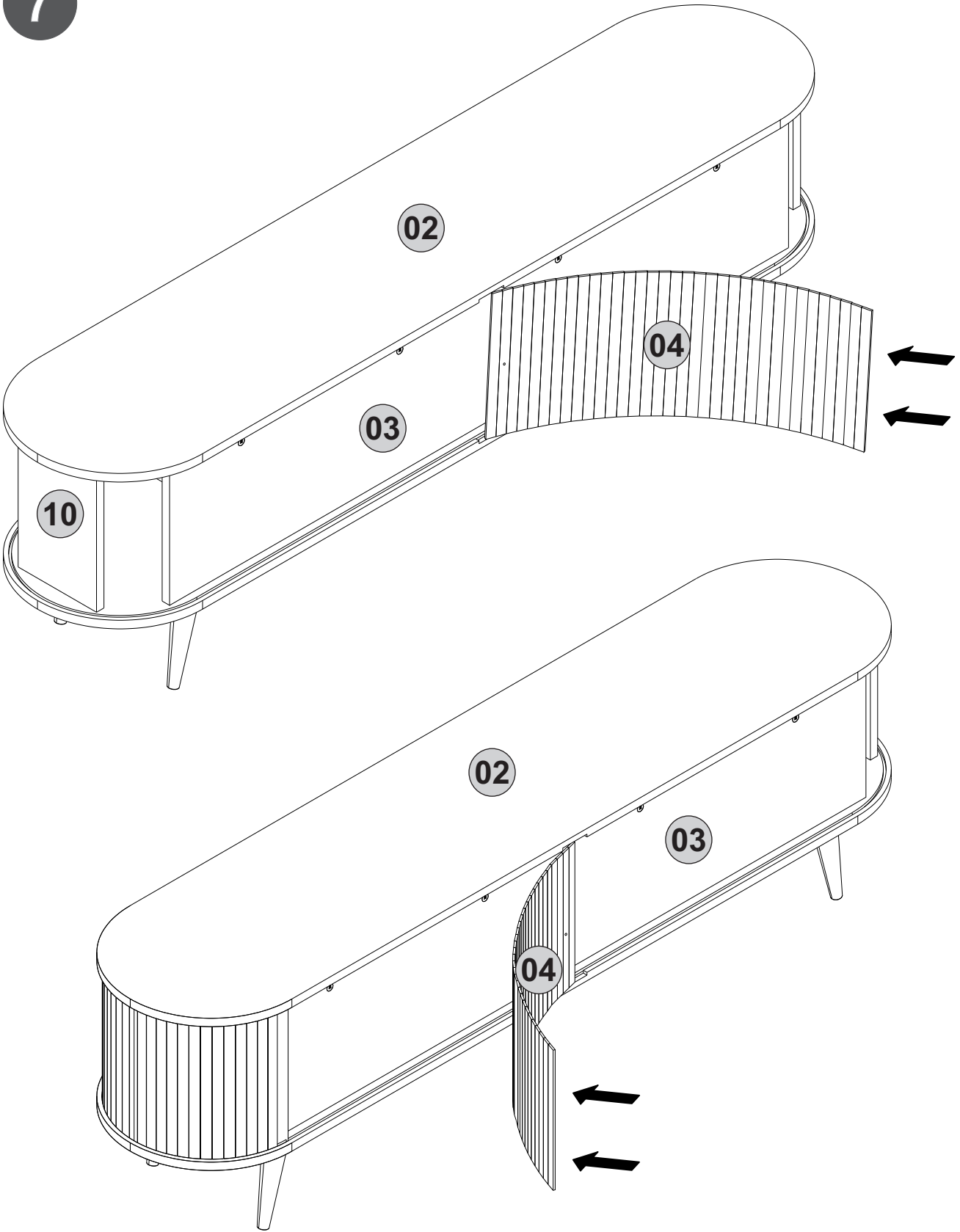
5



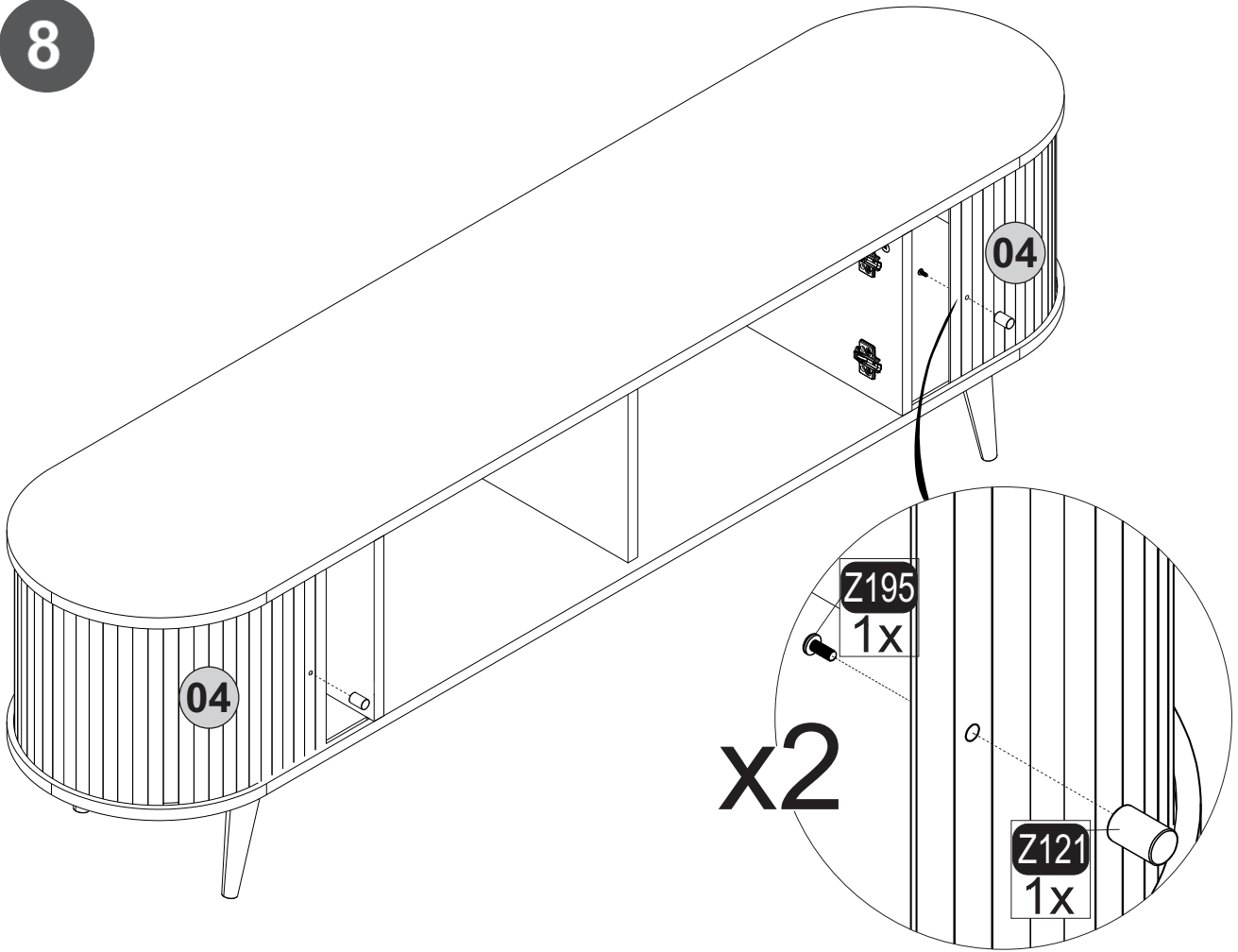
6



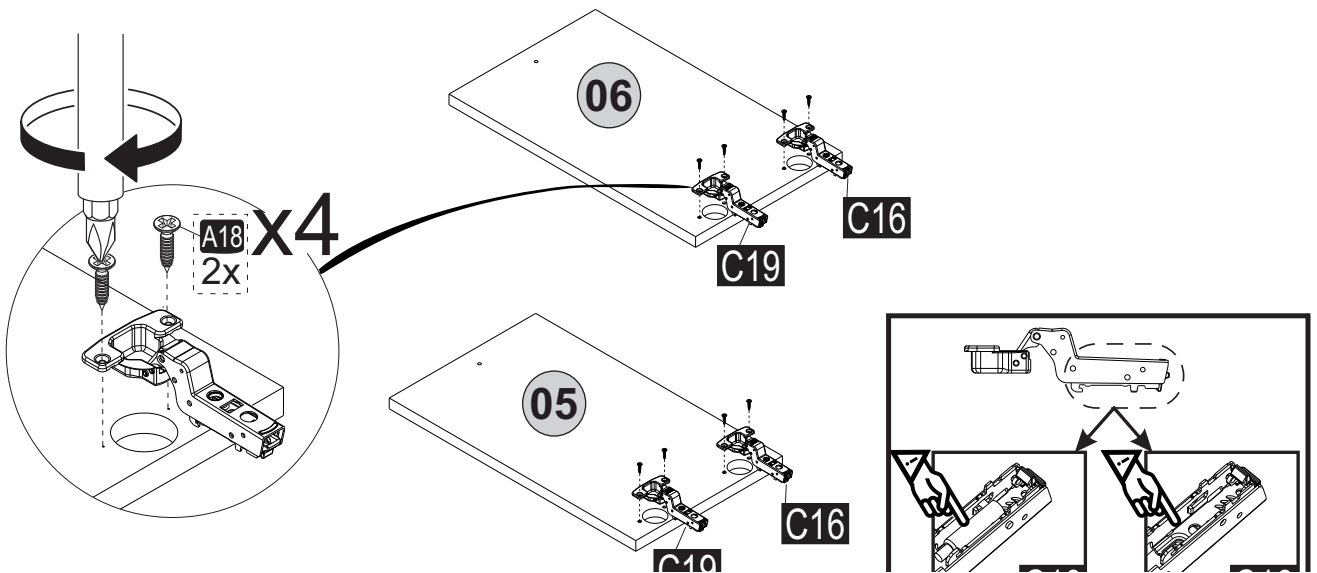
7



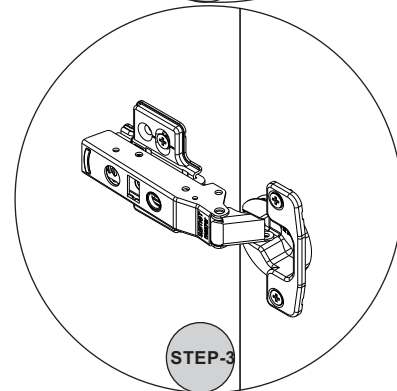
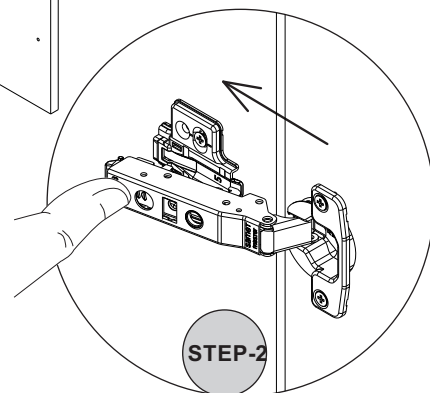
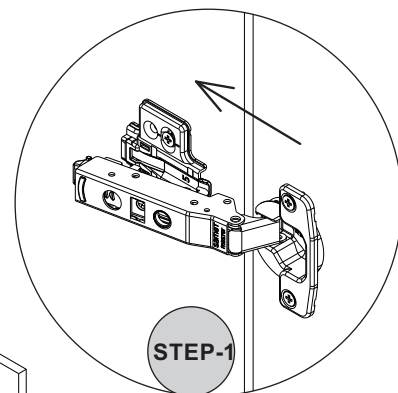
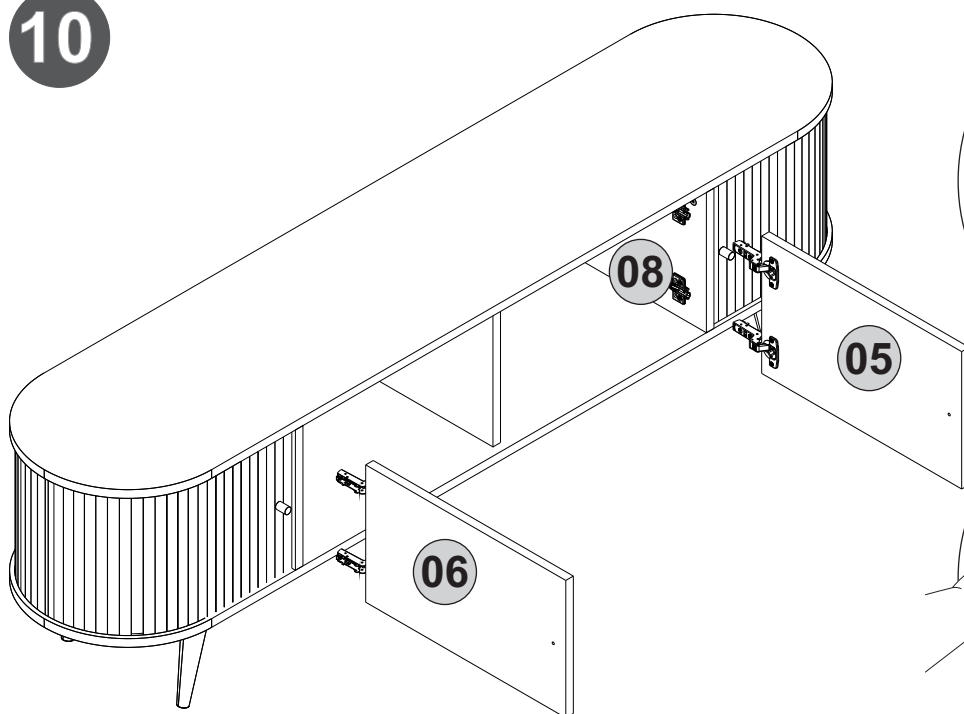
8



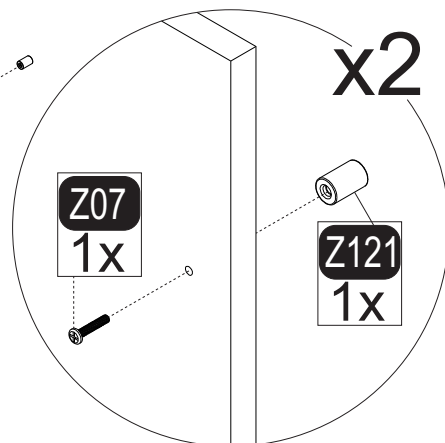
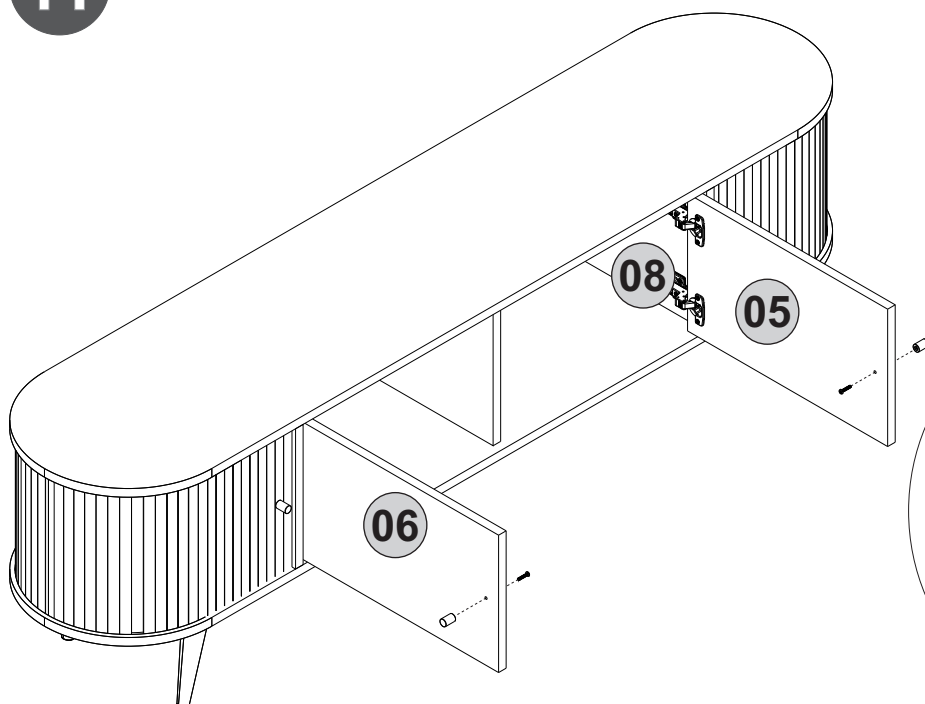
9



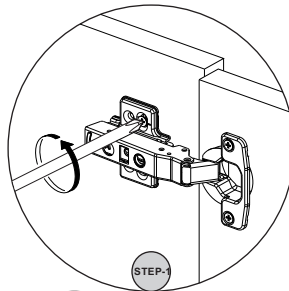
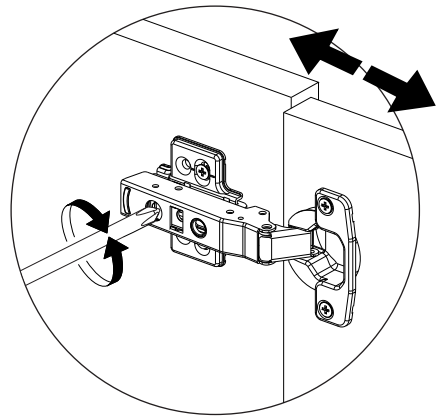
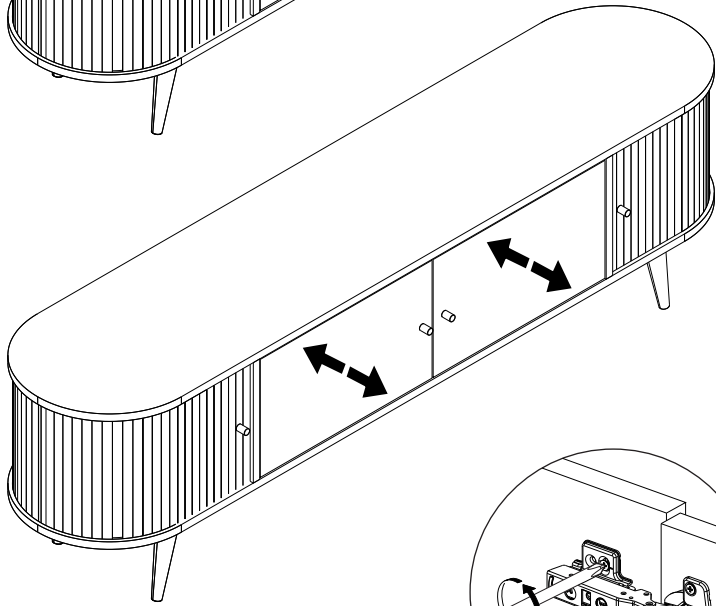
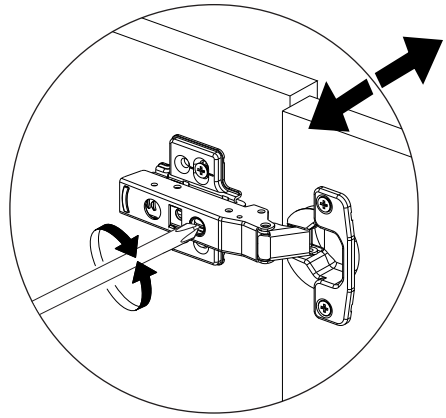
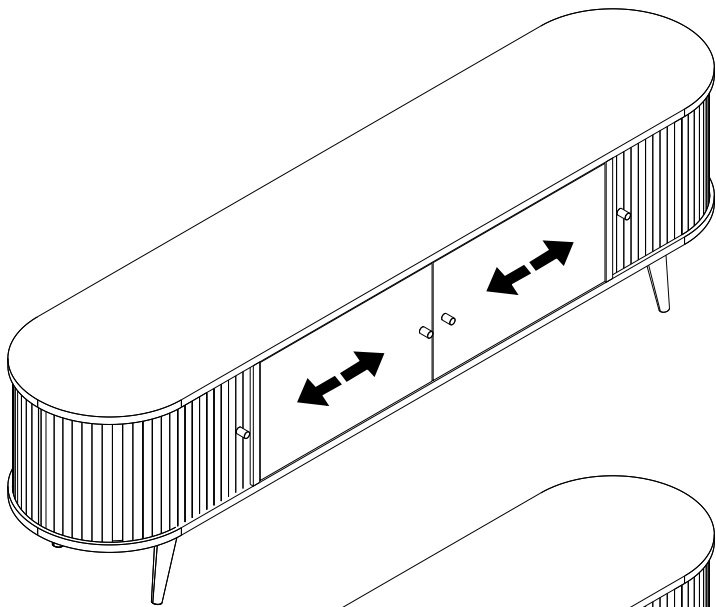
10



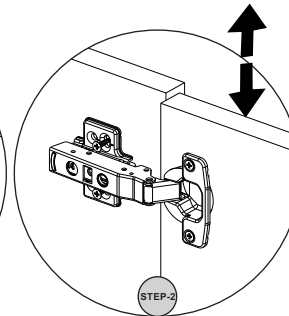
11



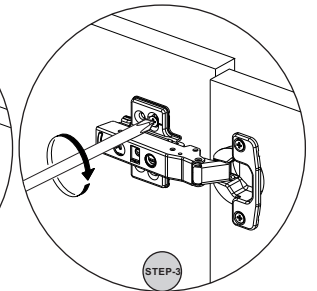
12



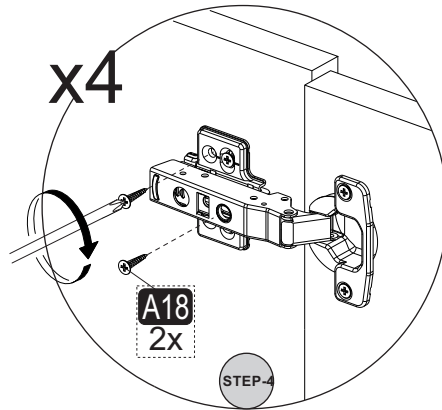
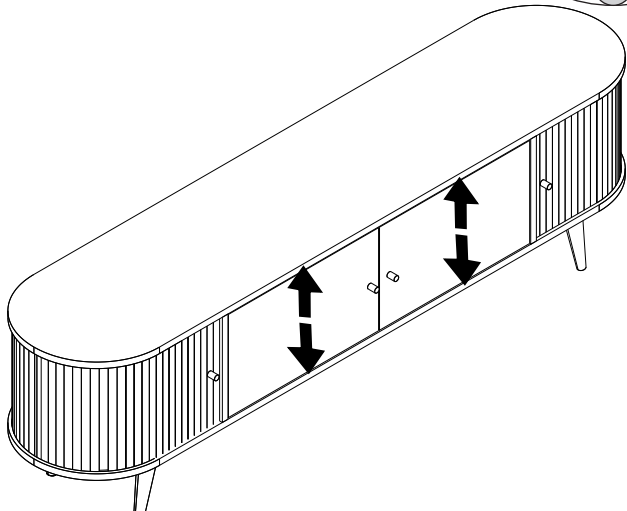
STEP-1



STEP-2



STEP-3



x4

A18
2x

STEP-4

