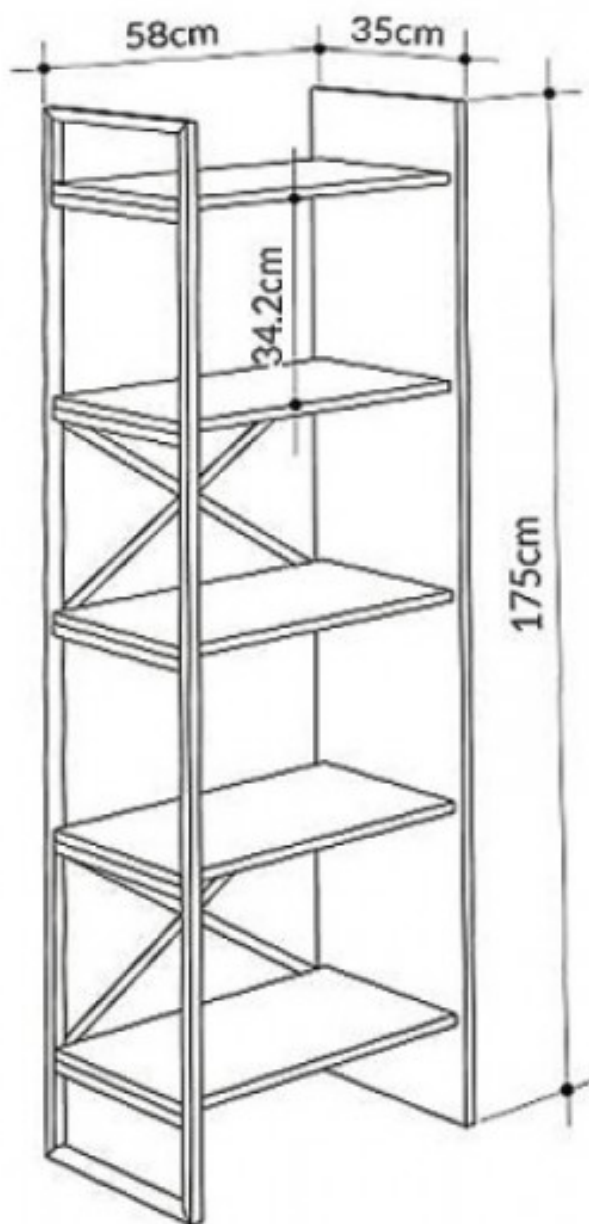
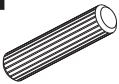





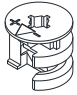
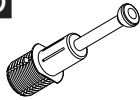

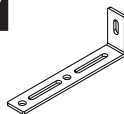


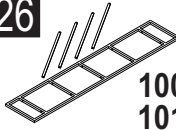
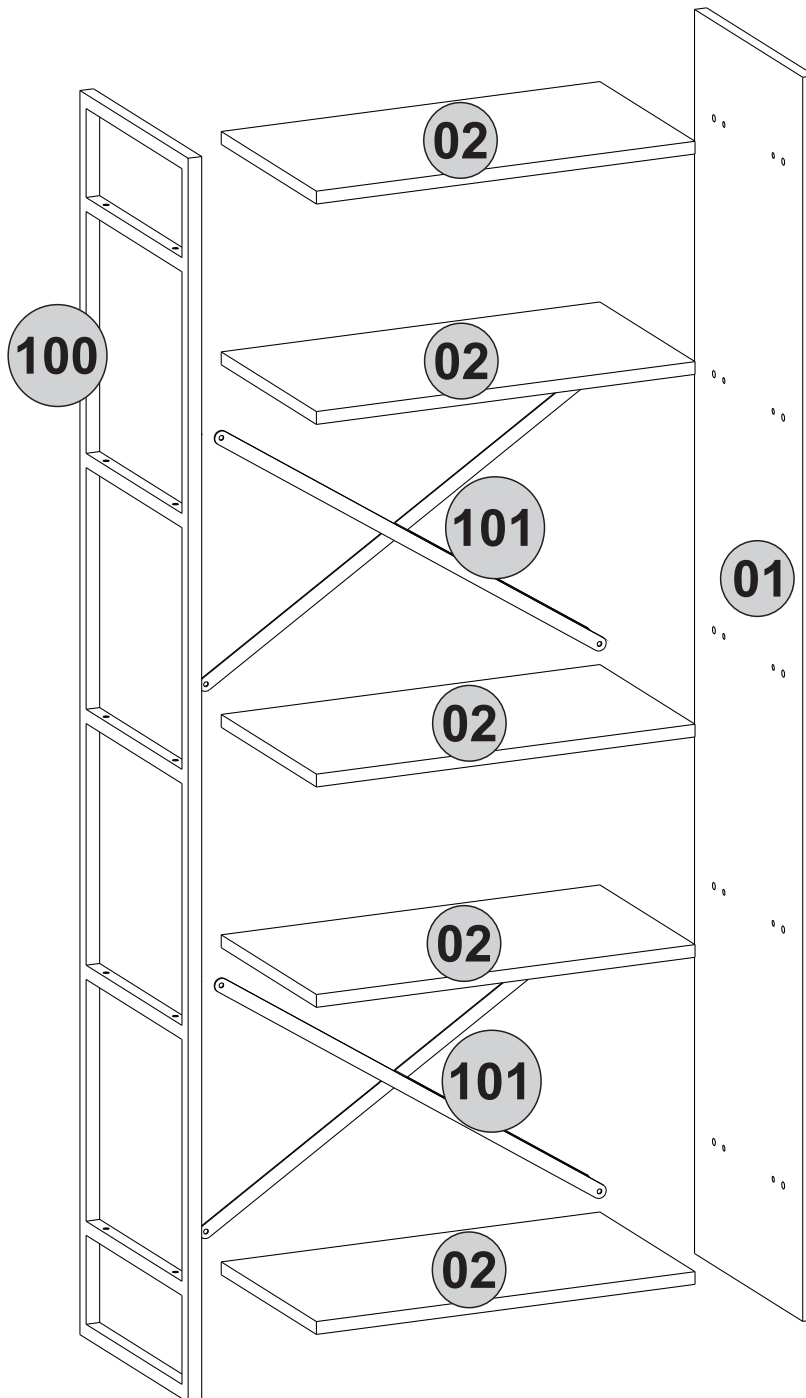


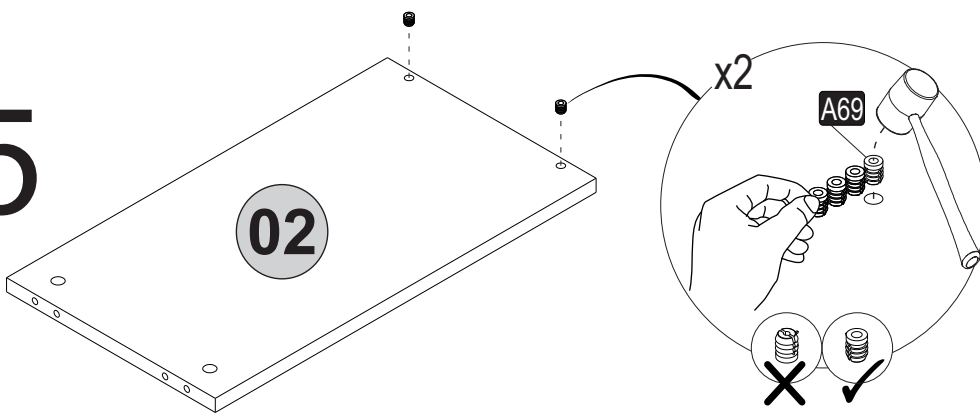
**i** GP037-0228,1



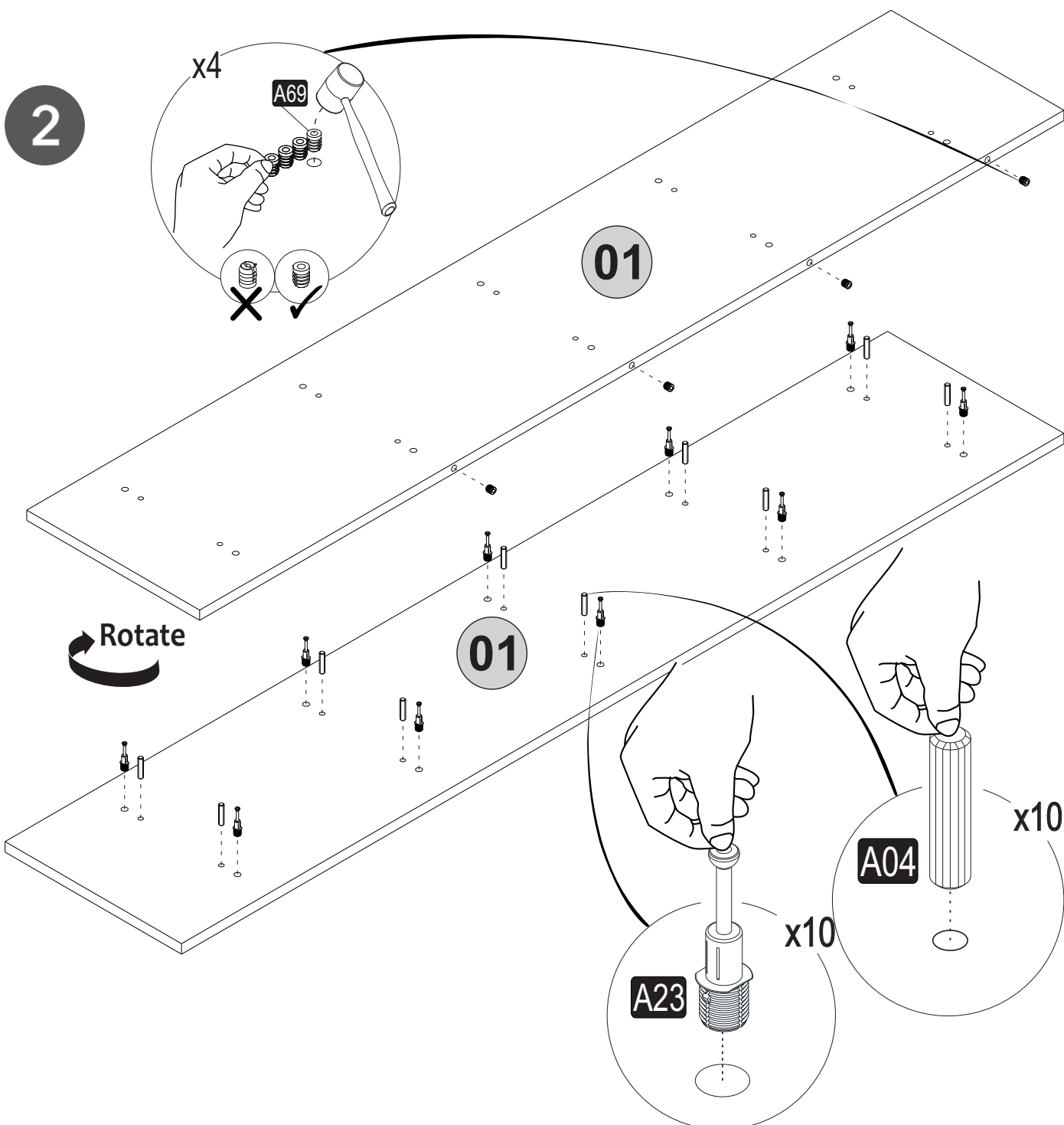
<b>A04</b>  Ø8x30 <b>10x</b>	<b>A06</b>  18mm <b>C1-10x</b>	<b>A12</b>  Allen <b>1x</b>	<b>A16</b>  DbØ8 <b>1x</b>	<b>A17</b>  4X50 <b>1x</b>
<b>A18</b>  3,5x18 <b>2x</b>	<b>A22</b>  Minifix k18 <b>10x</b>	<b>A23</b>  Minifix M10 <b>10x</b>	<b>A69</b>  P.D. <b>14x</b>	<b>A87</b>  15x90x30 <b>1x</b>
<b>B11</b>  10 (black)mm <b>8x</b>	<b>B12</b>  30 (black)mm <b>10x</b>	<b>Z126</b>  DKP <b>100-1x</b> <b>101-4x</b>		



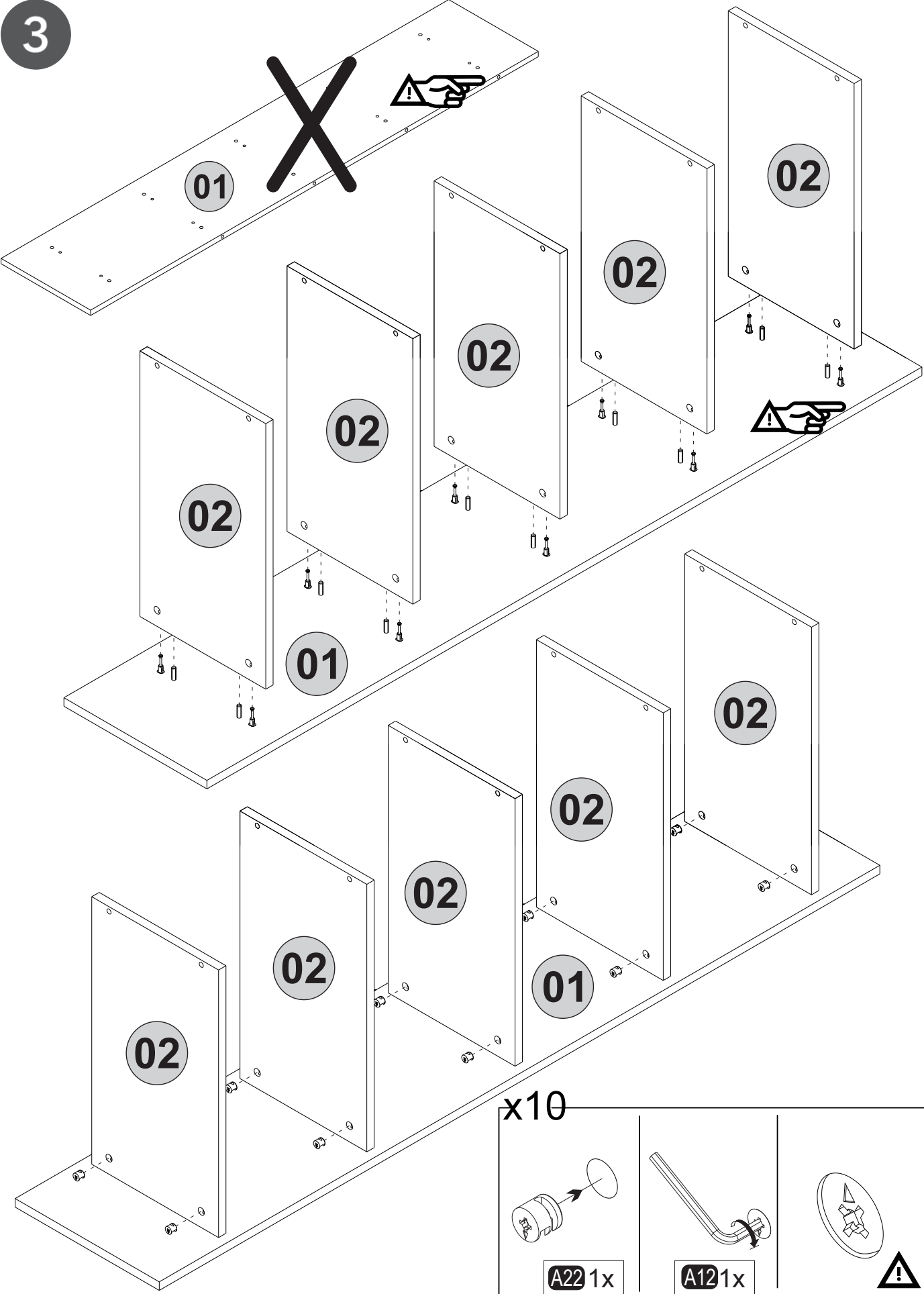
**1**  
**x5**



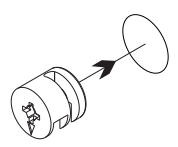
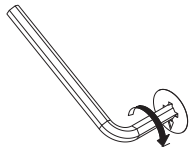
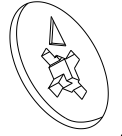
**2**



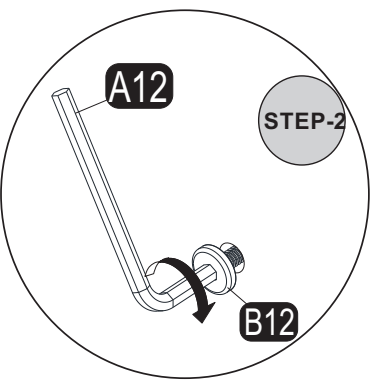
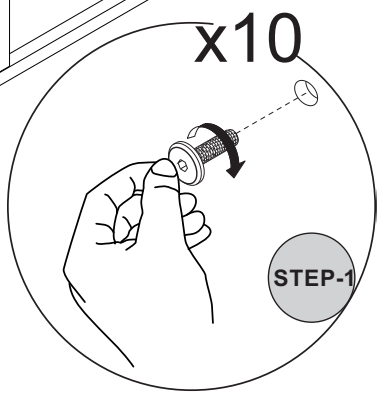
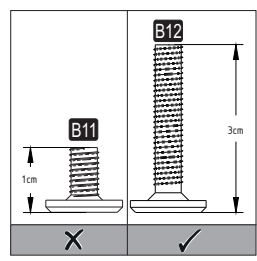
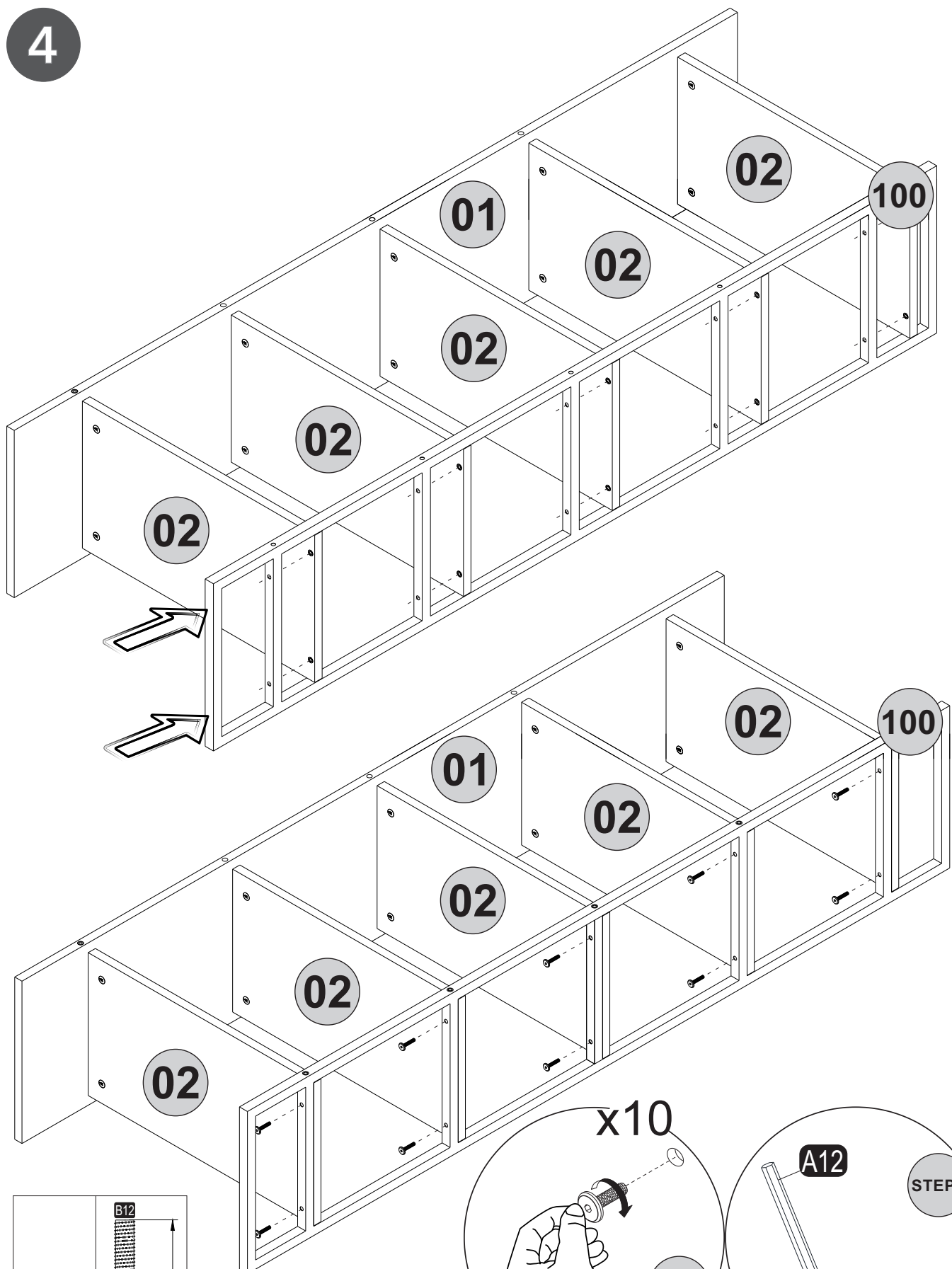
3



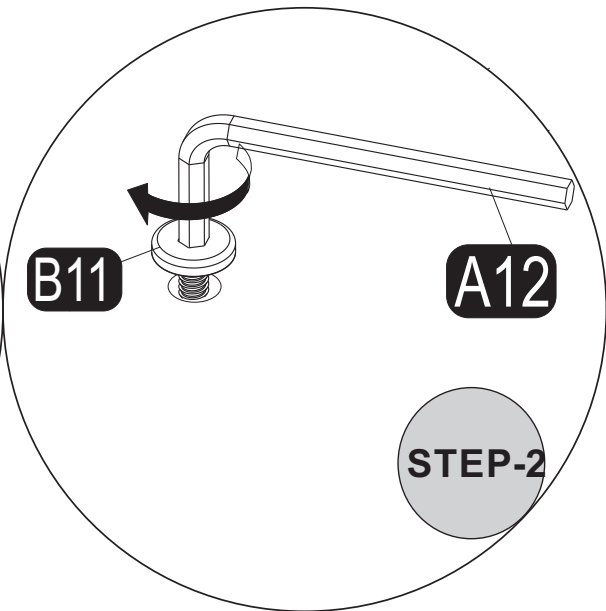
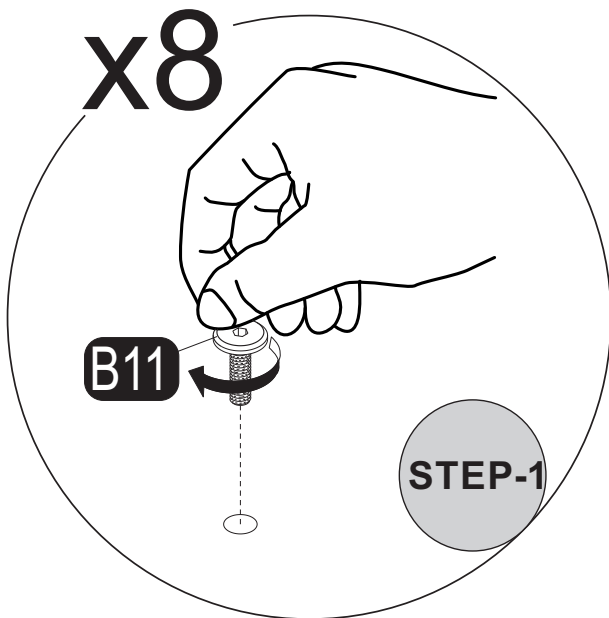
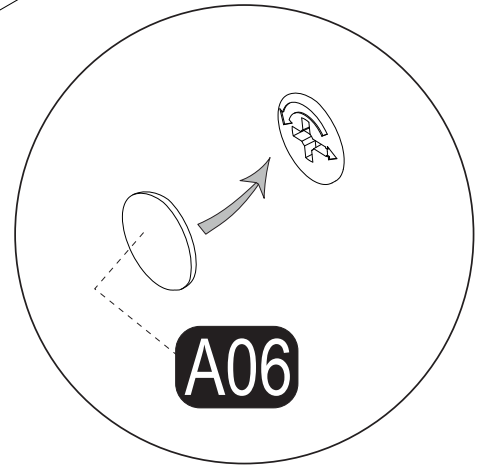
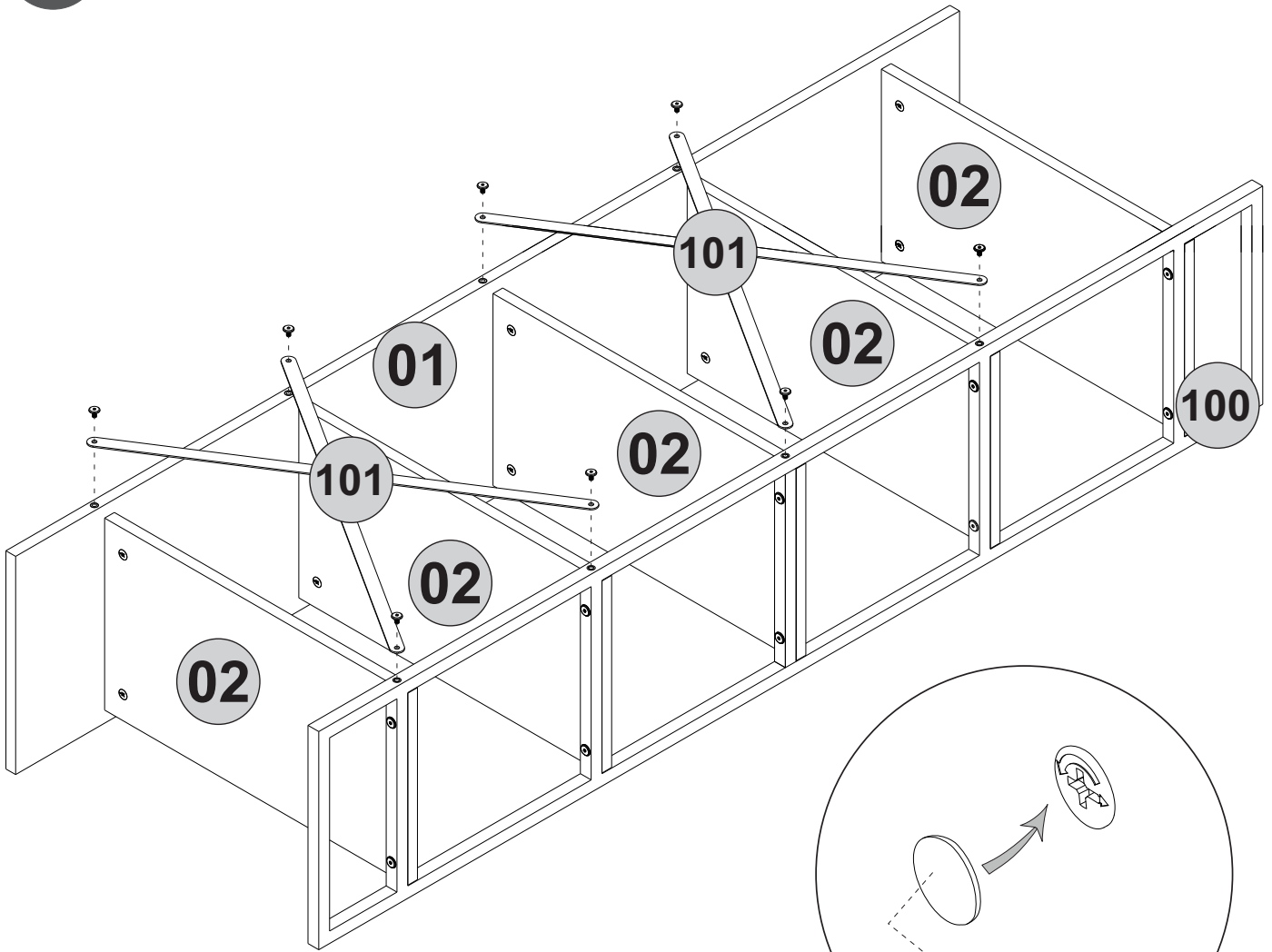
x10

 A22 1x	 A12 1x	 !
--	---	--

4



5



6

