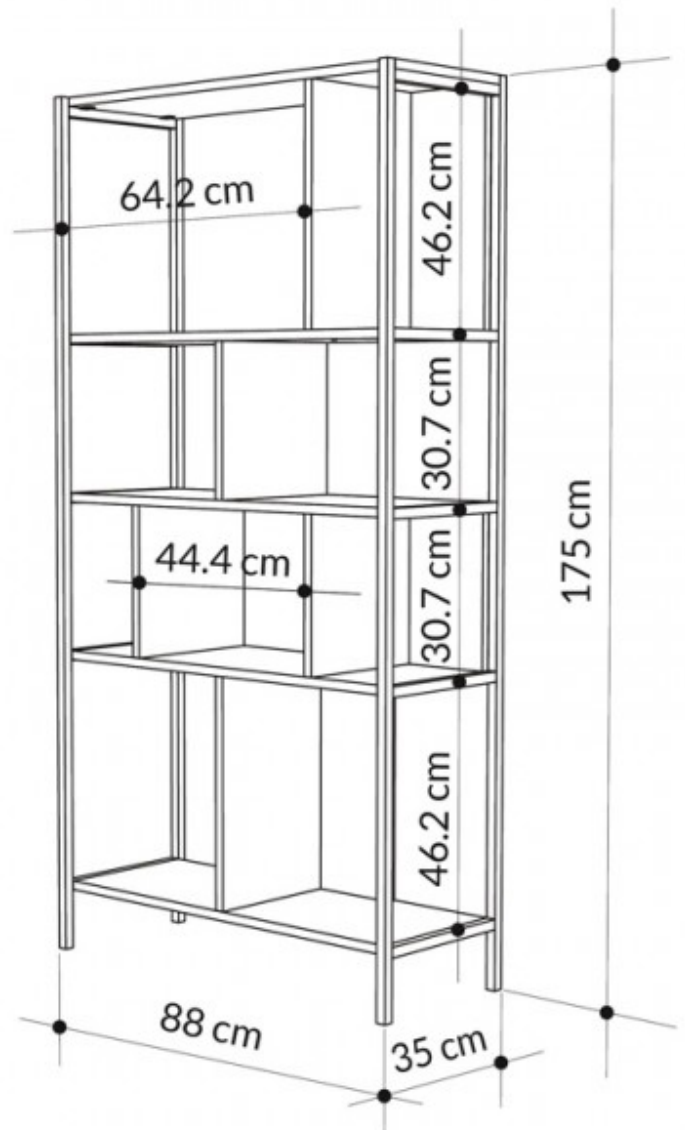
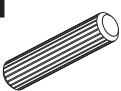







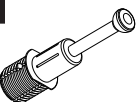

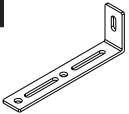
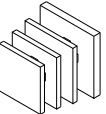
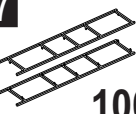
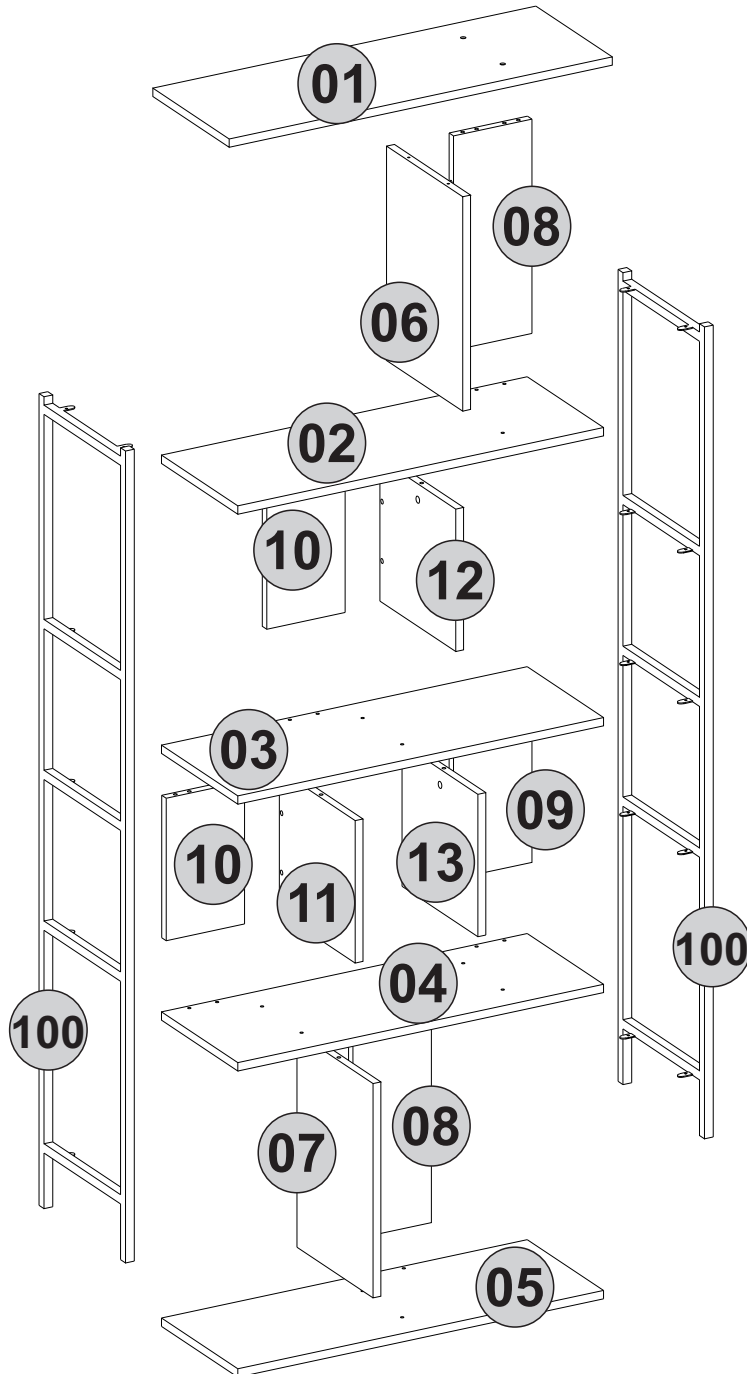


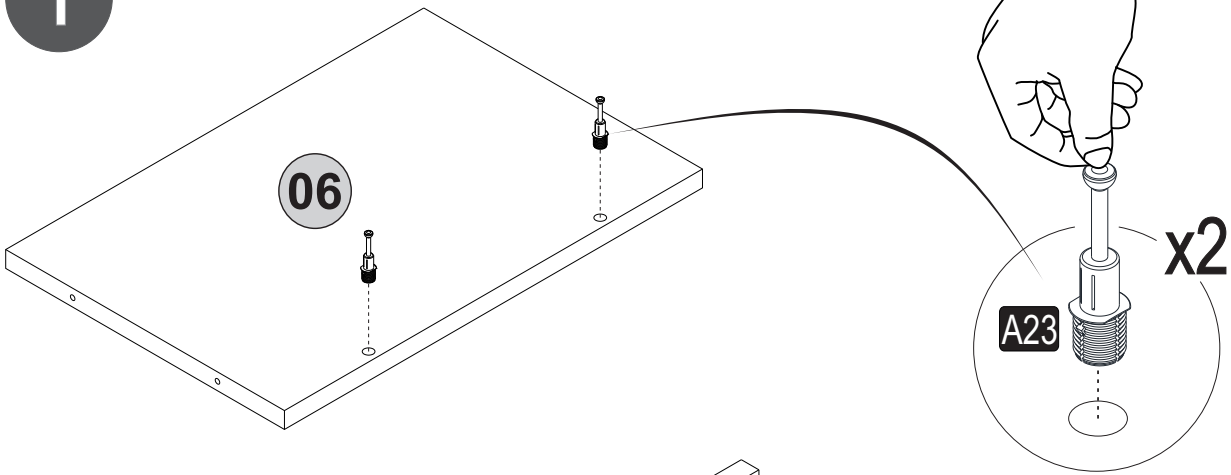
**i** GP037-0231,1



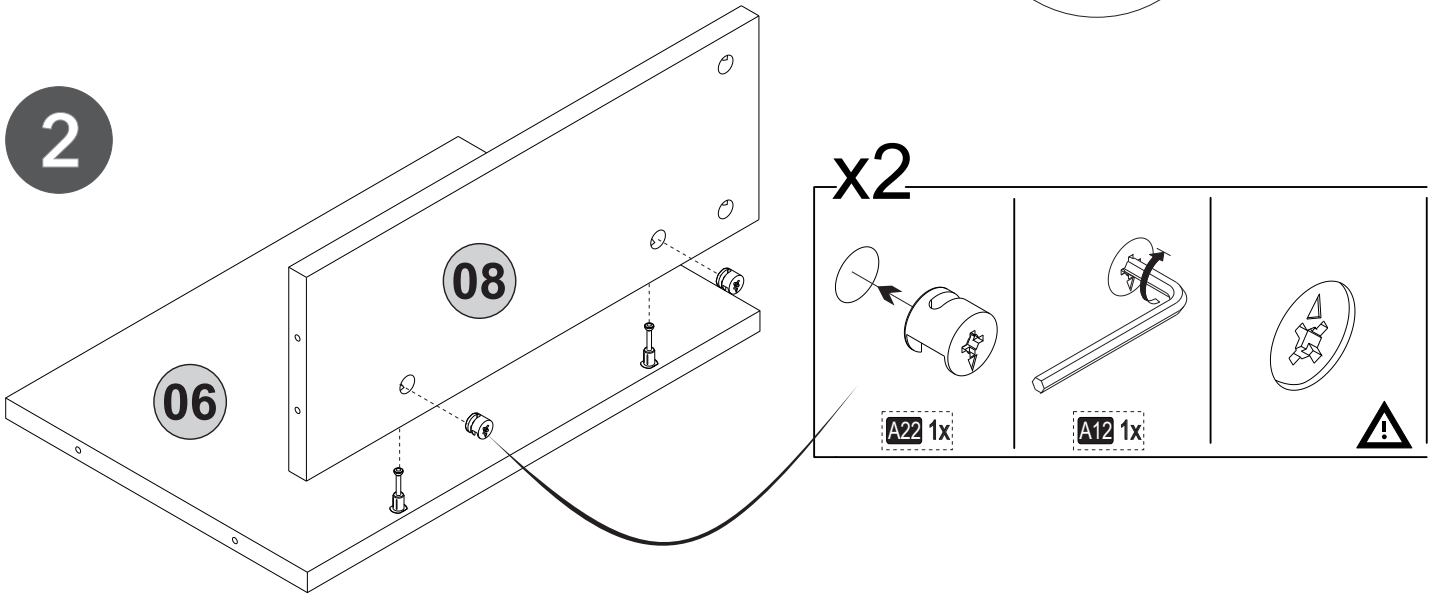
<b>A04</b> Ø8x30  10x	<b>A06</b> 18mm  C1-22x C2-24x	<b>A12</b> Allen  1x	<b>A13</b> 50mm  22x	<b>A16</b> DbØ8  1x
<b>A17</b> 4X50  1x	<b>A18</b> 3,5x18  2x	<b>A22</b> Minifix k18  24x	<b>A23</b> Minifix M10  24x	<b>A50</b> 3,5x16 (Black)  20x
<b>A87</b> 15x90x30  1x	<b>Z27</b> 20x20x18  4x	<b>Z127</b> KM  100-2x		



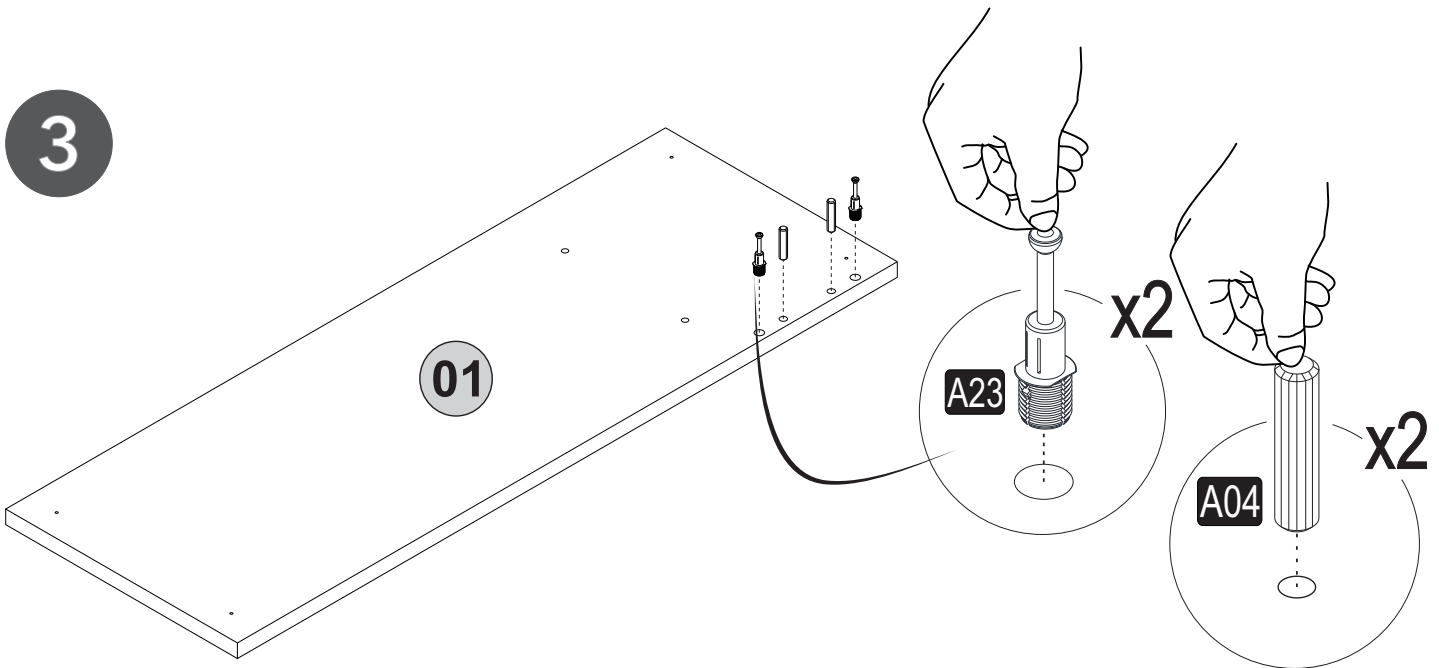
1



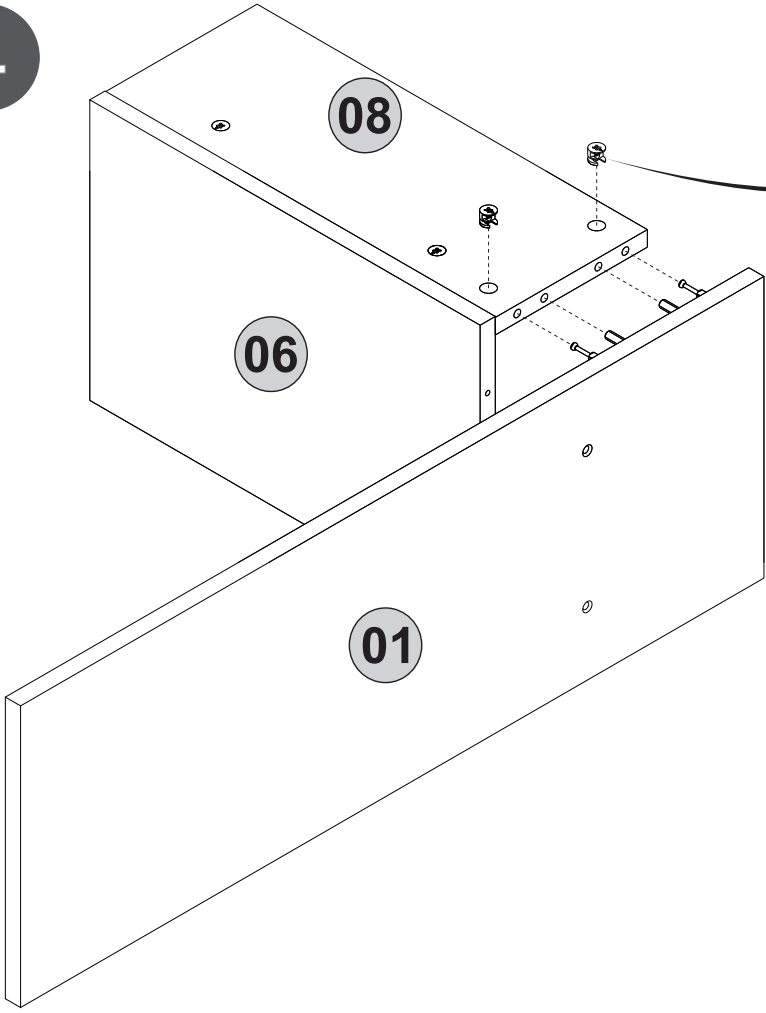
2



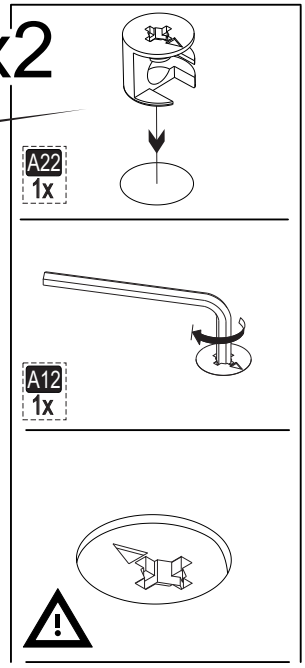
3



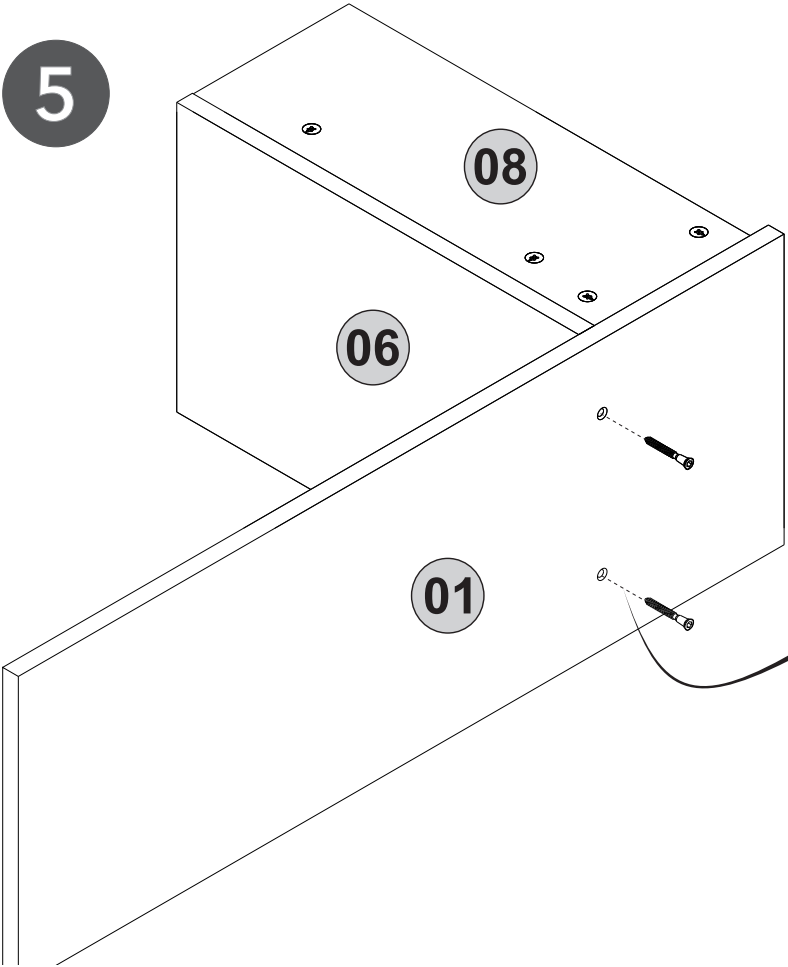
4



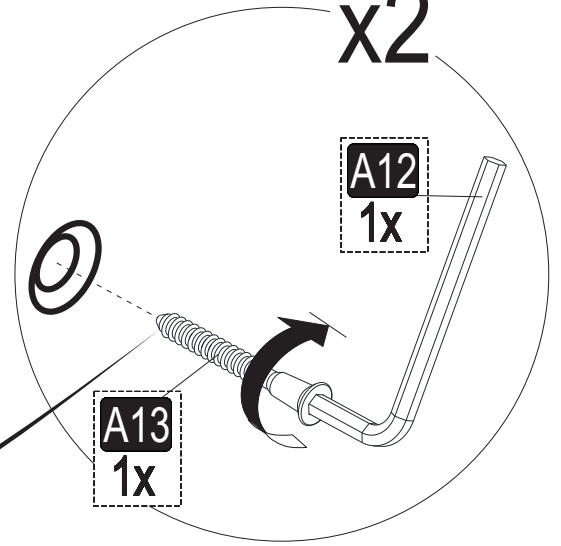
x2



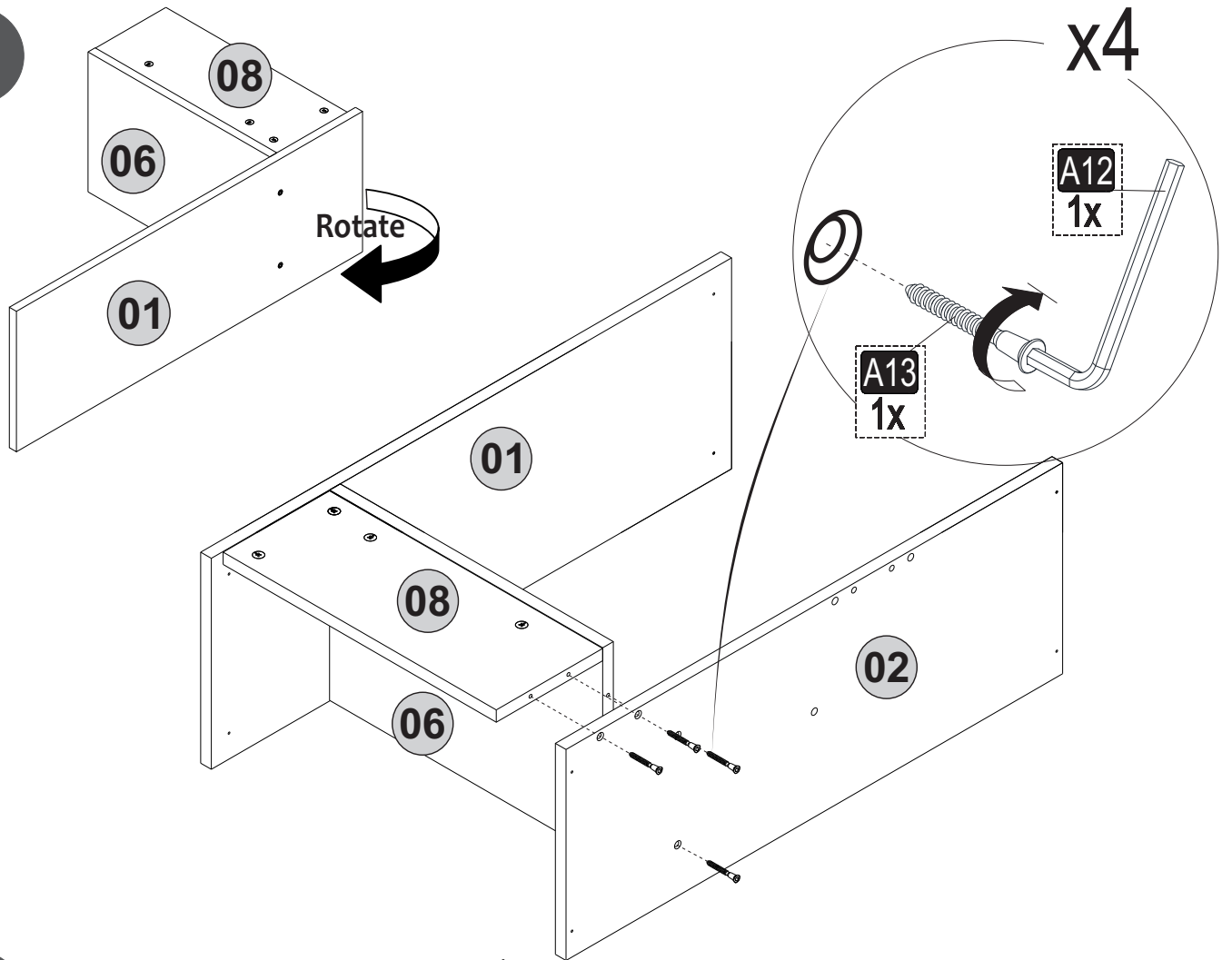
5



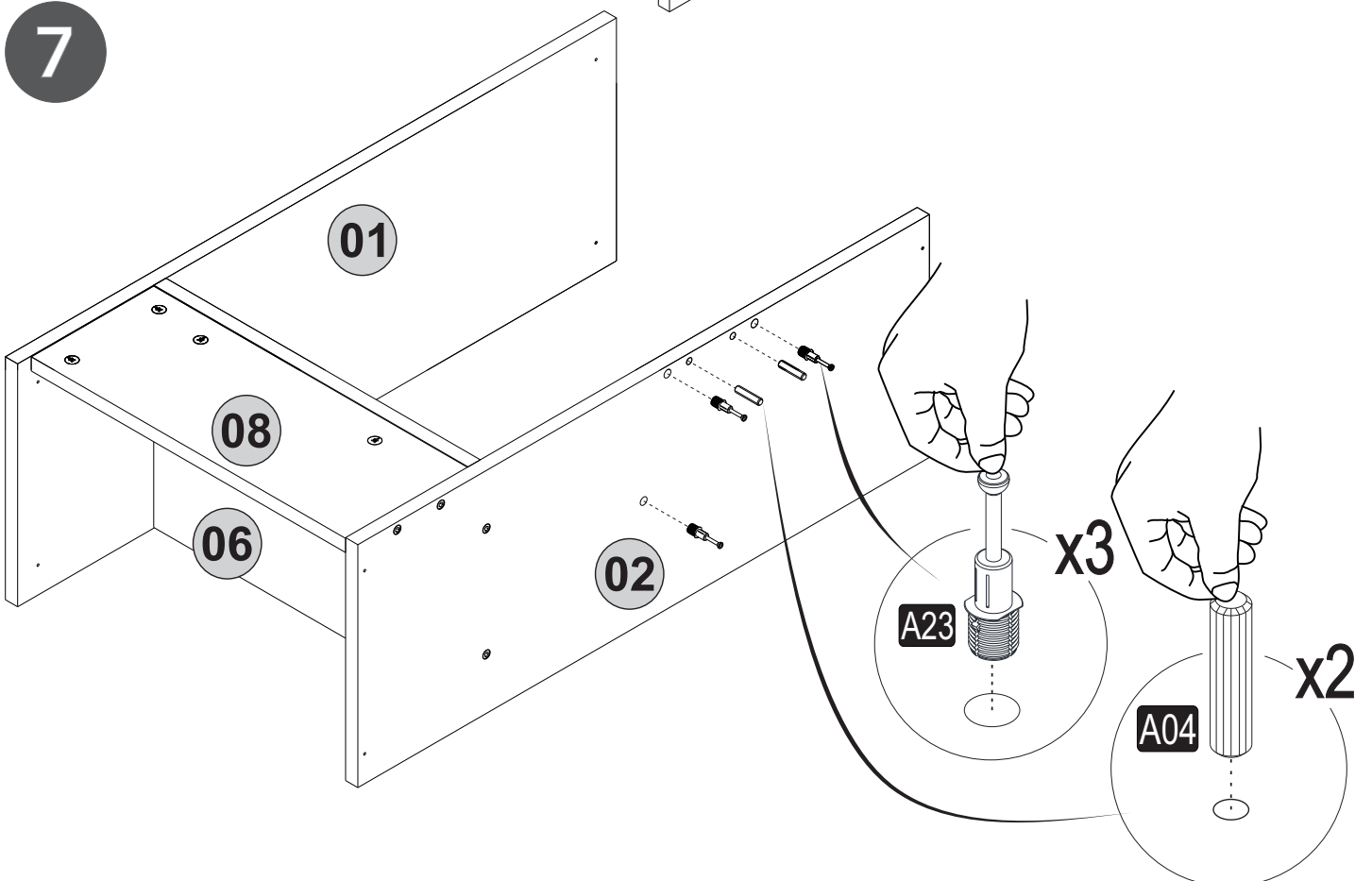
x2



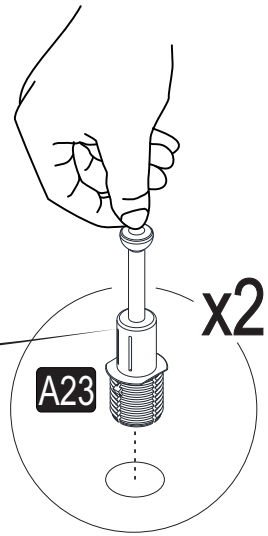
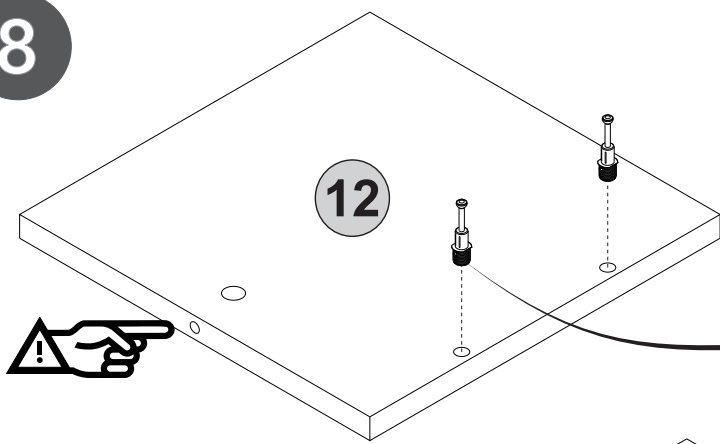
6



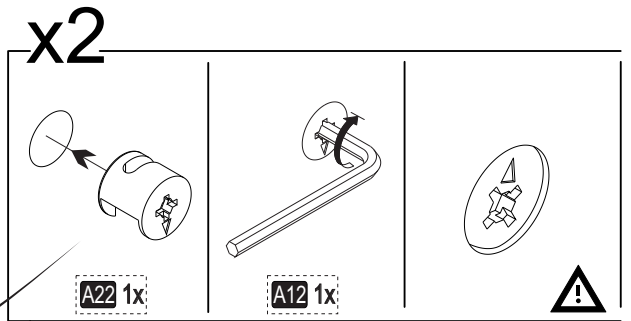
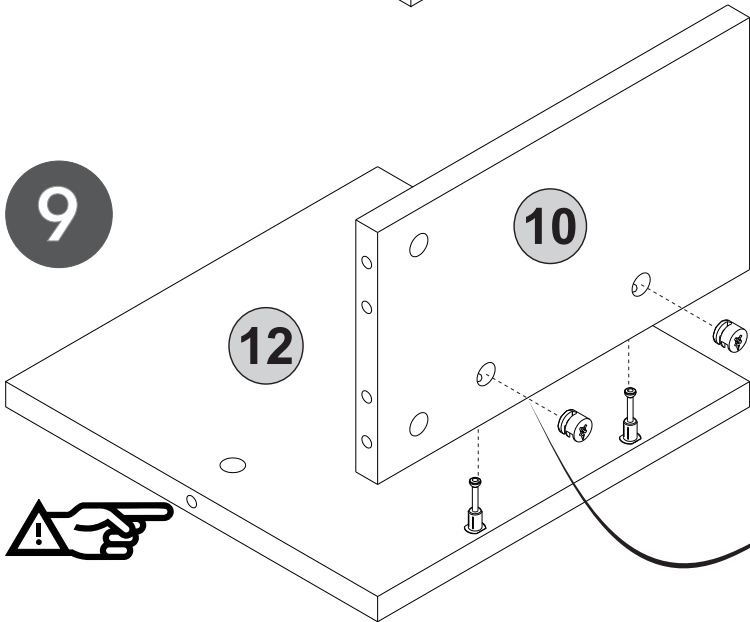
7



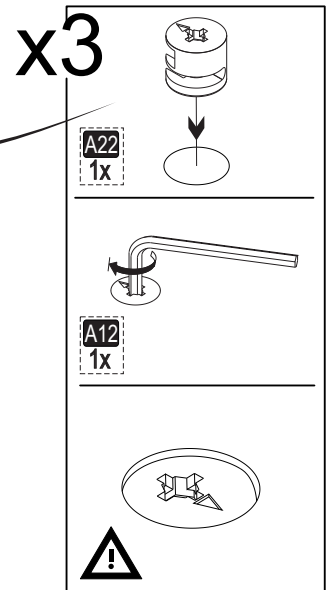
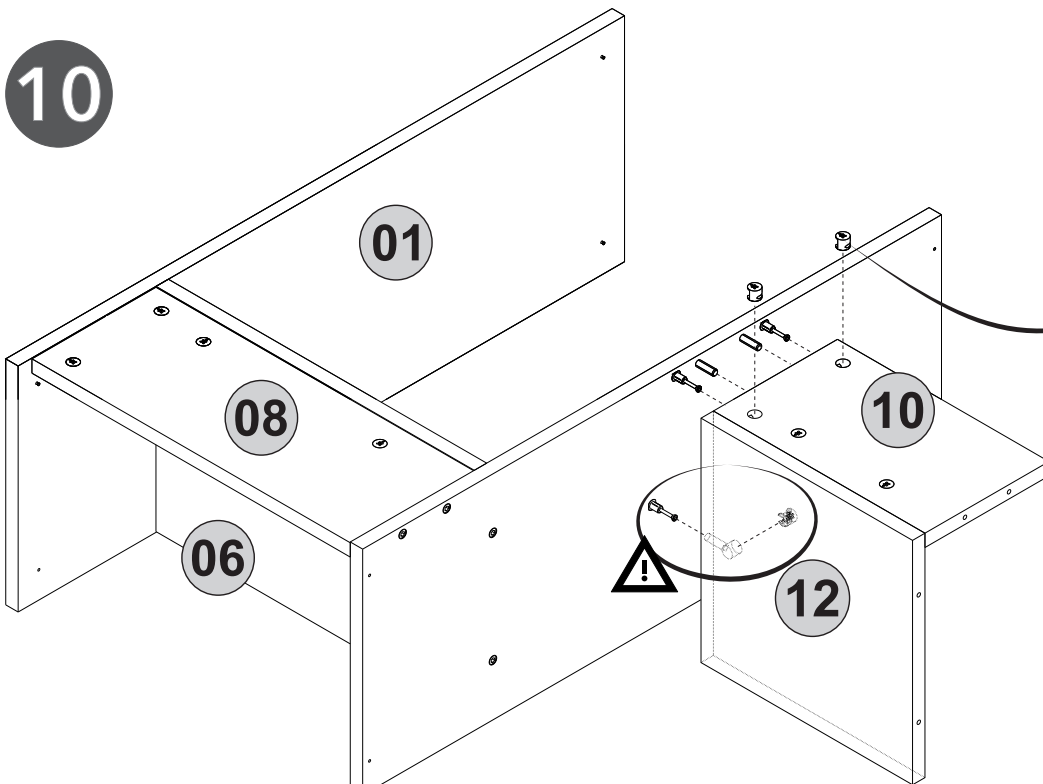
8



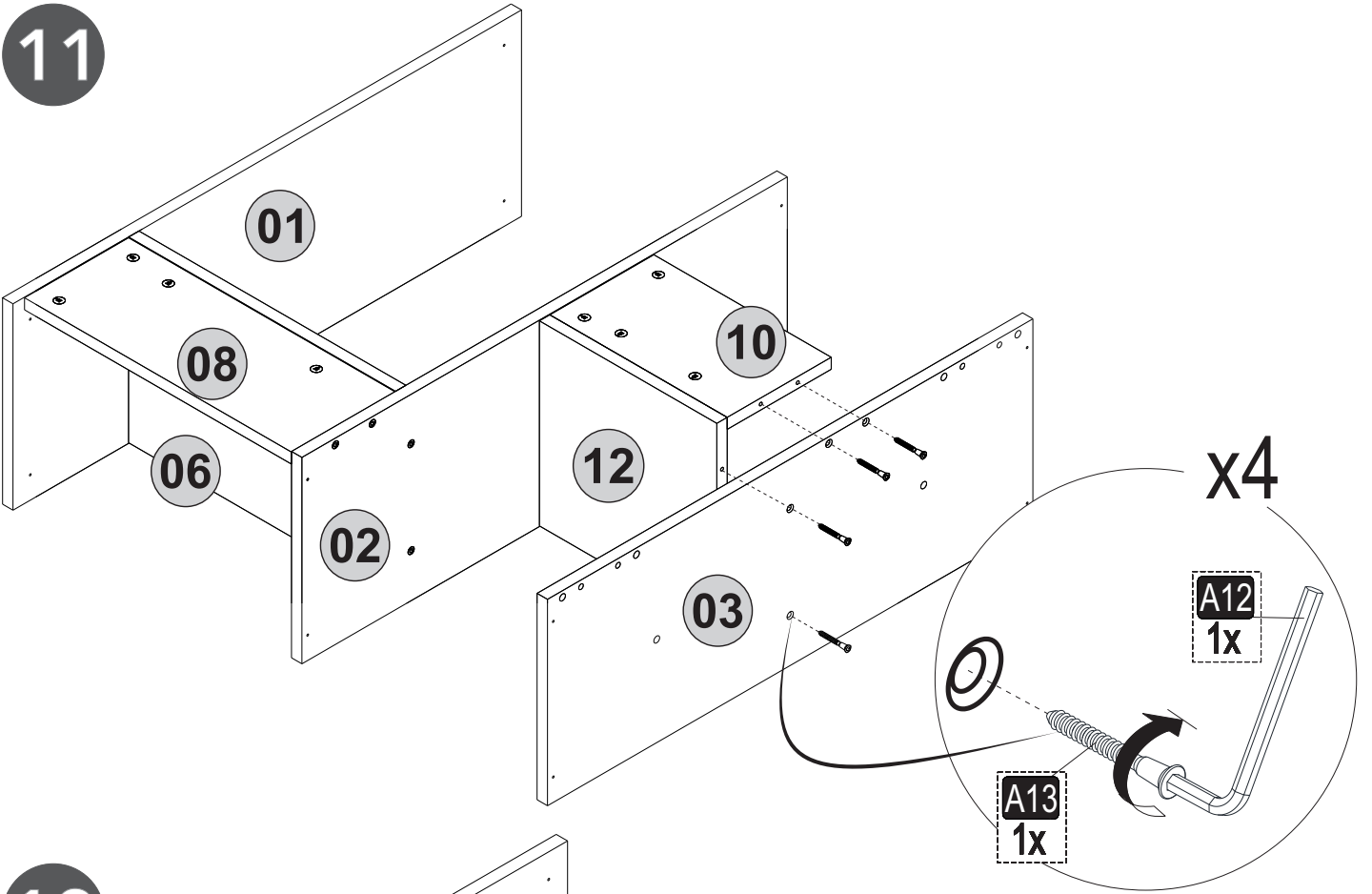
9



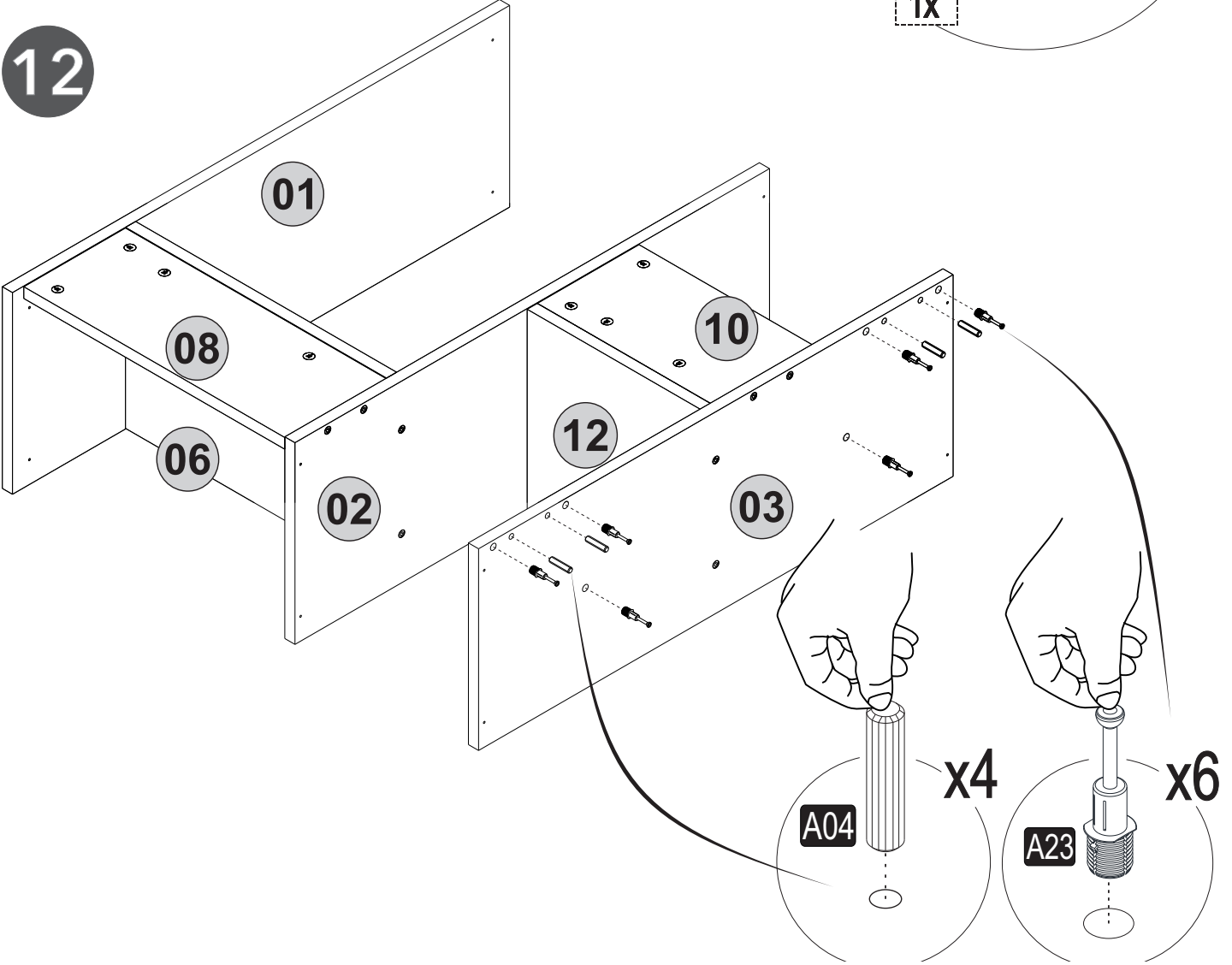
10



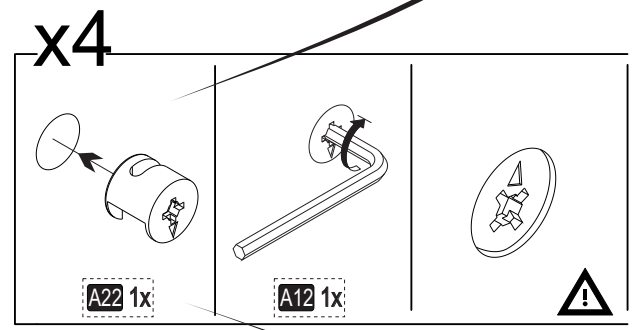
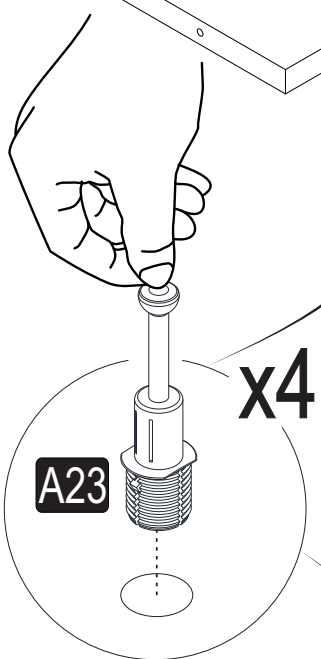
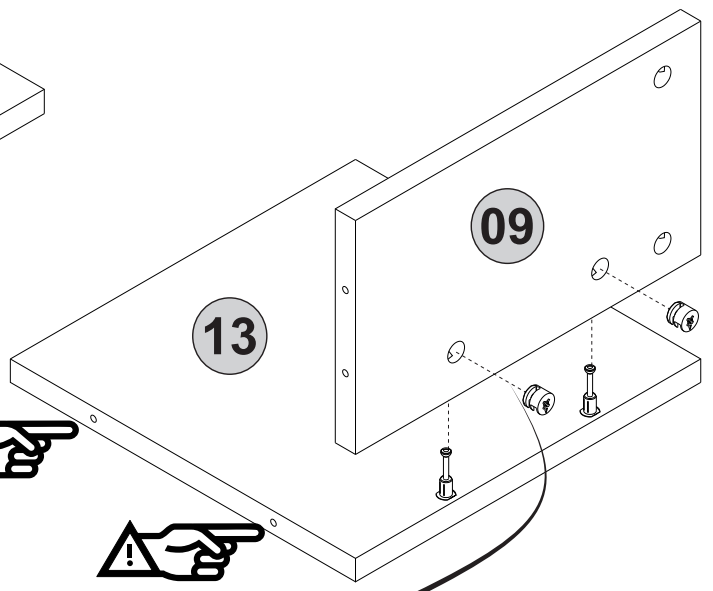
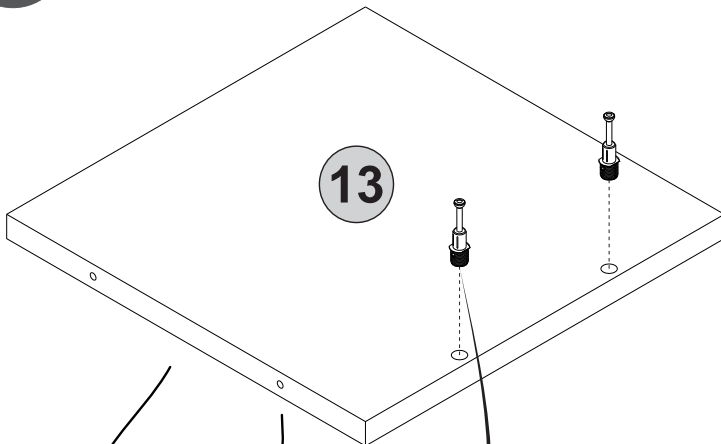
11



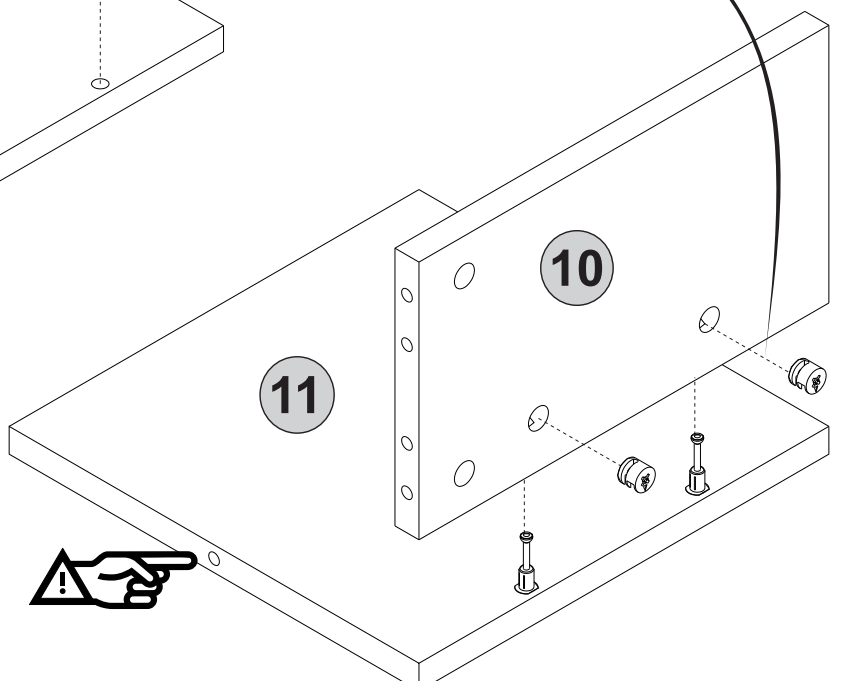
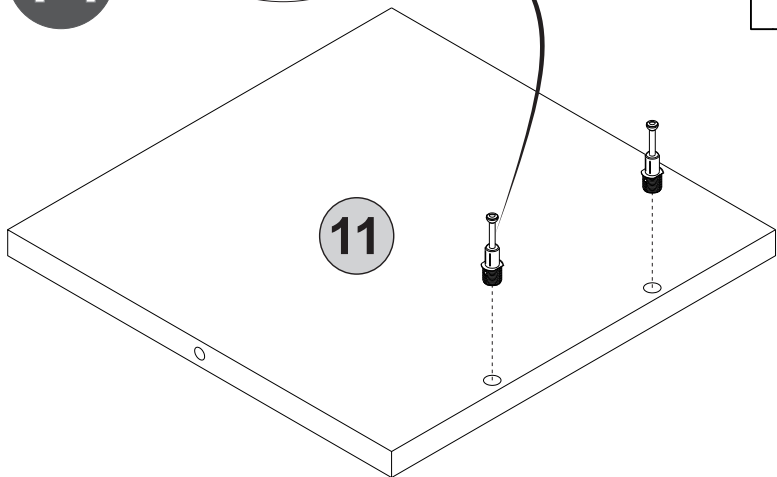
12



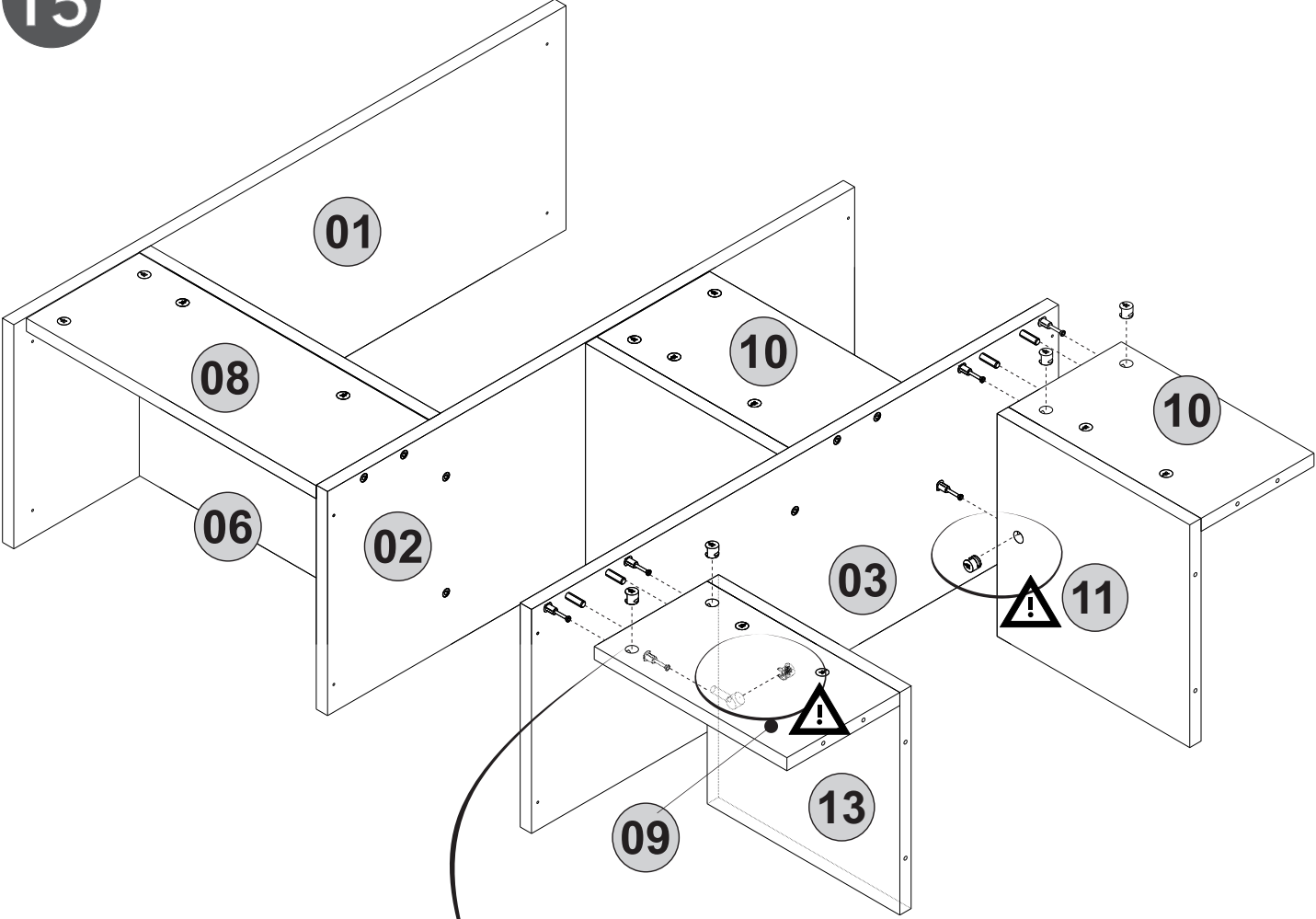
13



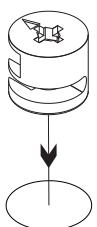

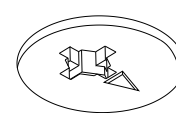

14



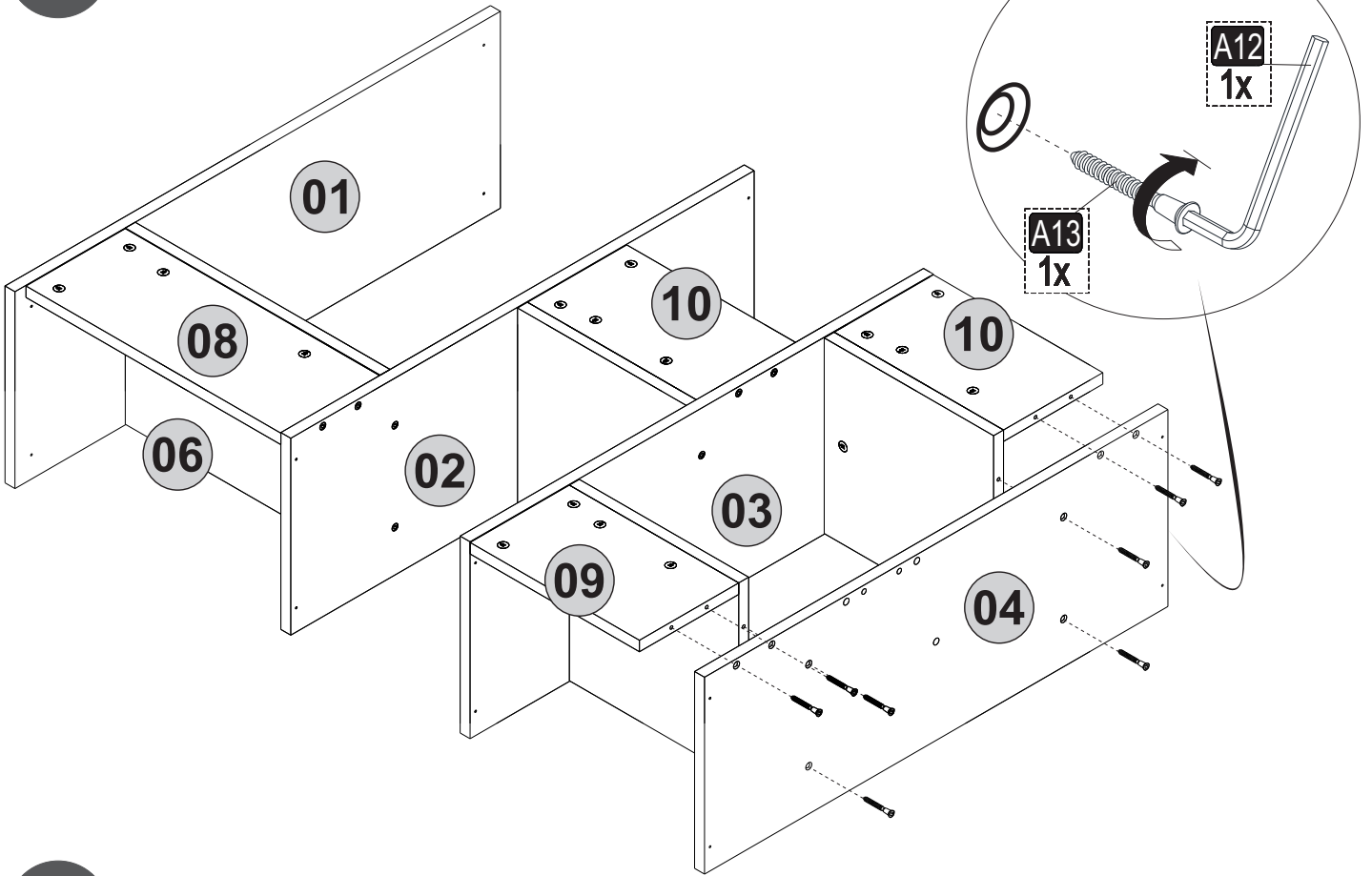
15



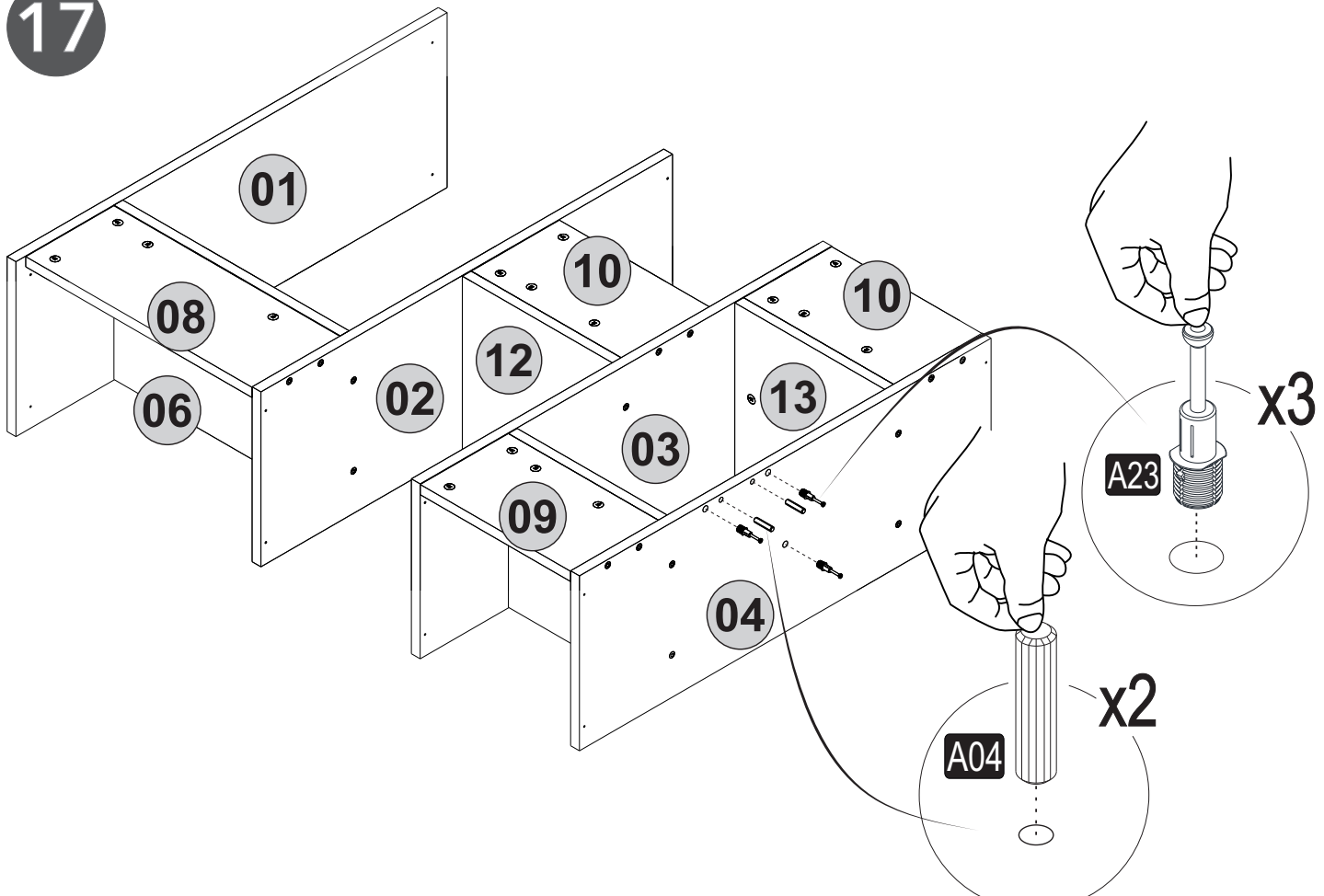
x6

 <p>A22 1x</p>	 <p>A12 1x</p>	 
---	--	---

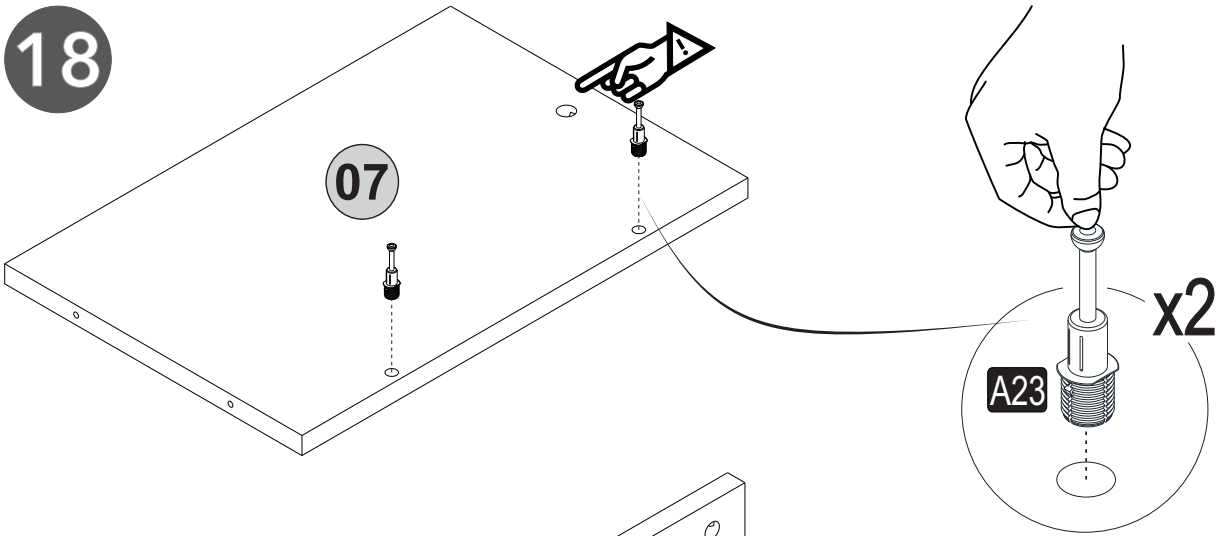
16



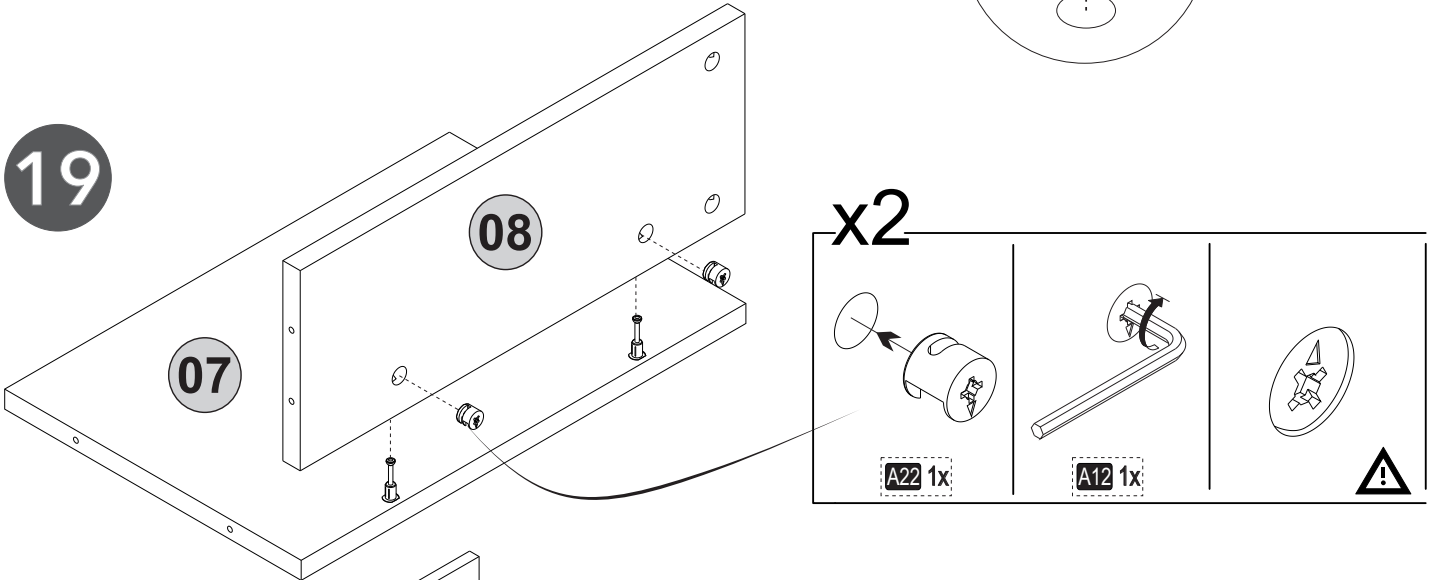
17



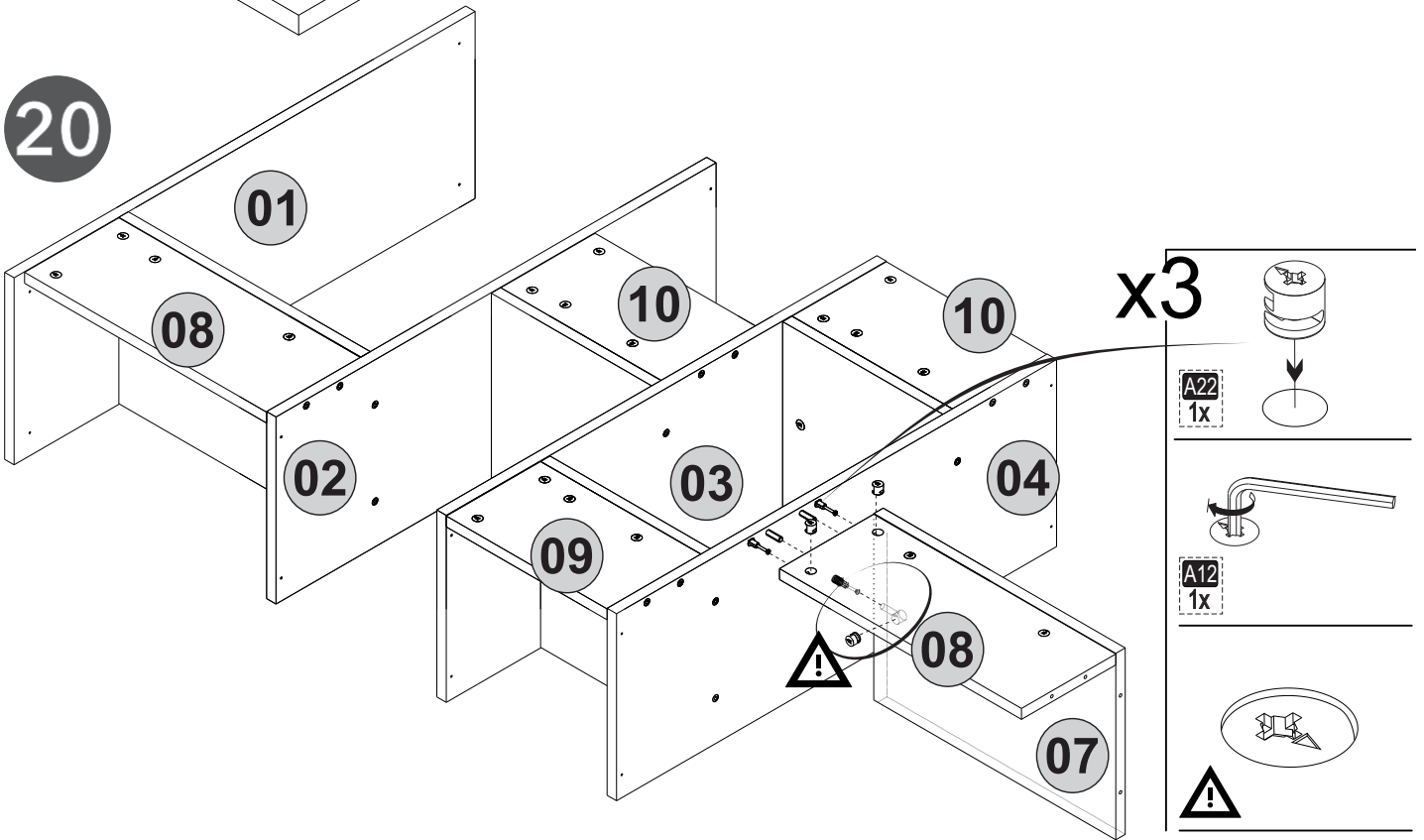
18



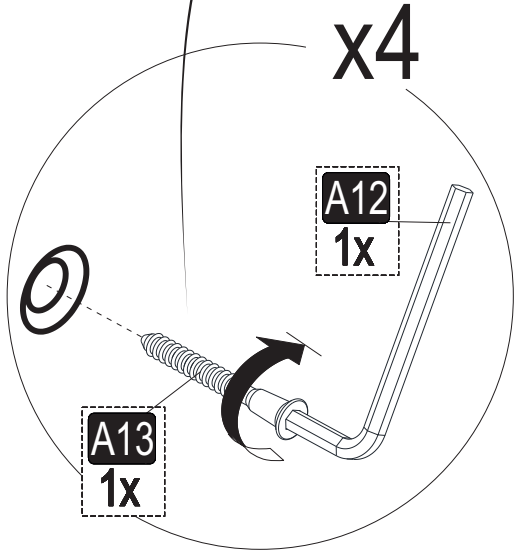
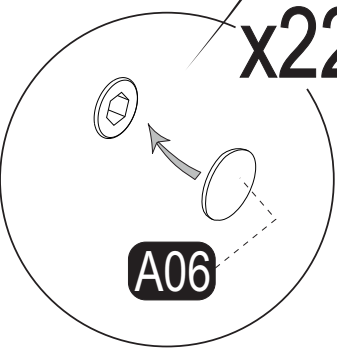
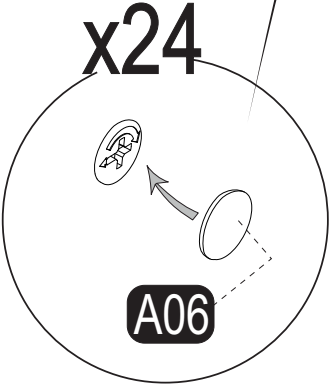
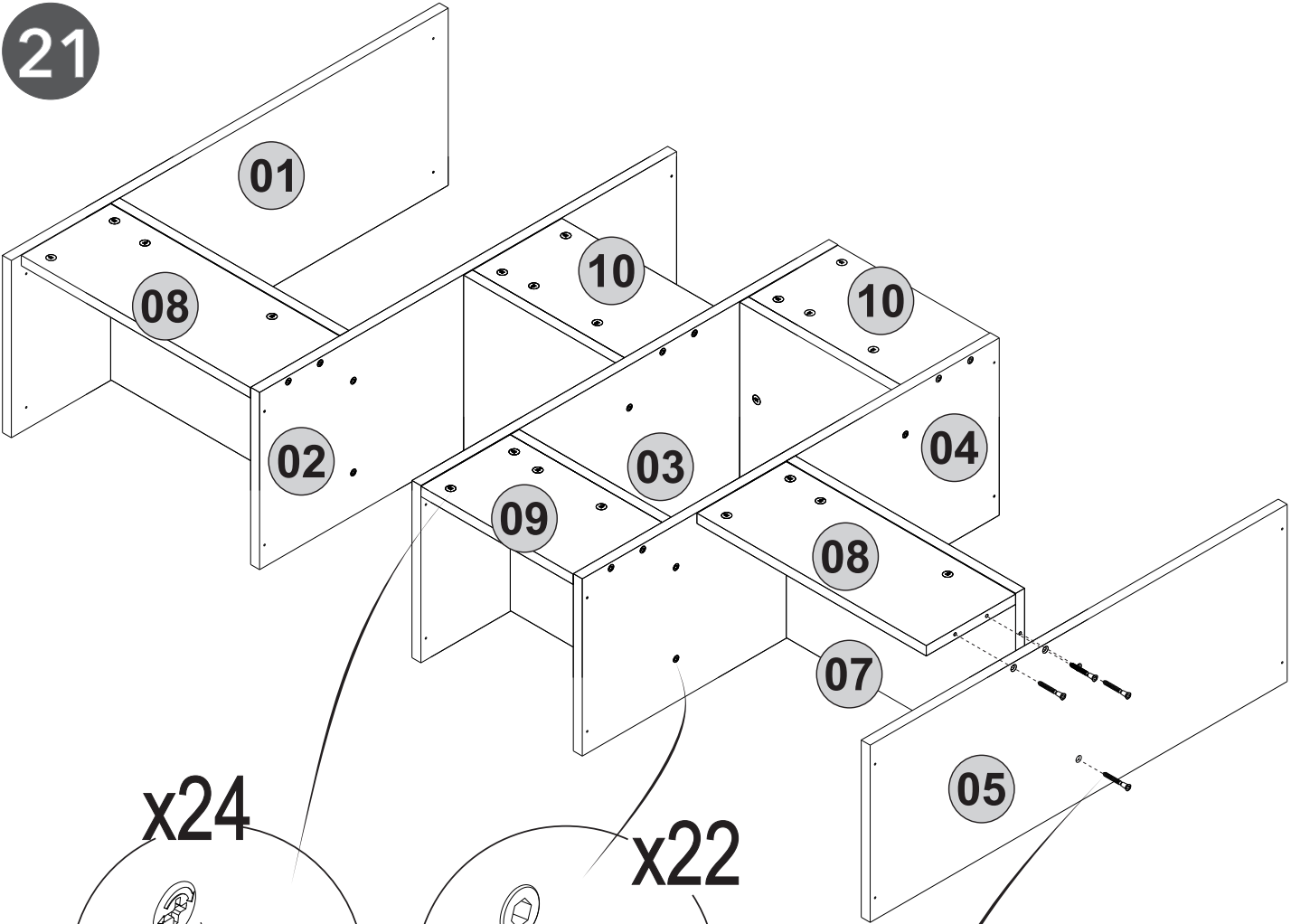
19



20



21



22

