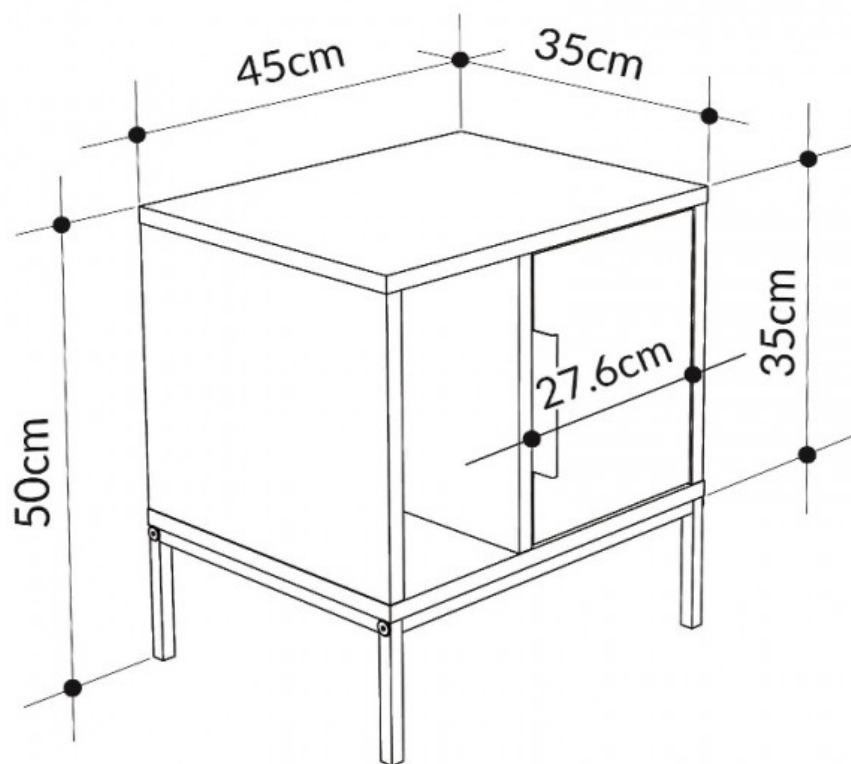
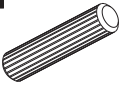



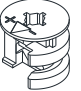
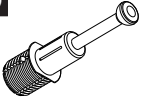
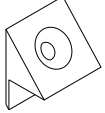
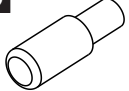



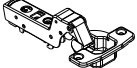
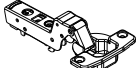

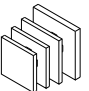
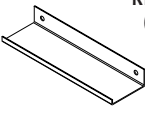

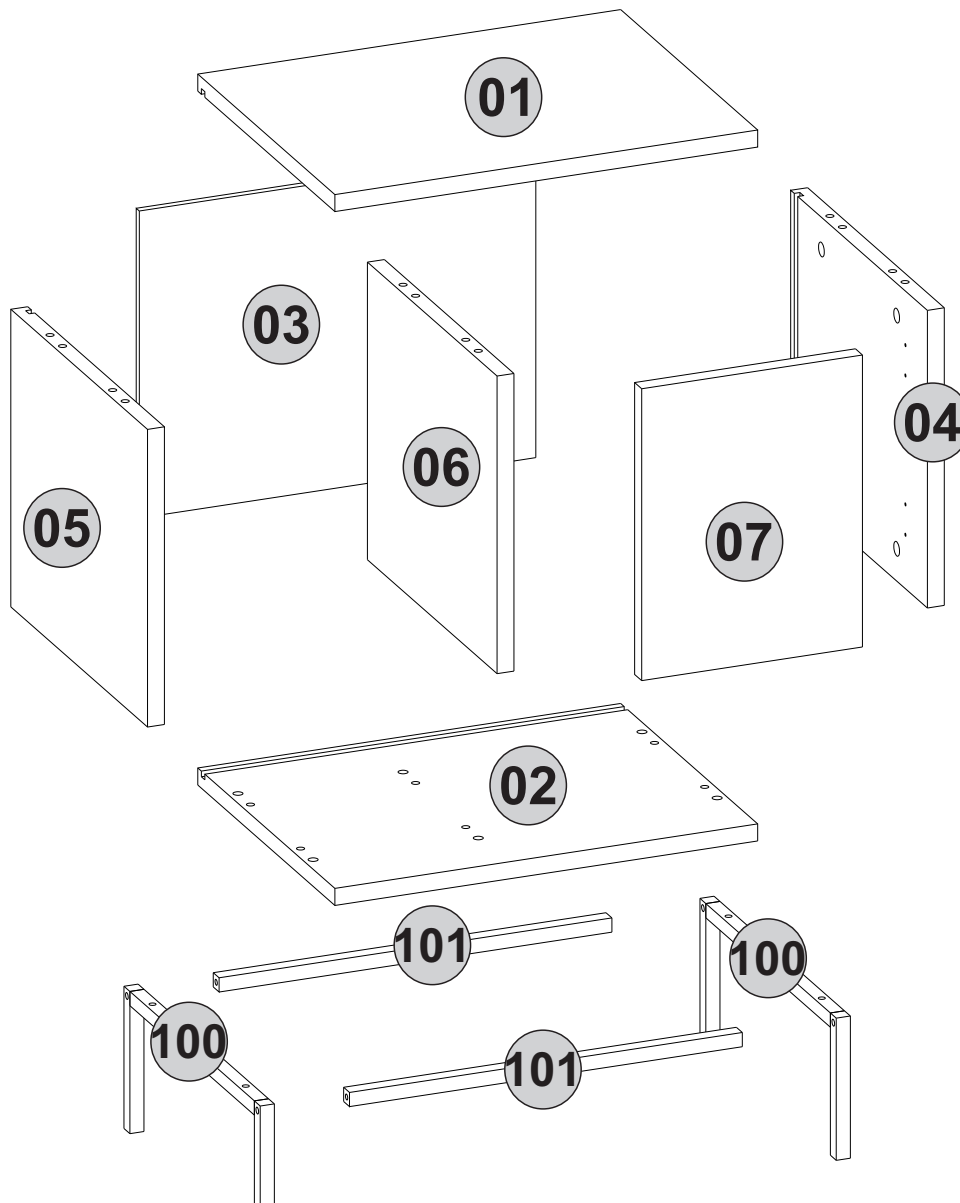


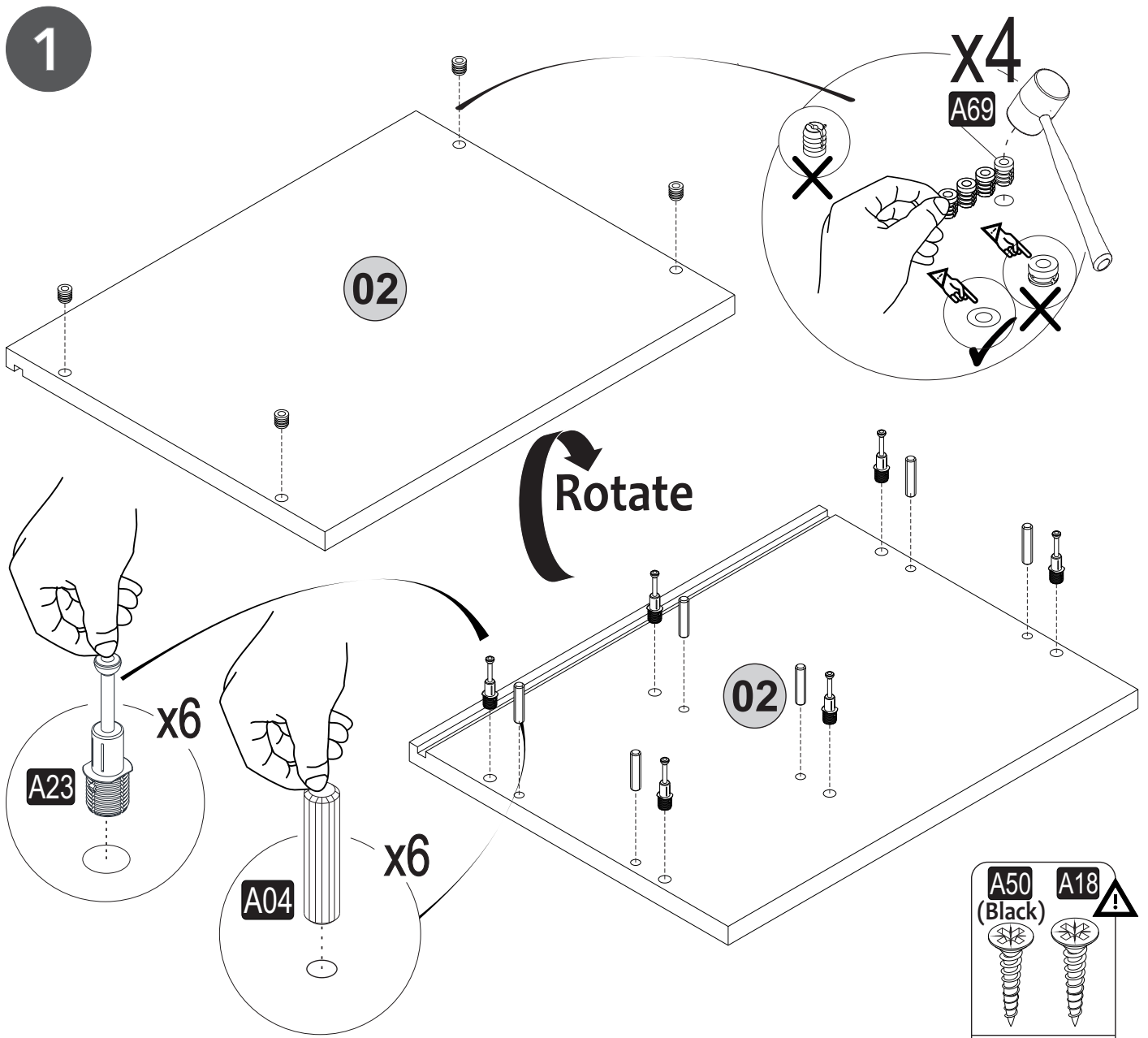
**i** GP037-0233,1



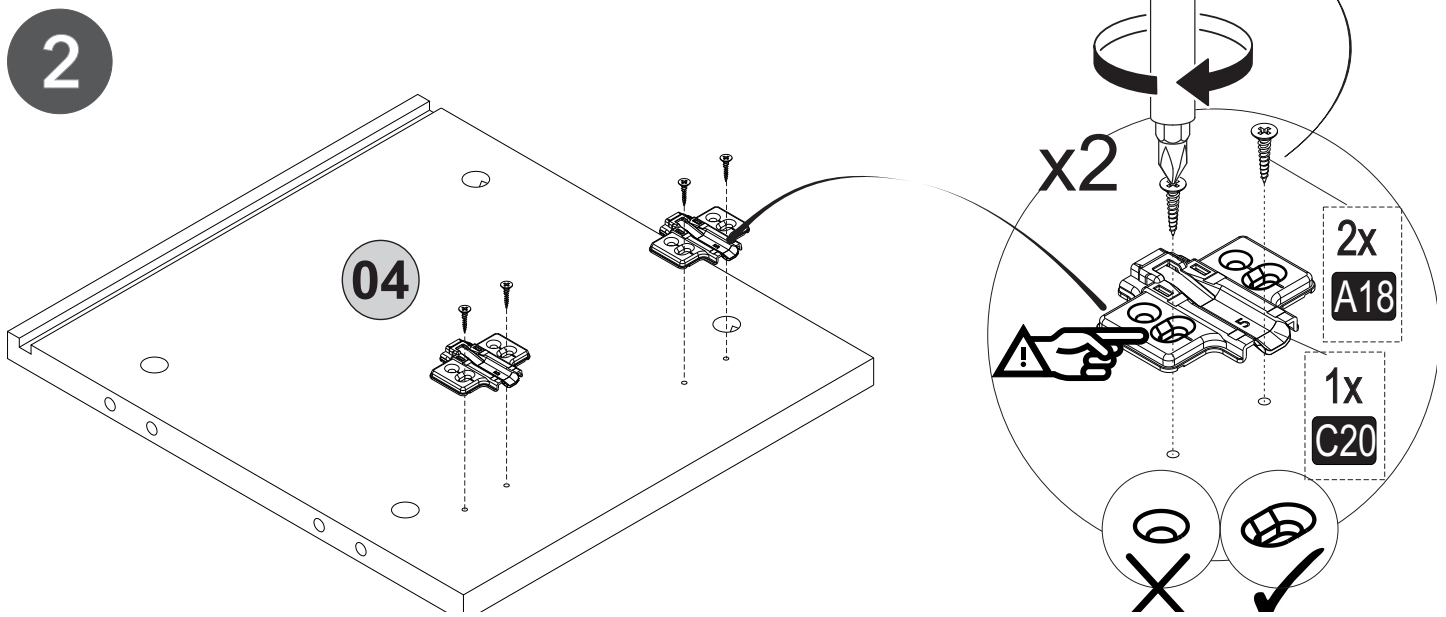
<b>A04</b> Ø8x30  12x	<b>A06</b> 18mm  12x	<b>A12</b> Allen  1x	<b>A18</b> 3,5x18  16x	<b>A22</b> Minifix k18  12x
<b>A23</b> Minifix M10  12x	<b>A25</b> ARK.PL  4x	<b>A48</b> Raf Pimi  1x	<b>A50</b> 3,5x16 (Black)  2x	<b>A69</b> P.D.  4x
<b>B13</b> 25 (black)mm  8x	<b>C16</b> Sdb(S)  1x	<b>C19</b> SdbF(S)  1x	<b>C20</b> Mtk(S)  2x	<b>Z21</b> 15x15x18  4x
<b>Z51</b> K128mm (black)  1x	<b>Z152</b> G.K.M.T  100-2x 101-2x			



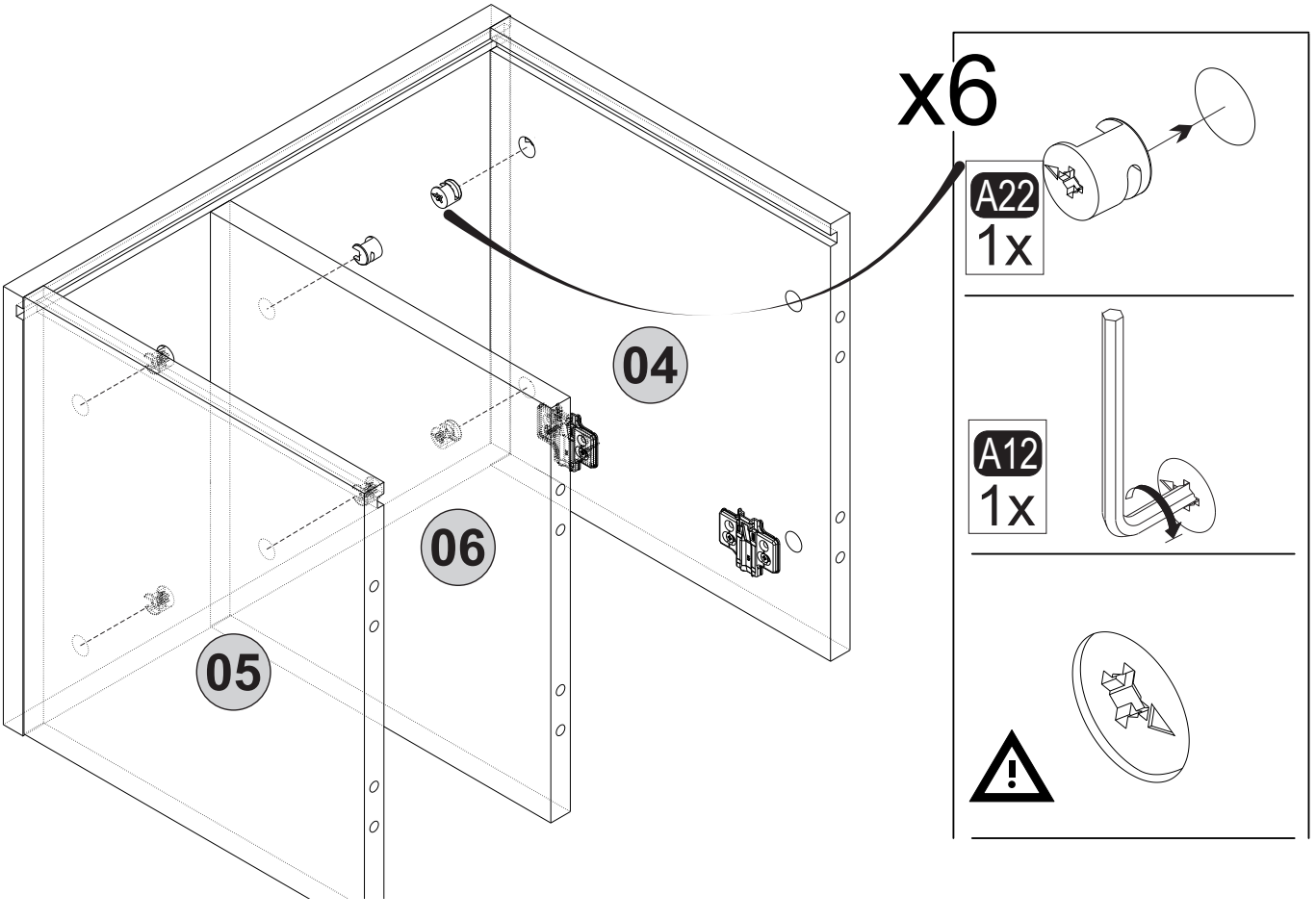
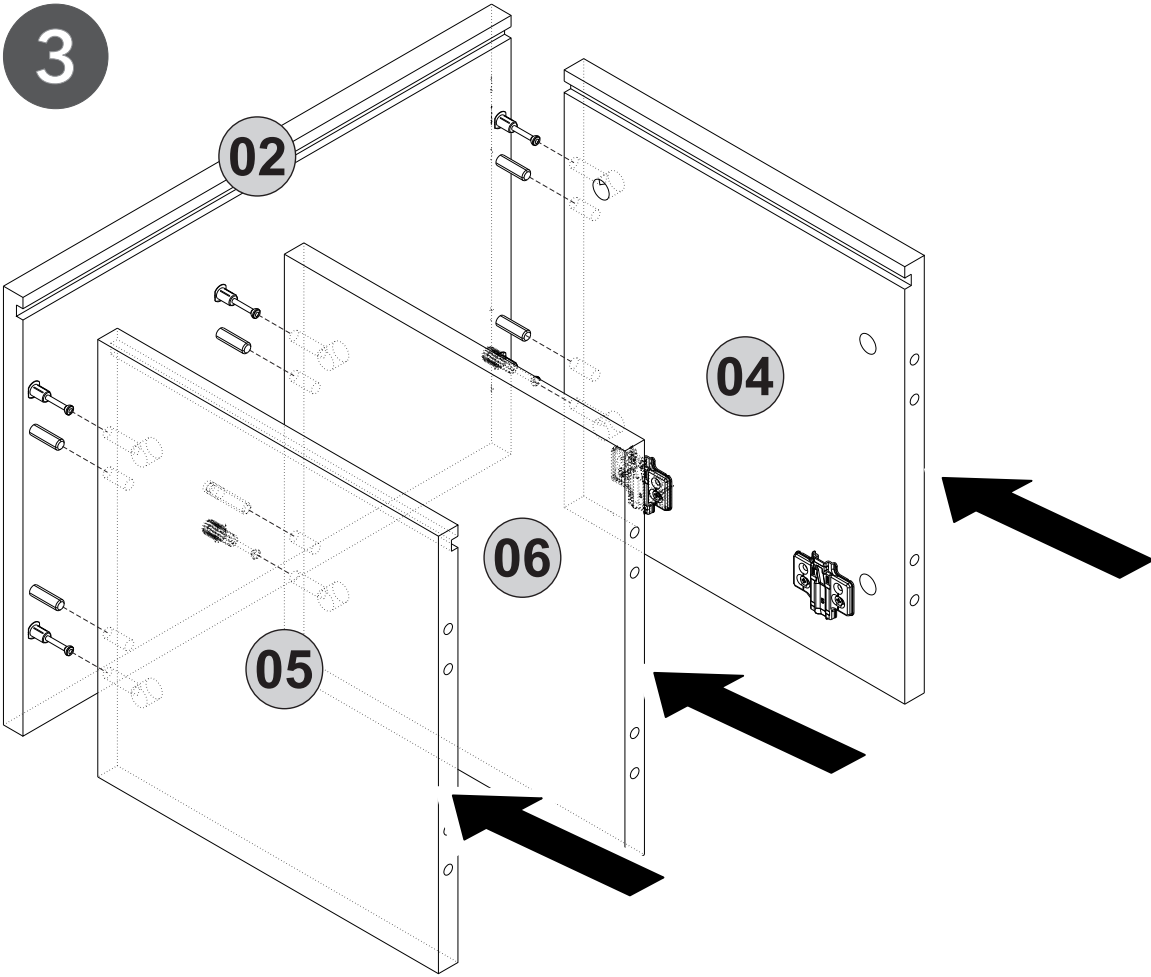
1

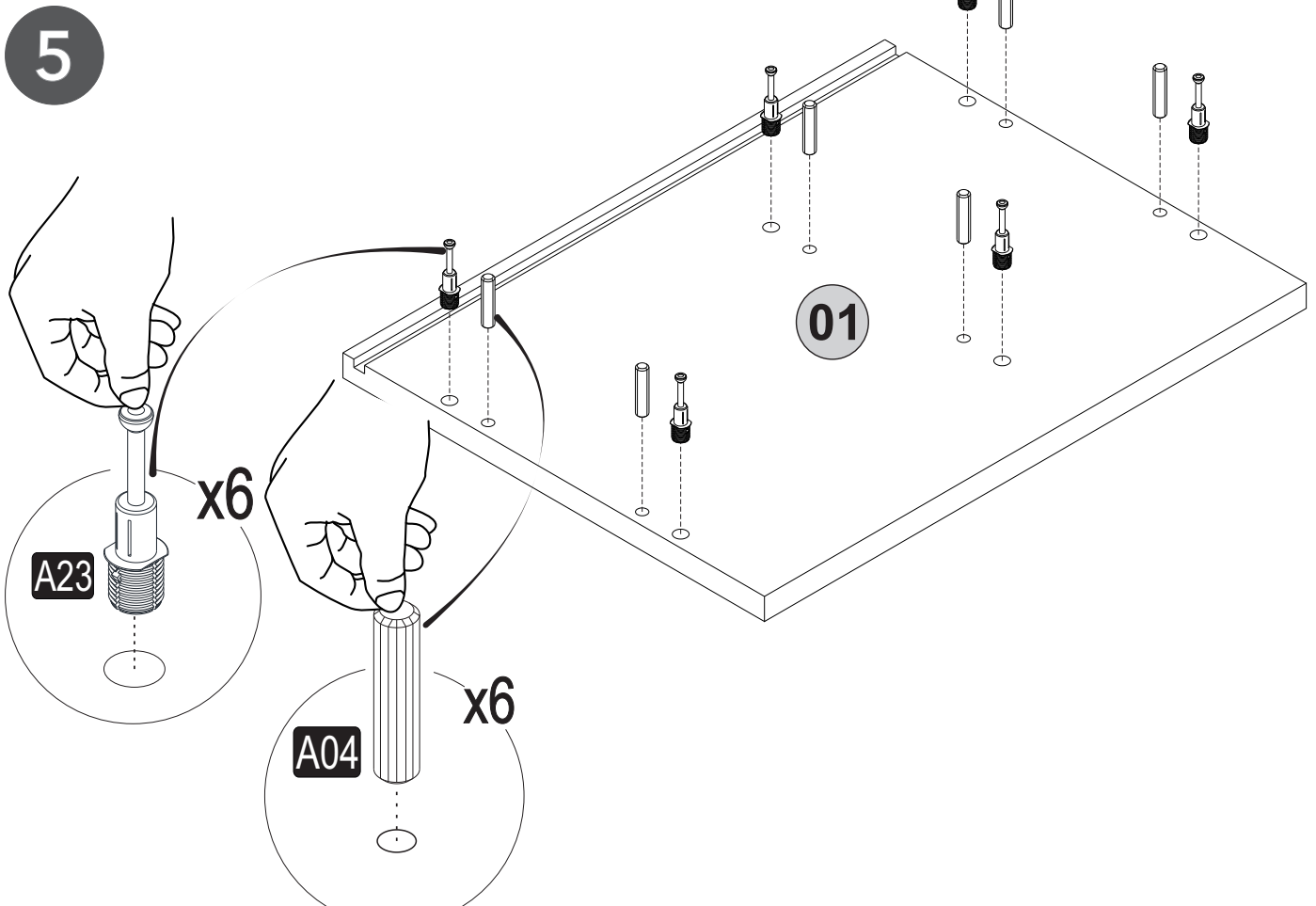
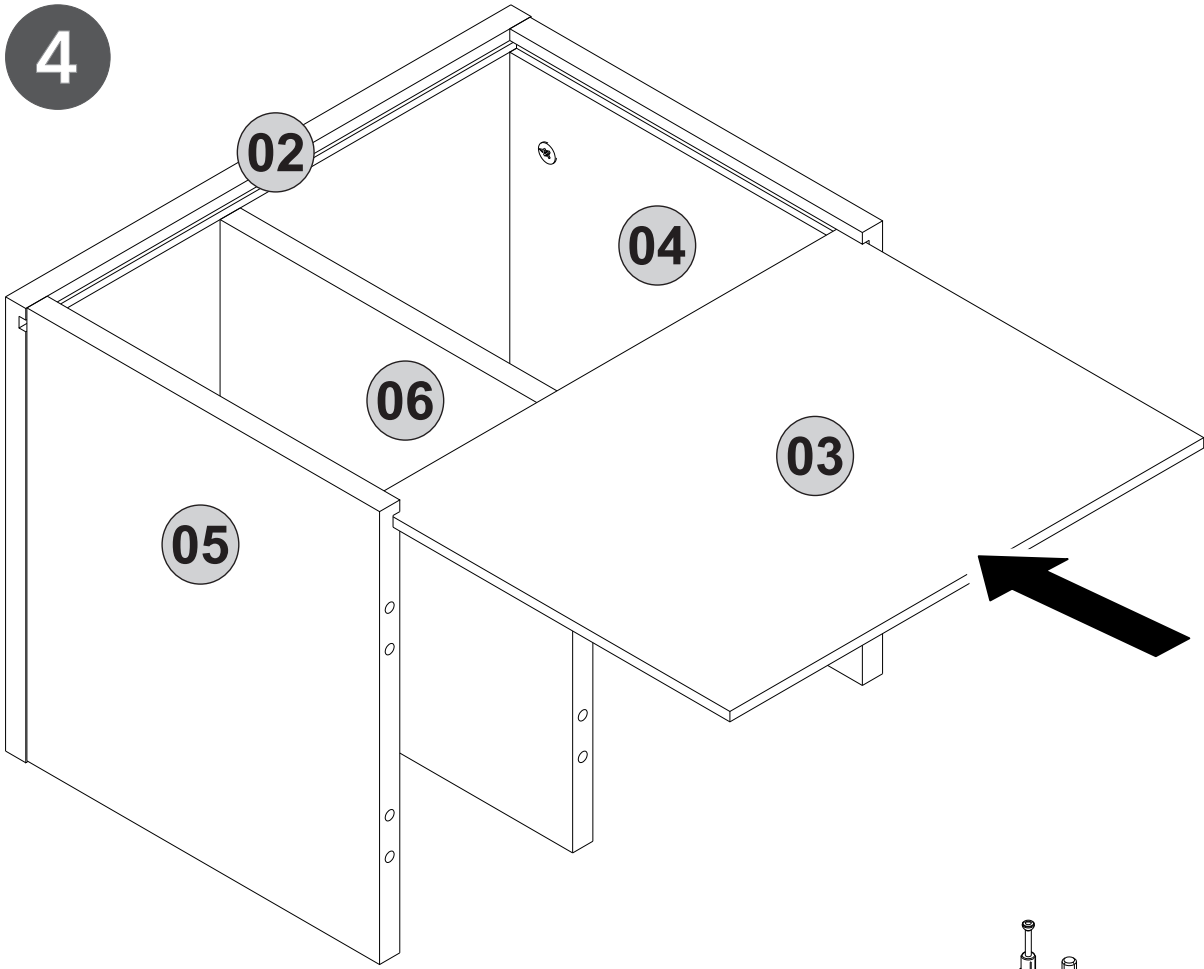


2

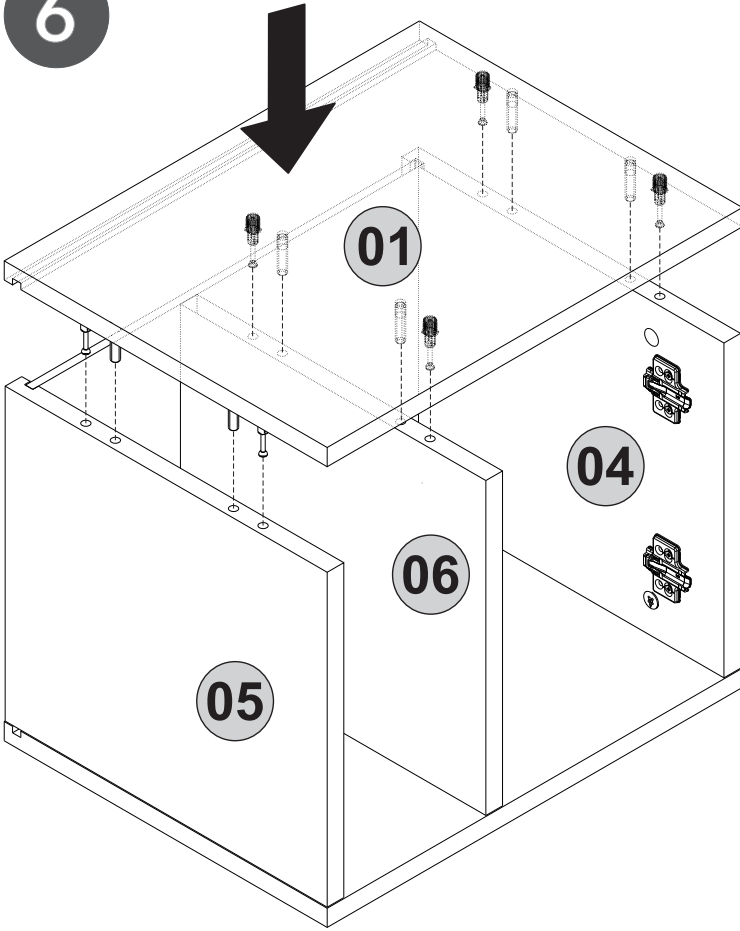


3

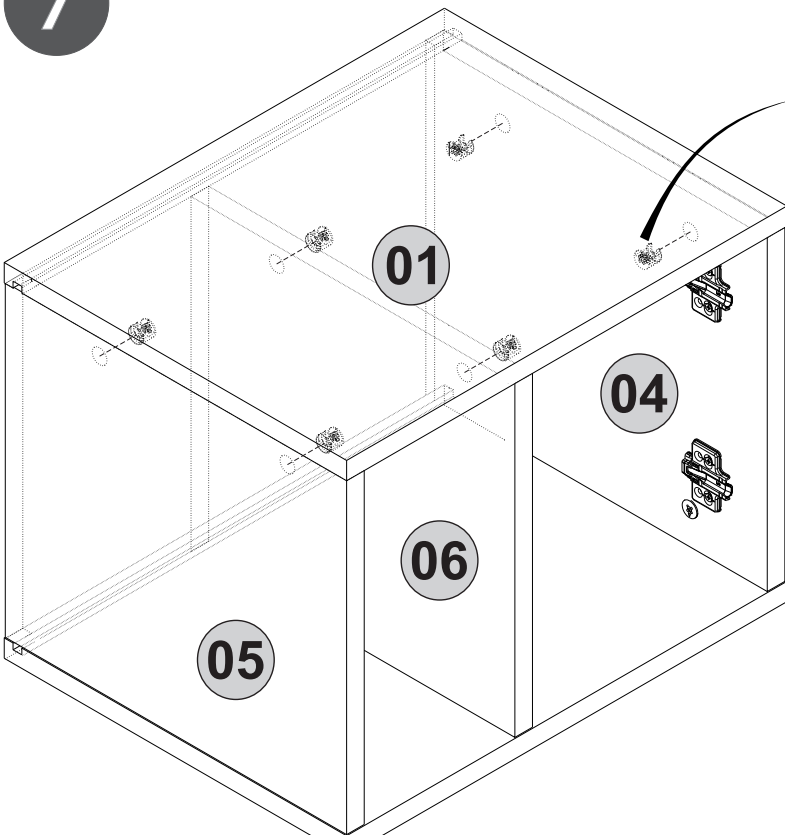




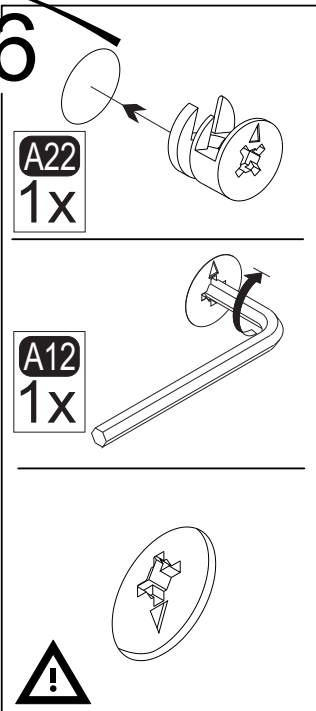
6



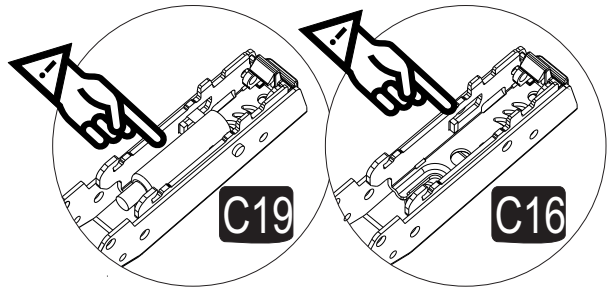
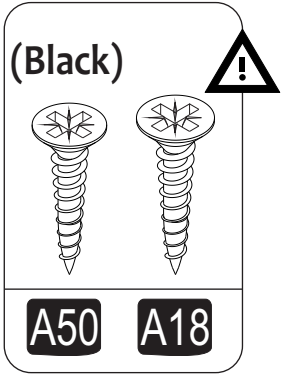
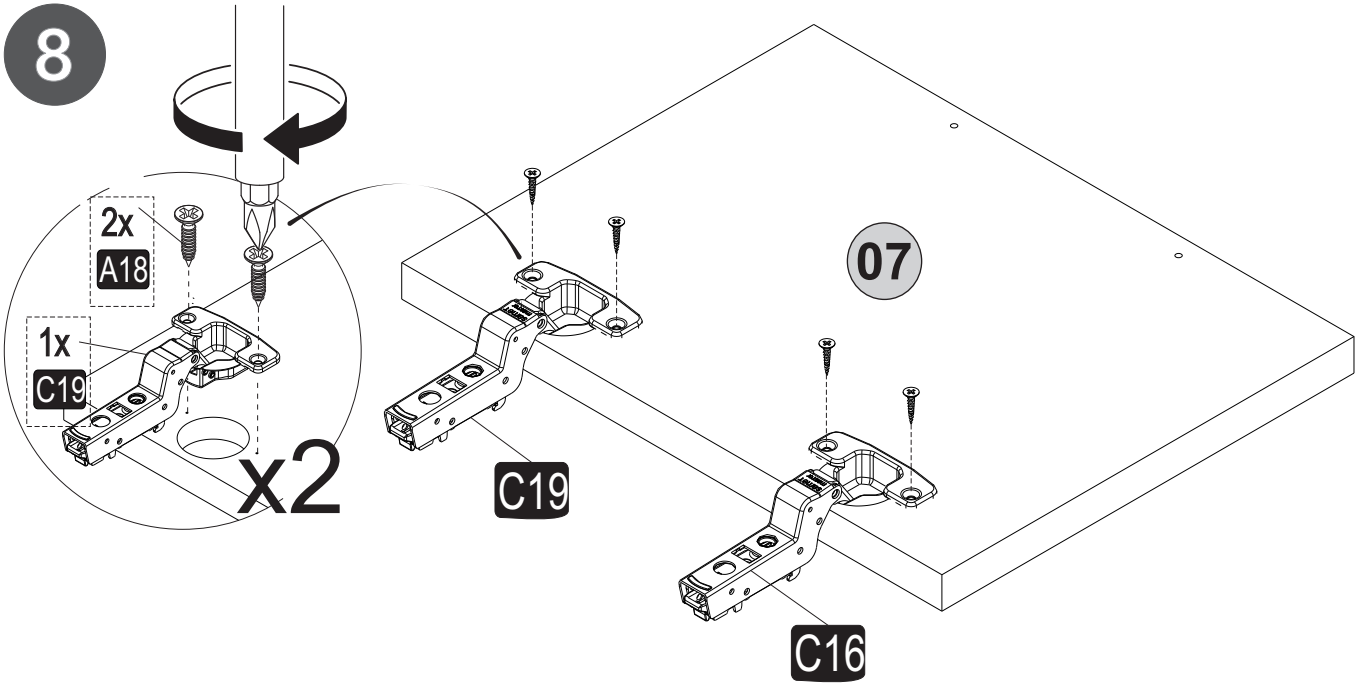
7



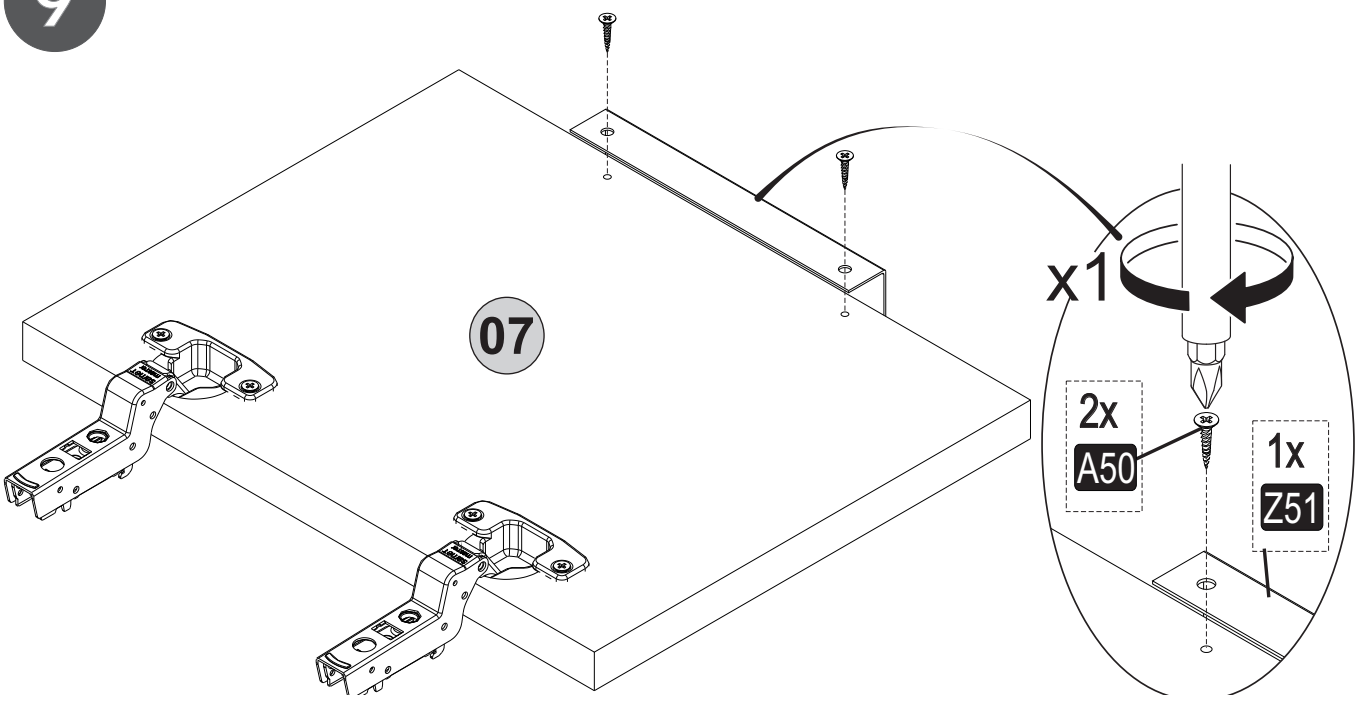
x6



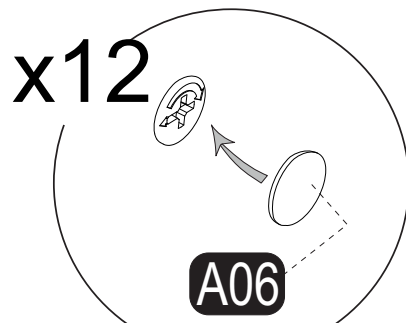
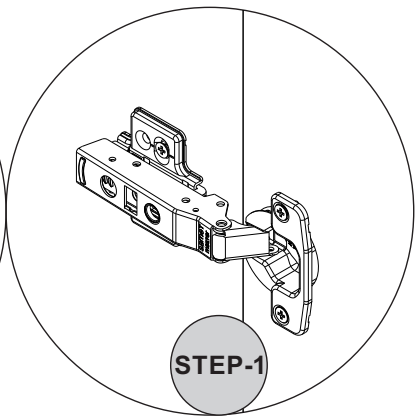
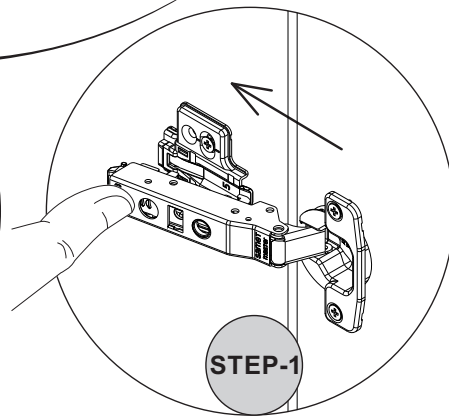
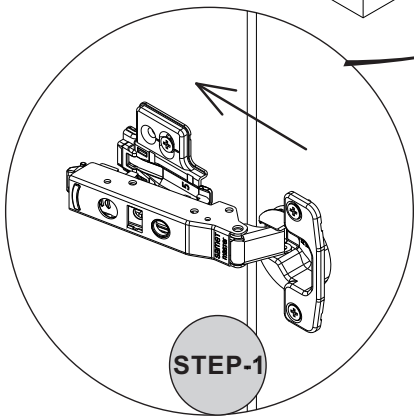
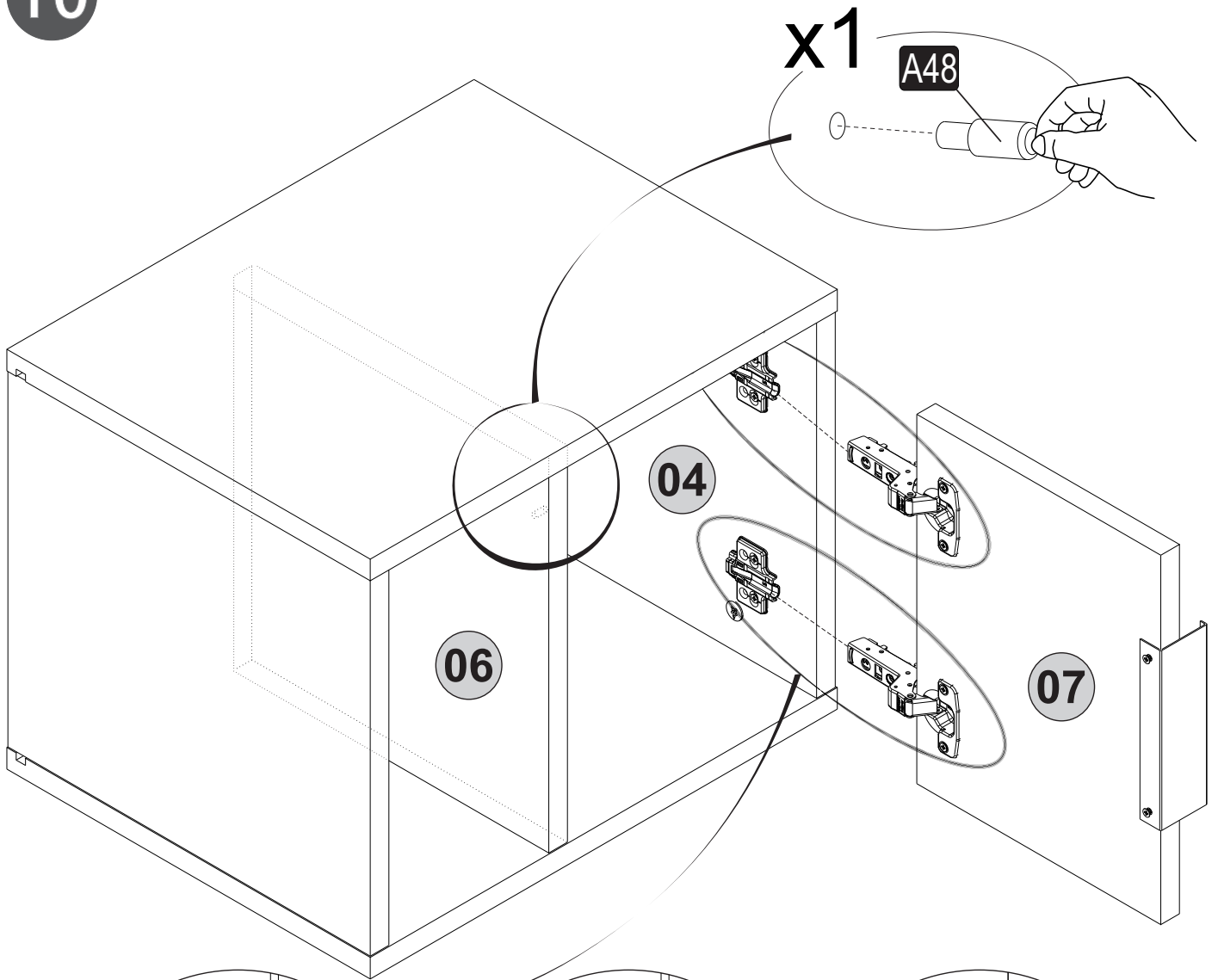
8



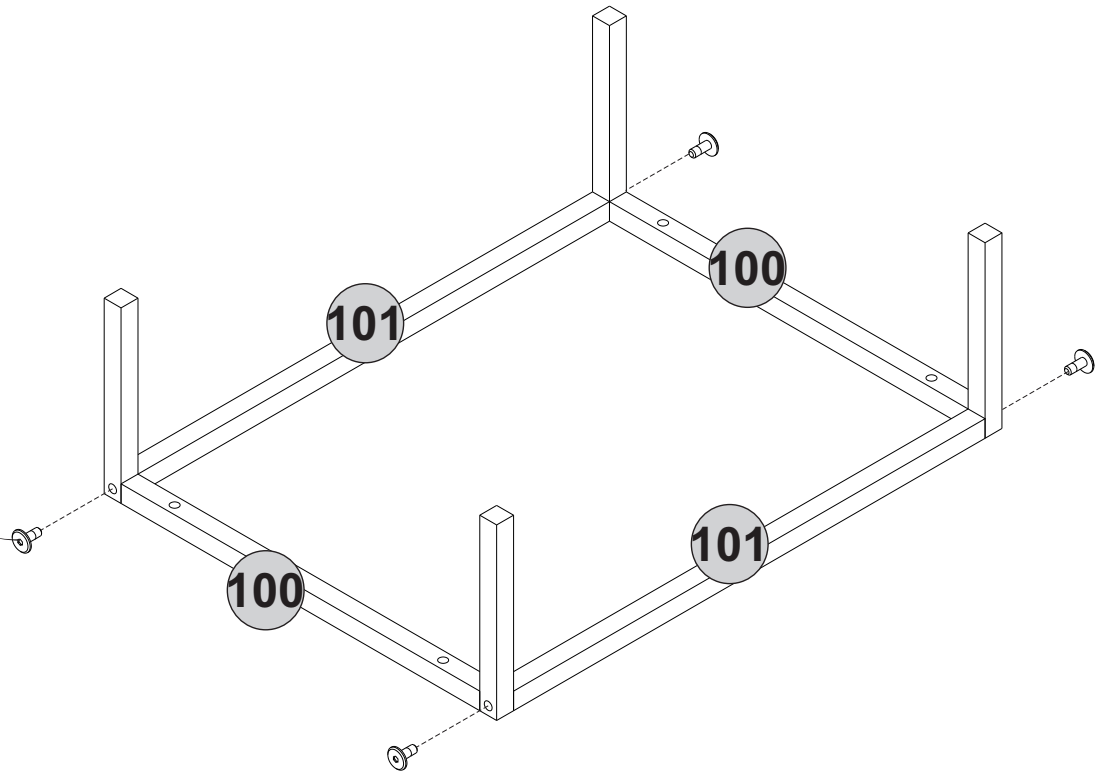
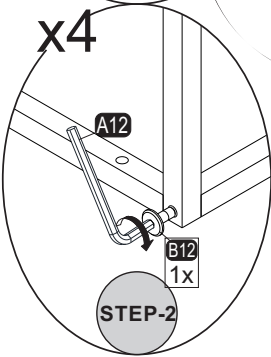
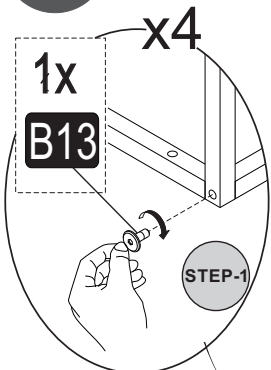
9



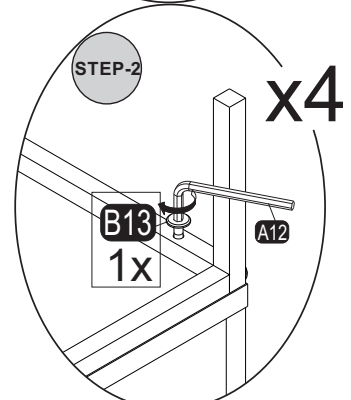
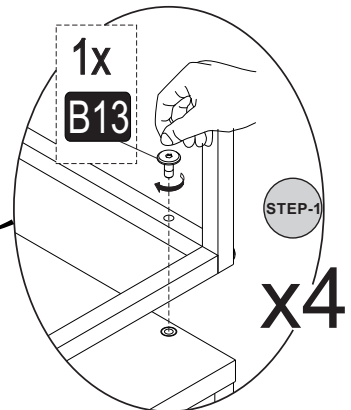
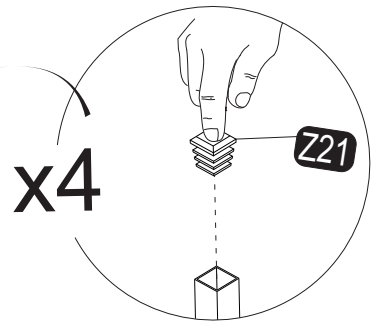
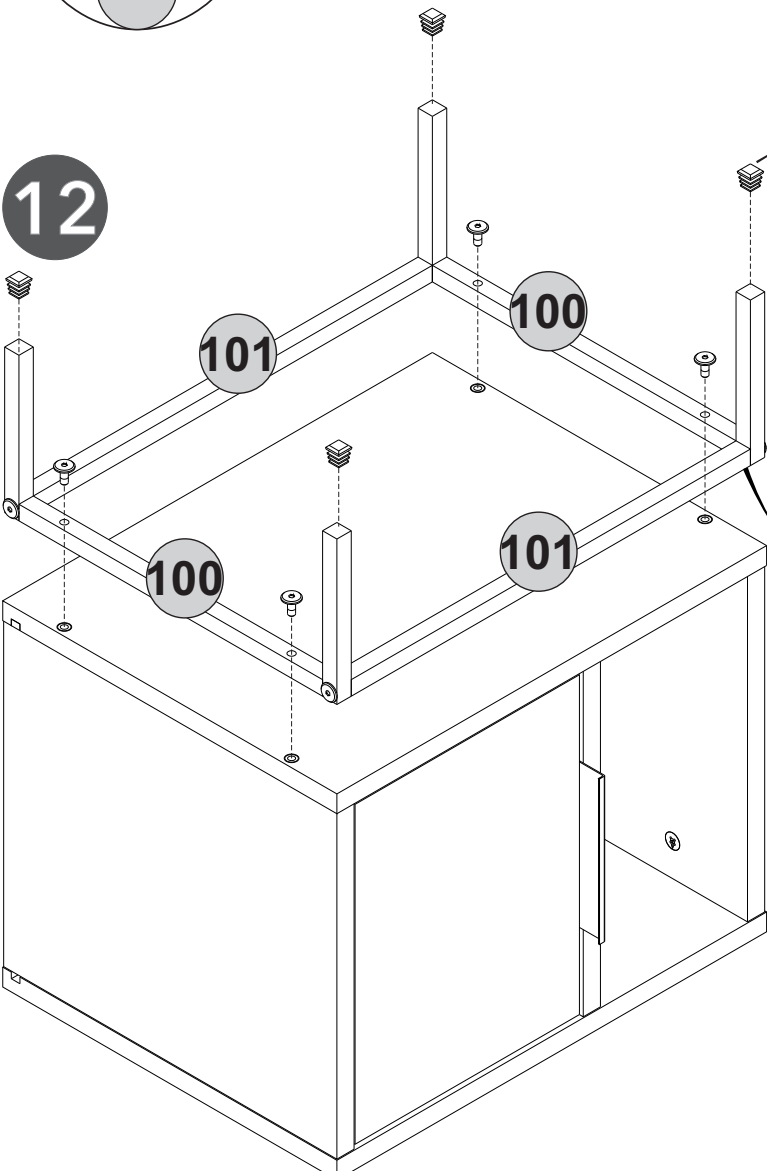
10



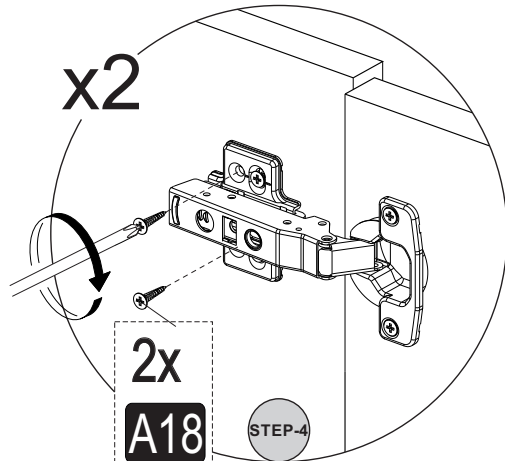
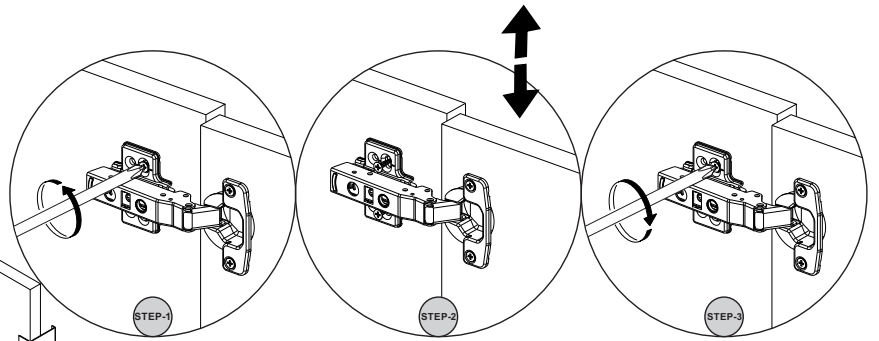
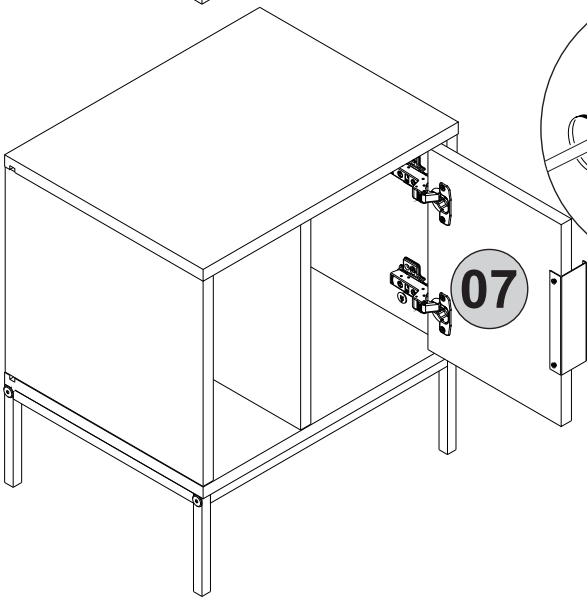
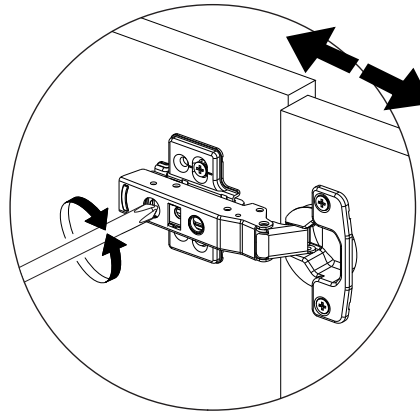
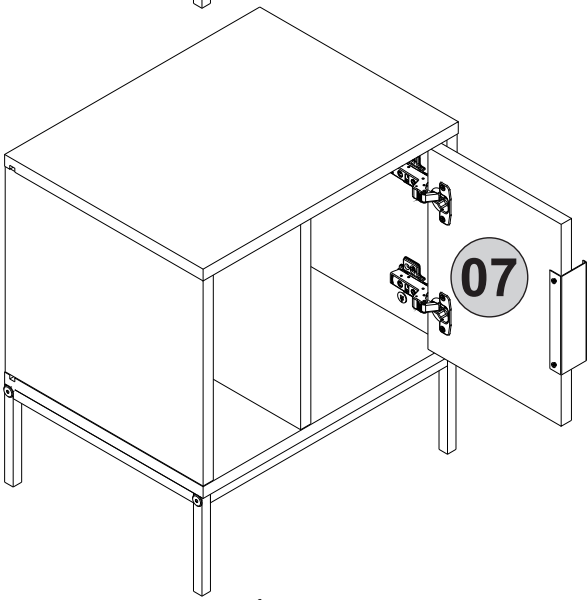
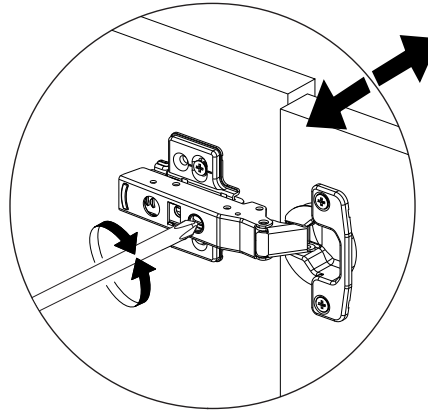
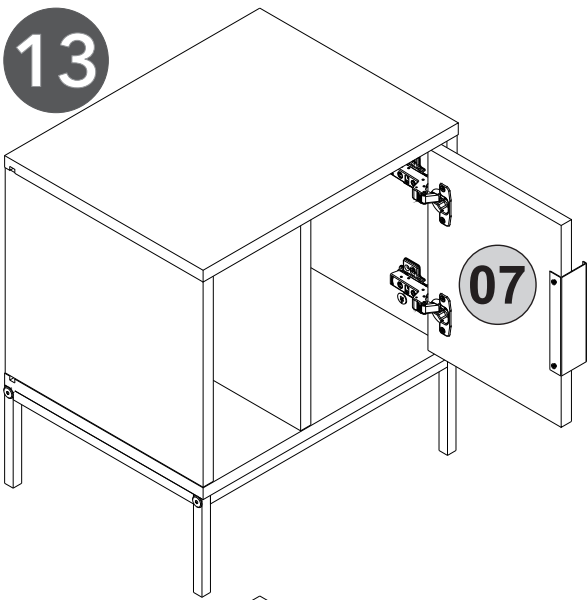
11



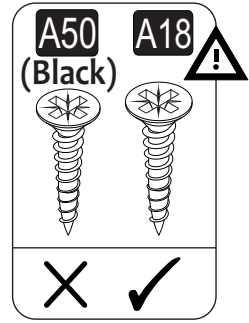
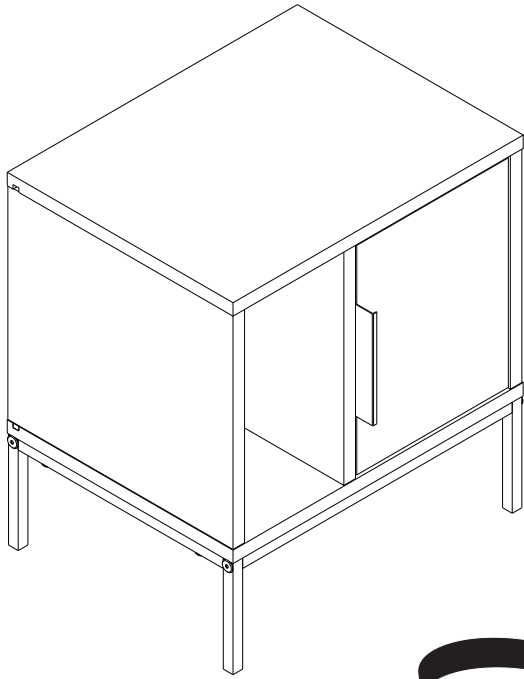
12



13



14



Rotate

