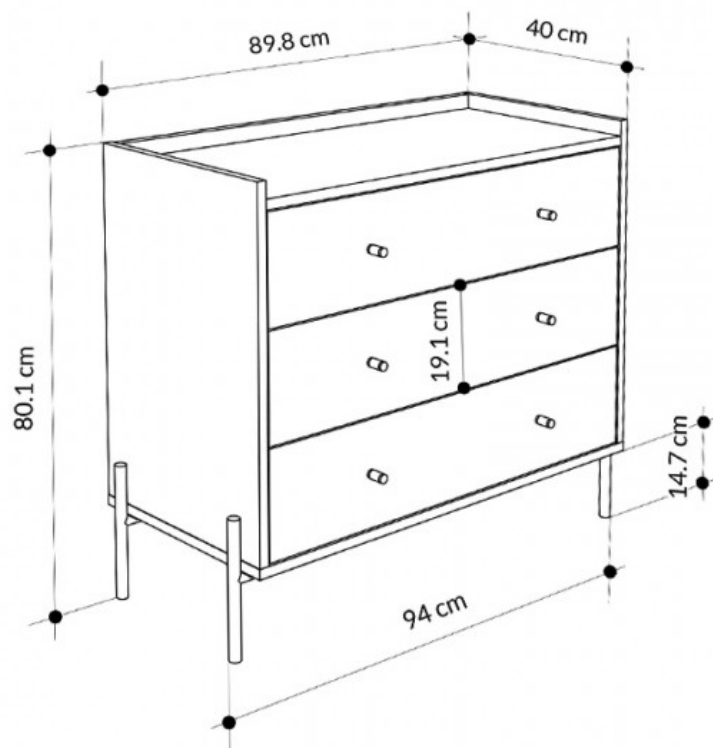
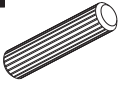

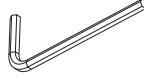
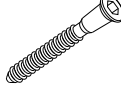




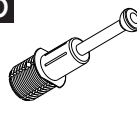
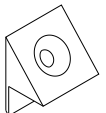
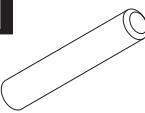

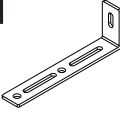


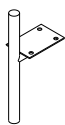
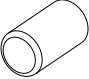
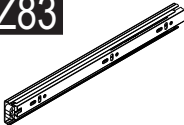

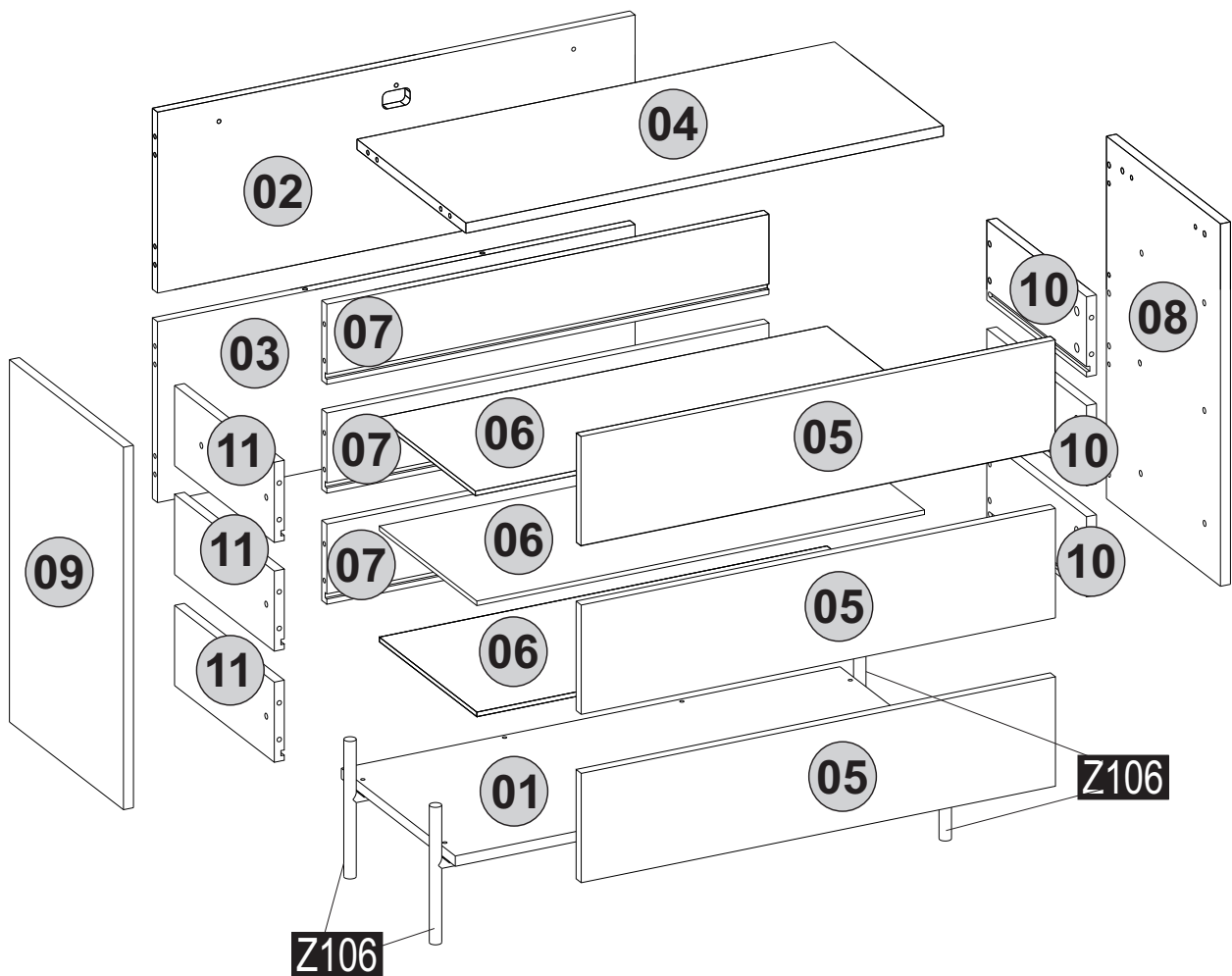




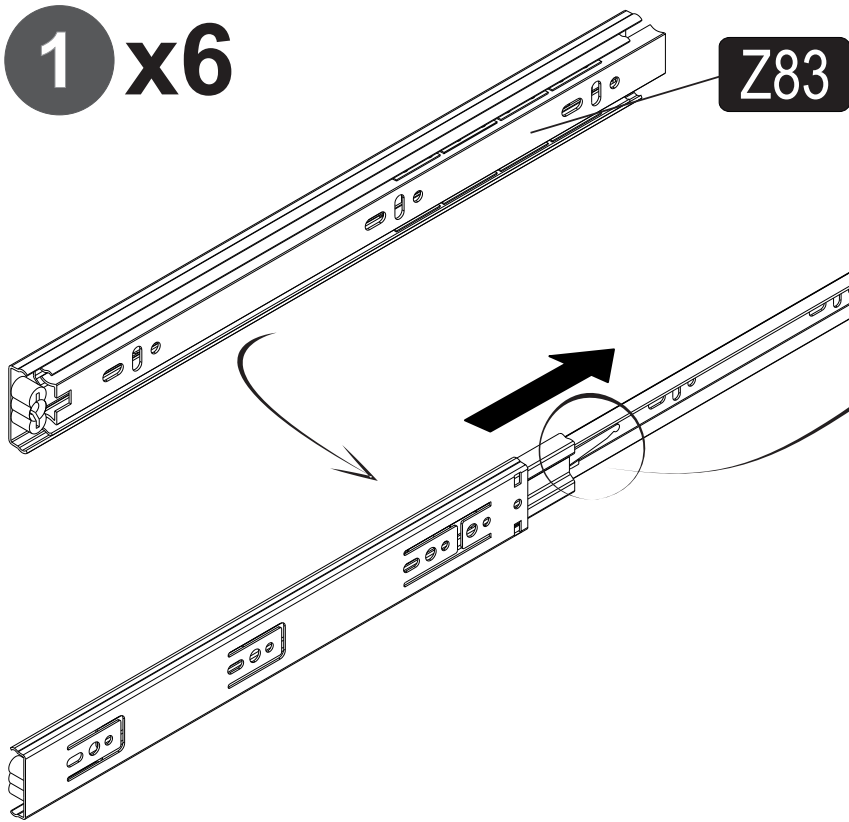
GP037-0236,1



A04 Ø8x30 12x 	A06 18mm C1-45x 	A12 Allen 1x 	A13 50mm 9x 	A16 DbØ8 1x 
A17 4x50 1x 	A18 3,5x18 14x 	A22 Minifix k18 36x 	A23 Minifix M10 36x 	A25 ARK.PL 12x 
A41 Ø8x55 2x 	A69 P.D. 16x 	A87 15x90x30 1x 	B15 15 (black)mm 16x 	Z07 4x22kv 6x 
Z106 BPA 4x 	Z121 MDK 6x 	Z83 35x350 TR 3x 	A130 T.R.D. 24x 	

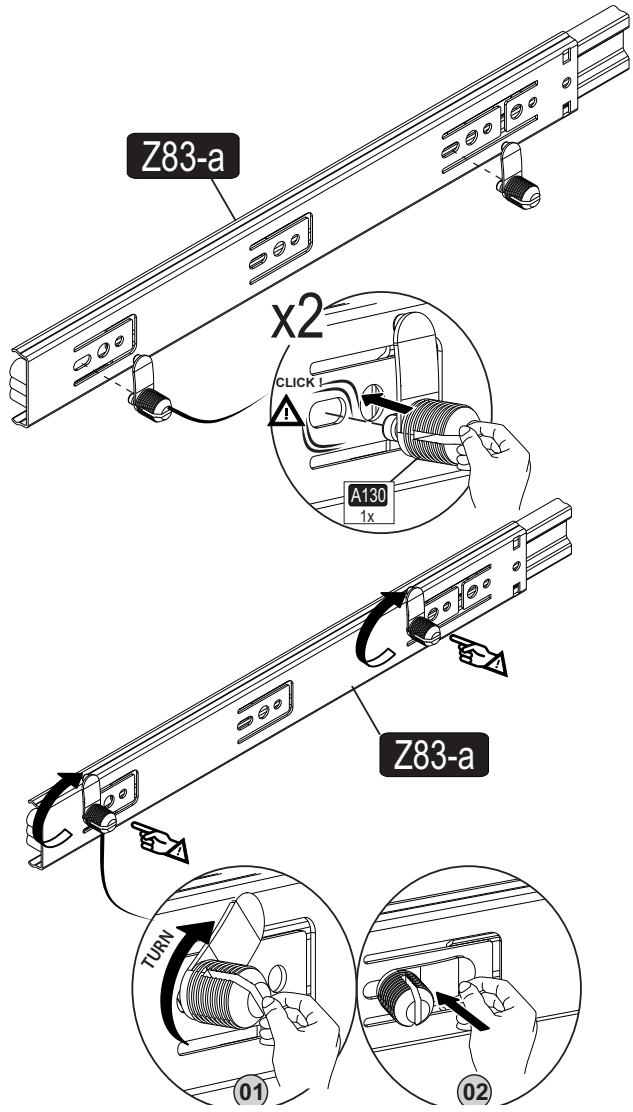


1 x6



Z83

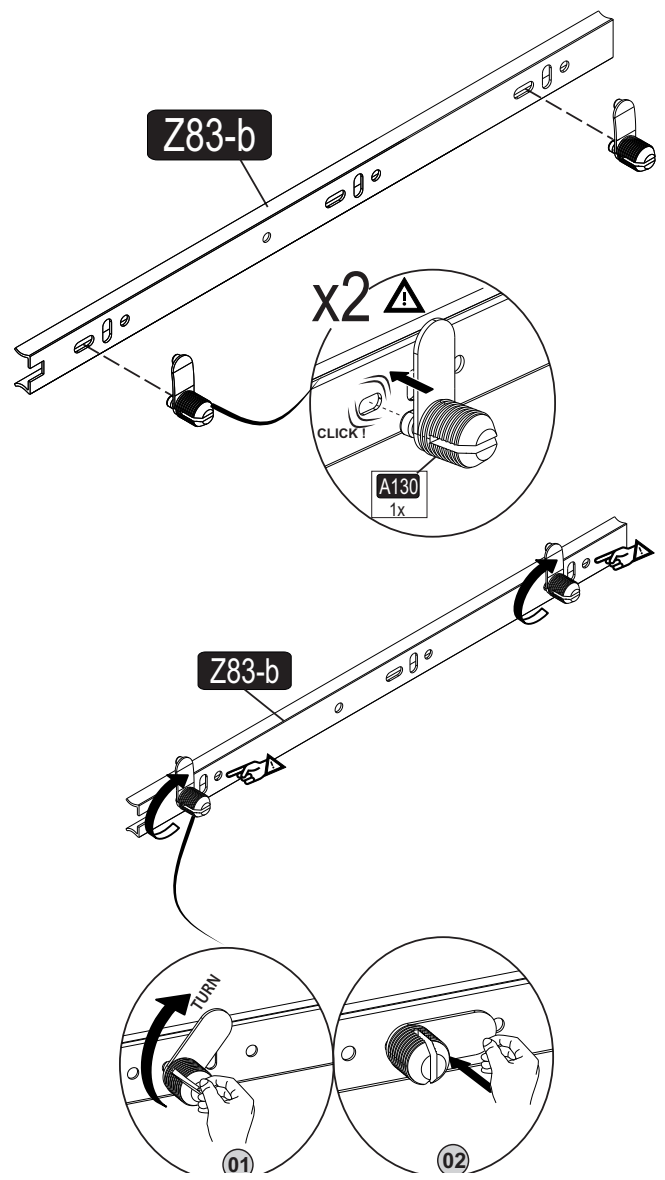
2 x6



Z83-a

x2

Z83-a

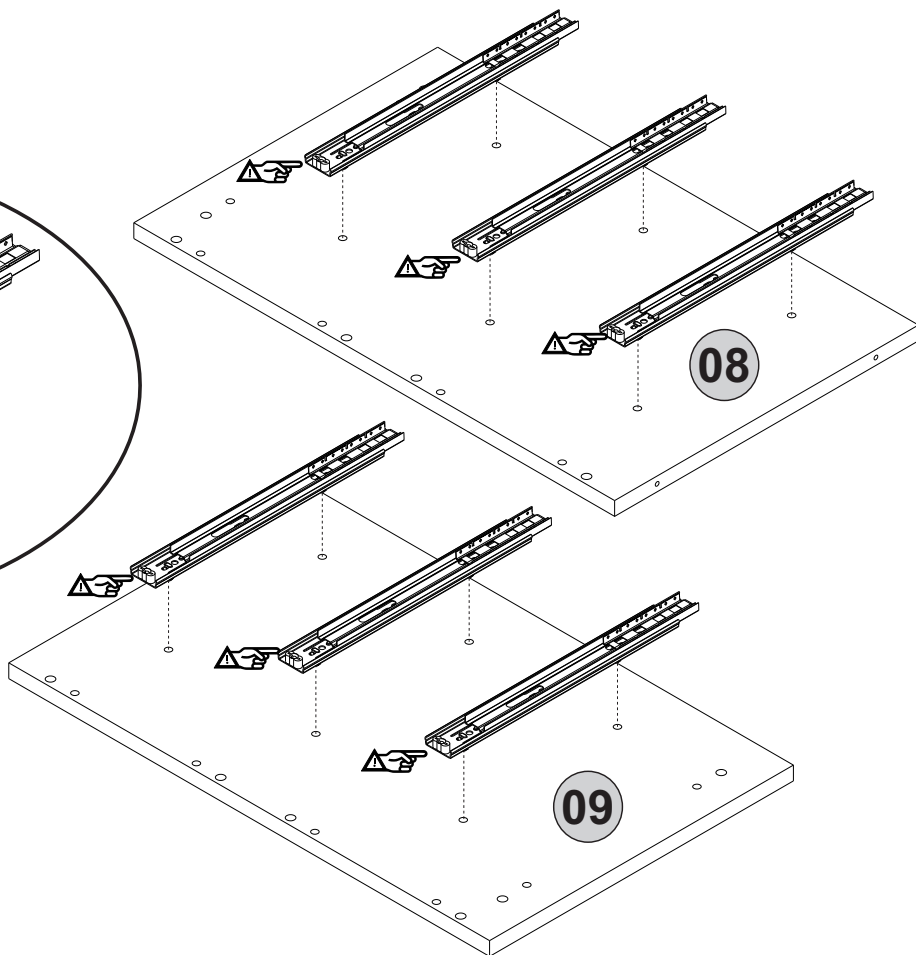
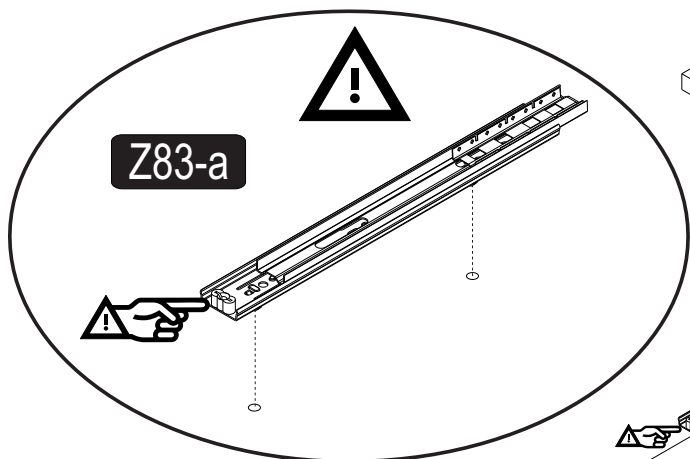


Z83-b

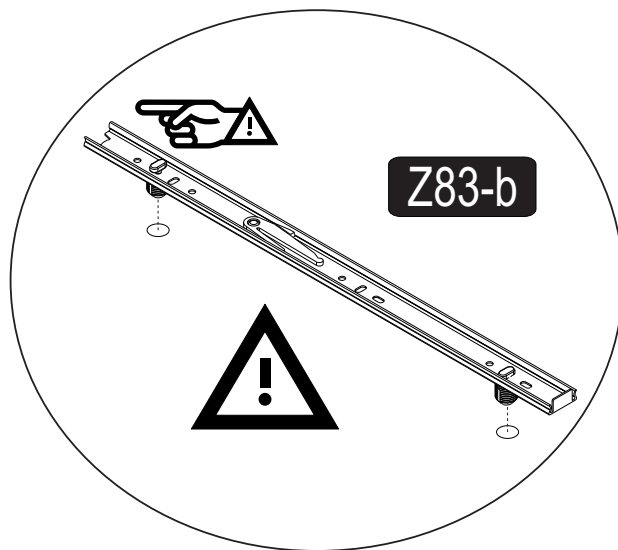
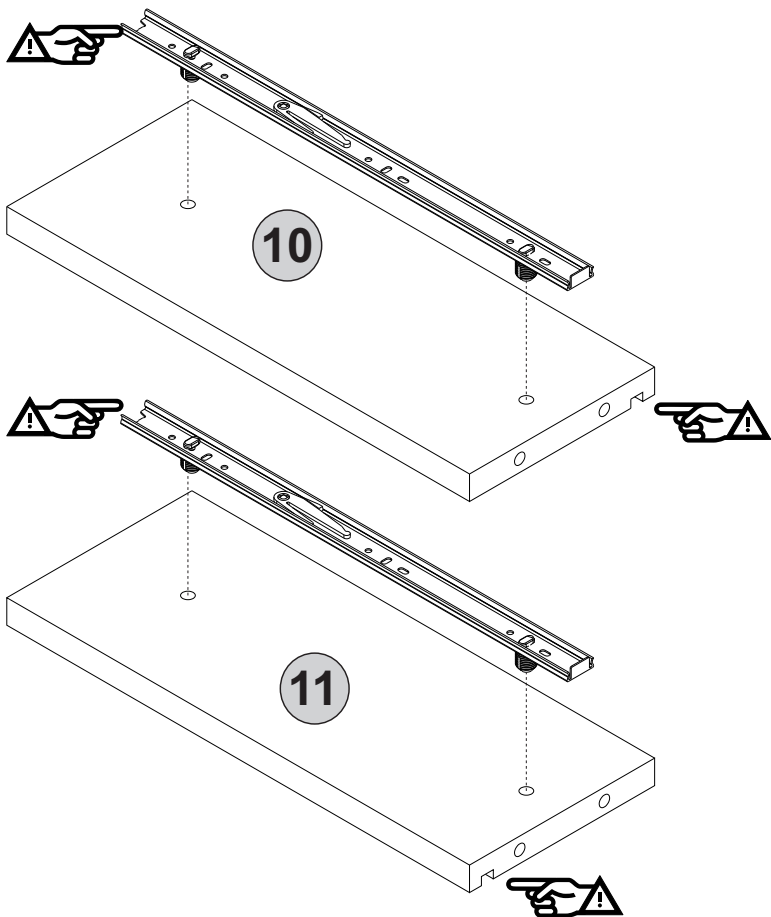
x2

Z83-b

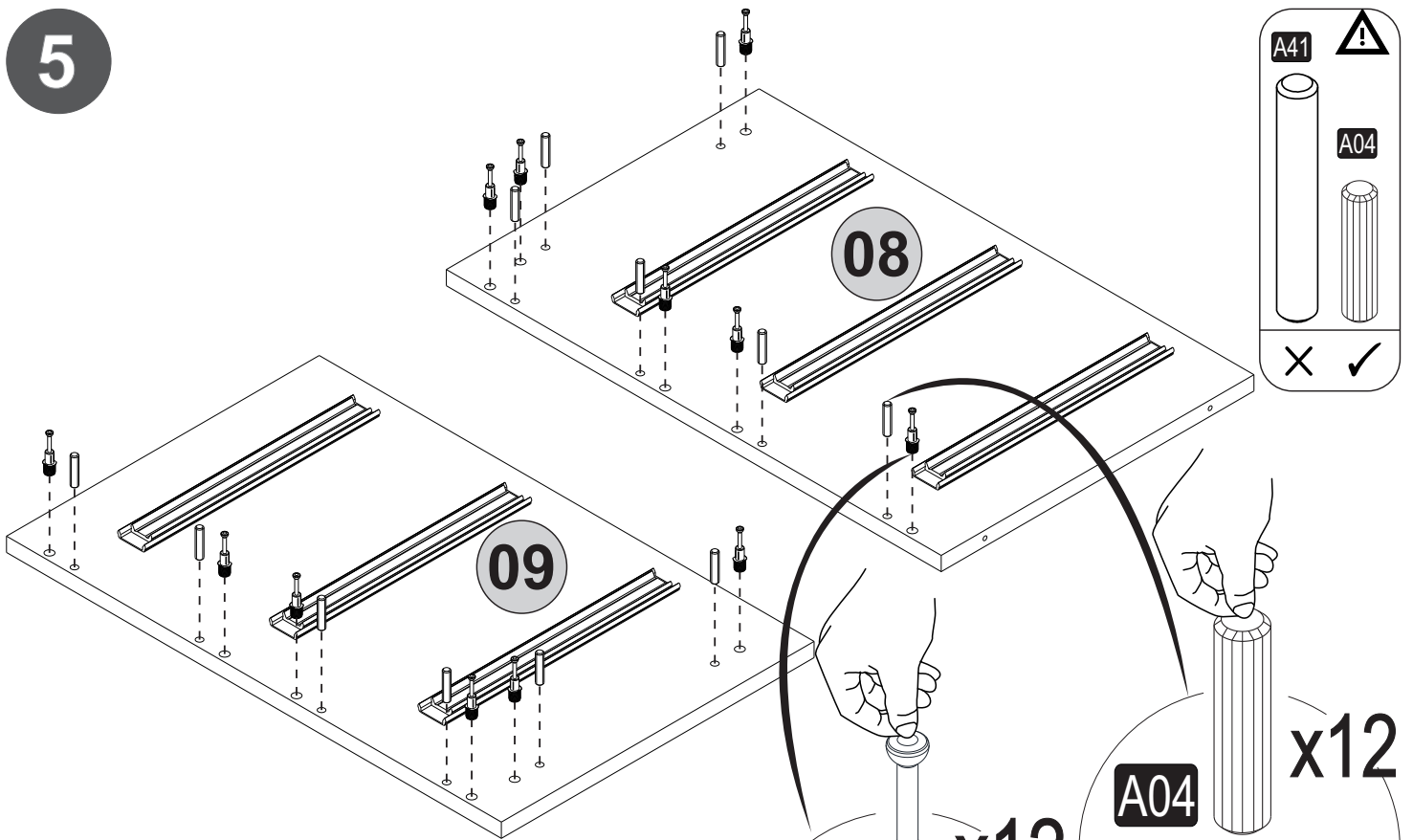
3



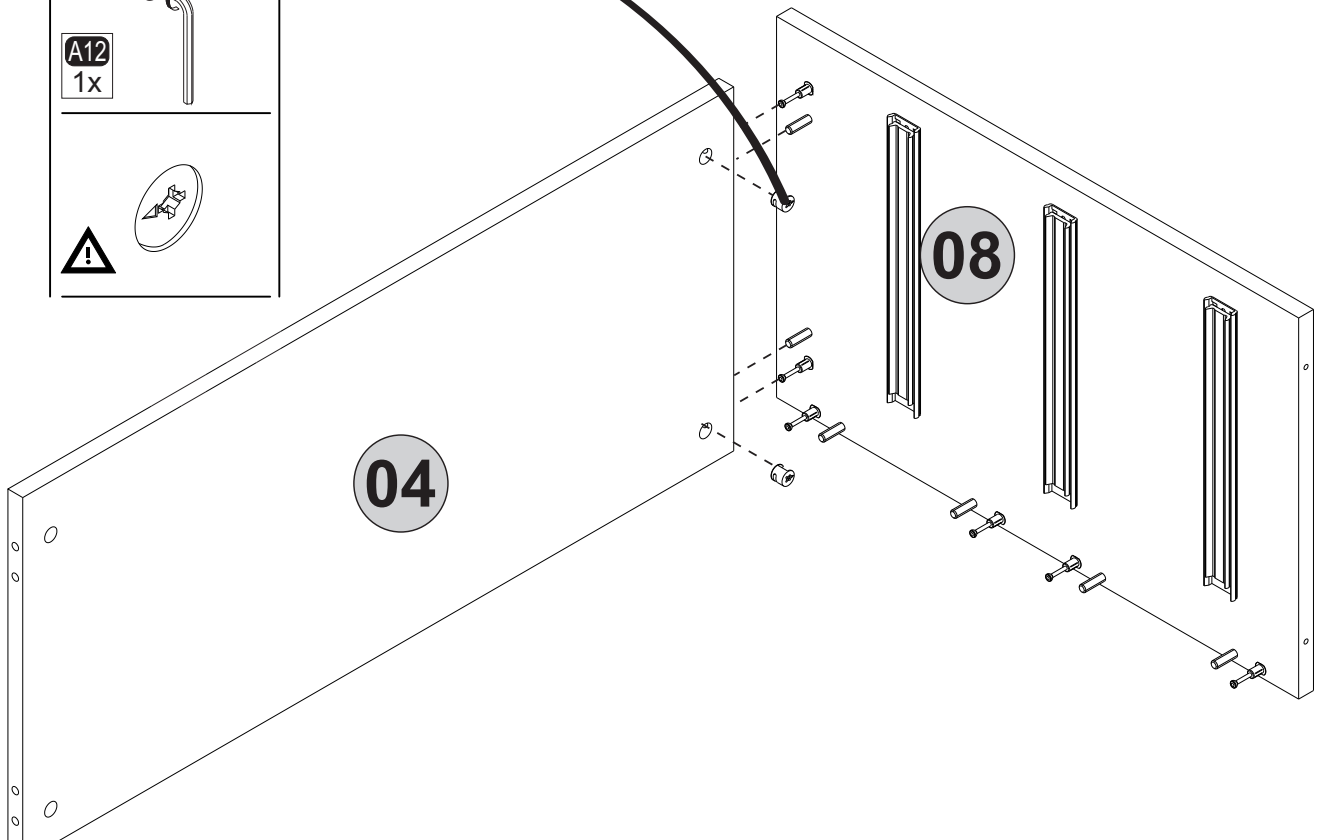
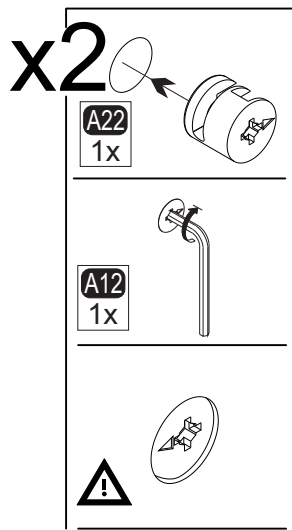
4 x3



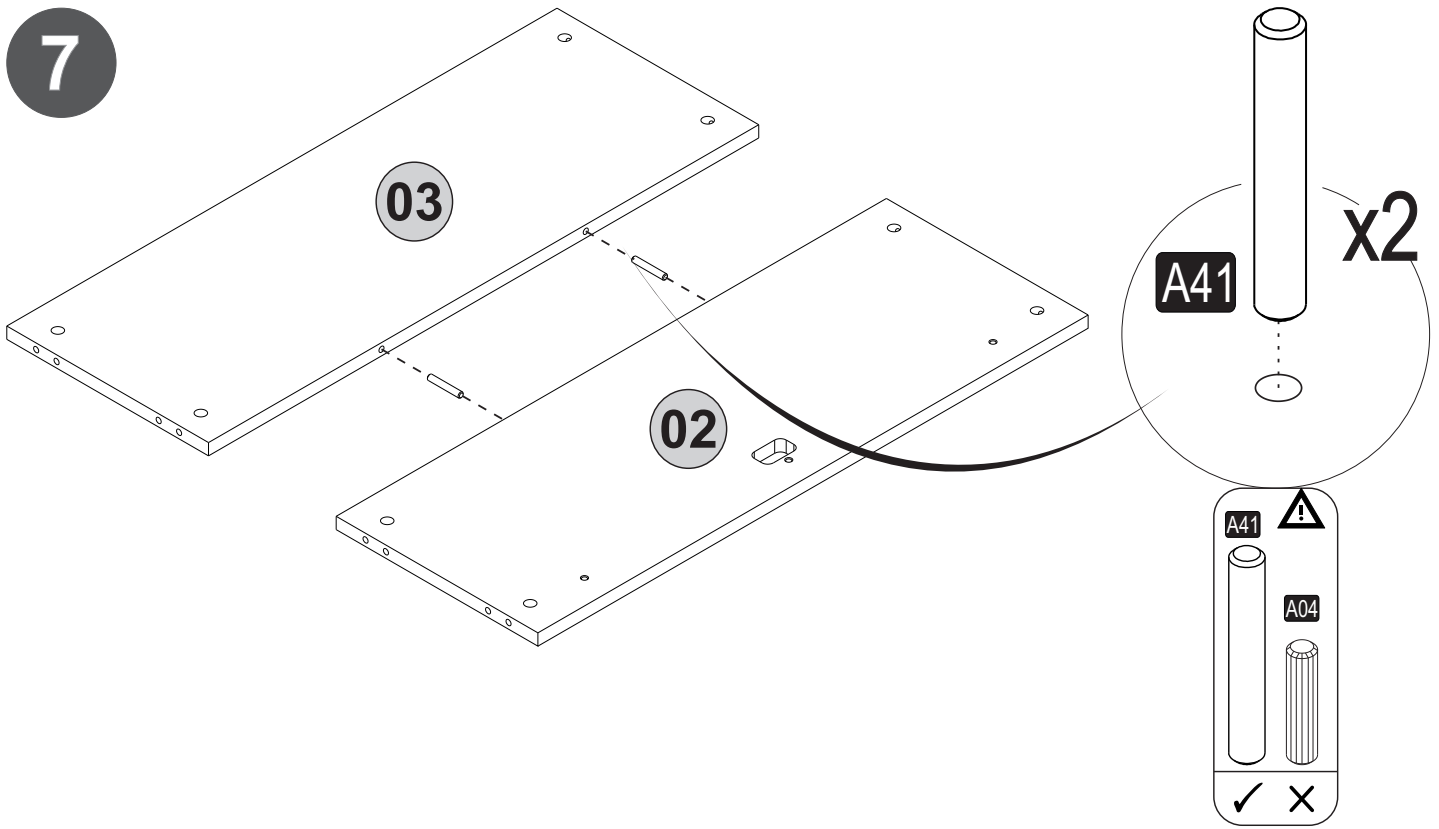
5



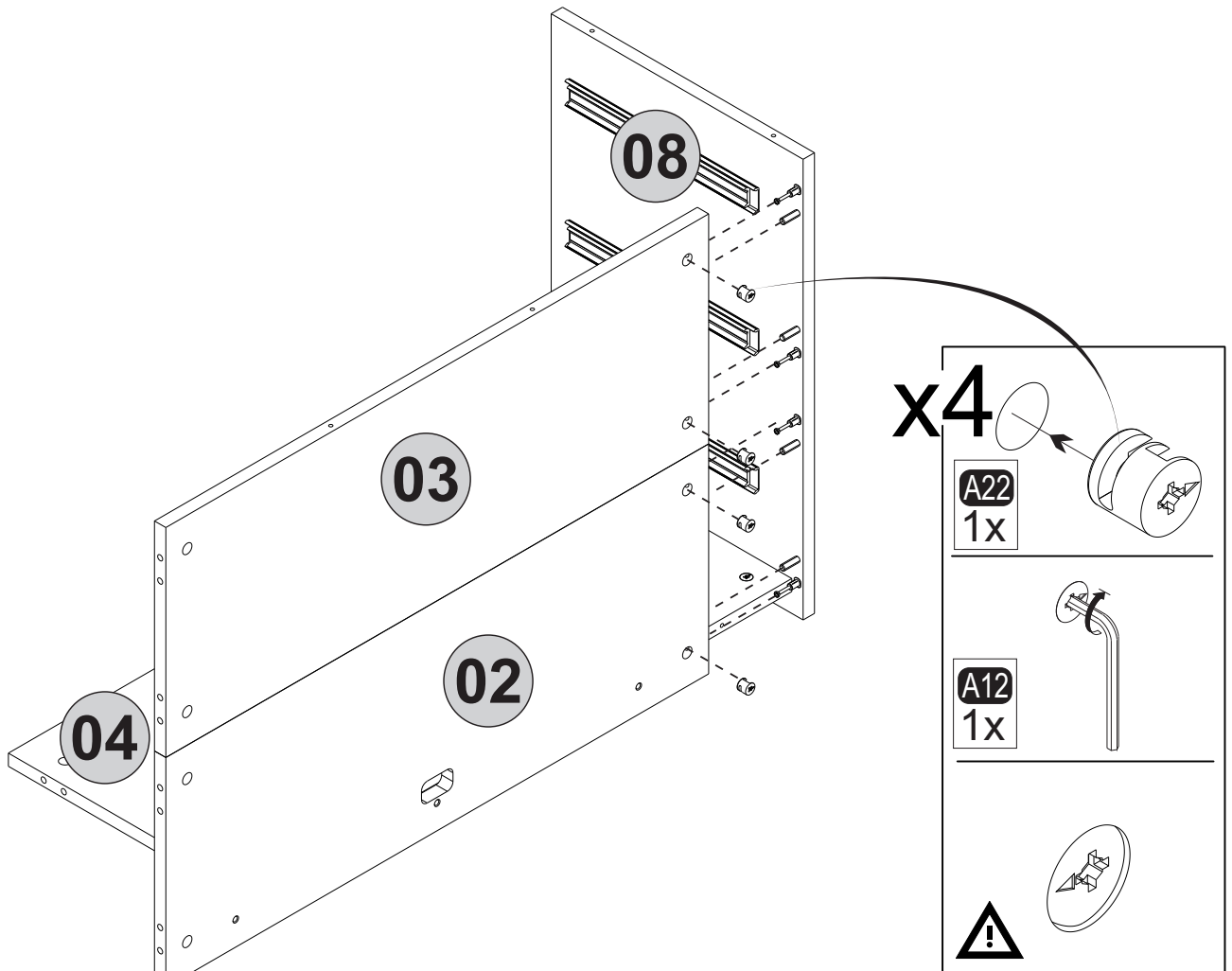
6



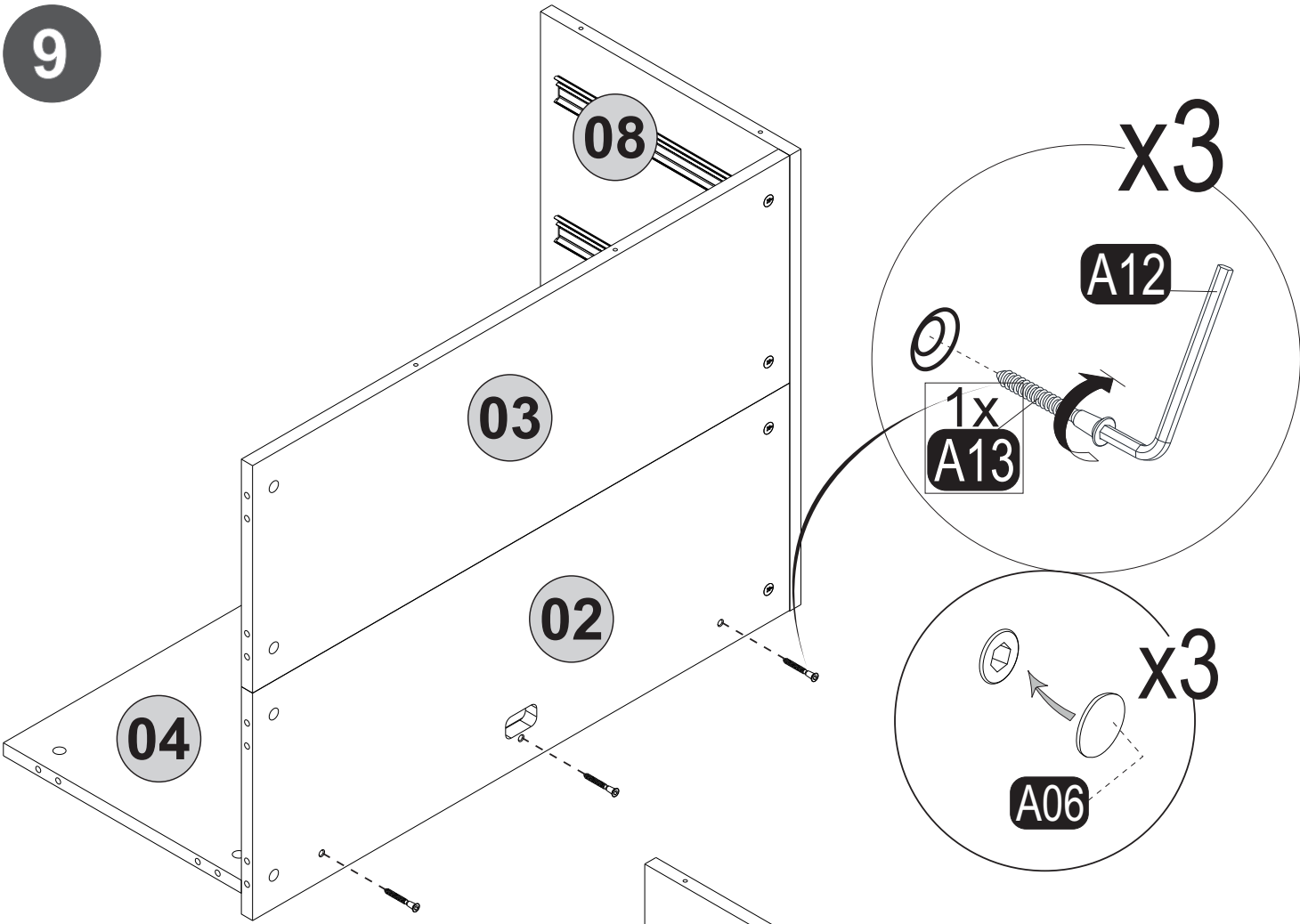
7



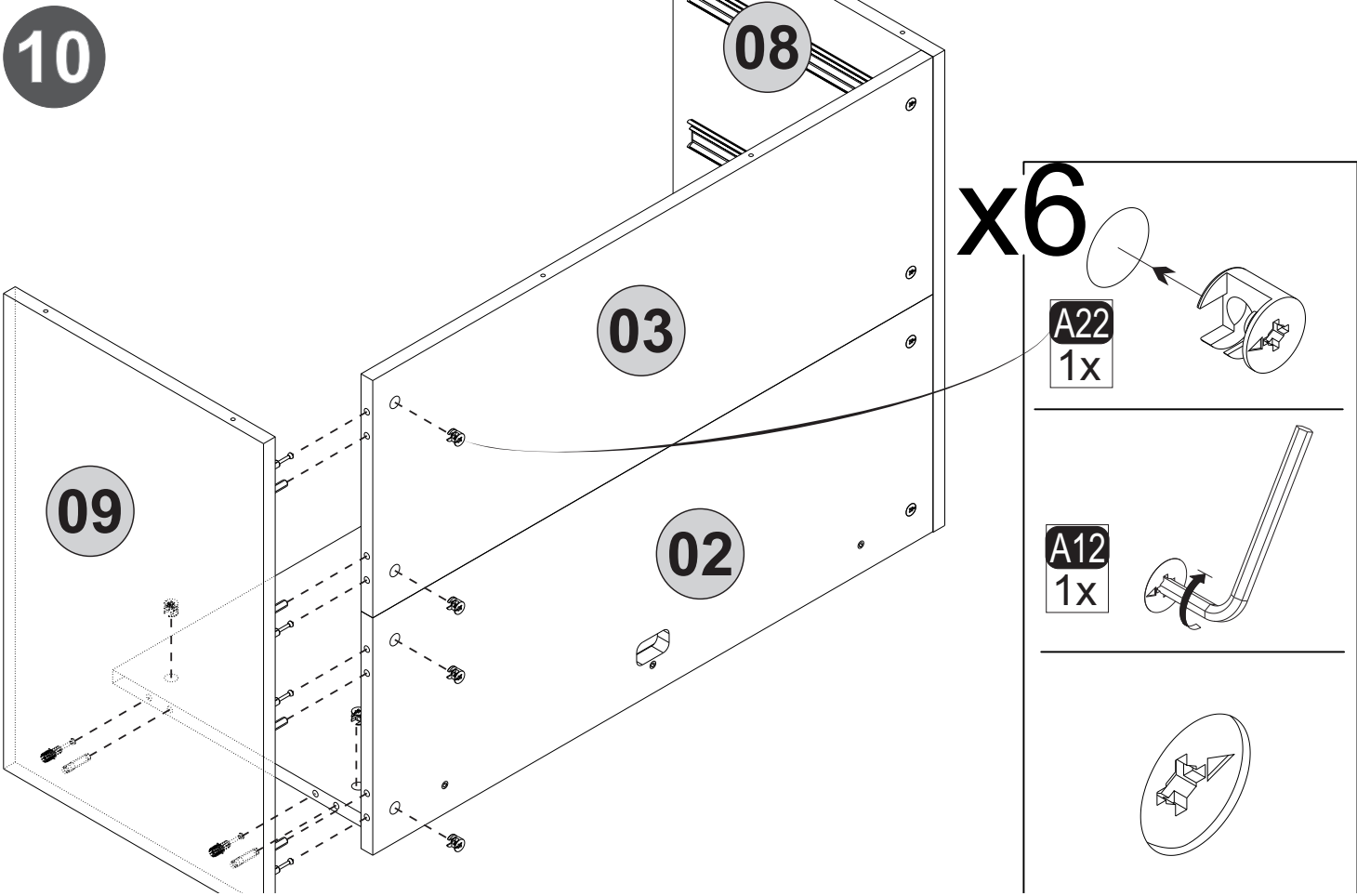
8



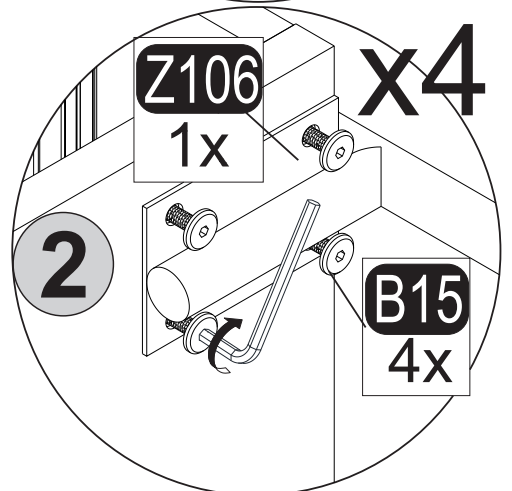
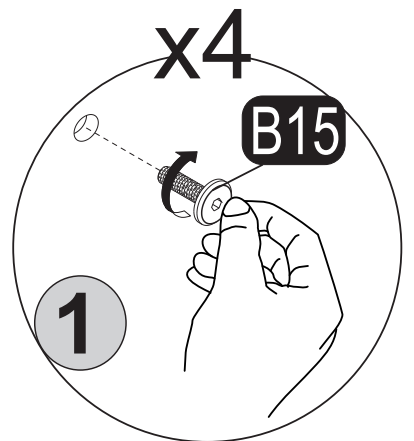
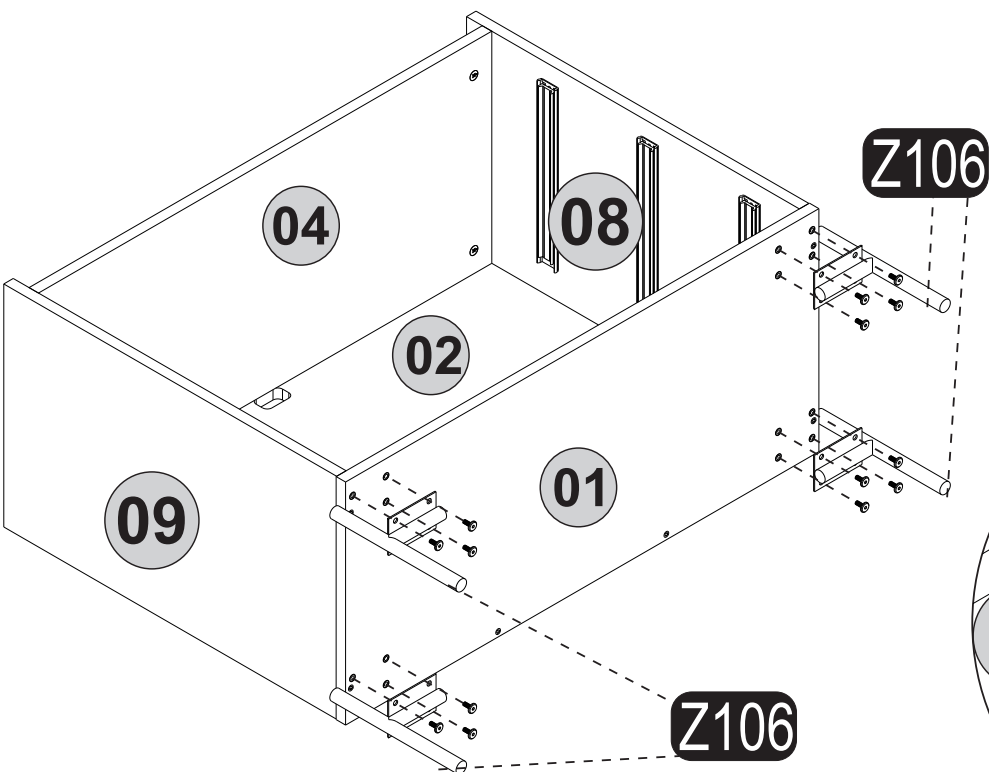
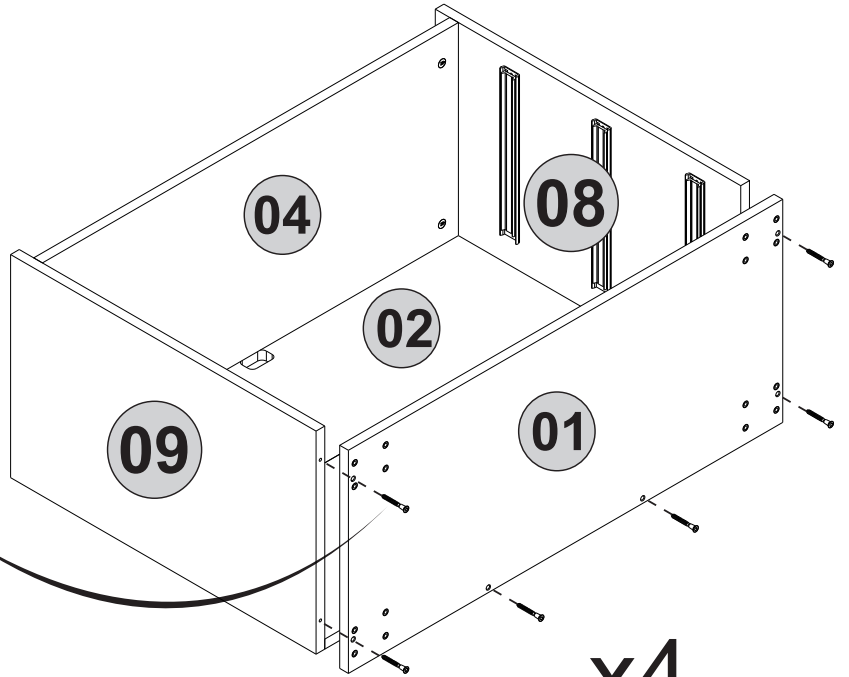
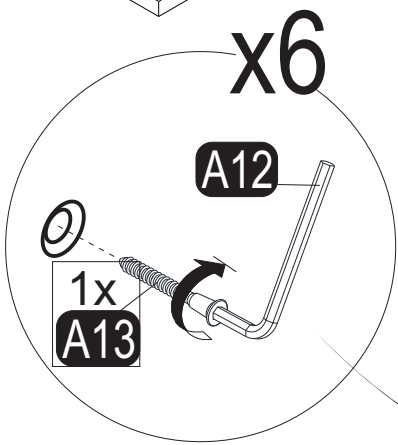
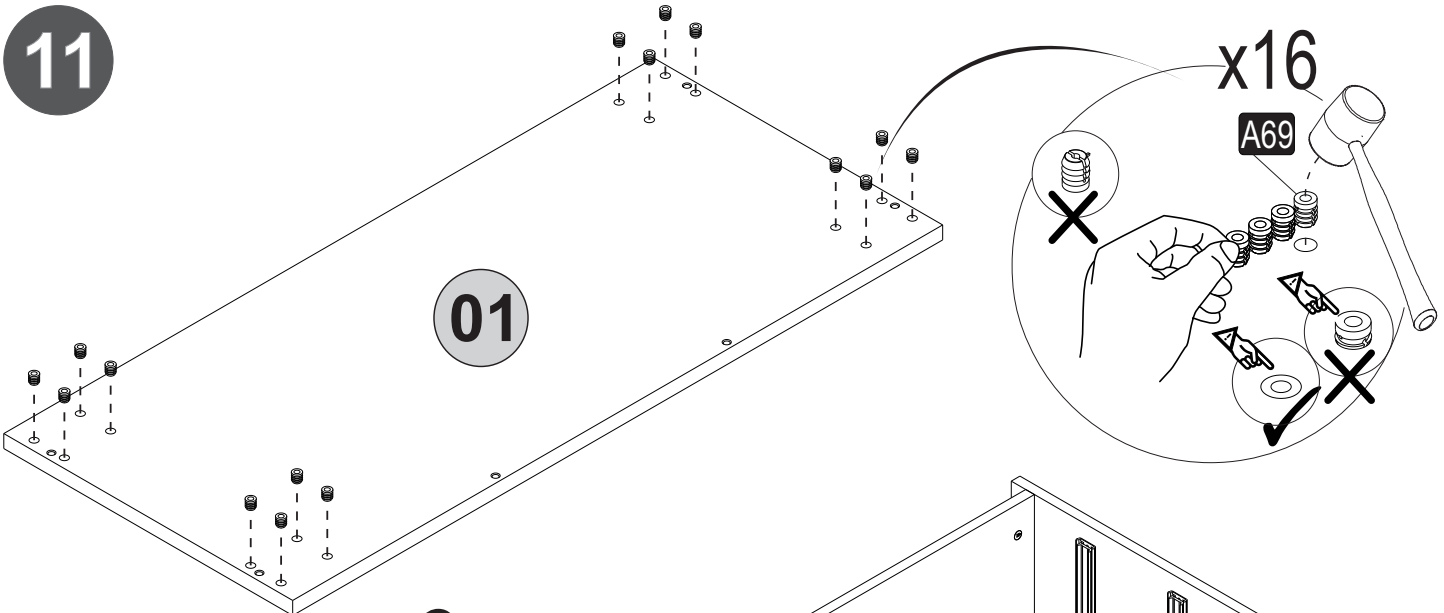
9



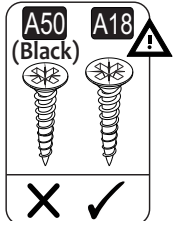
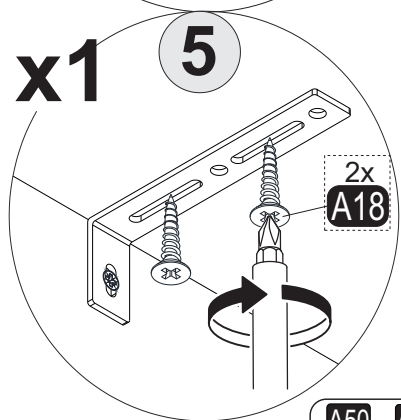
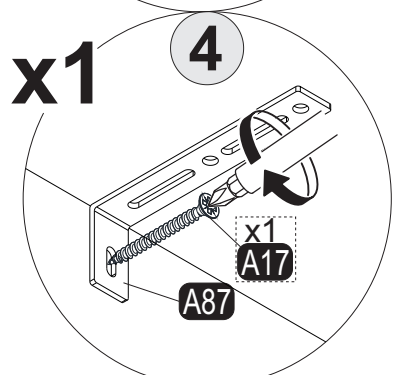
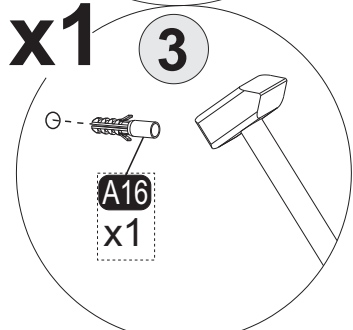
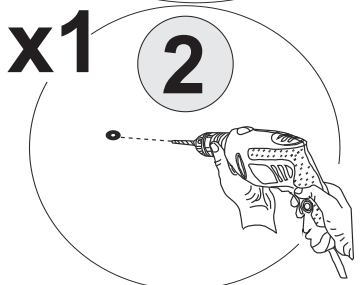
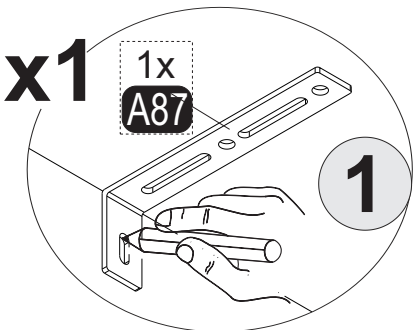
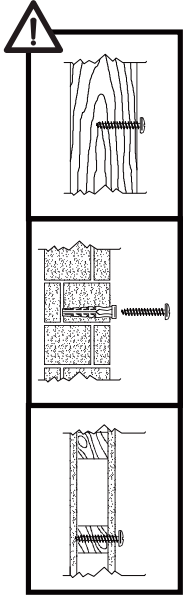
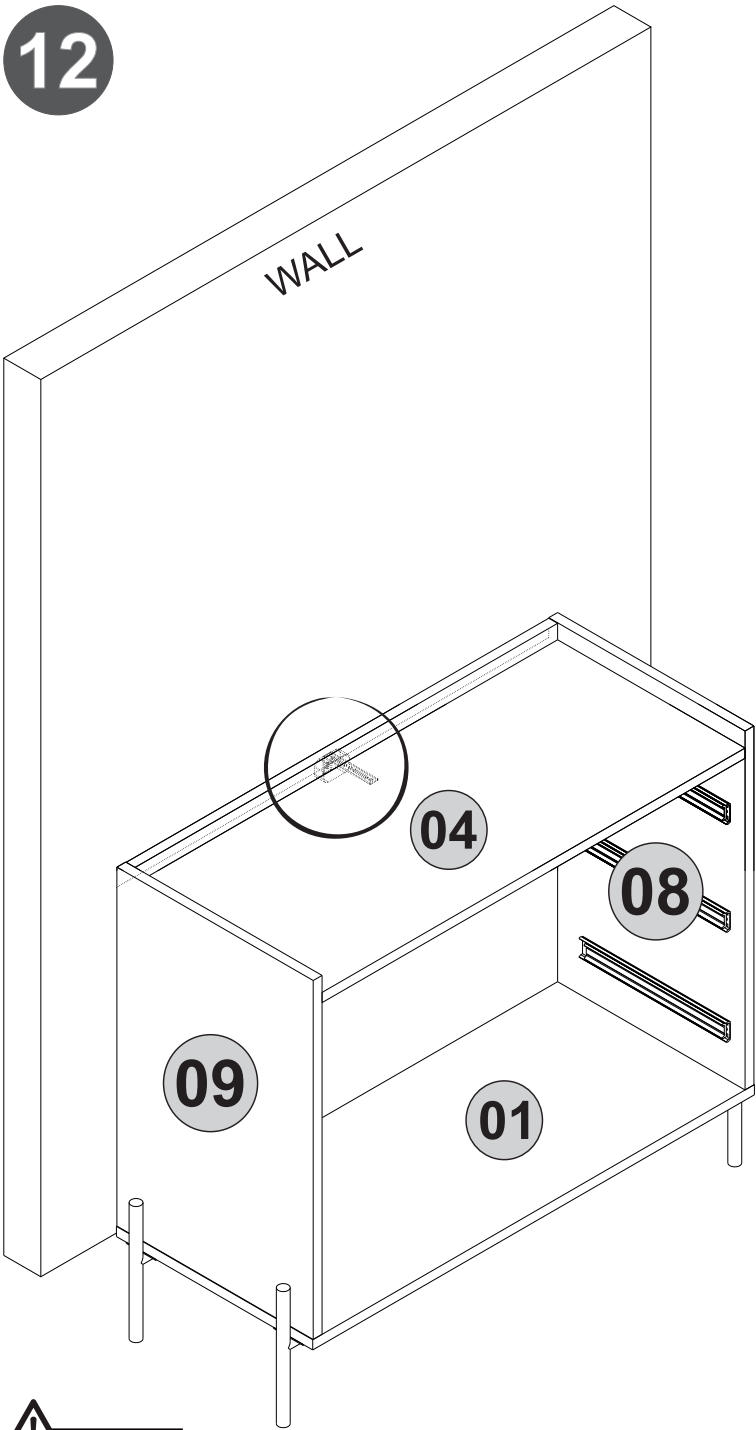
10



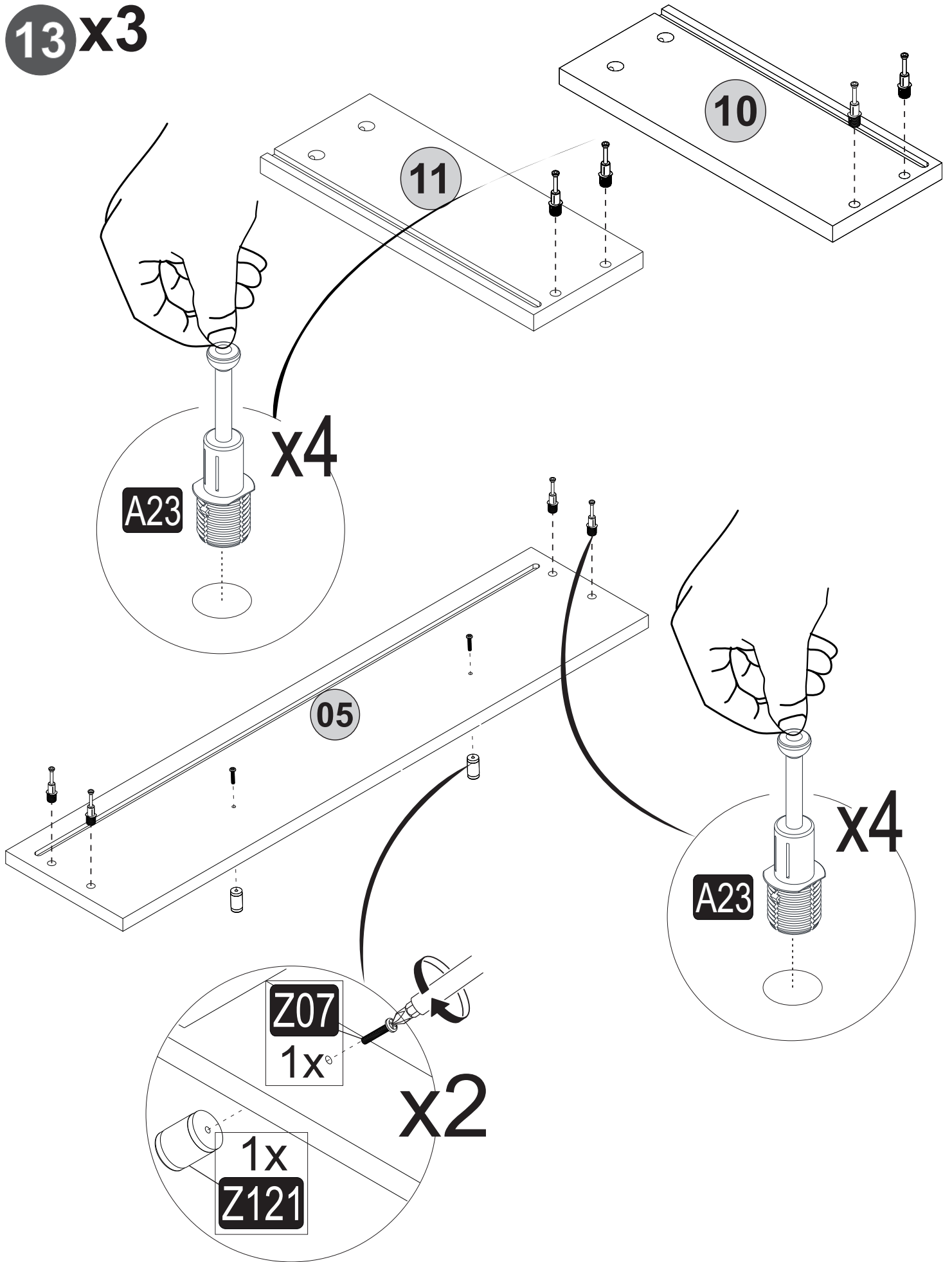
11



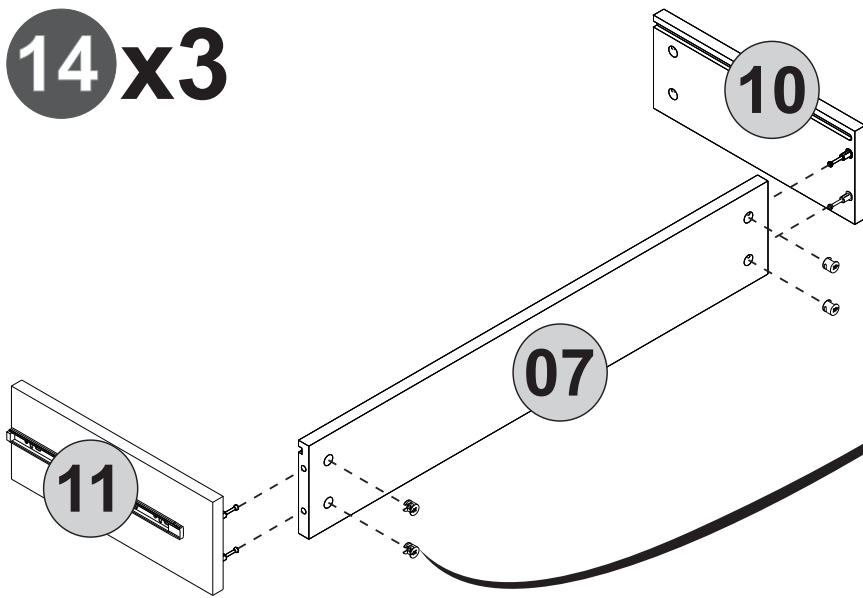
12



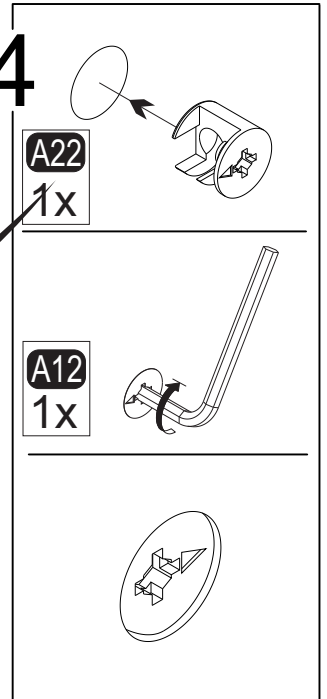
13 x3



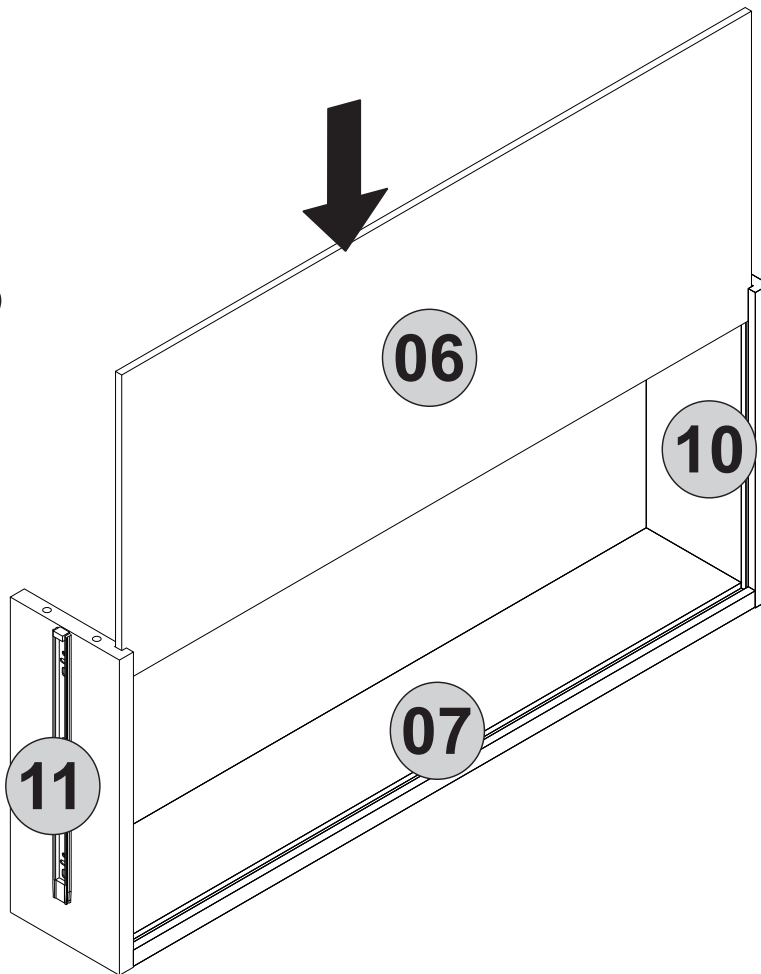
14 x 3



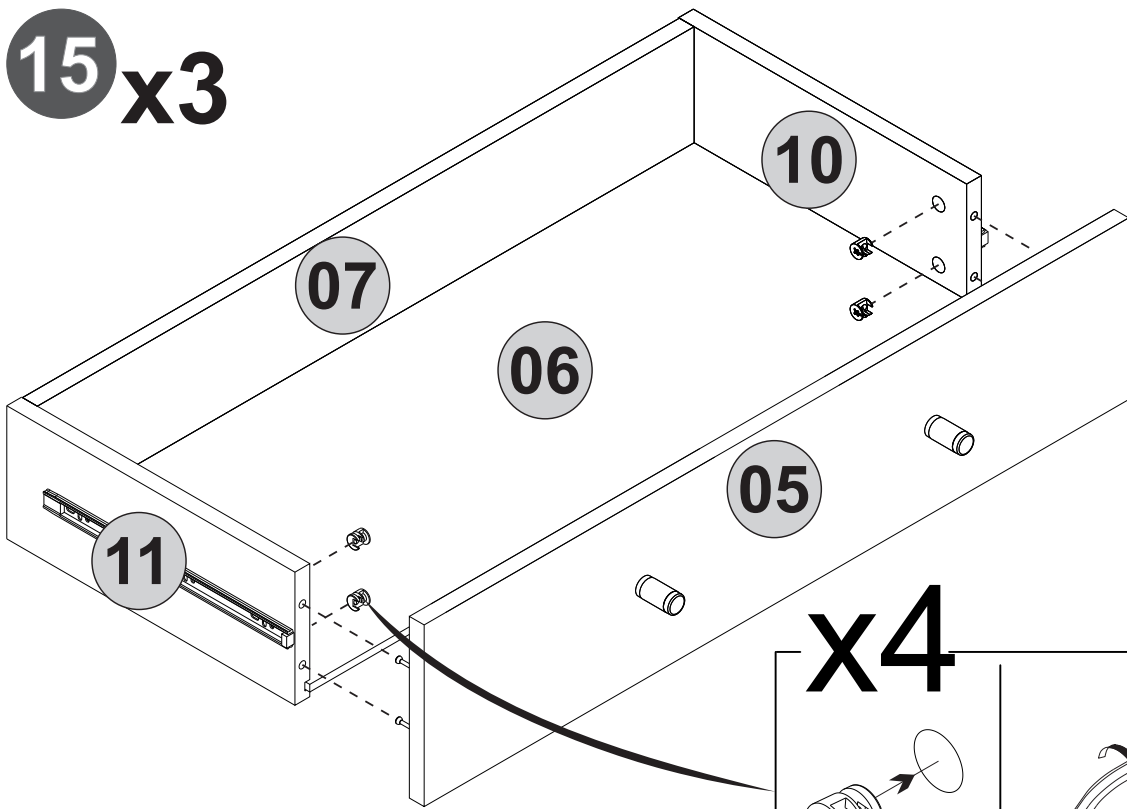
x4



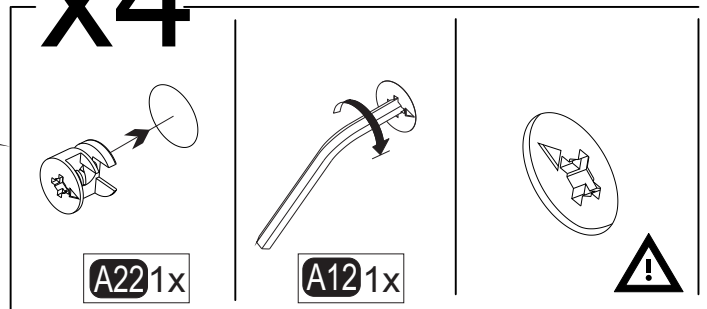
15 x 3



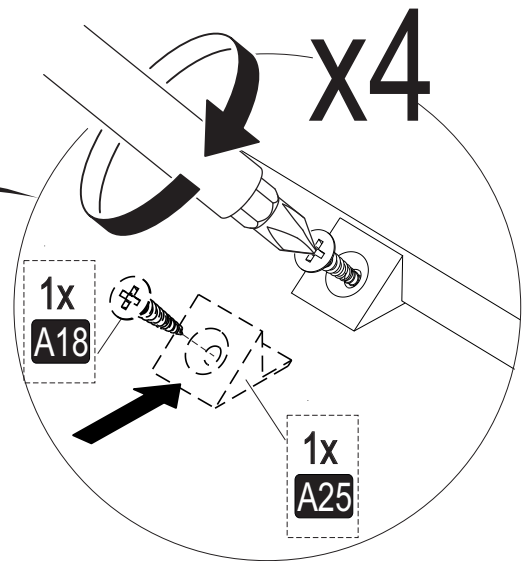
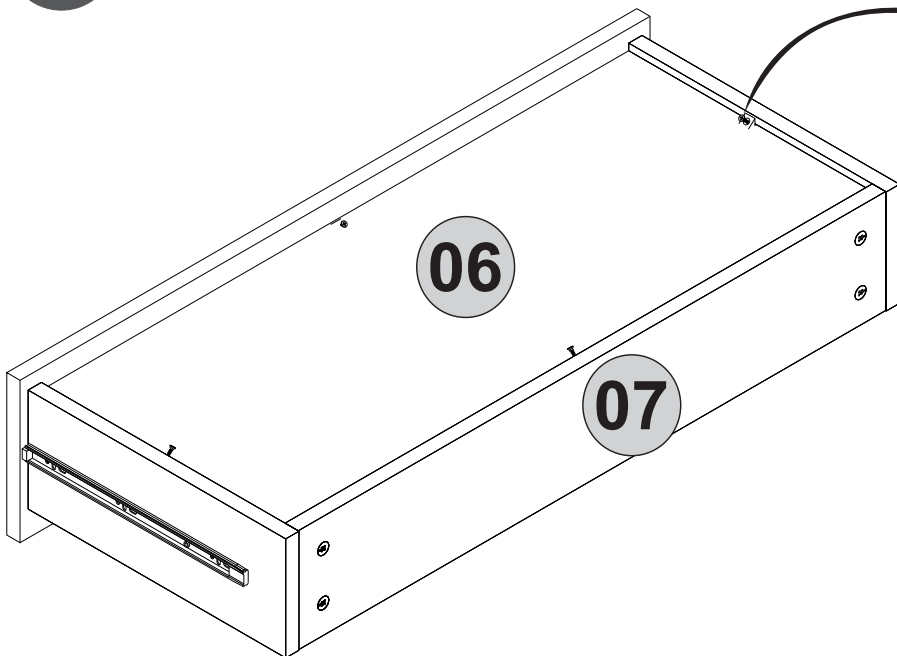
15 x3



x4



16 x3



17

