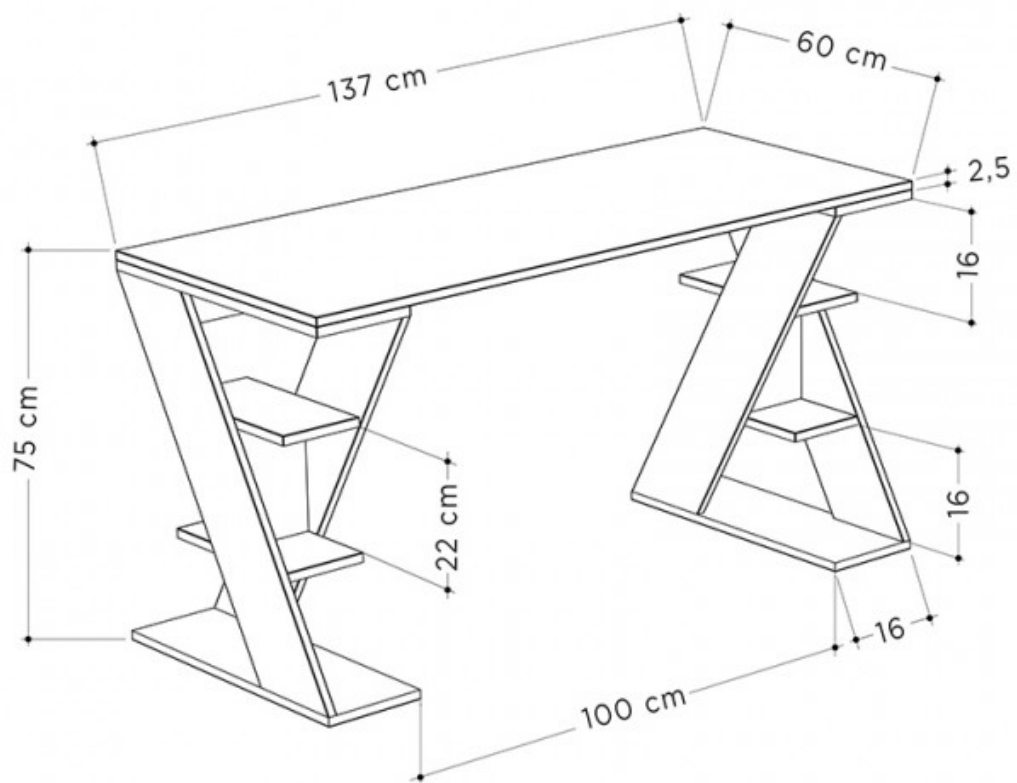
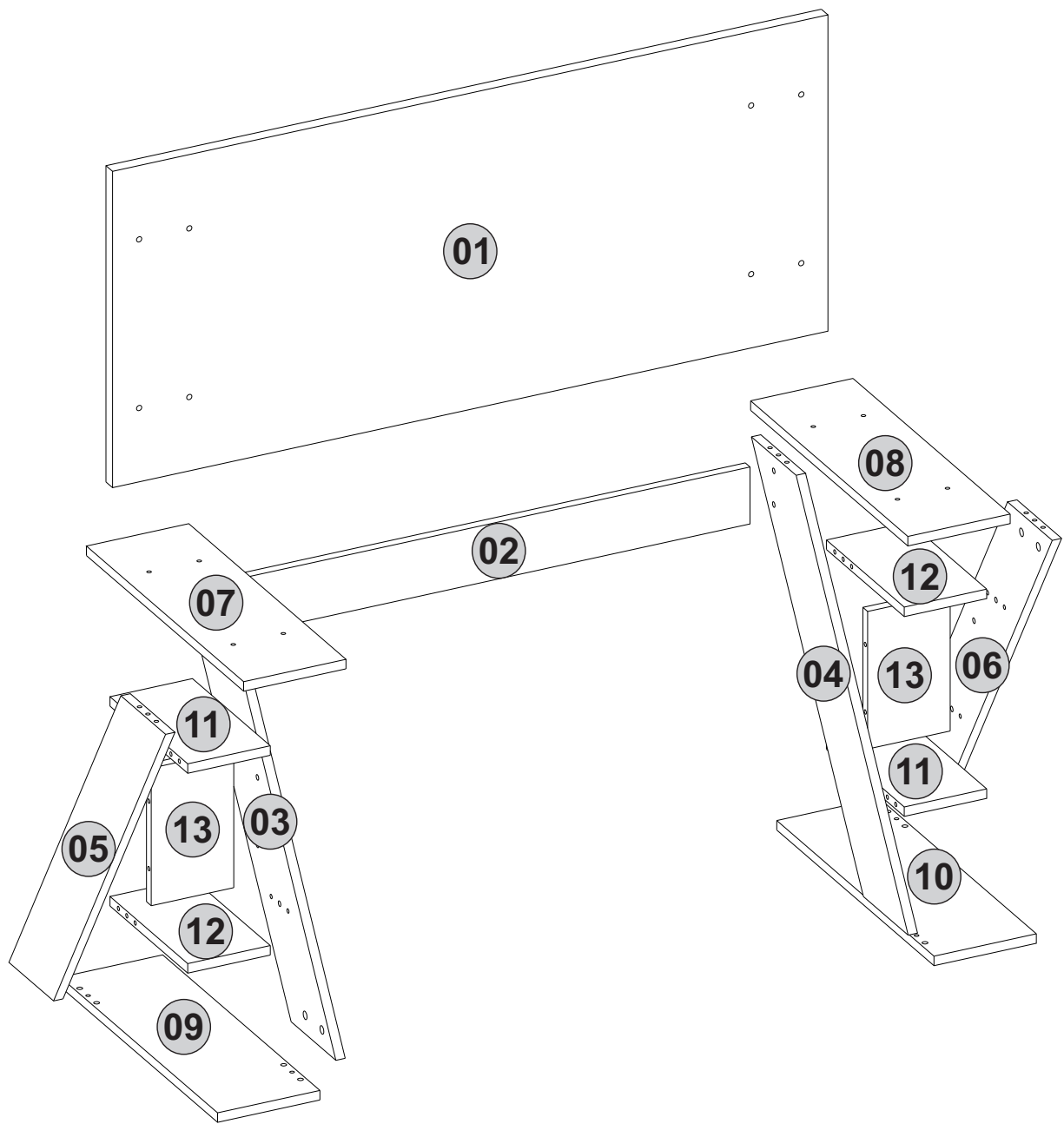




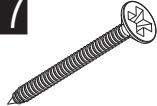

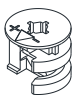


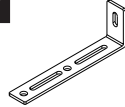

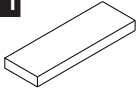


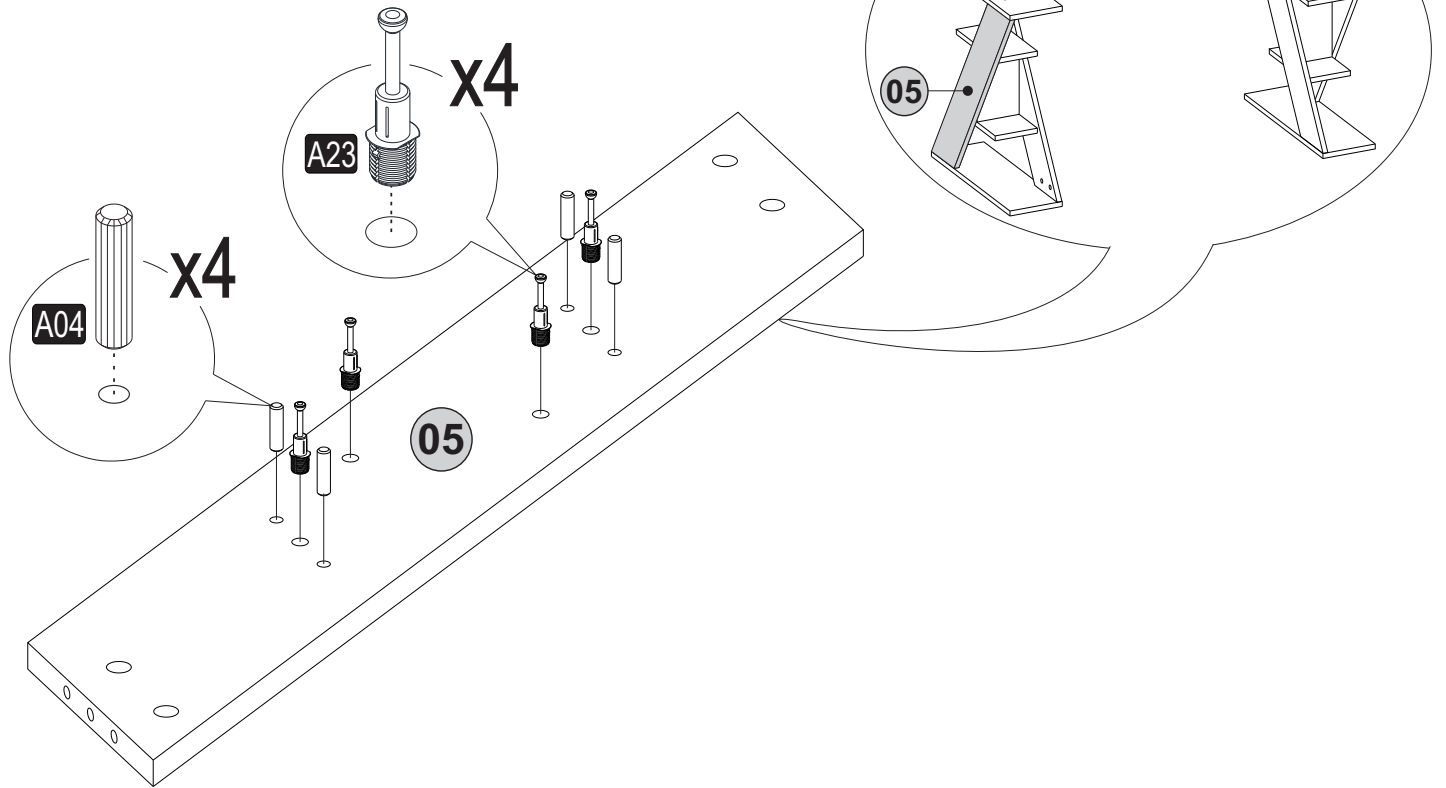
**i** GP037-0268,1



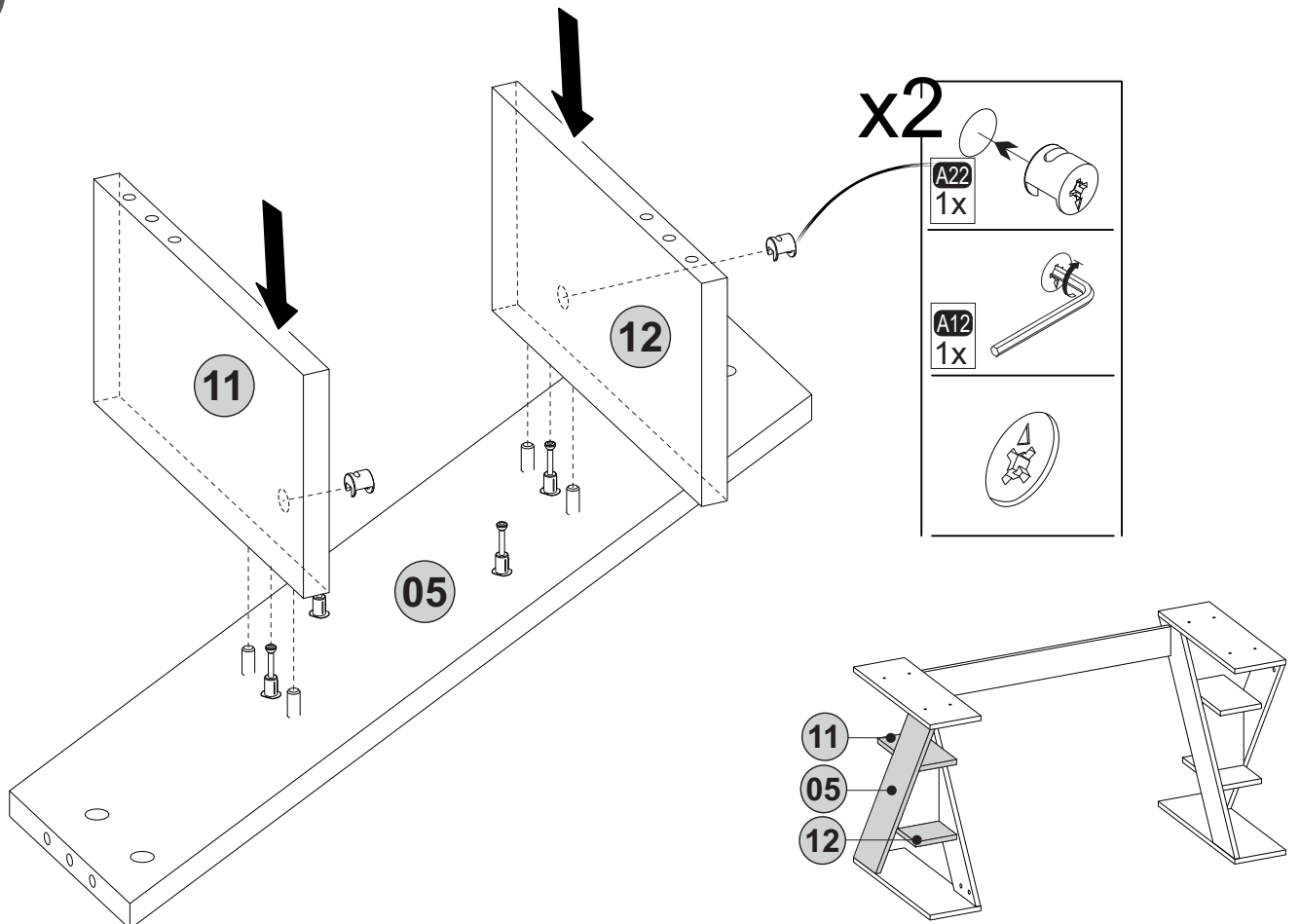


<b>A04</b>  24x	<b>A06</b>  18mm <b>C2-44x</b>	<b>A12</b>  Allen 1x	<b>A16</b>  DbØ8 2x	<b>A17</b>  4x50 2x
<b>A18</b>  3,5x18 4x	<b>A22</b>  Minifix k18 36x	<b>A23</b>  Minifix M10 36x	<b>A69</b>  P.D. 8x	<b>A87</b>  15x90x30 2x
<b>B03</b>  25mm 8x	<b>PB01</b>  Kece 8x			

1

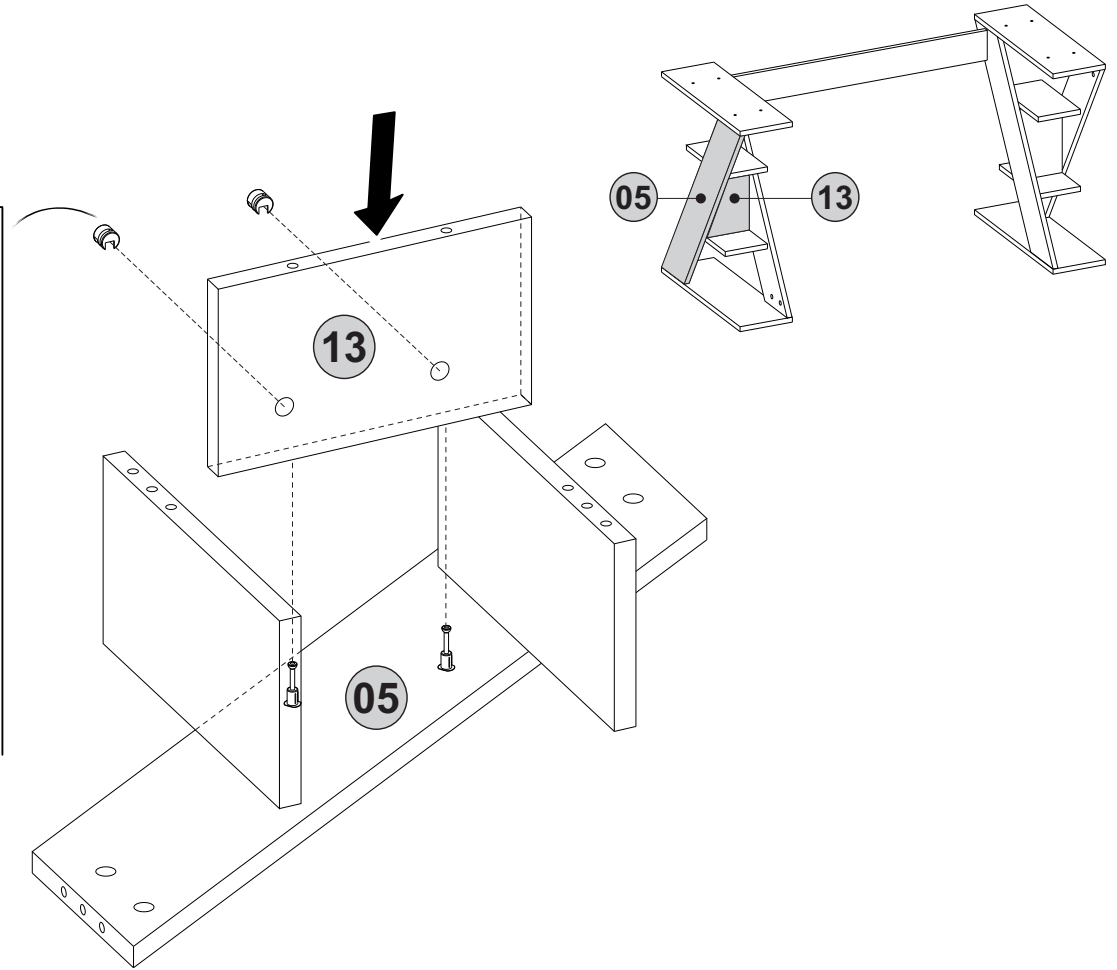
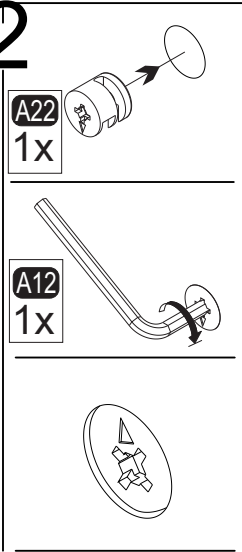


2



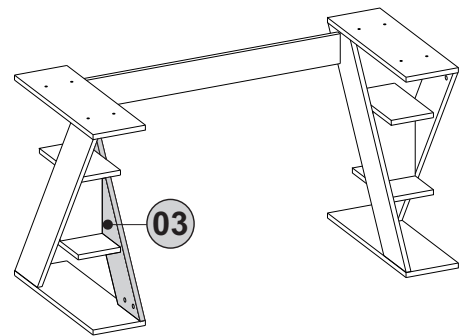
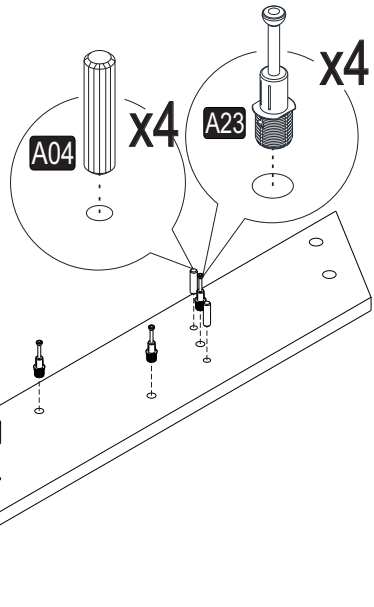
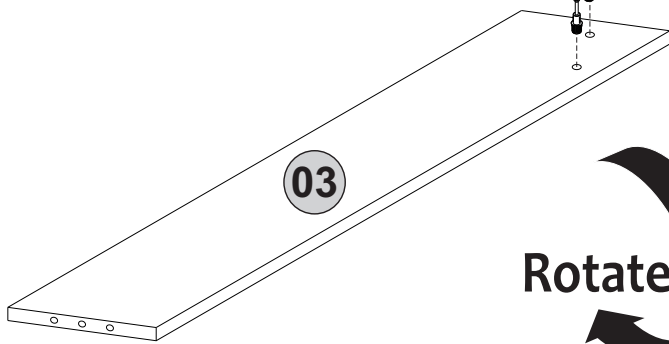
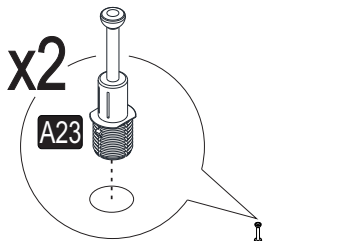
3

x2

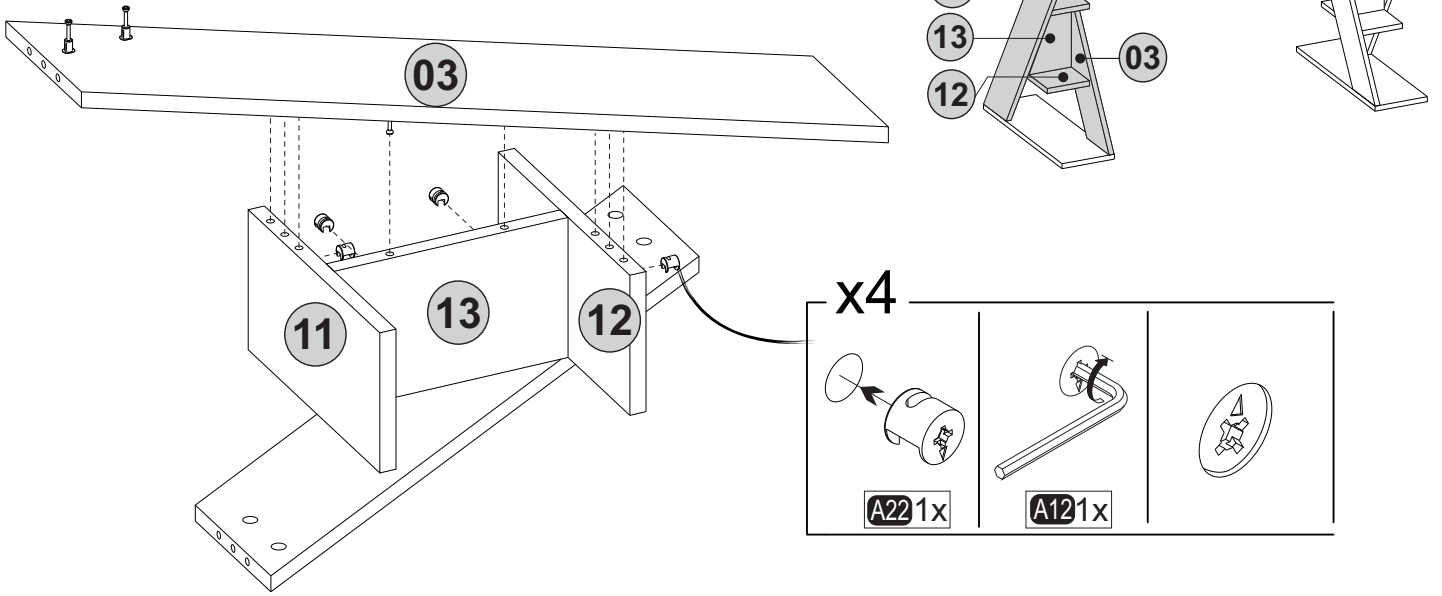


4

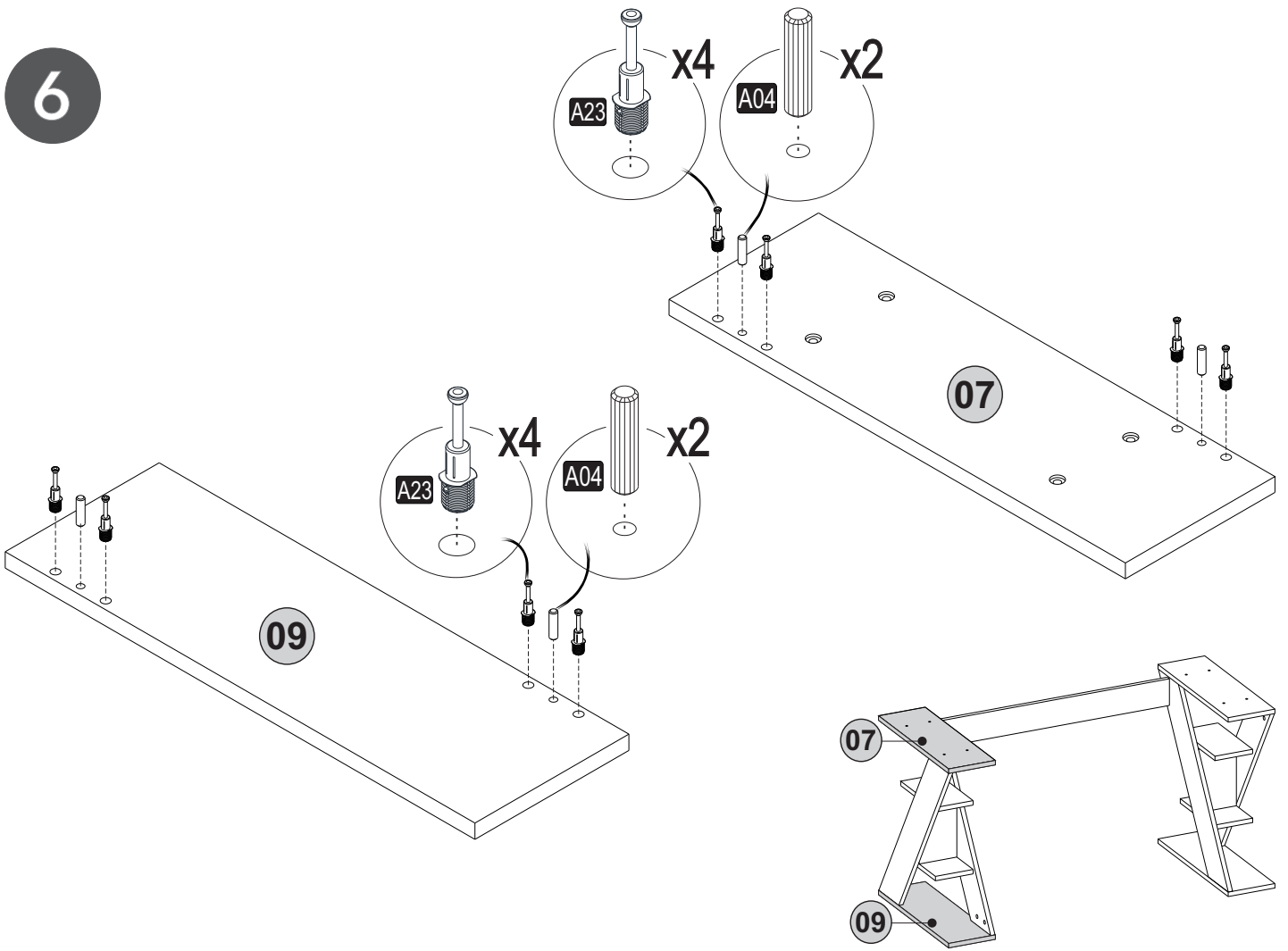
x2



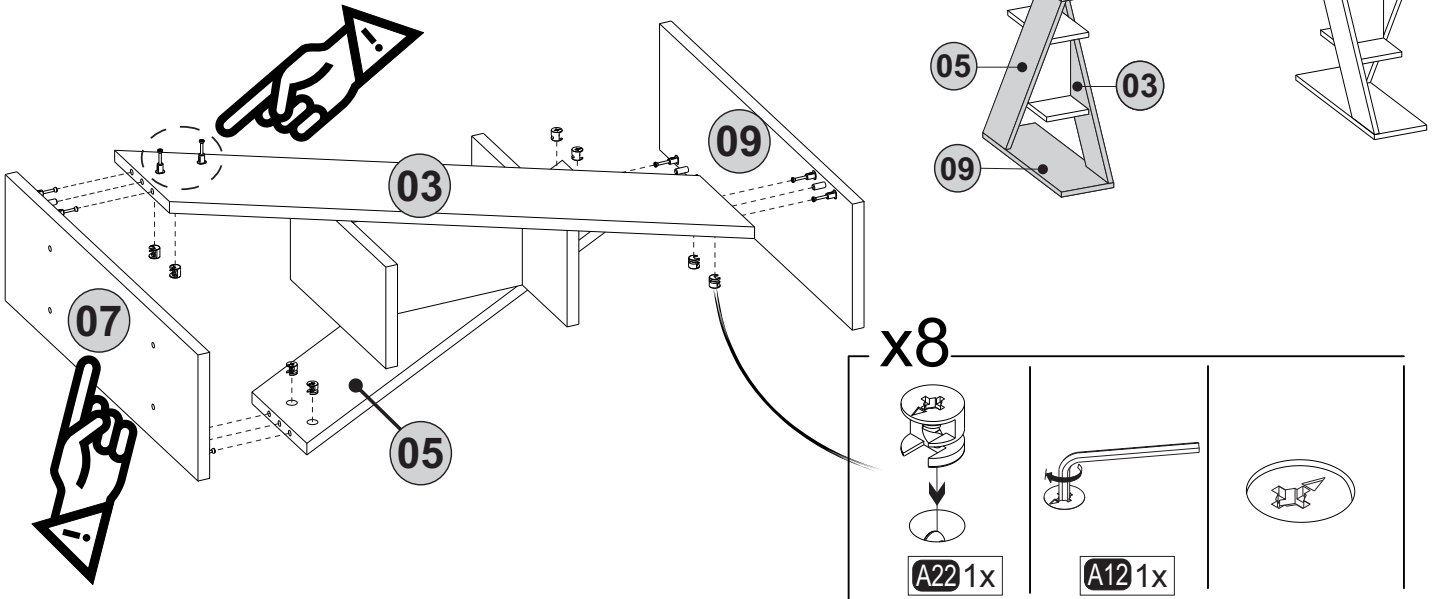
5



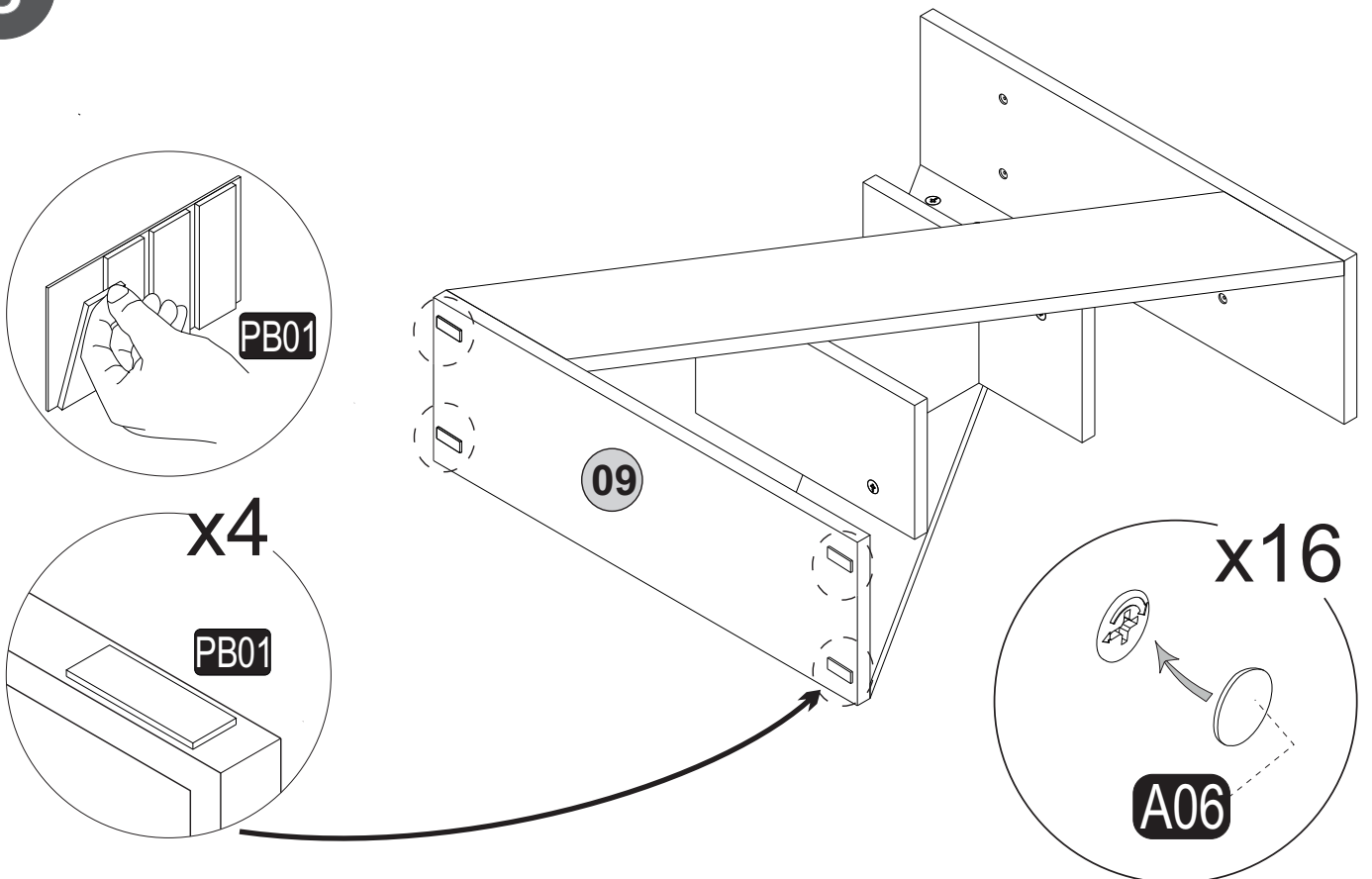
6



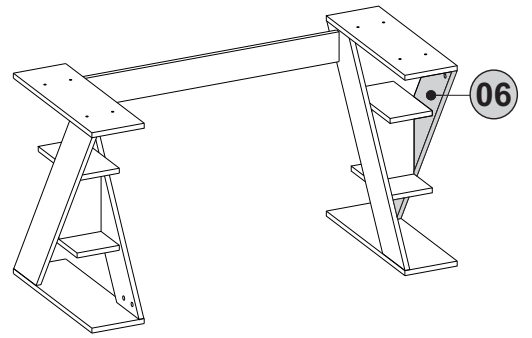
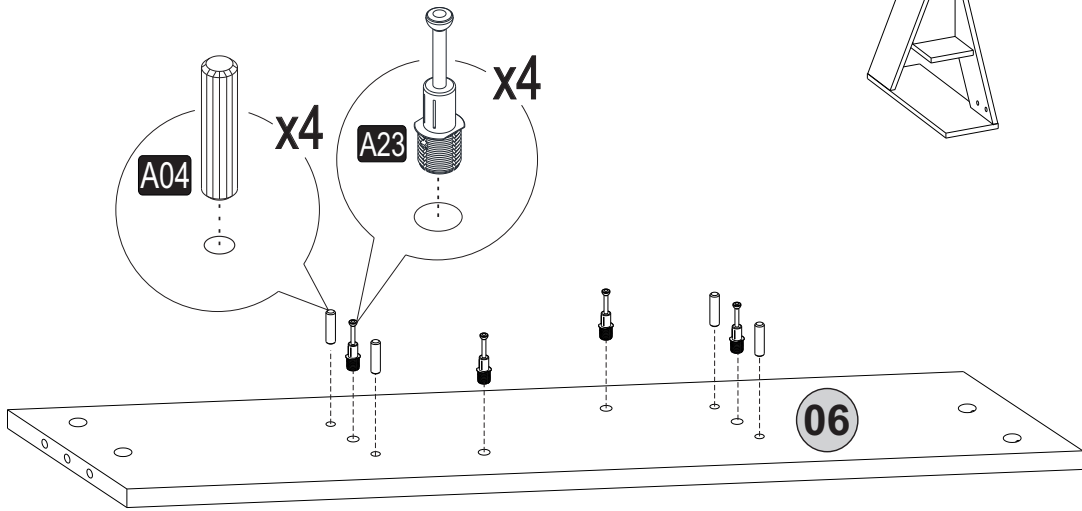
7



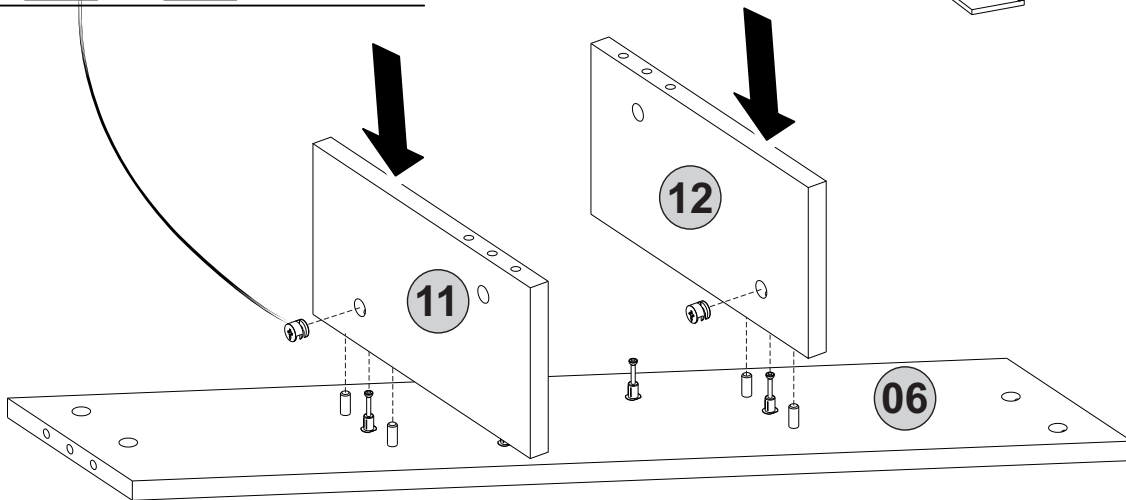
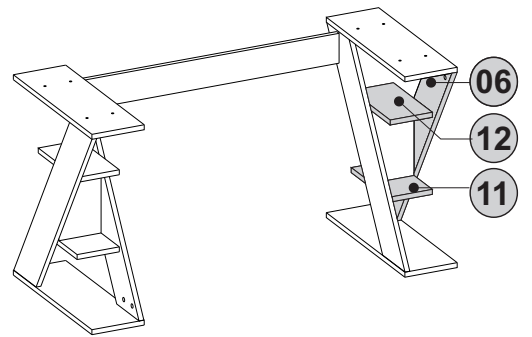
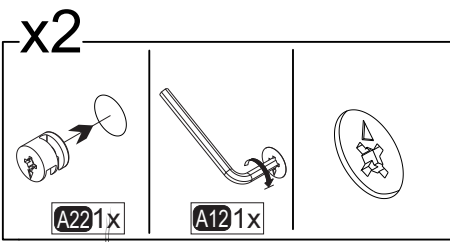
8



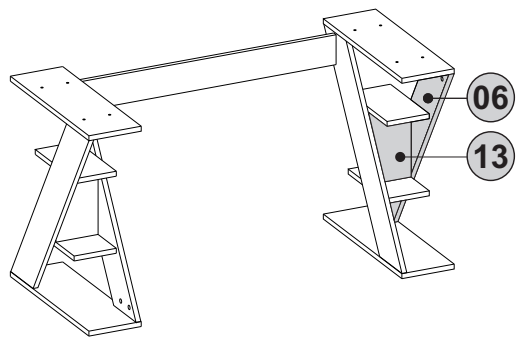
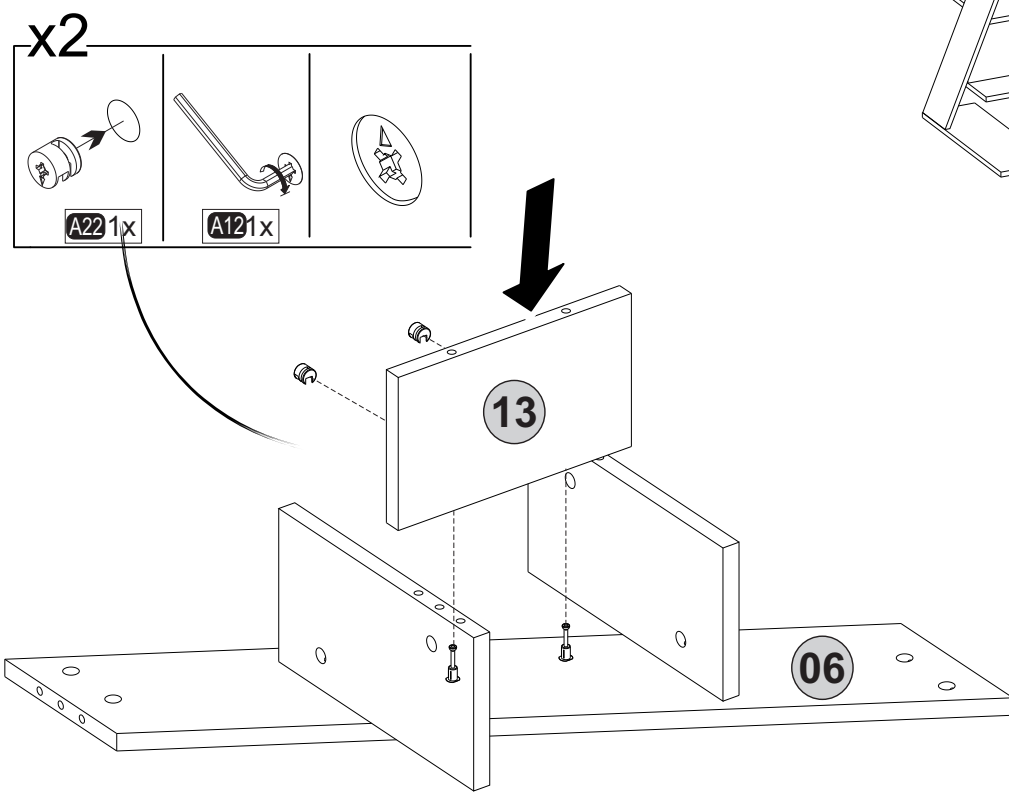
9



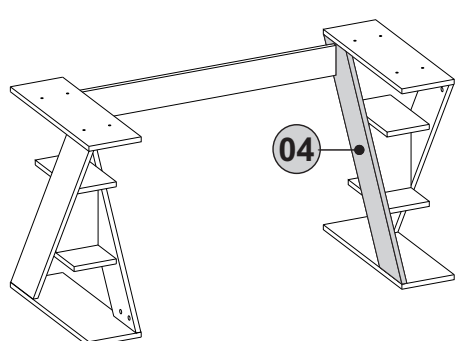
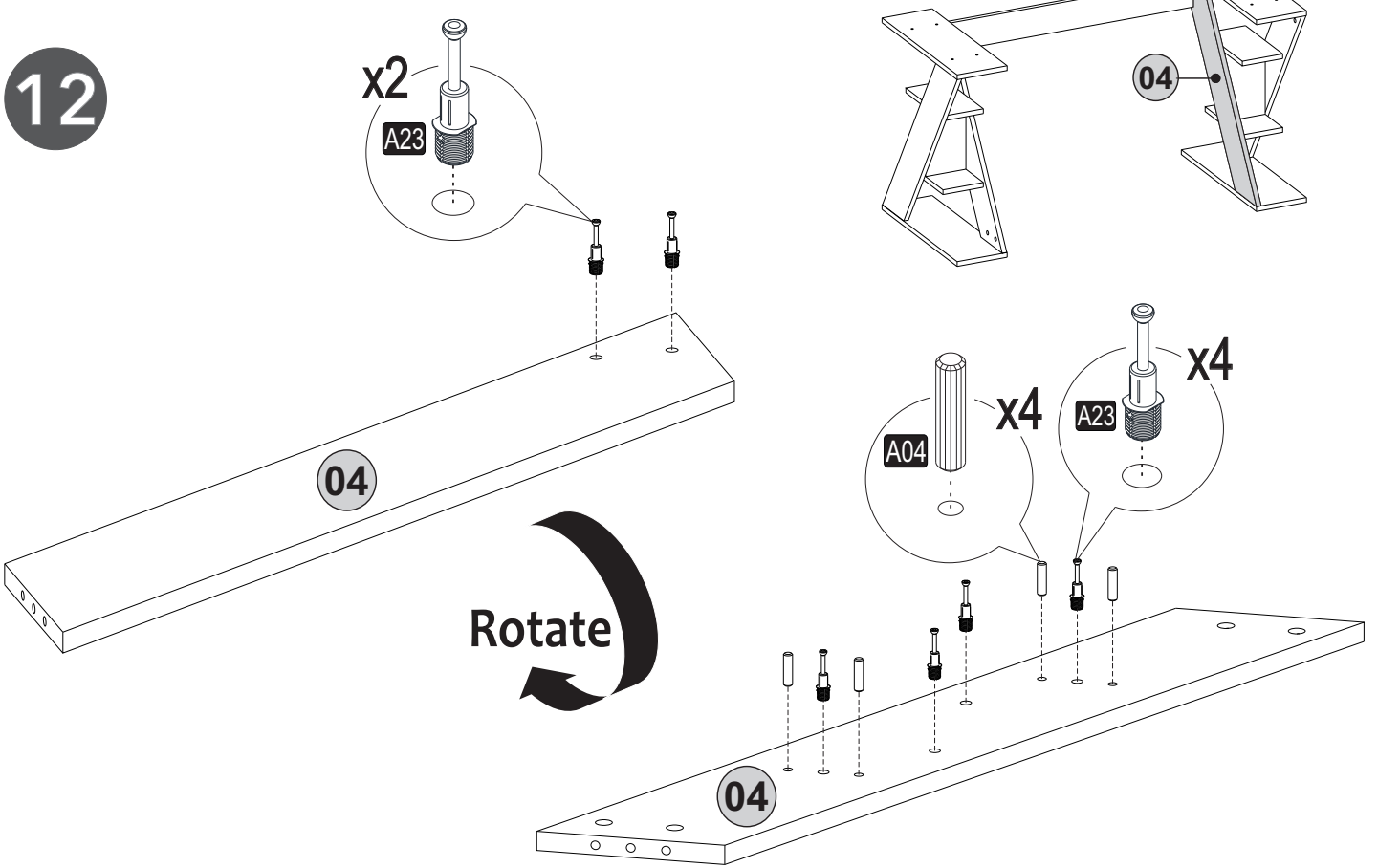
10



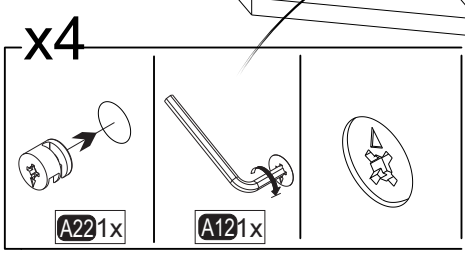
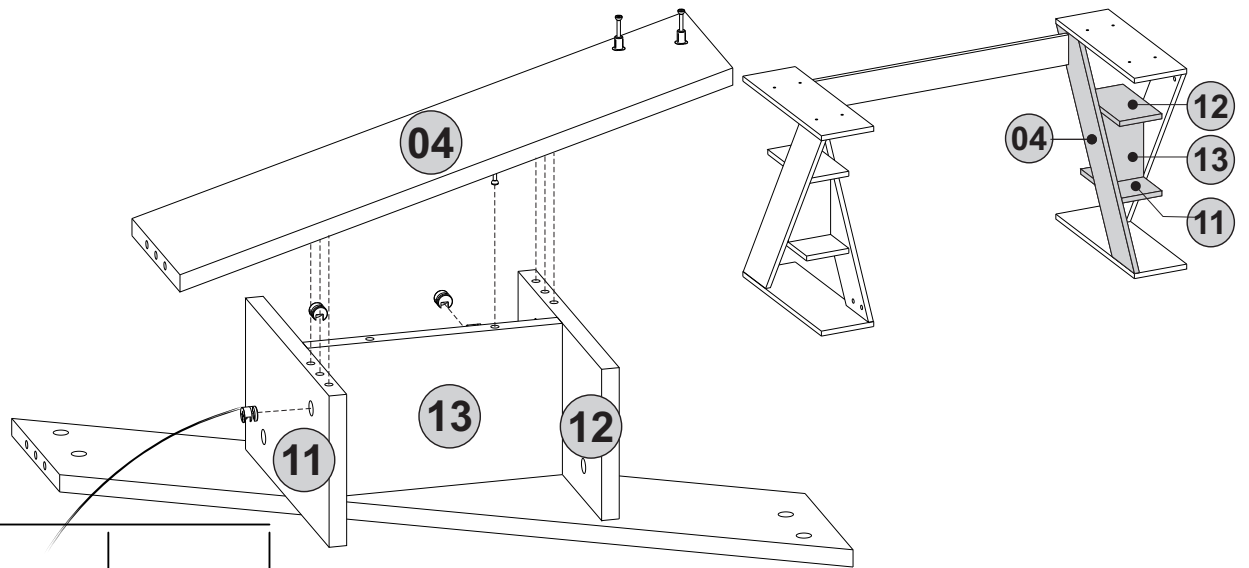
11



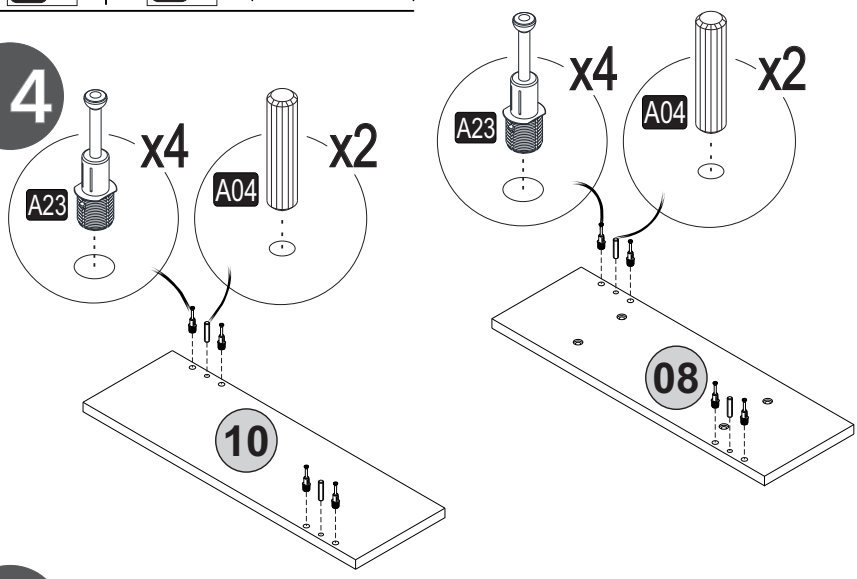
12



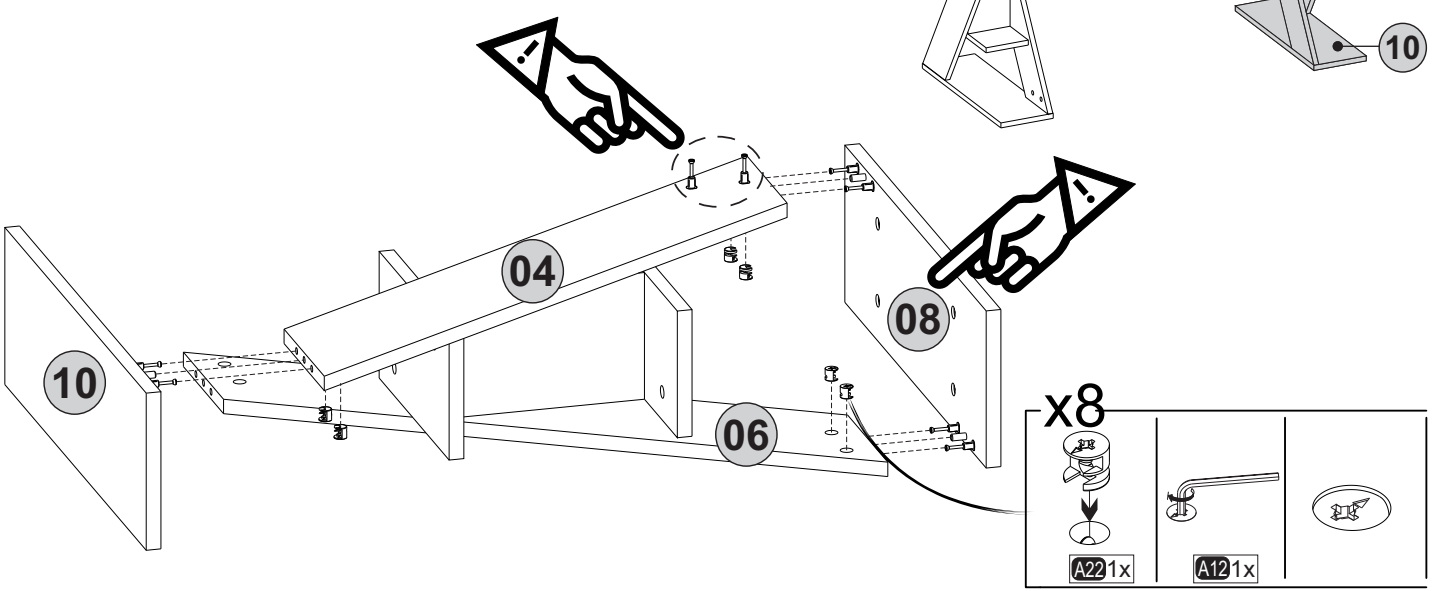
# 13



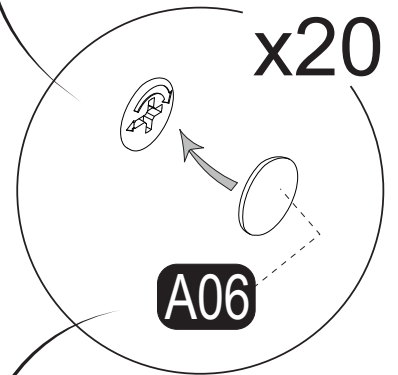
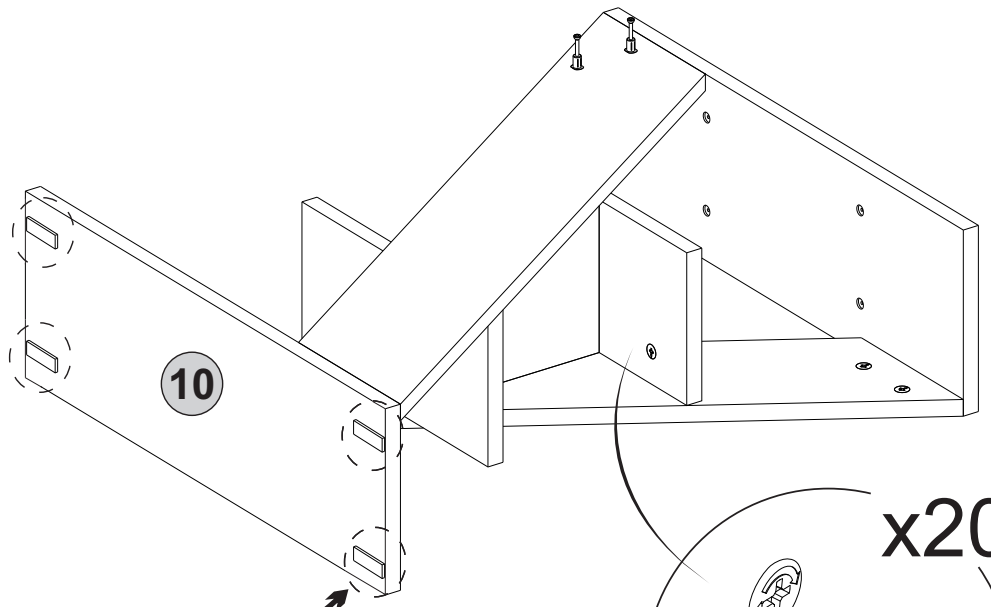
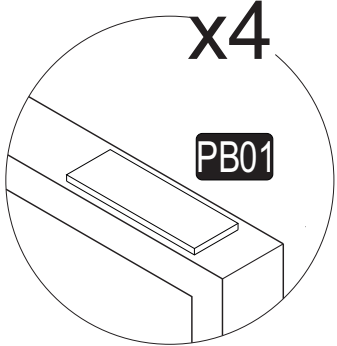
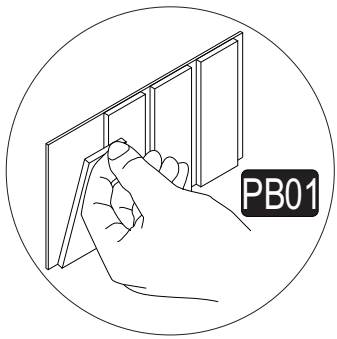
# 14



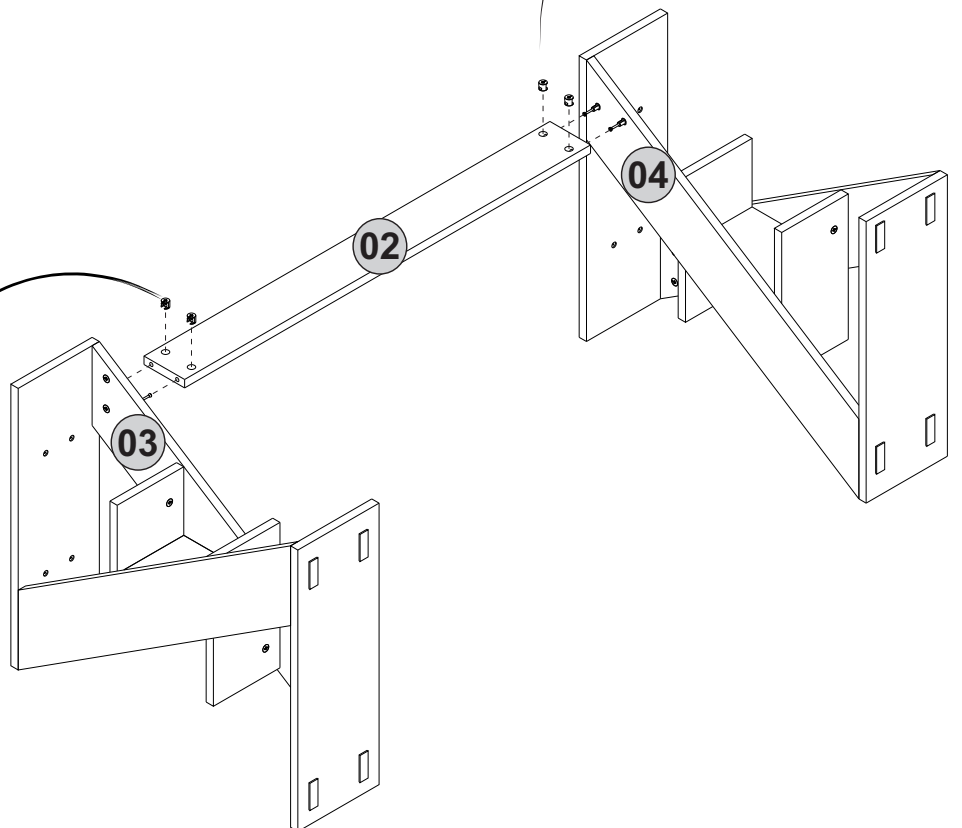
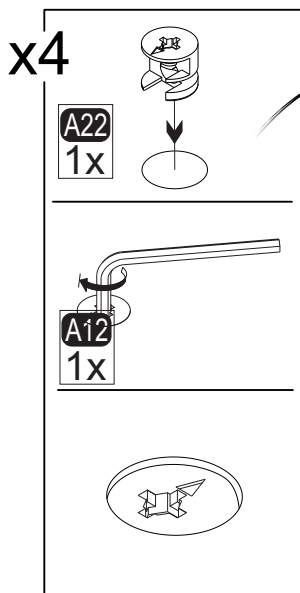
# 15



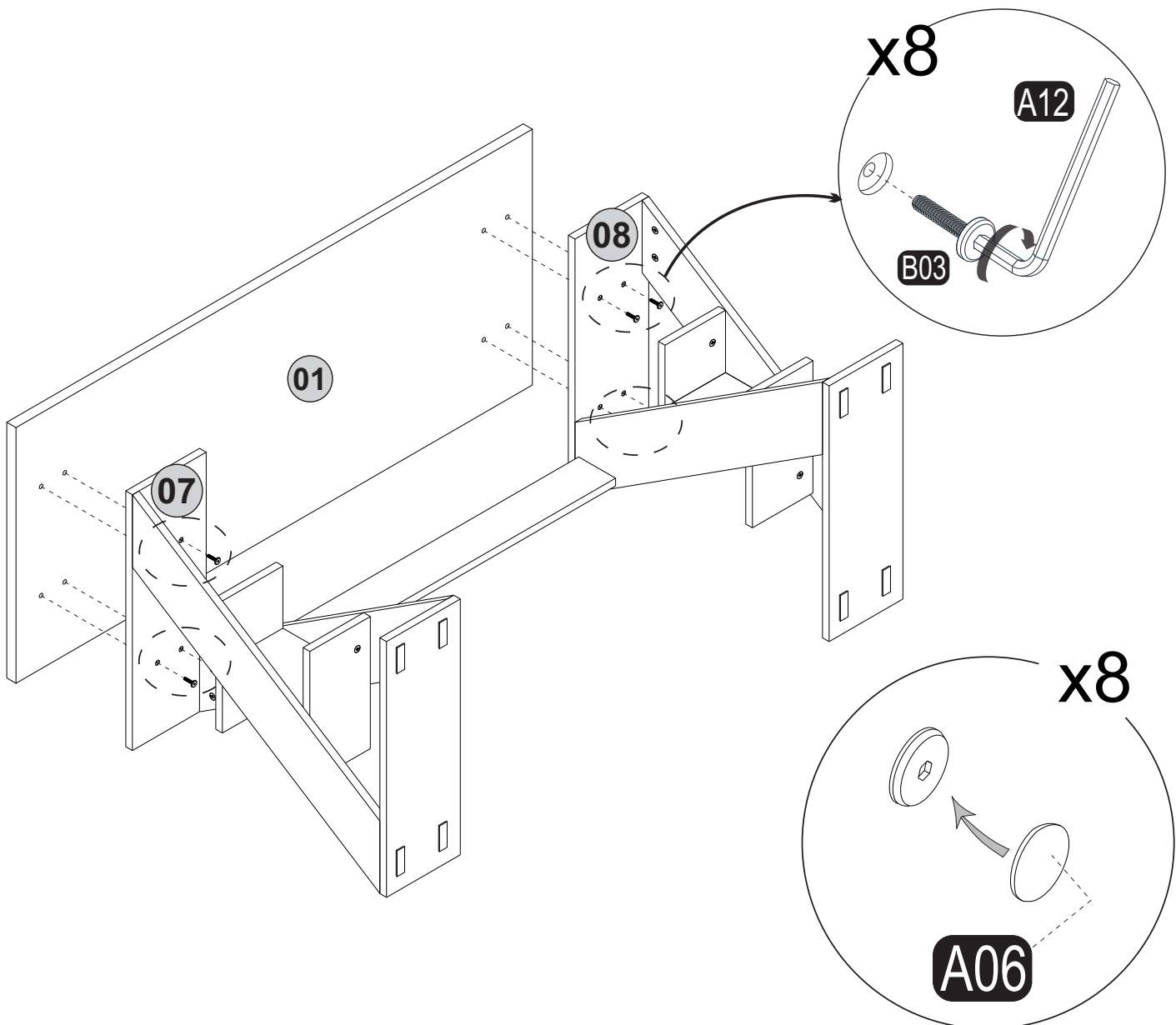
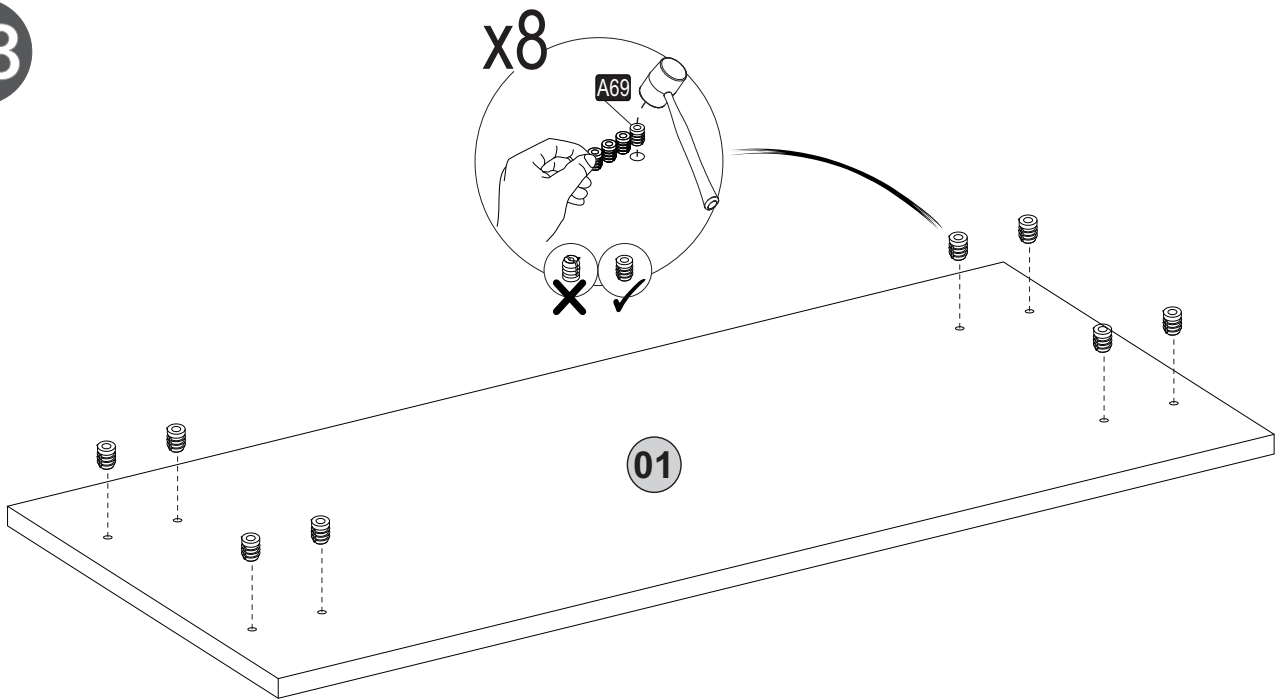
16



17



18



19

