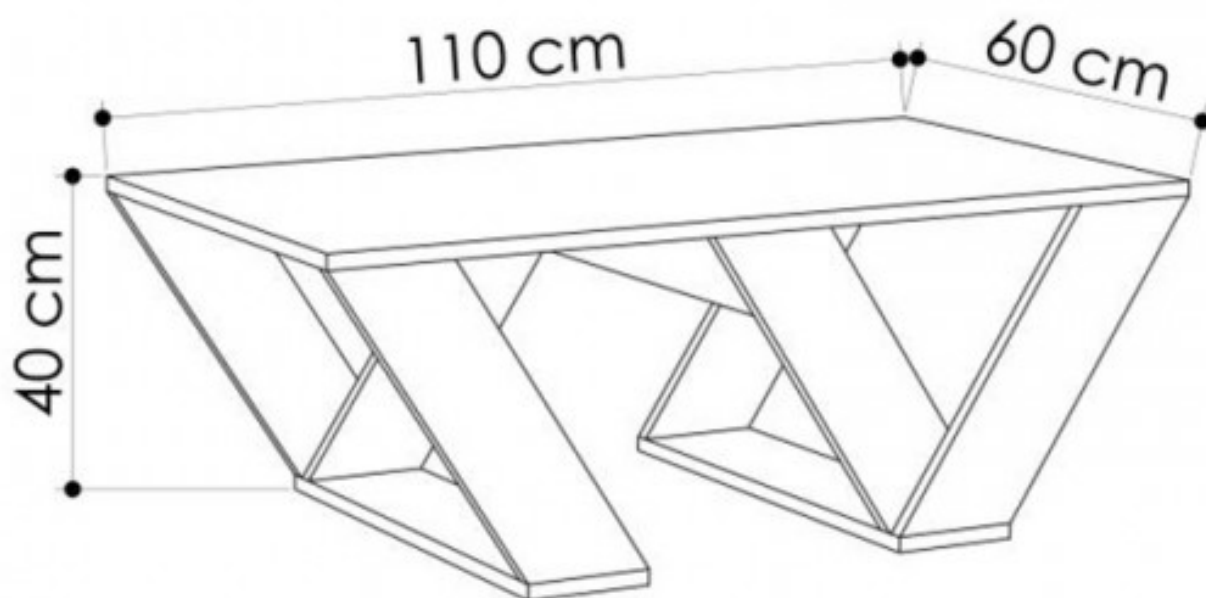
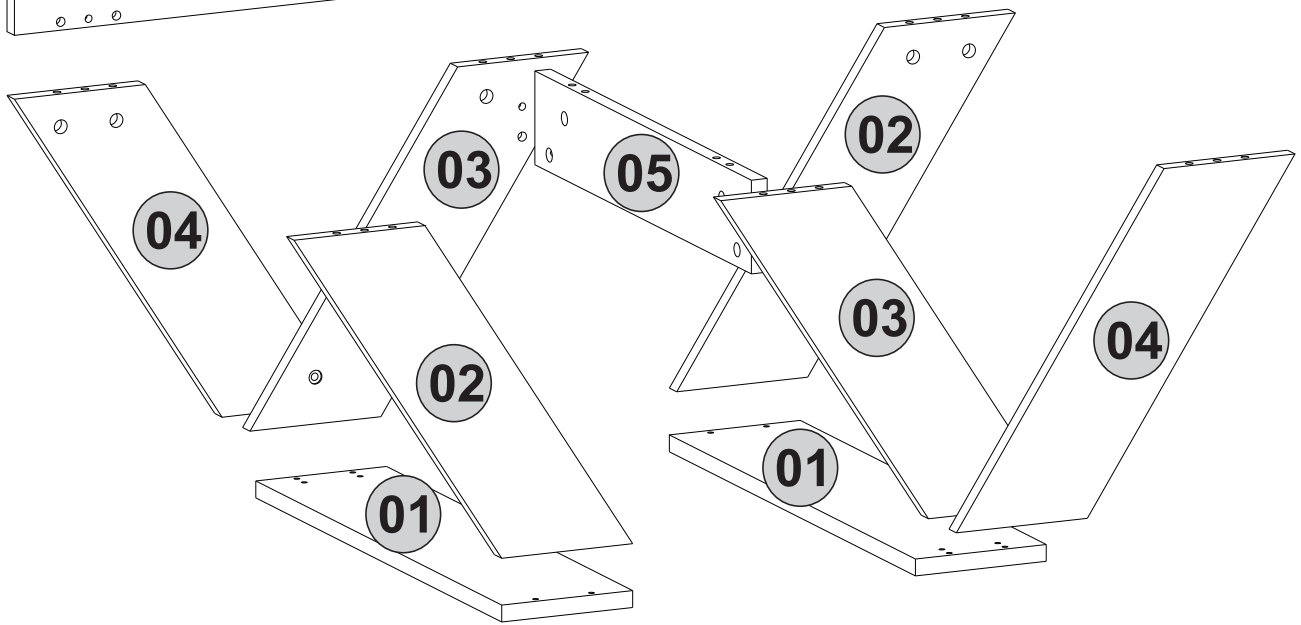
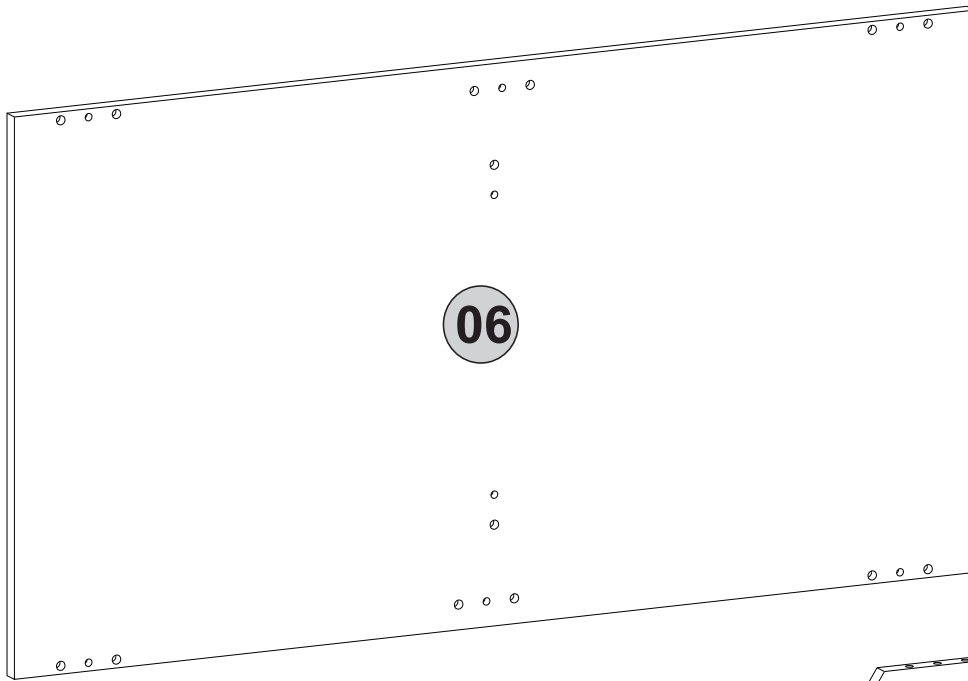




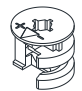
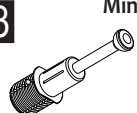
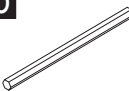


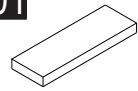


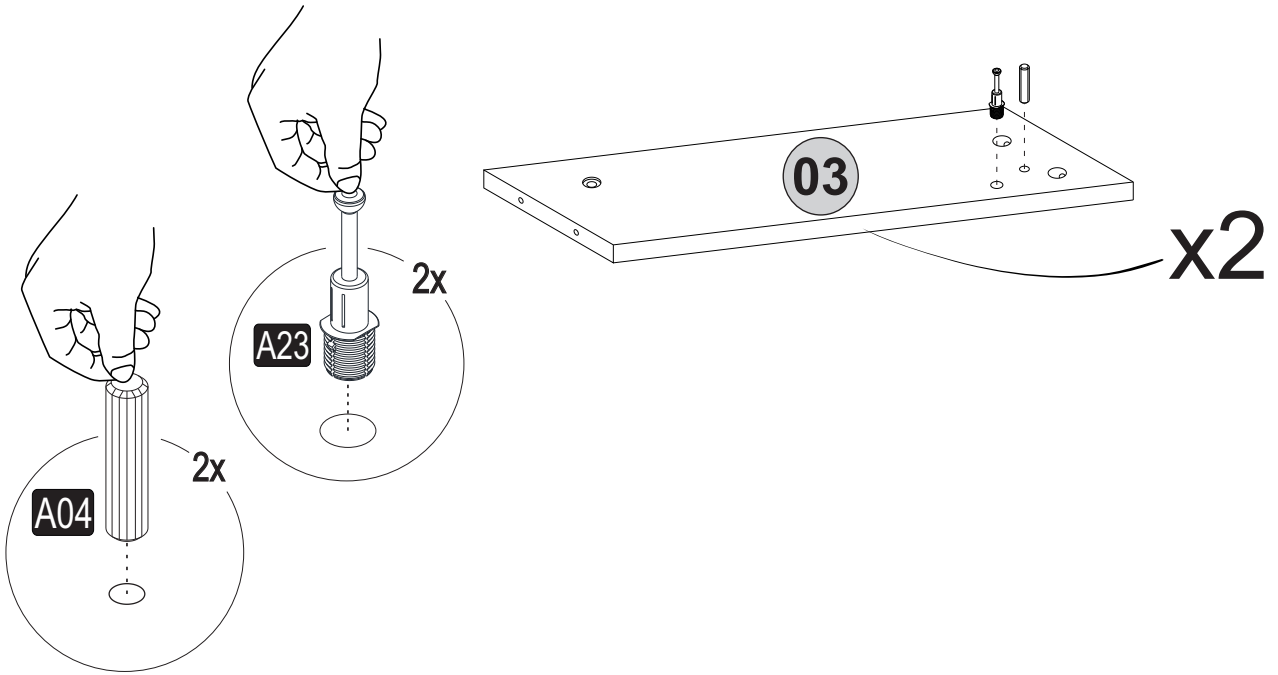
**i** GP037-0269,1



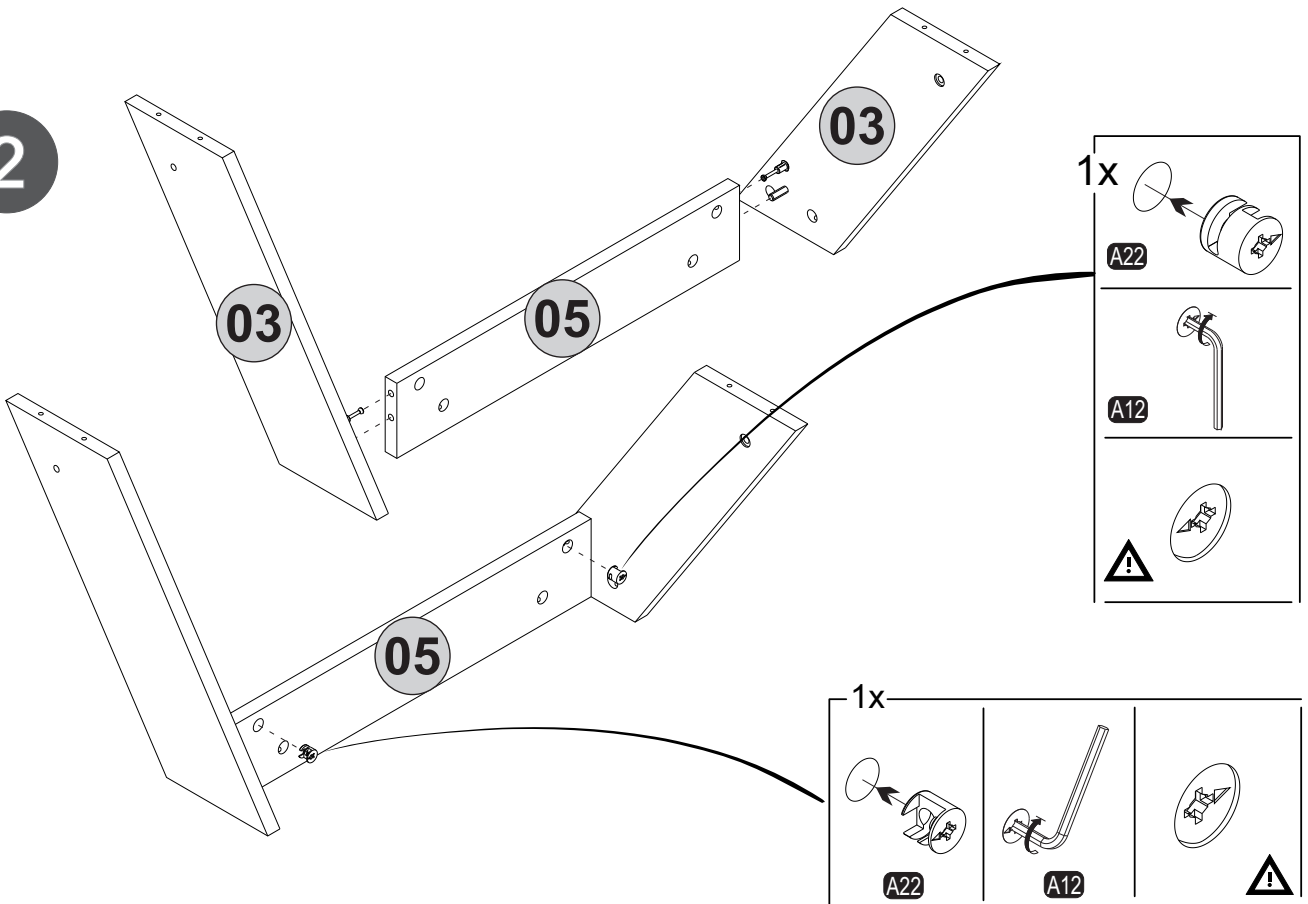


<b>A04</b>  Ø8x30 <b>10x</b>	<b>A06</b>  18mm <b>C1-30x</b>	<b>A12</b>  Allen <b>1x</b>	<b>A13</b>  50mm <b>12x</b>	<b>A22</b>  Minifix k18 <b>16x</b>
<b>A23</b>  Minifix M10 <b>16x</b>	<b>A26</b>  Allen <b>1x</b>	<b>A69</b>  P.D. <b>2x</b>	<b>B03</b>  25 mm <b>2x</b>	<b>PB01</b>  Kece <b>4x</b>

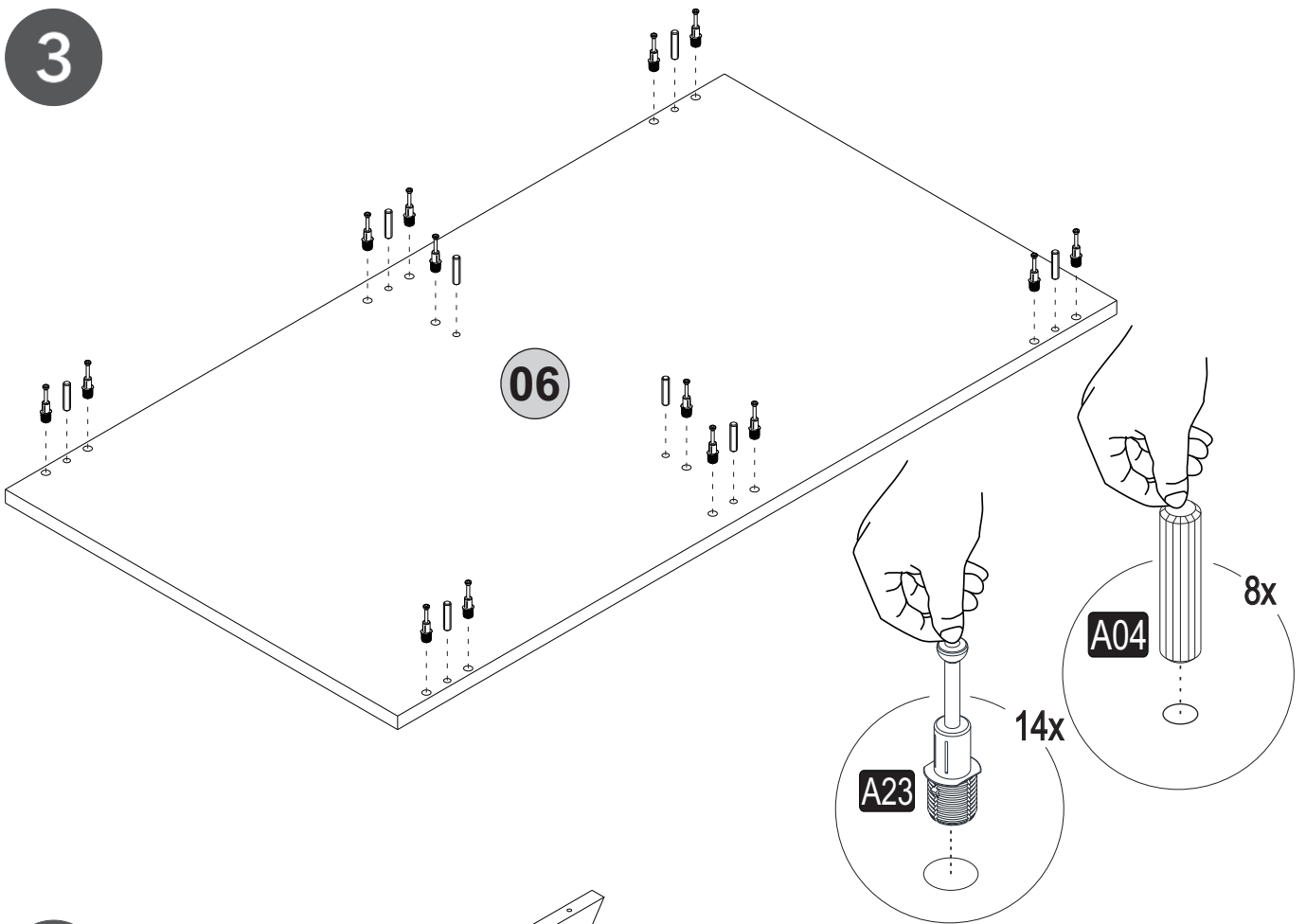
1



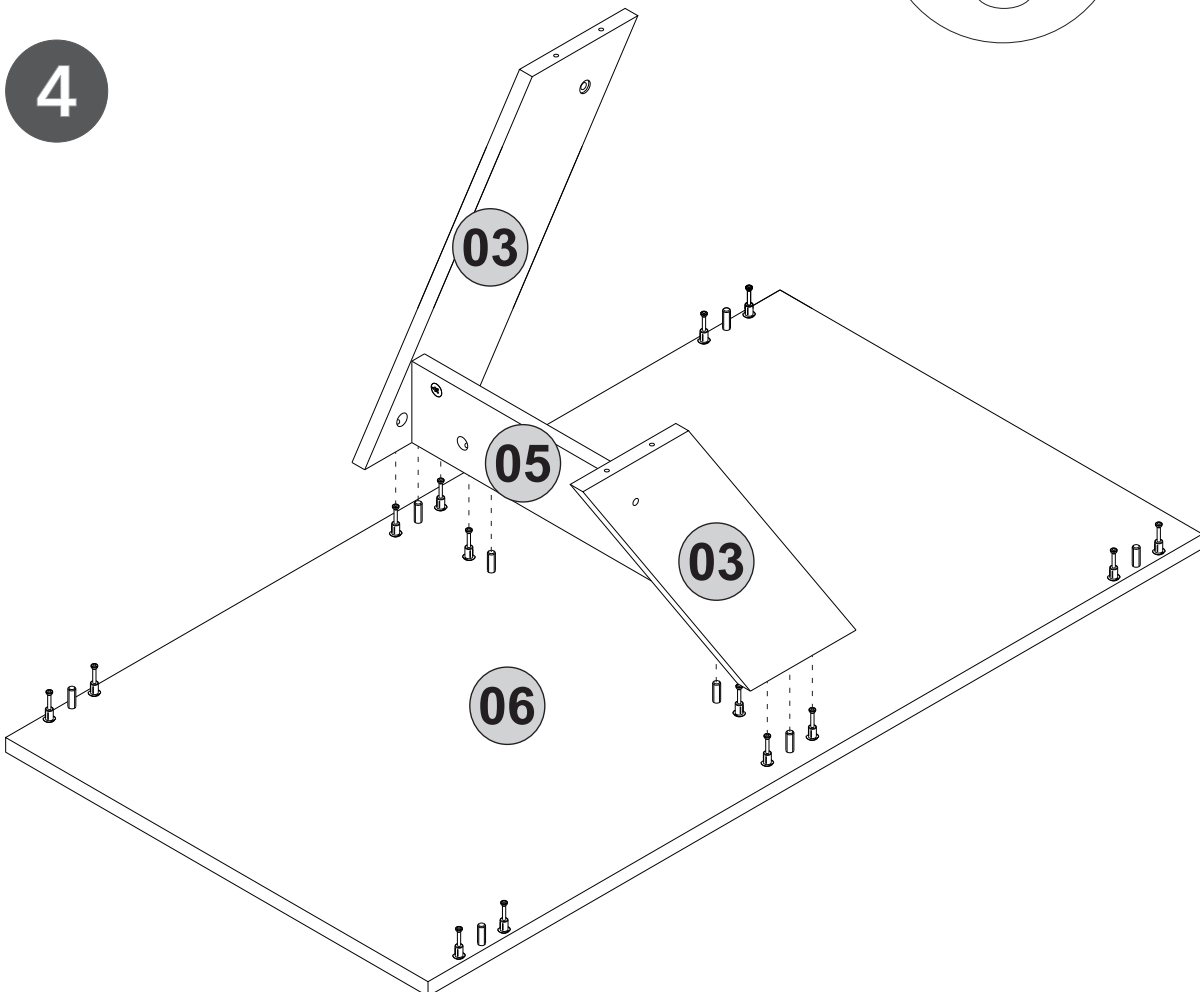
2



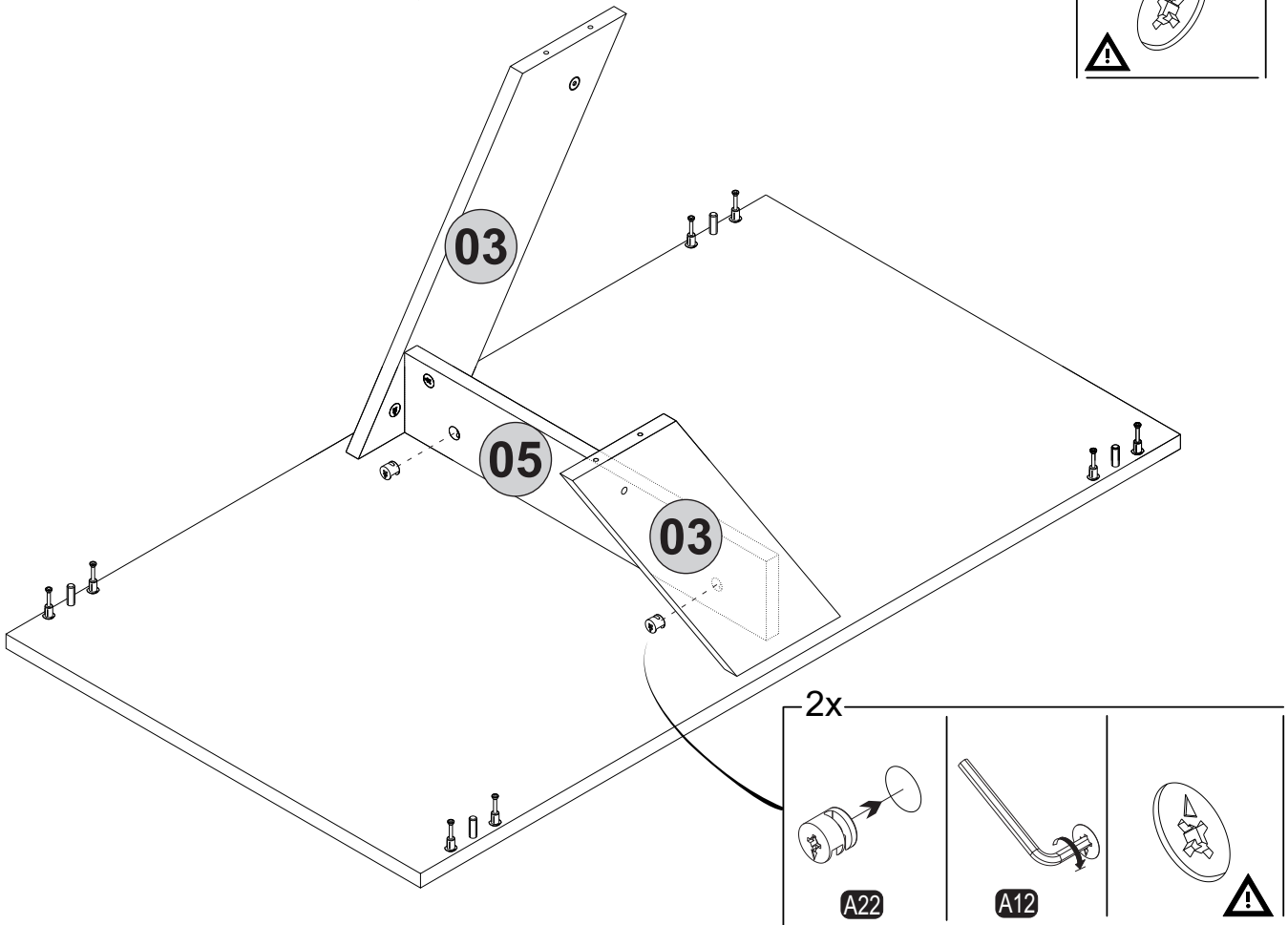
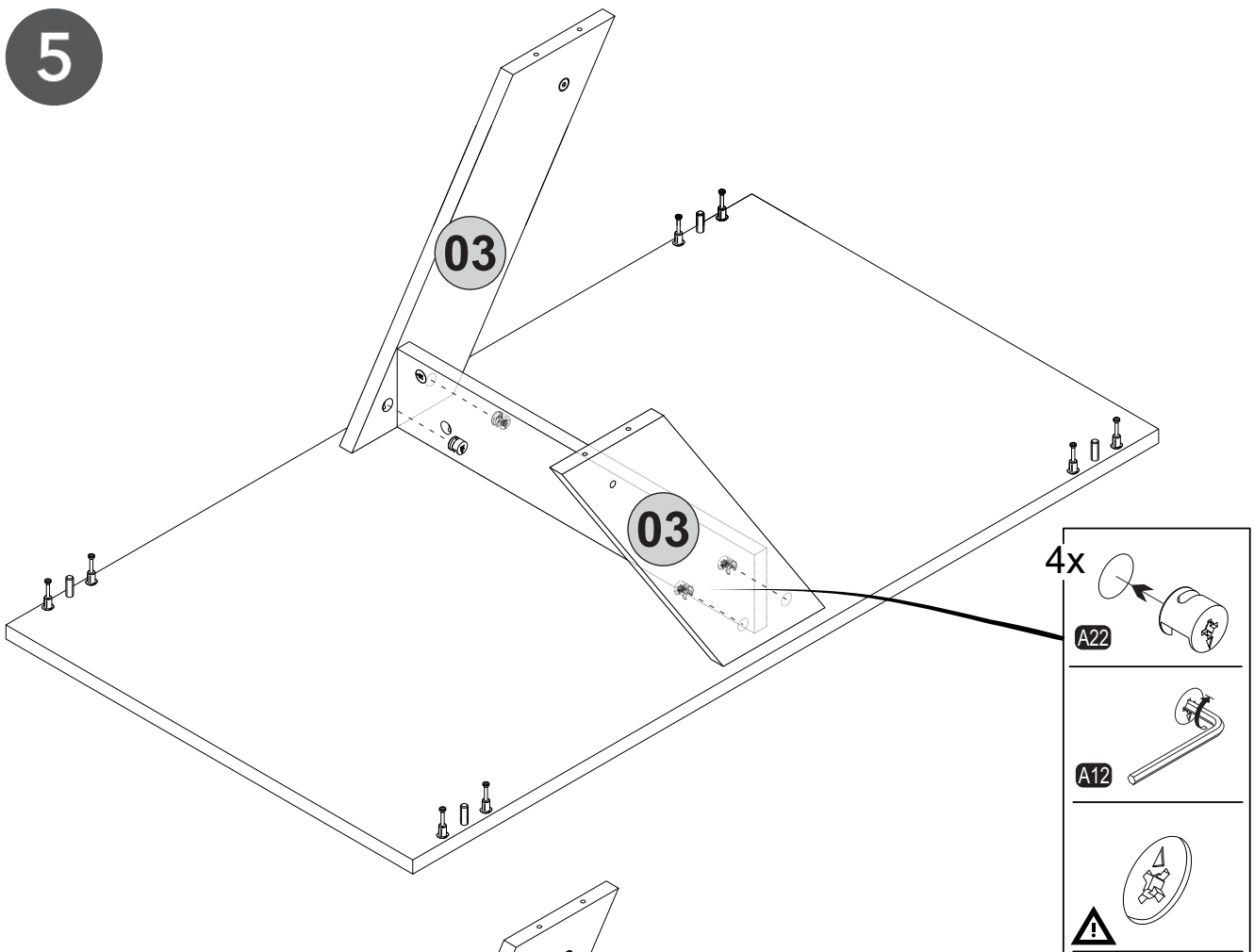
3



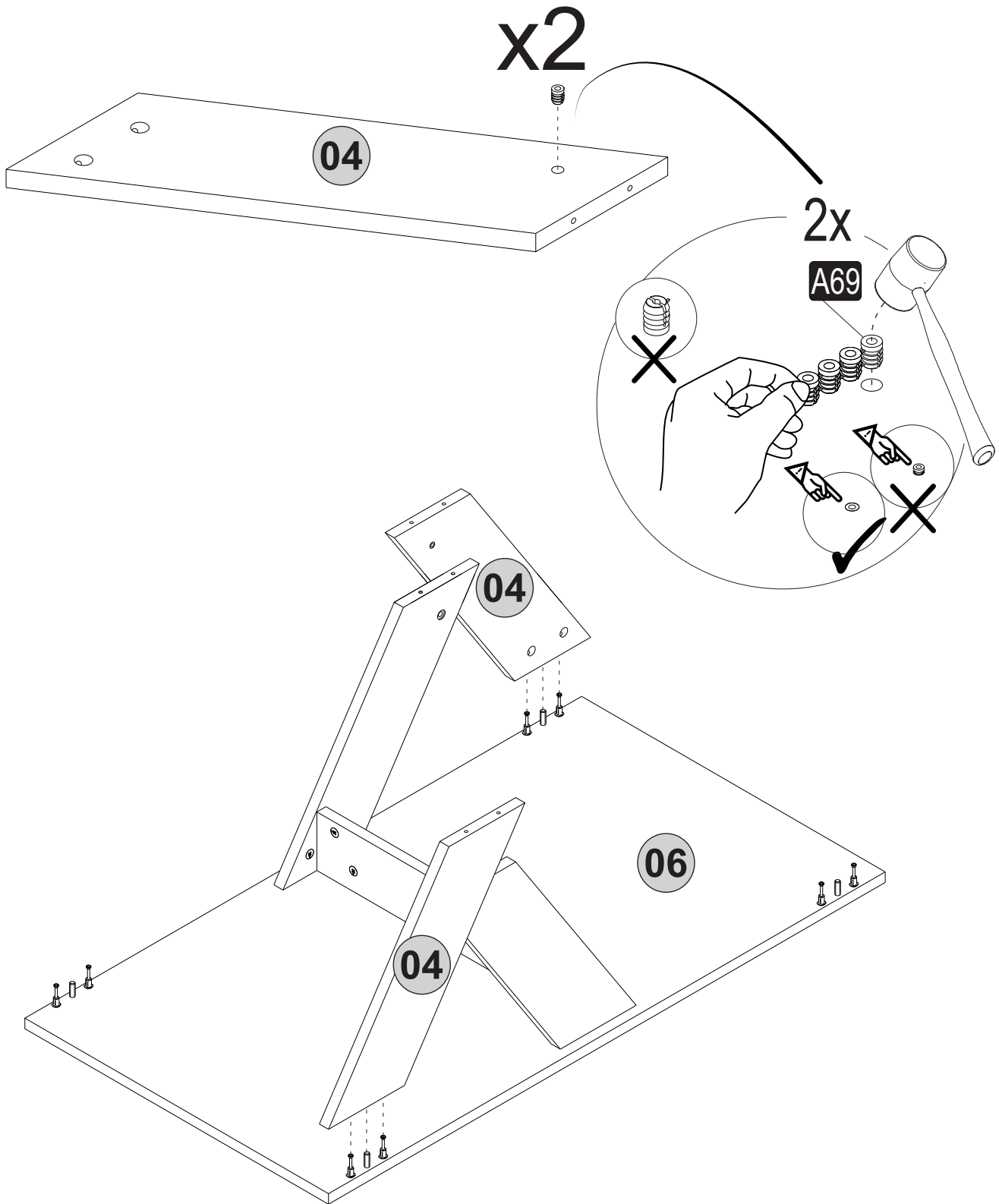
4



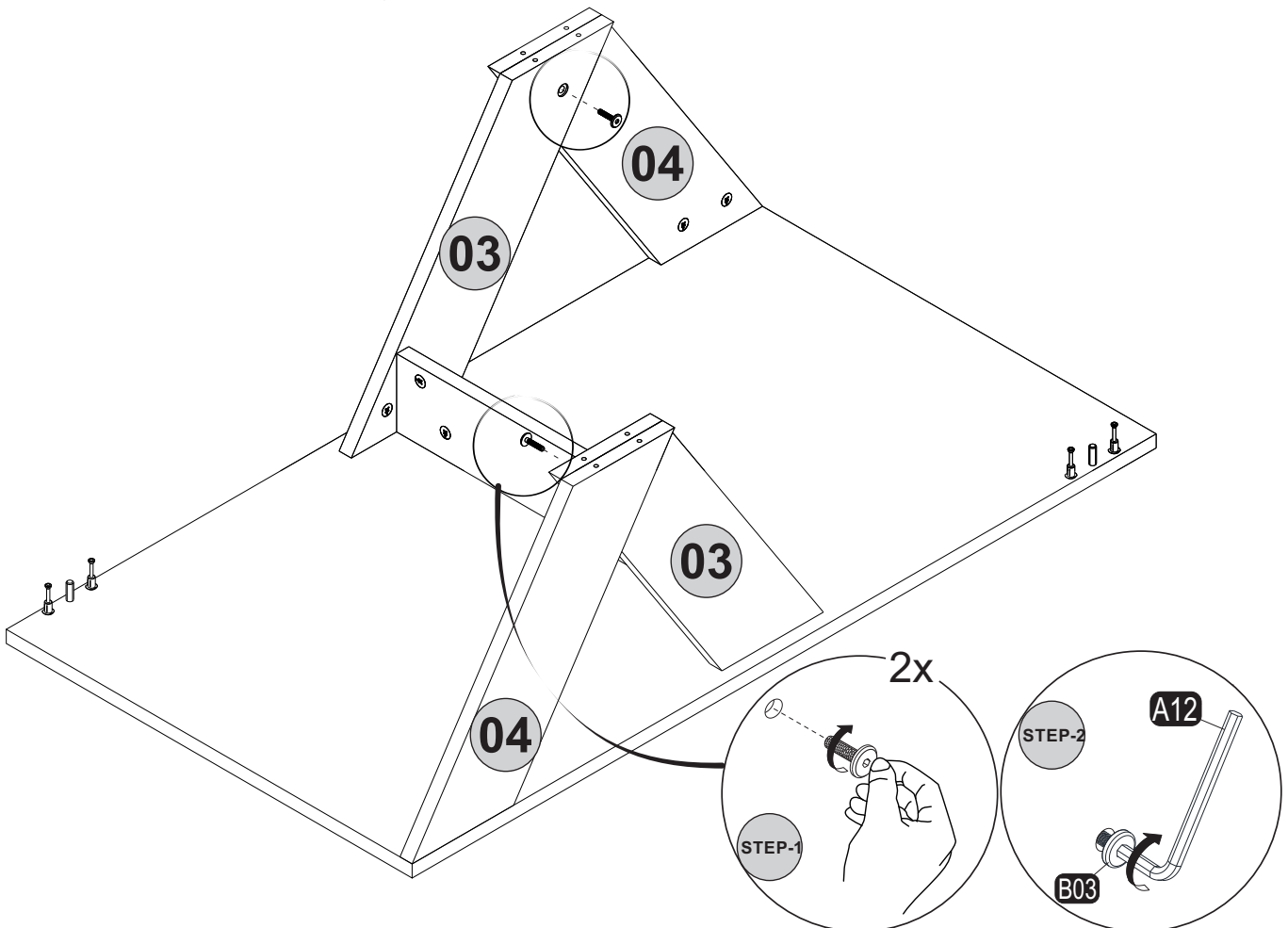
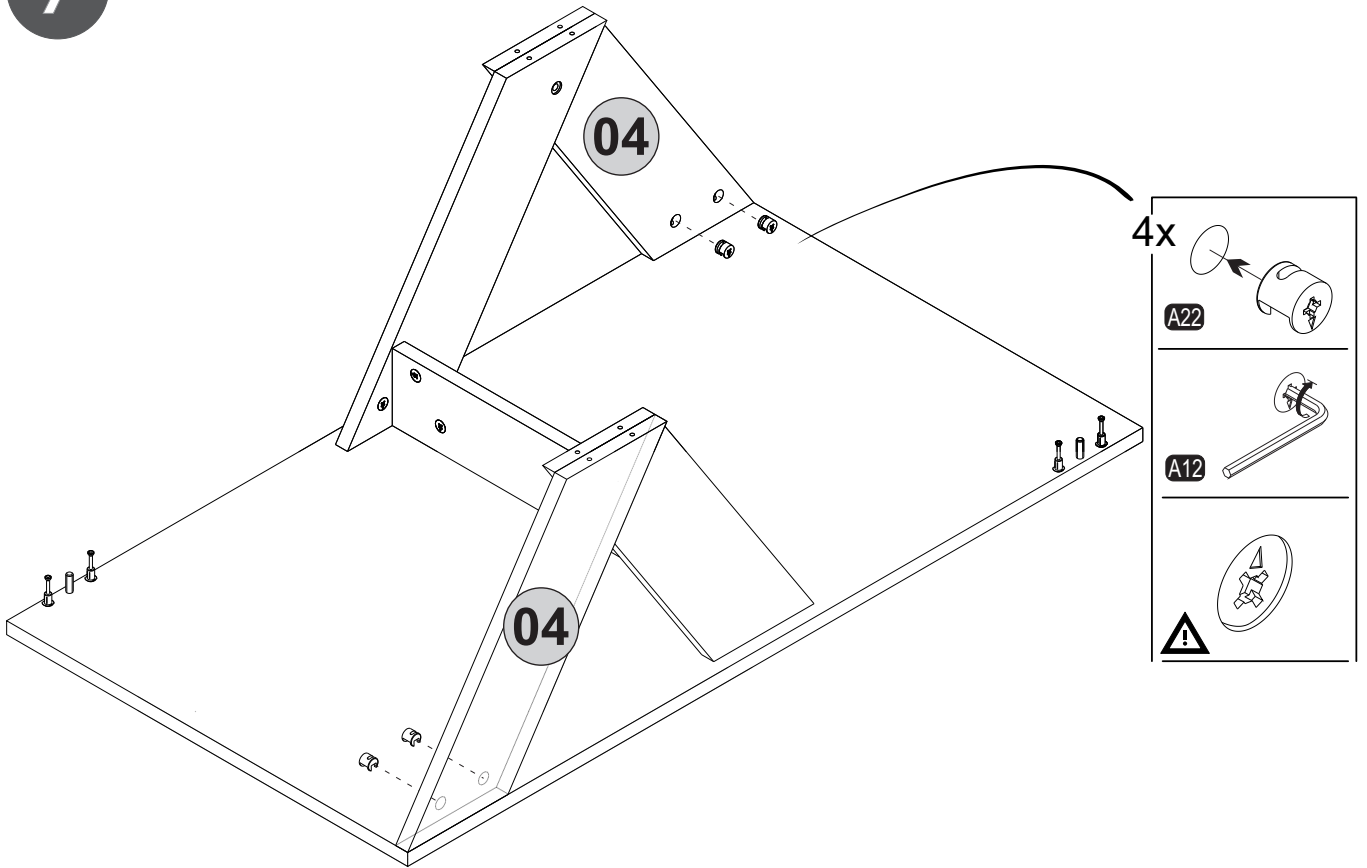
5



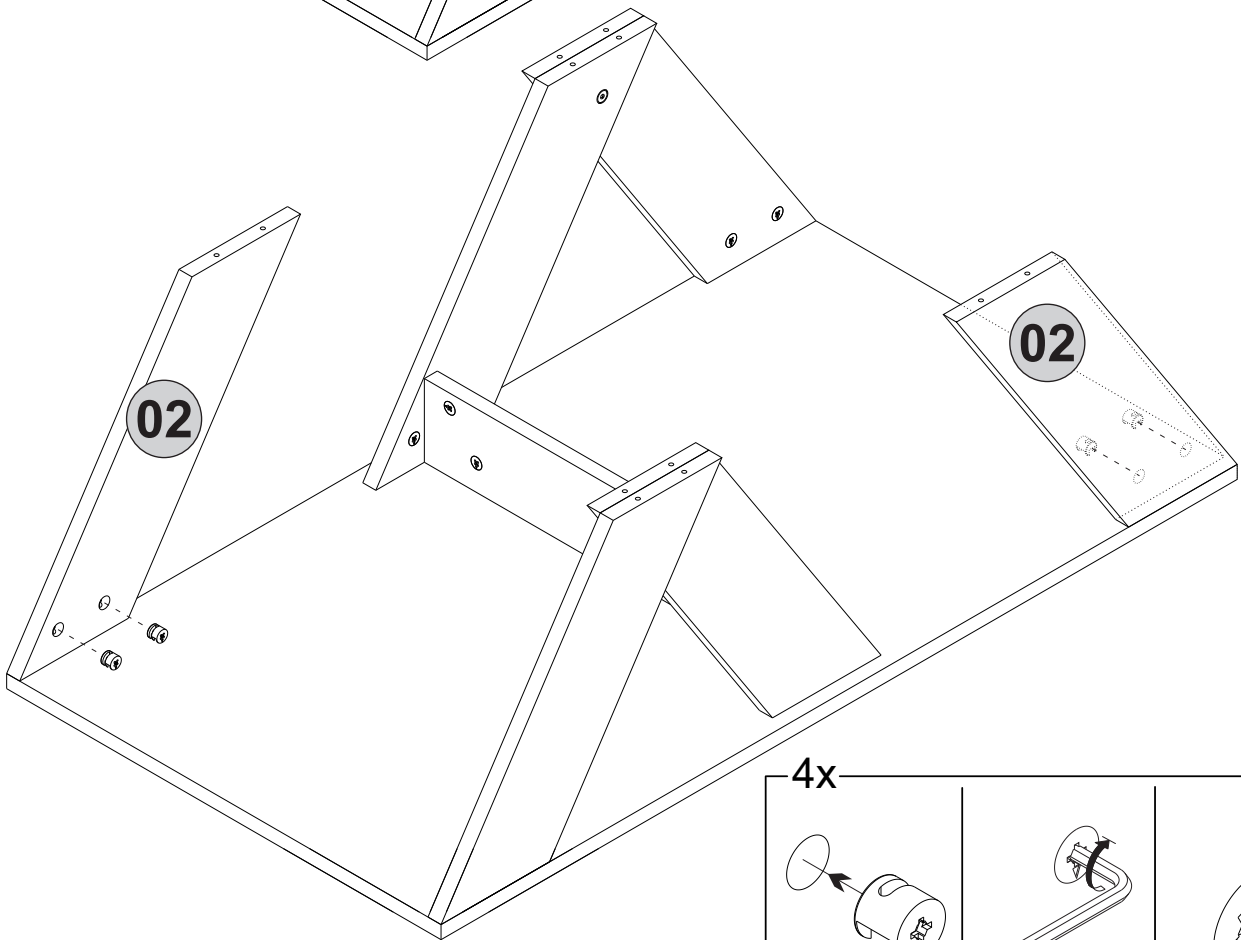
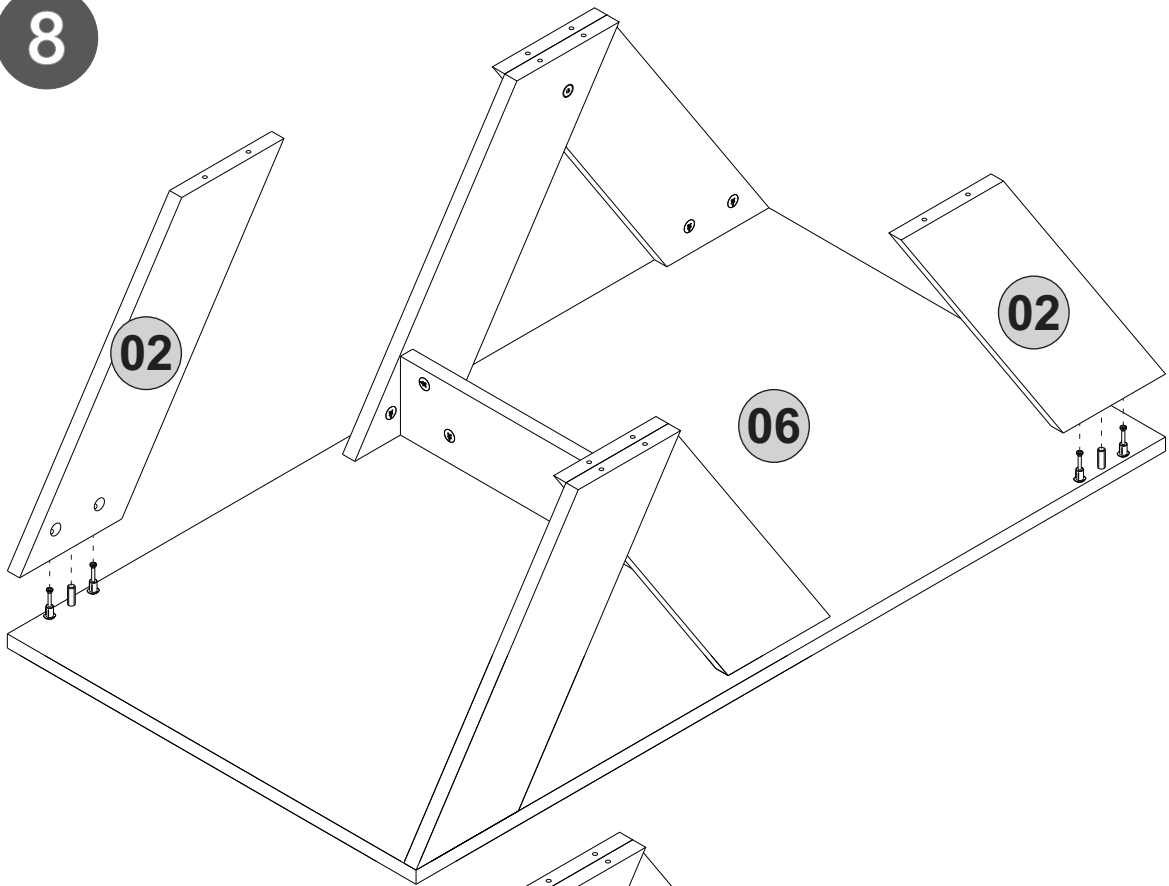
6



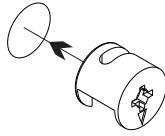
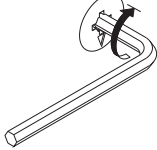

7



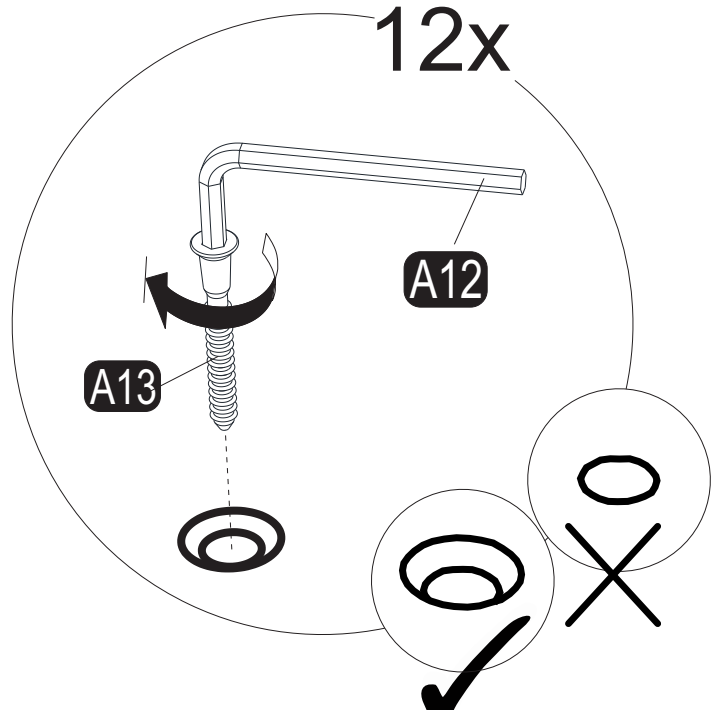
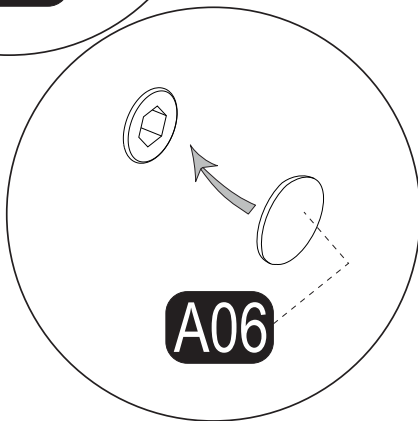
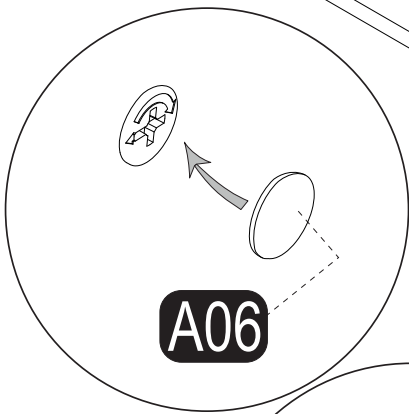
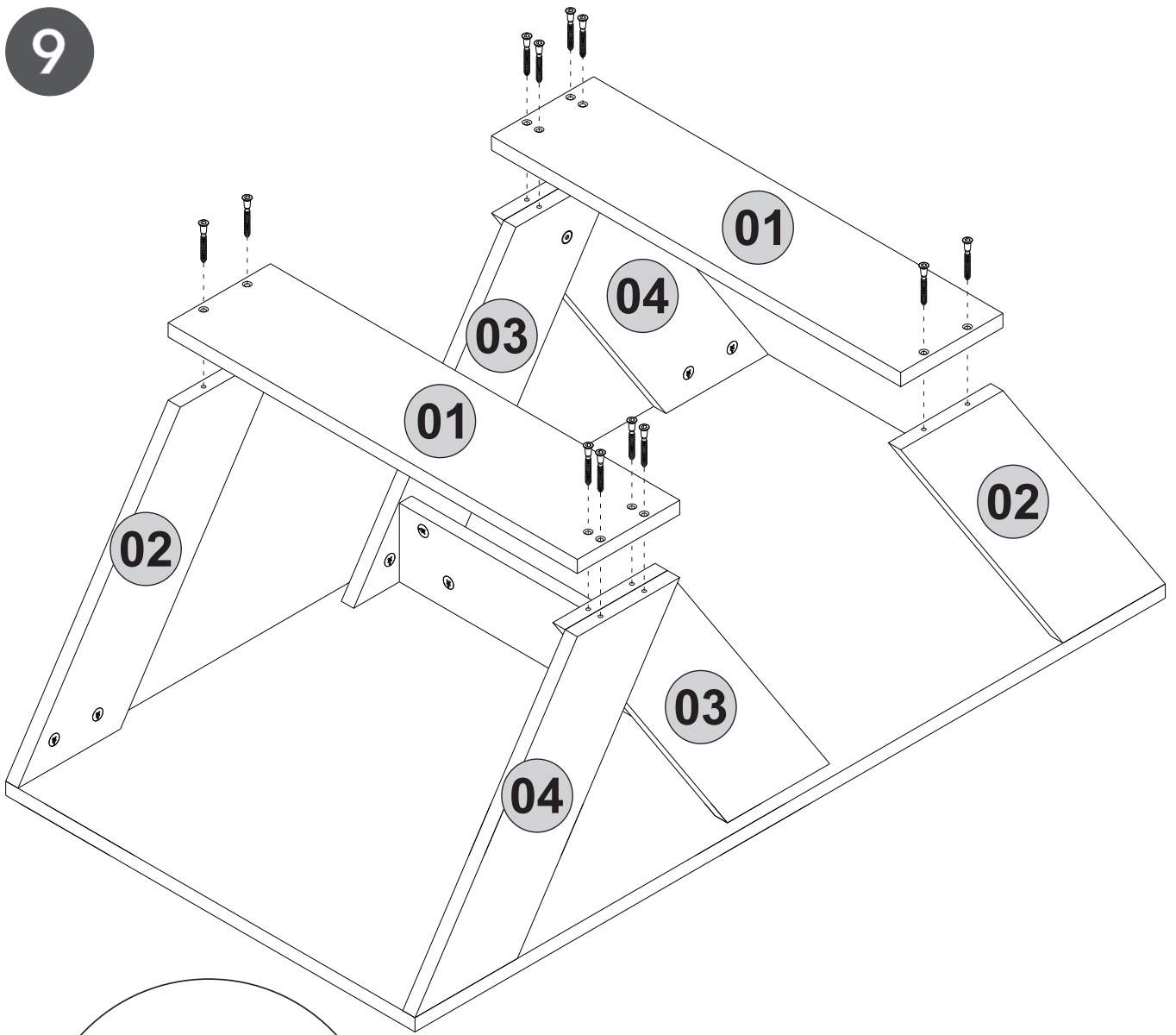
8



4x

 <b>A22</b>	 <b>A12</b>	 <b>!</b>
--	---	---

9



10

