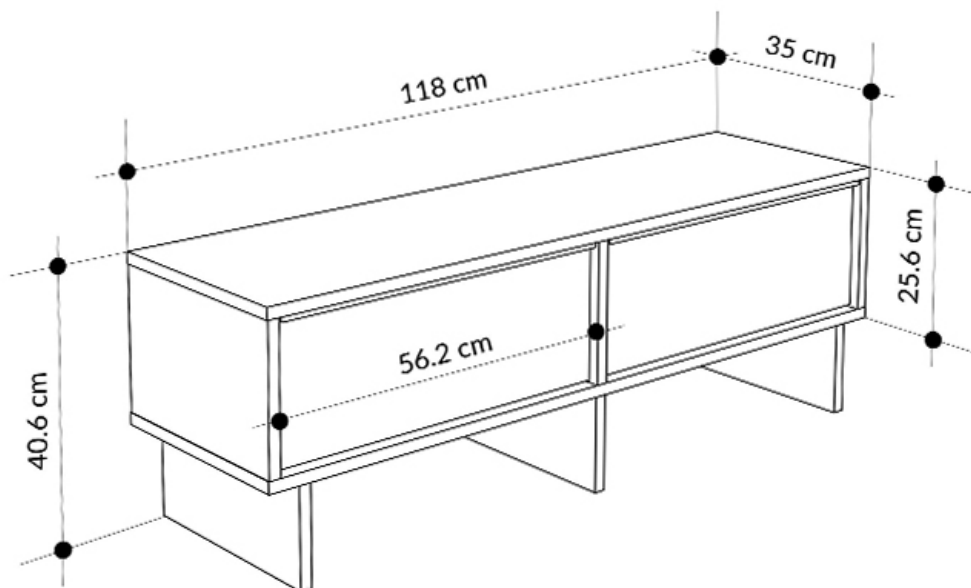




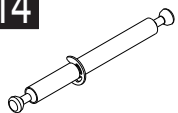



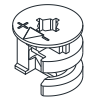
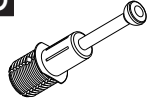
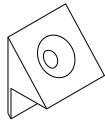
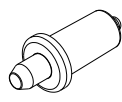
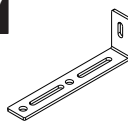
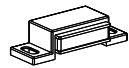


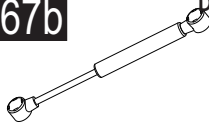
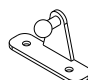

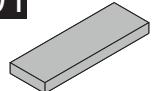
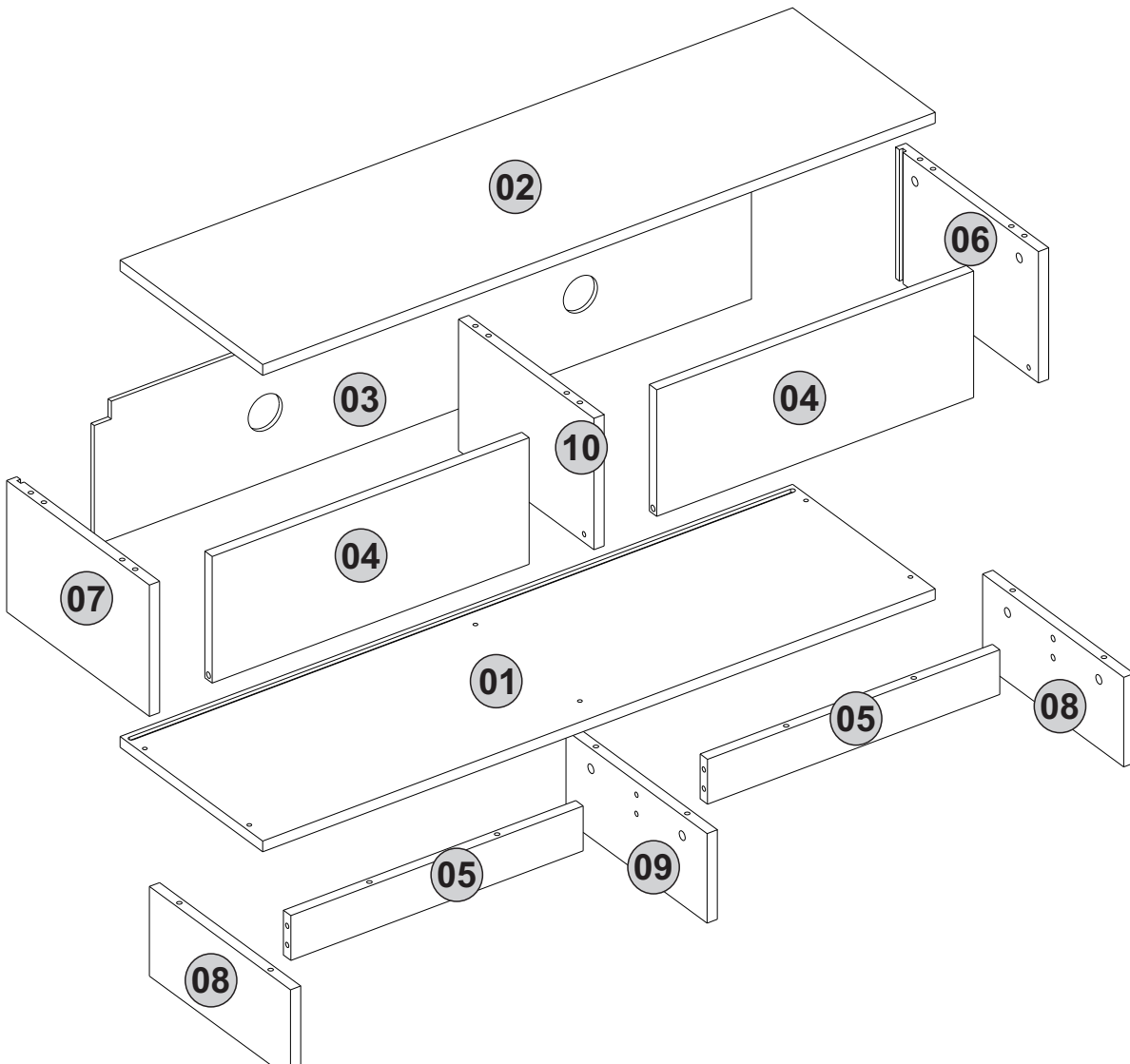


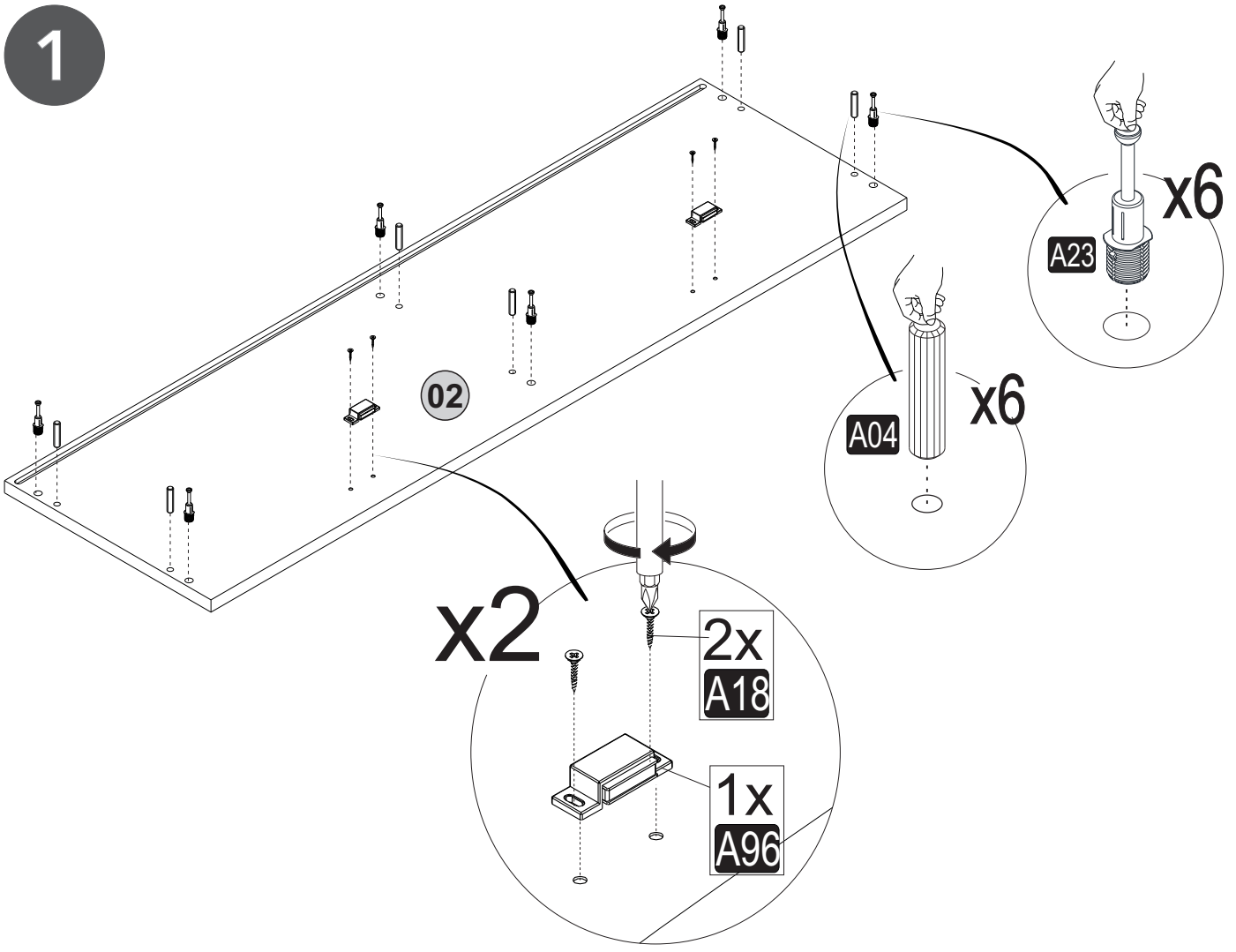
**i** GP037-0275,1



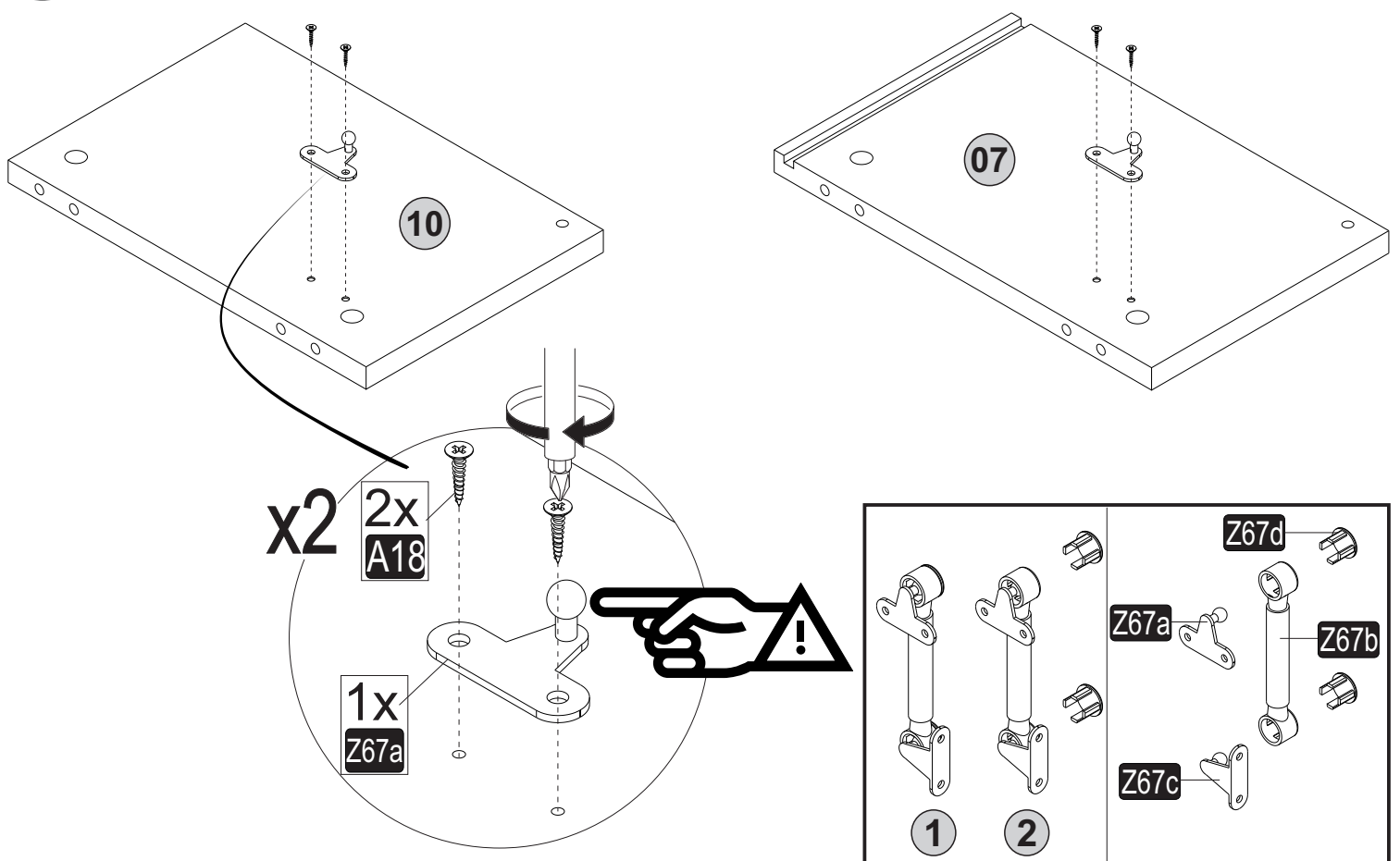
<b>A04</b> Ø8x30  6x	<b>A06</b> 18mm C1-12x C2-18x  2x	<b>A12</b> Allen  1x	<b>A13</b> 50mm  6x	<b>A14</b> DFM6- 86  2x
<b>A16</b> DbØ8  2x	<b>A17</b> 4X50  2x	<b>A18</b> 3,5x18  26x	<b>A22</b> Minifix k18  24x	<b>A23</b> Minifix M10  20x
<b>A25</b> ARK.PL  6x	<b>A65</b> Mil Mentese  4x	<b>A87</b> 15x90x30  2x	<b>A96</b> MÇP  2x	<b>Z554</b> Kulp 554mm  2x
<b>Z67a</b> DKPK  2x	<b>Z67b</b> DKPK  2x	<b>Z67c</b> DKPK  2x	<b>Z67d</b> DKPK  4x	<b>PB01</b> Kece  8x



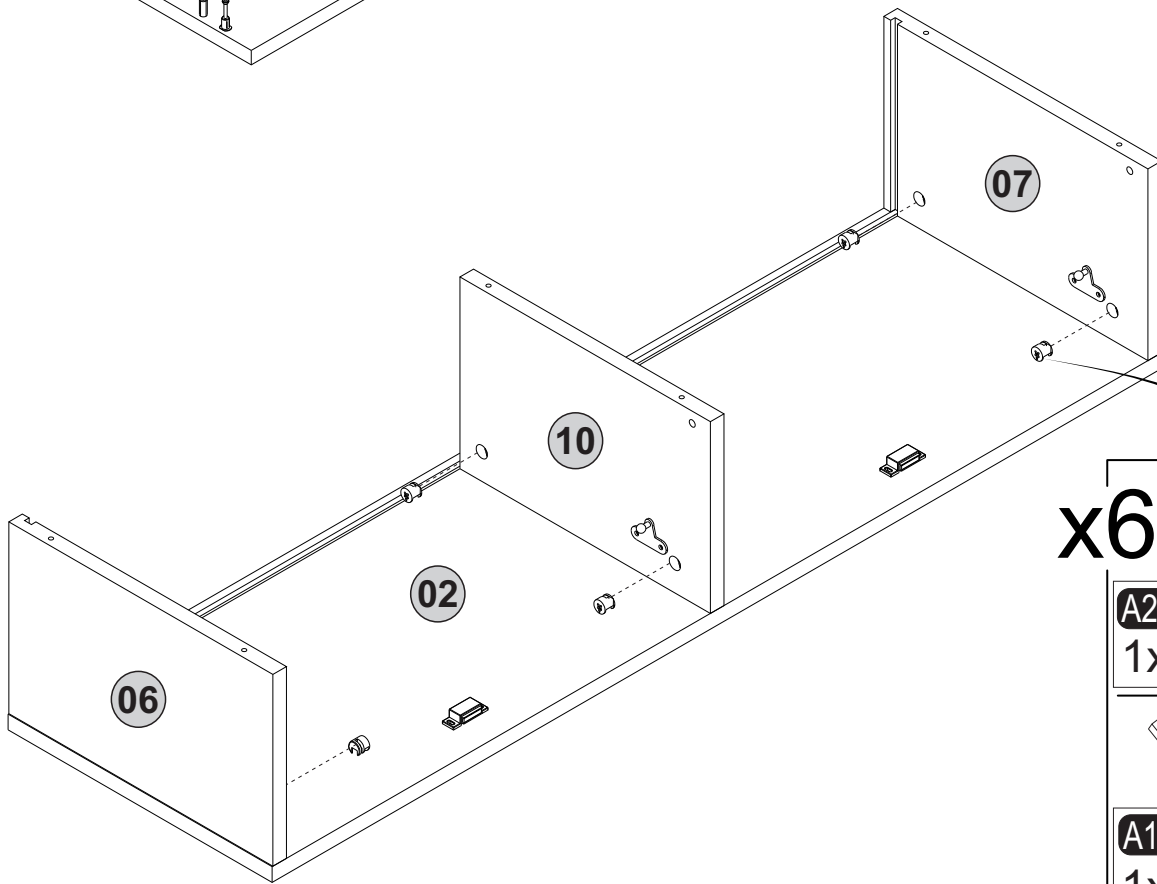
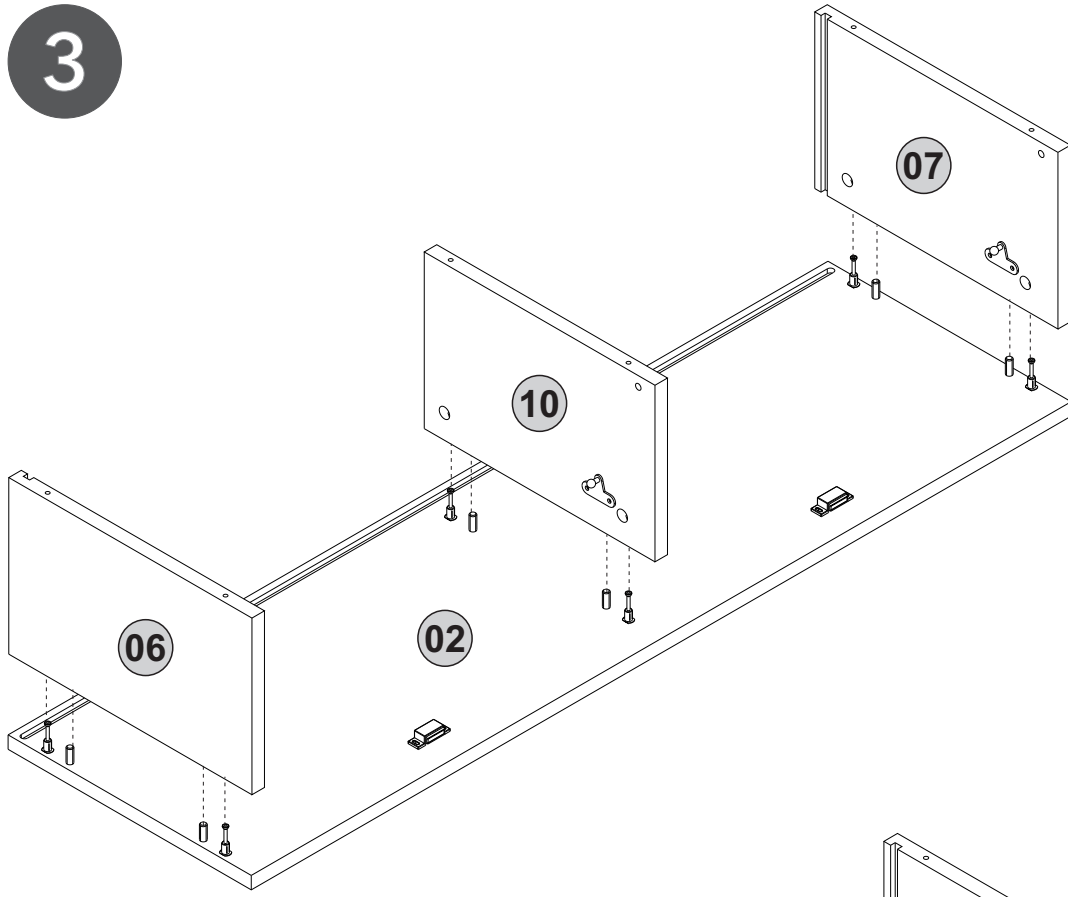
1



2

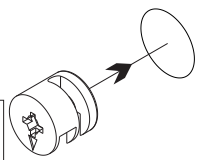


3

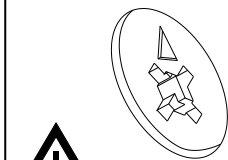


x6

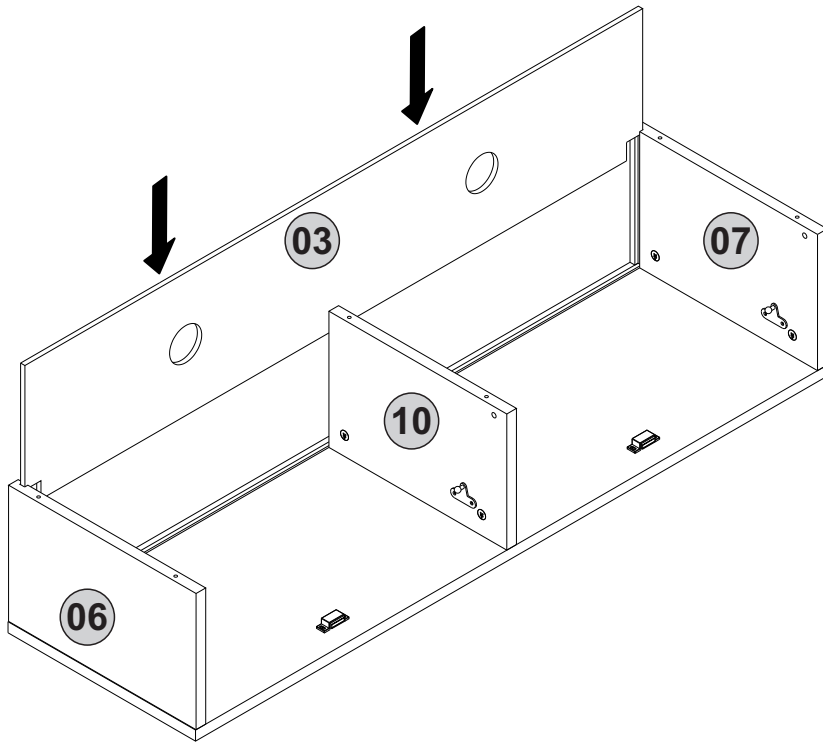
A22  
1x



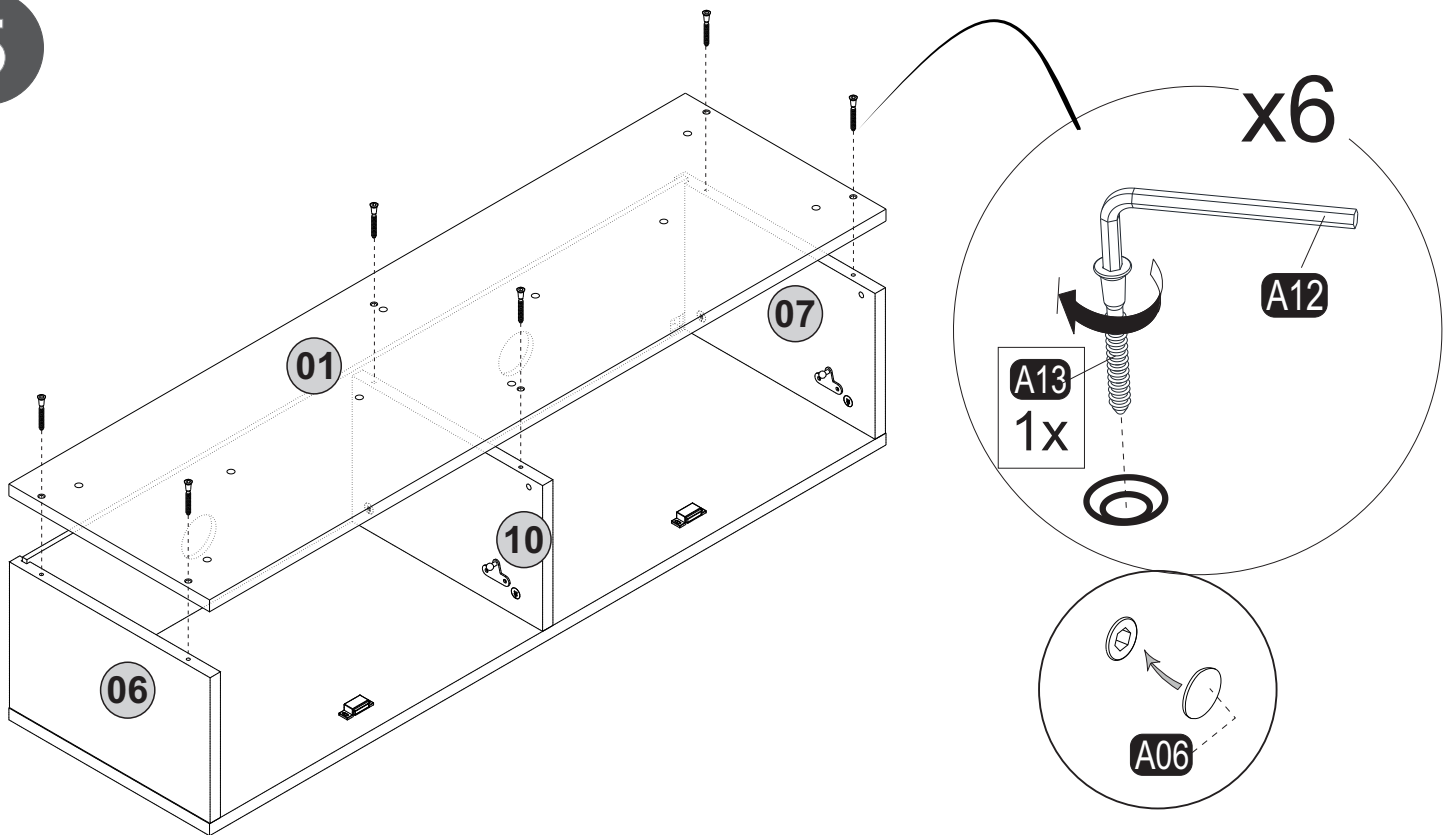
A12  
1x



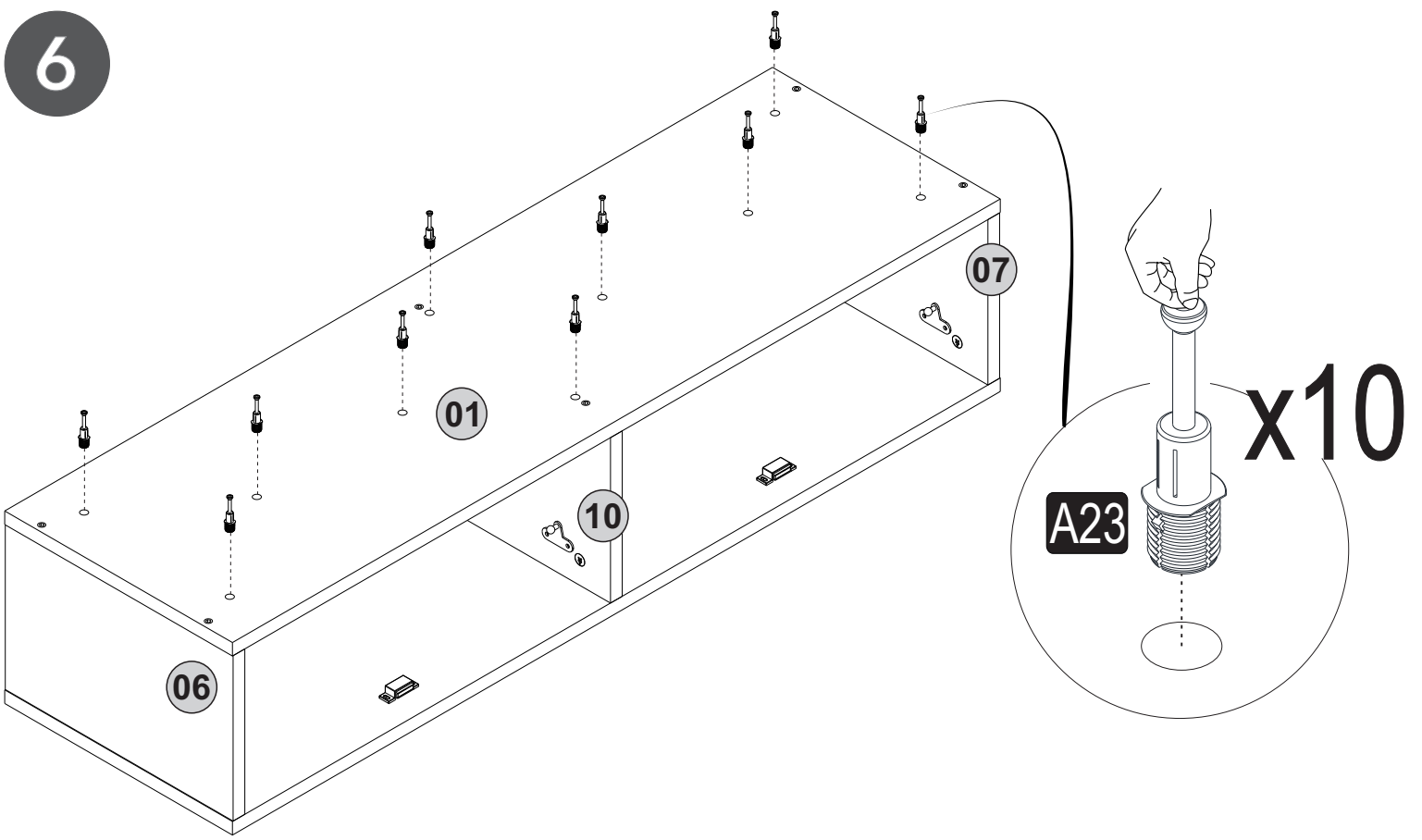
4



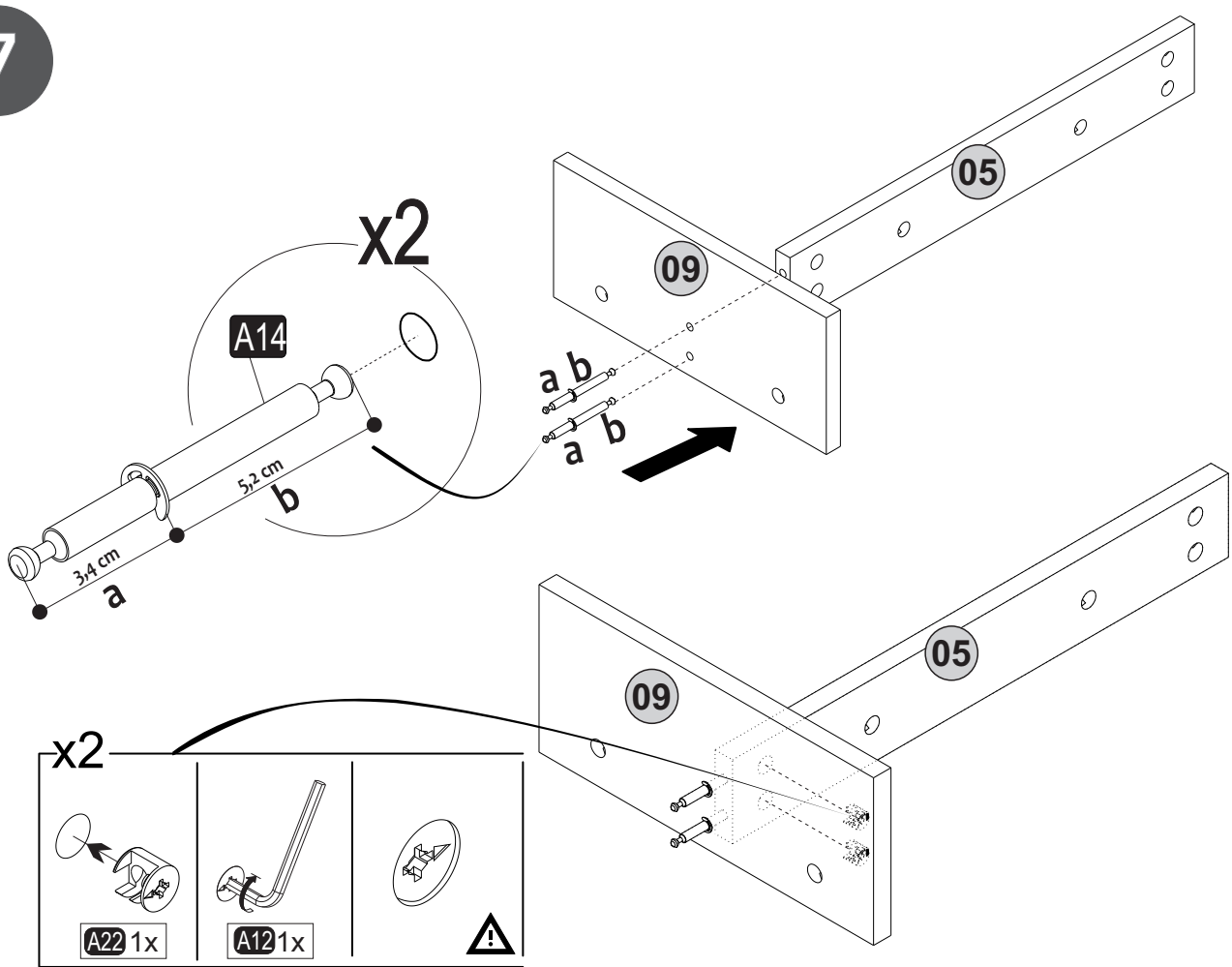
5



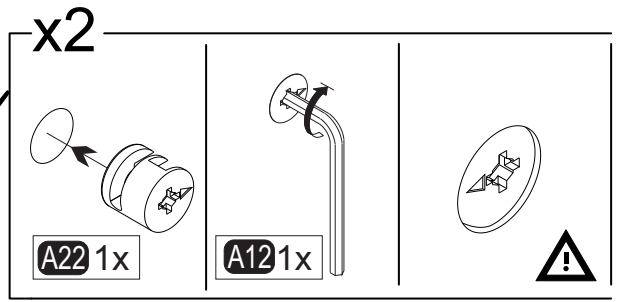
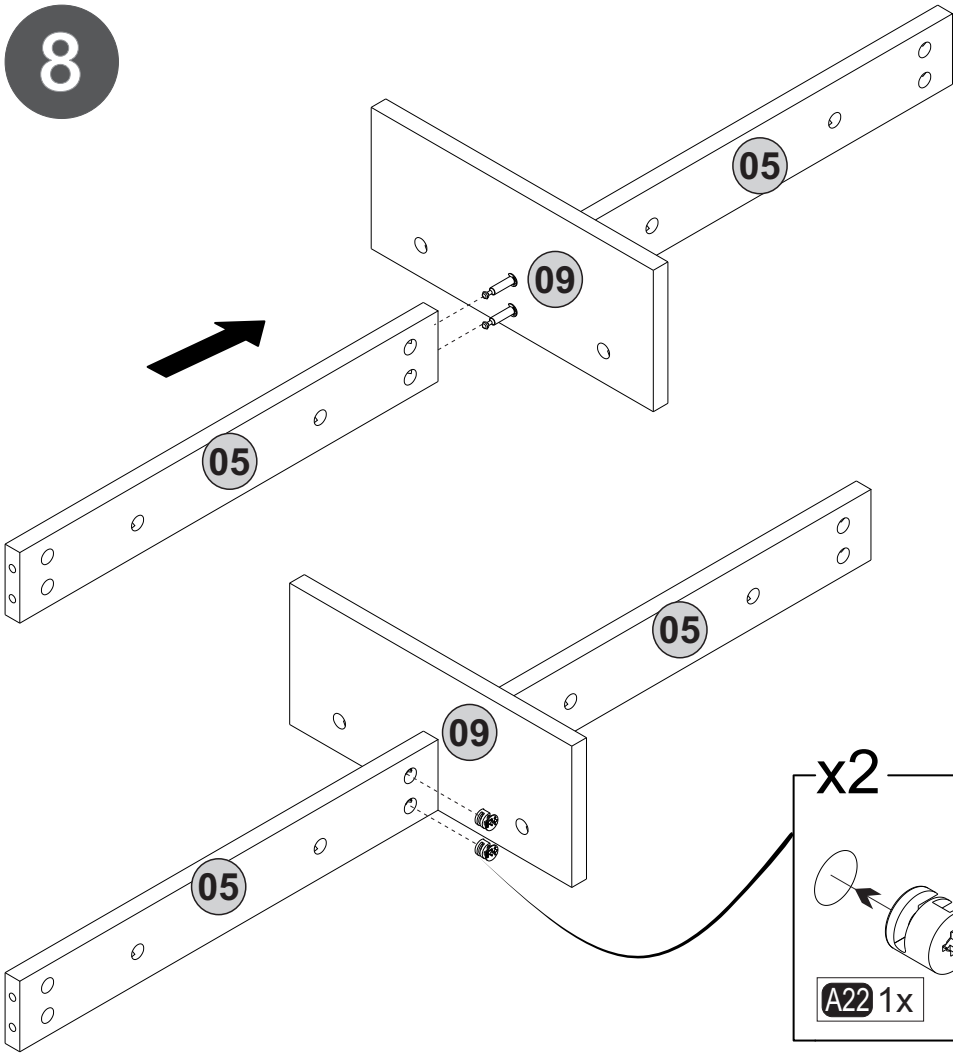
6



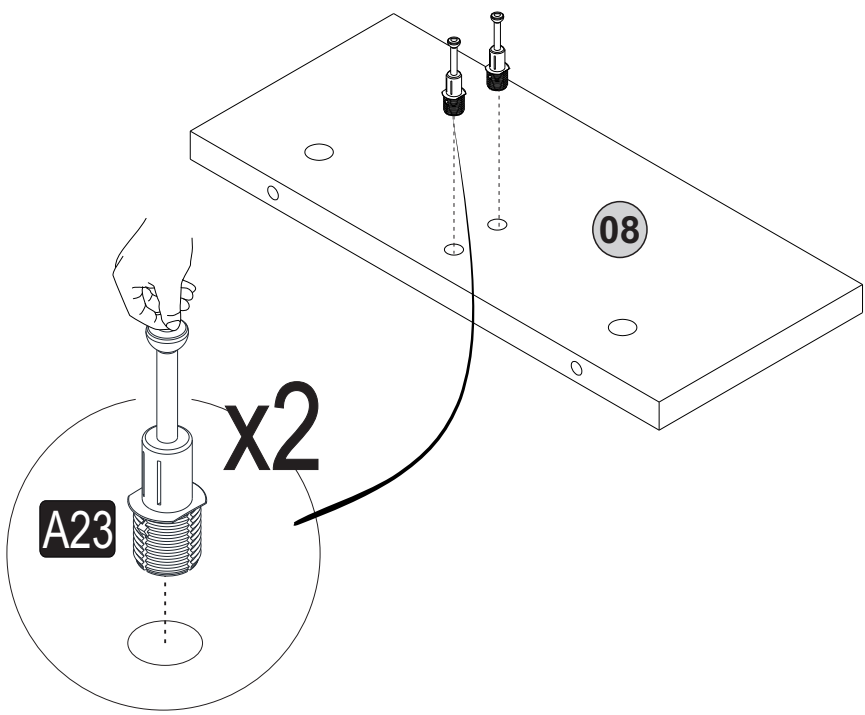
7



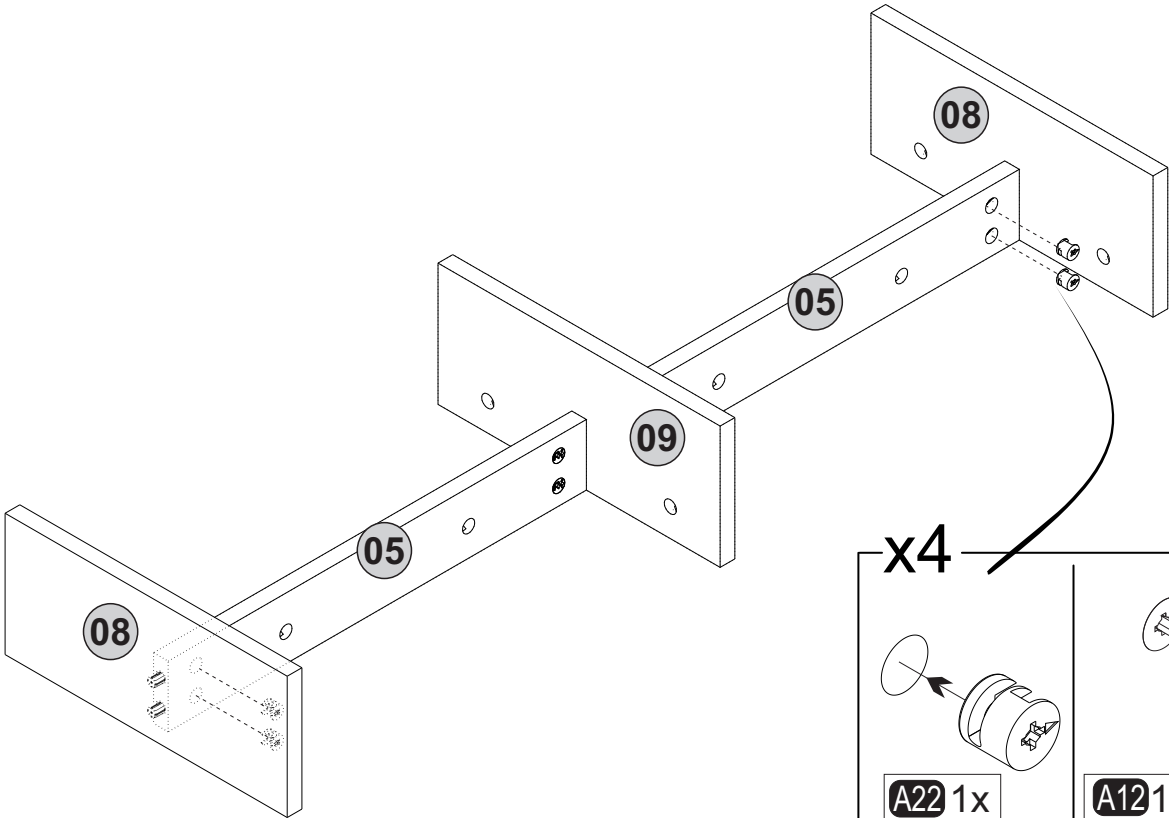
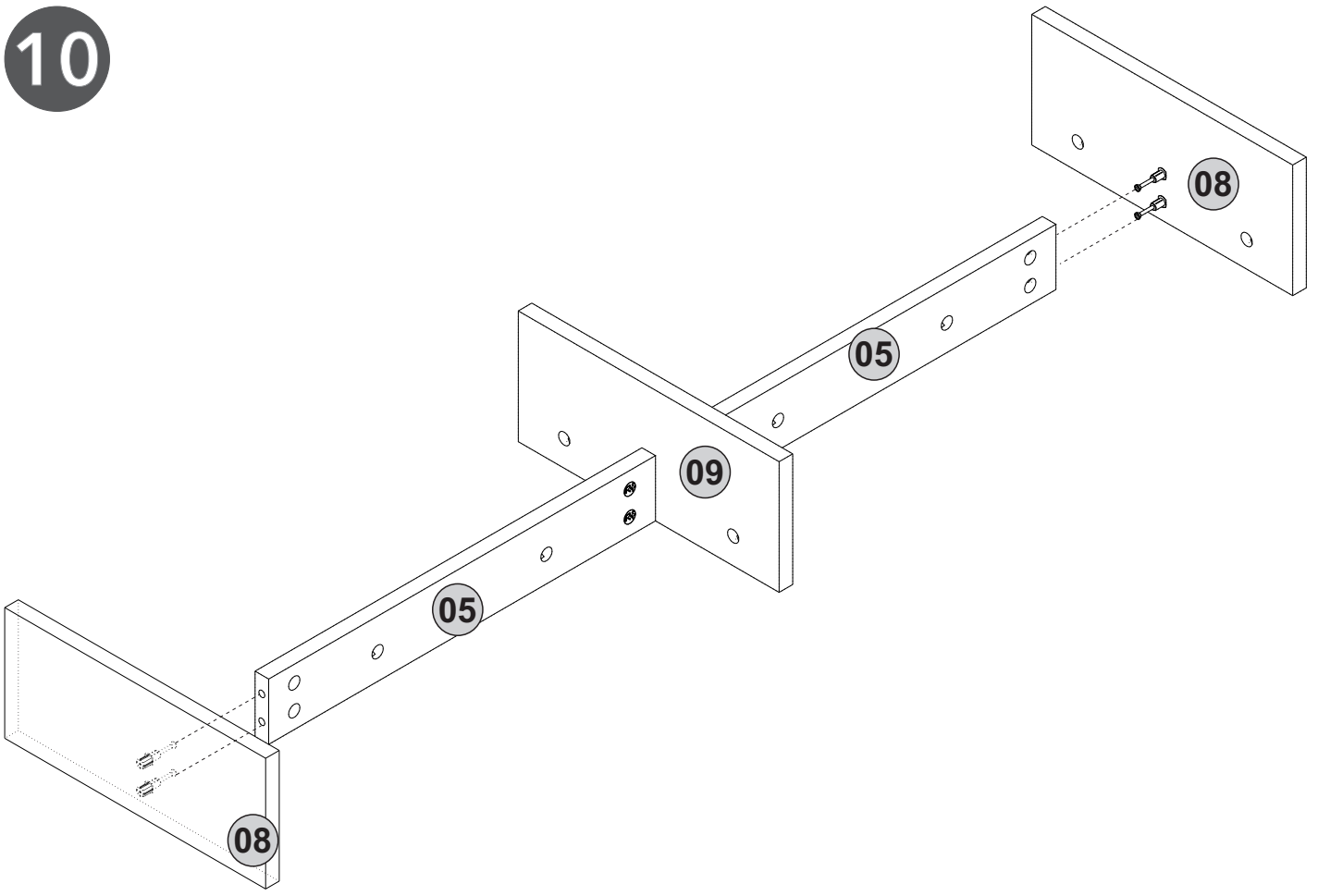
8



9 x2



10

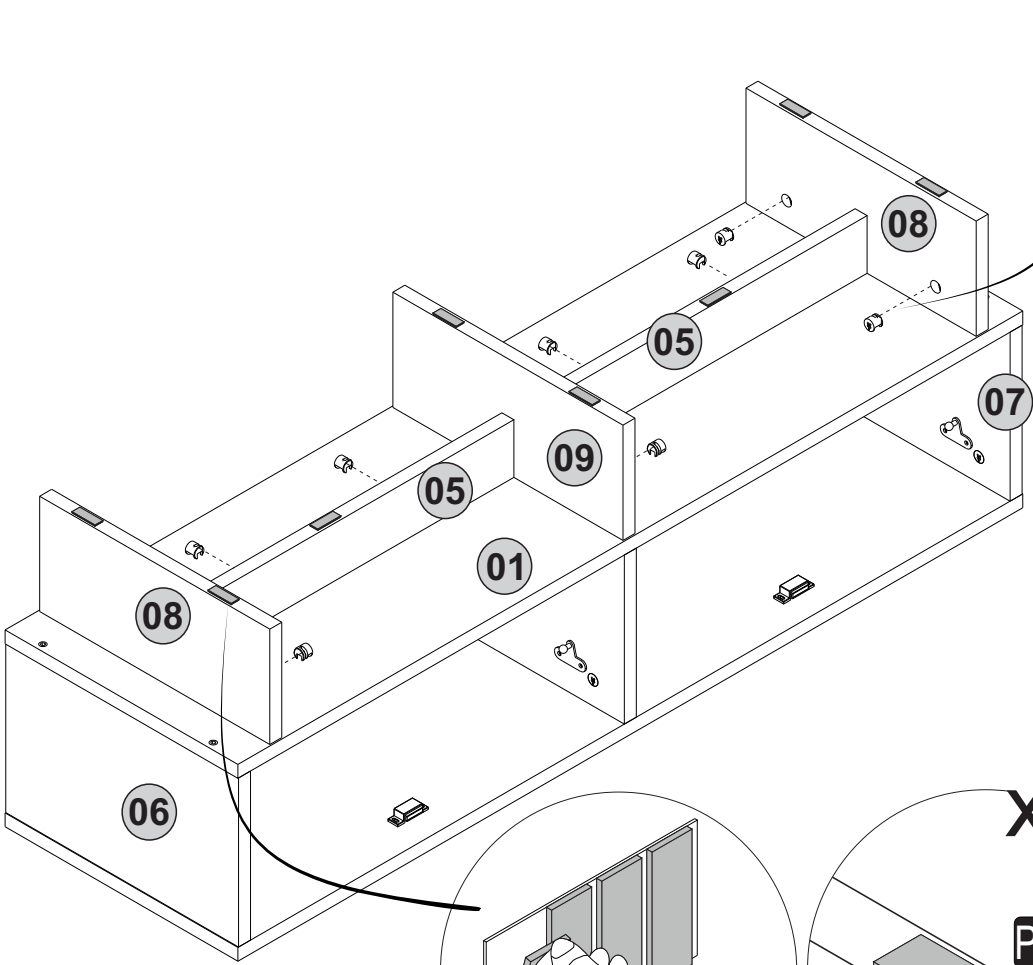
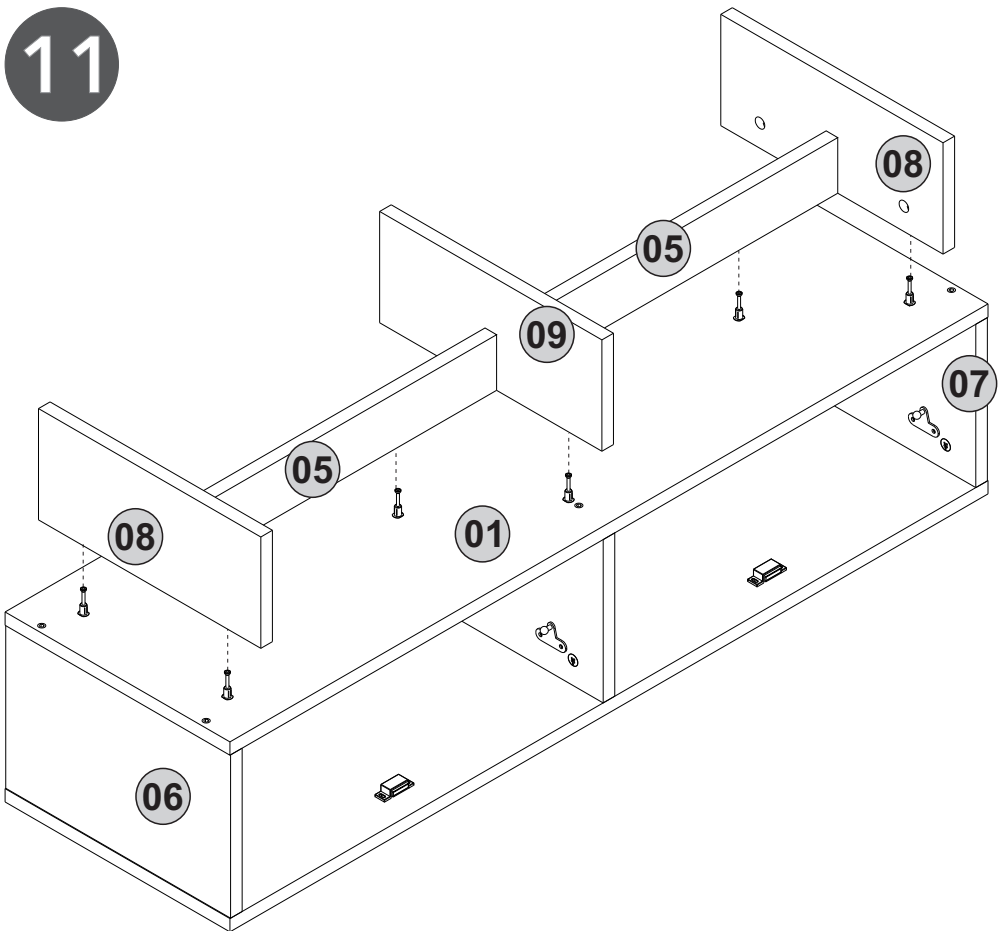


x4

<p>A22 1x</p>	<p>A12 1x</p>	<p>!</p>
---------------	---------------	----------

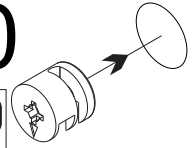
This block contains a list of parts and a warning. It specifies that four screws of type A22 and four screws of type A12 are required. A warning symbol is also present.

11

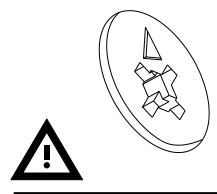
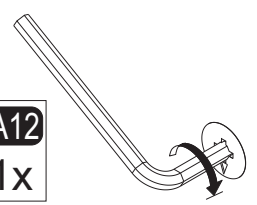


x10

A22  
1x

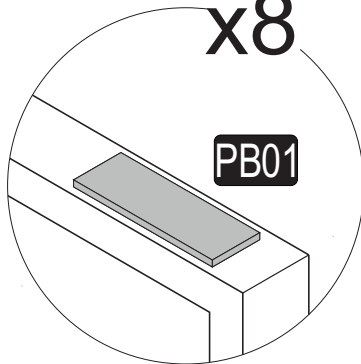
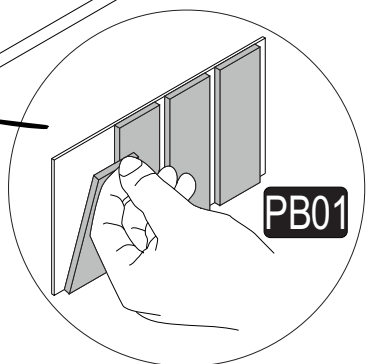


A12  
1x

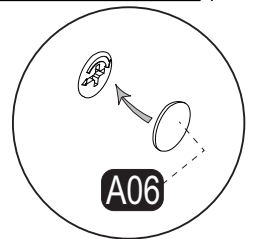


x8

PB01

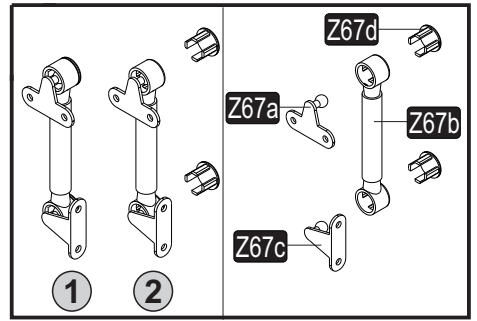
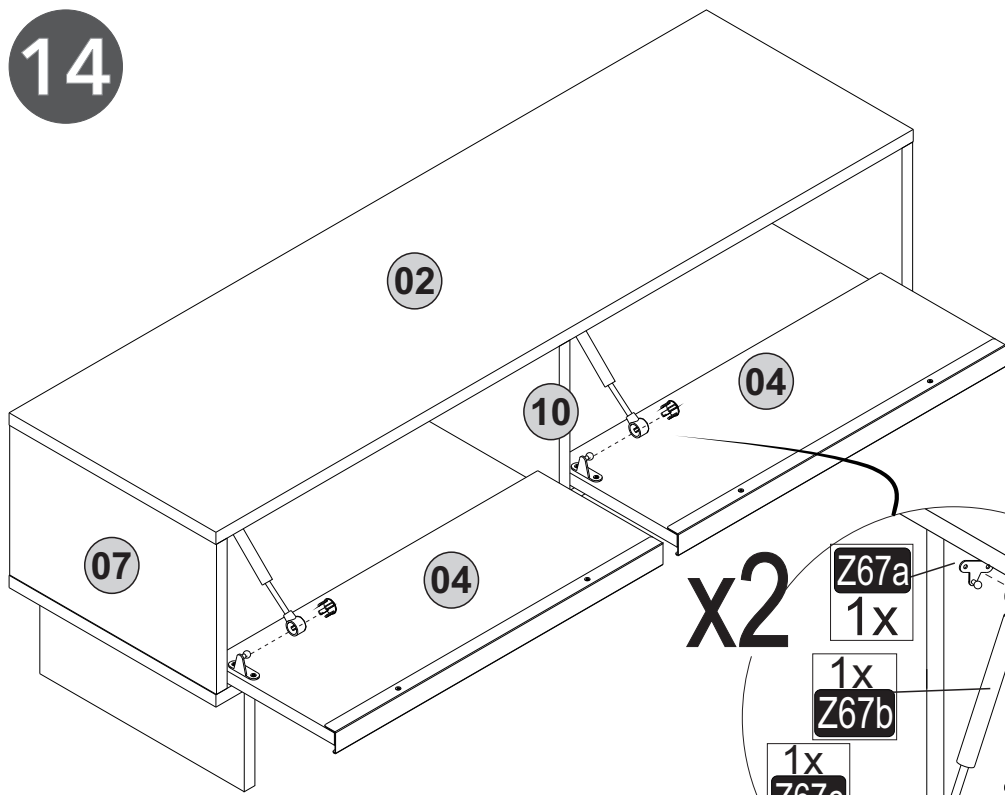


A06

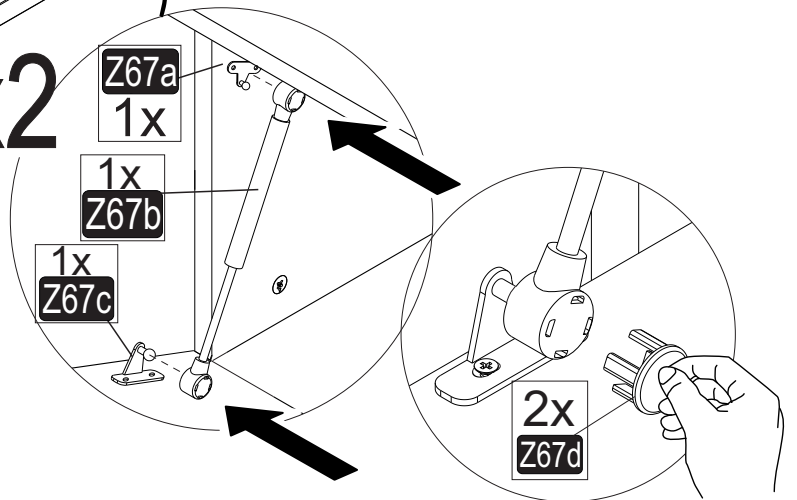




14



x2



15

