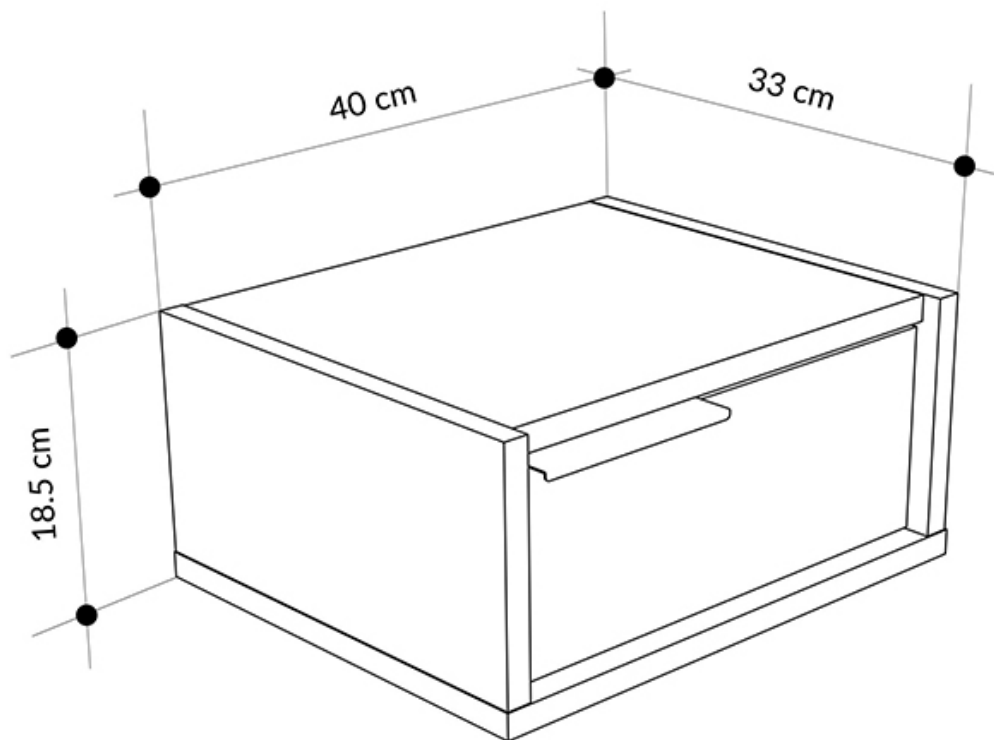





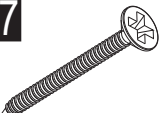


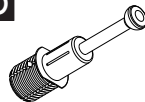
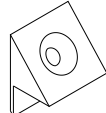
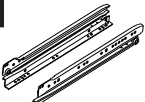
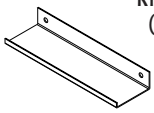

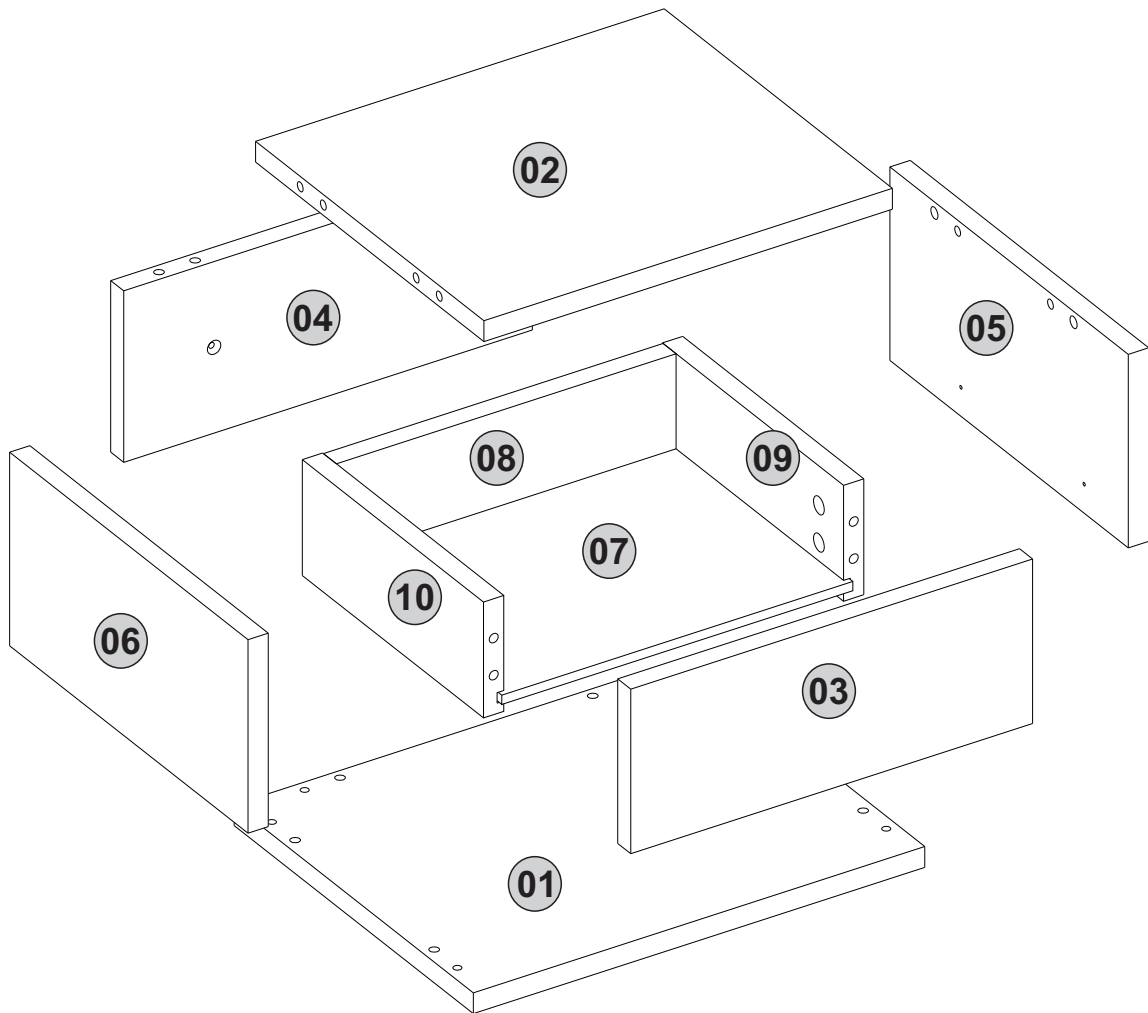


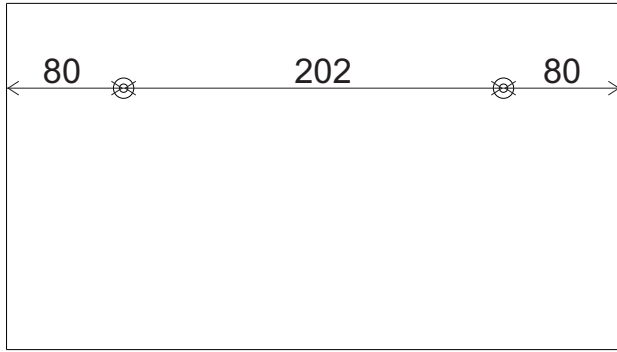
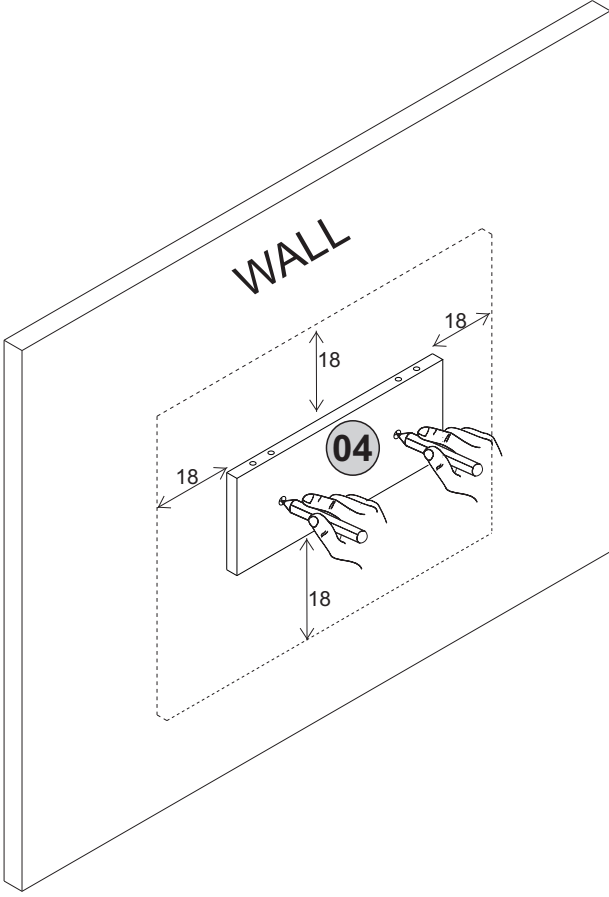
**i** GP037-0279,1



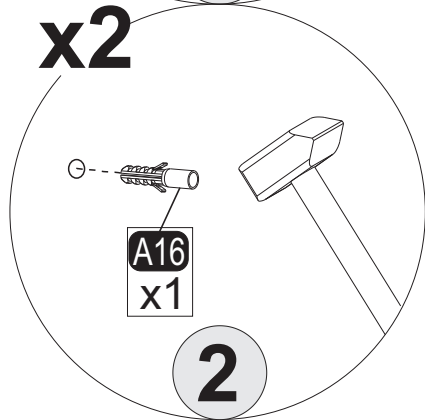
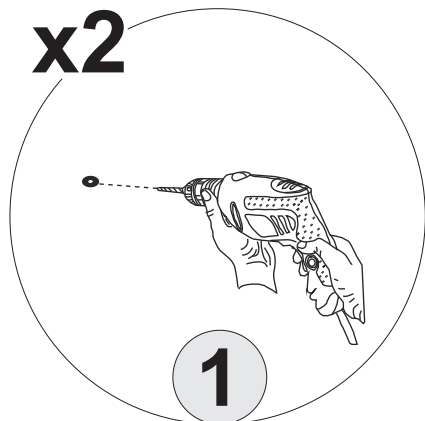
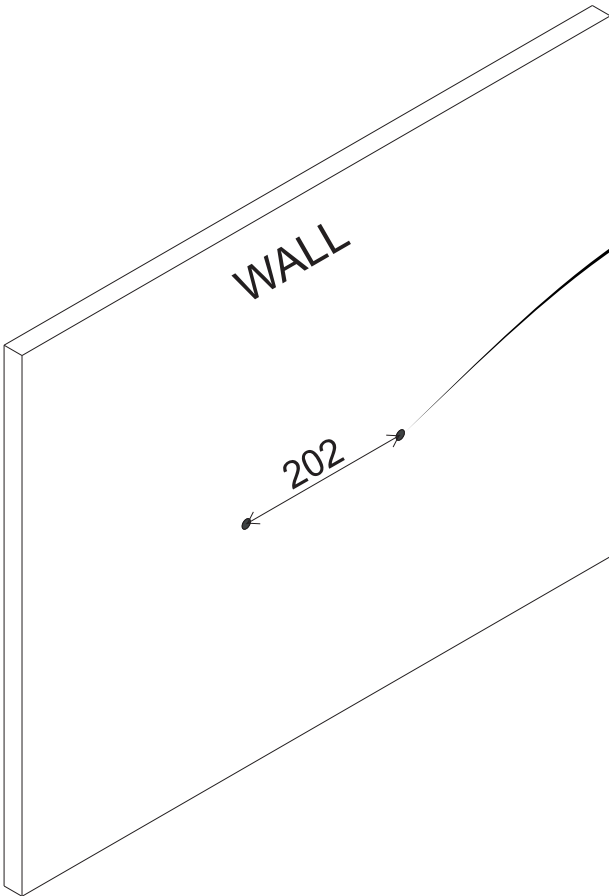
|  |  |   |  |  |
|--|--|---|--|--|
| <b>A04</b><br><br>Ø8x30<br><b>12x</b> | <b>A06</b><br><br>18mm<br>C1-14x<br>C2-8x<br><b>12x</b> | <b>A12</b><br><br>Allen<br><b>1x</b>             | <b>A13</b><br><br>50mm<br><b>6x</b>         | <b>A16</b><br><br>DbØ8<br><b>2x</b>   |
| <b>A17</b><br><br>4x50<br><b>2x</b>   | <b>A18</b><br><br>3,5x18<br><b>12x</b>                  | <b>A22</b><br><br>Minifix k18<br><b>14x</b>      | <b>A23</b><br><br>Minifix M10<br><b>14x</b> | <b>A25</b><br><br>ARK.PL<br><b>4x</b> |
| <b>Z84</b><br><br>Krt250<br><b>1x</b> | <b>Z551</b><br><br>K128mm<br>(black)<br><b>1x</b>       | <b>A50</b><br><br>3,5x16<br>(Black)<br><b>2x</b> |  |  |



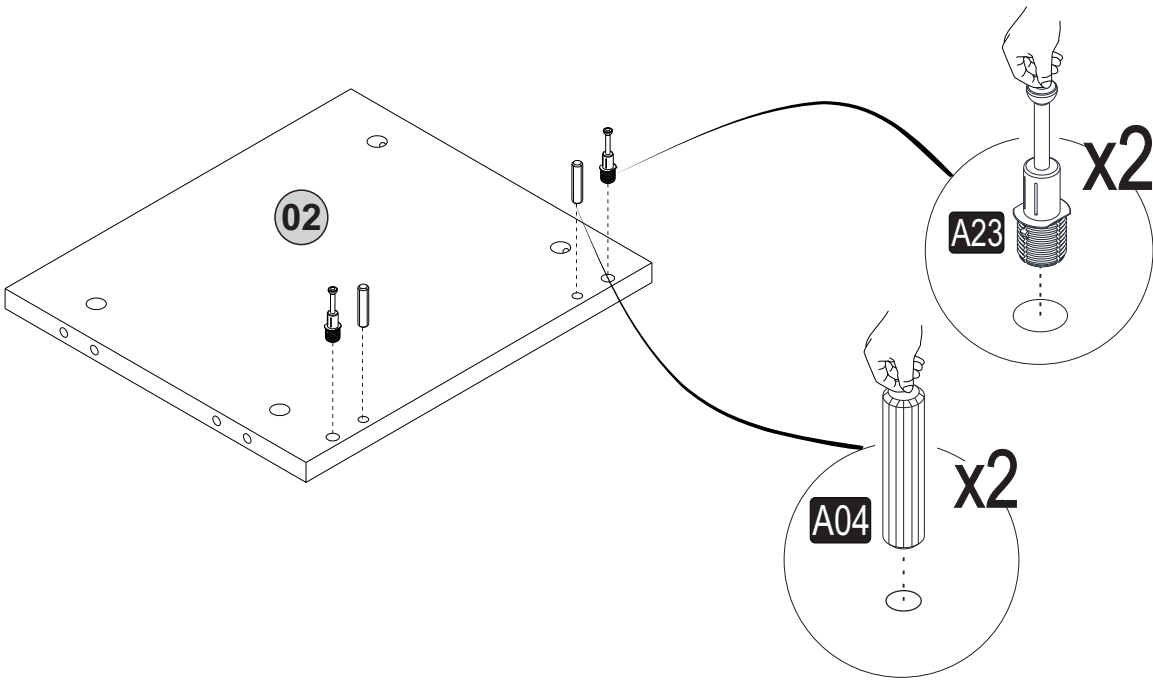
1



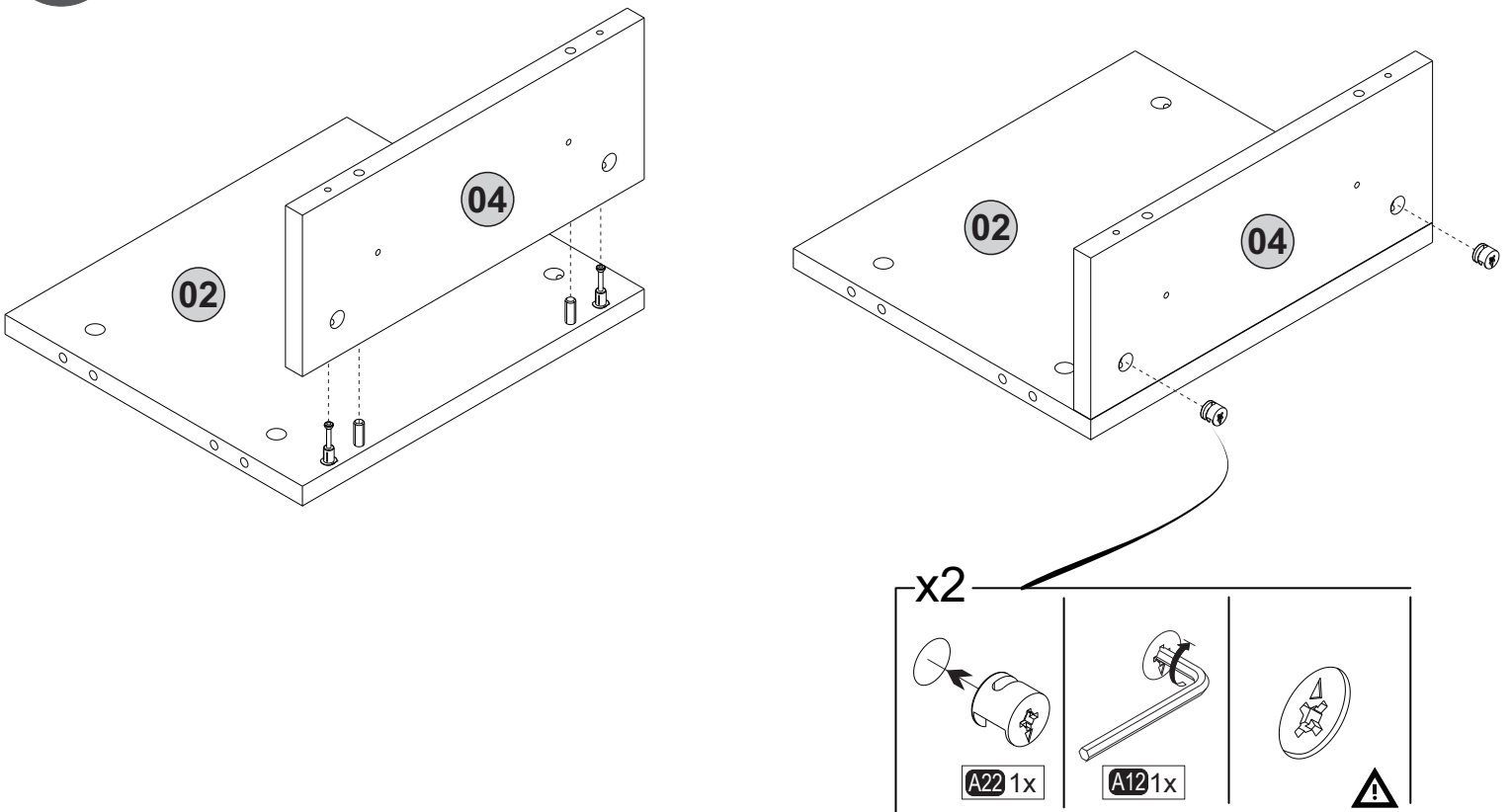
2



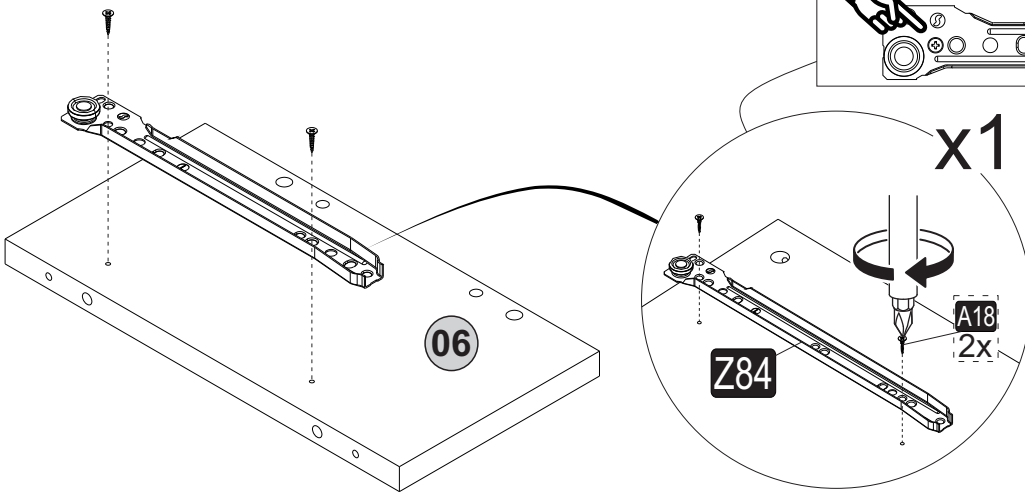
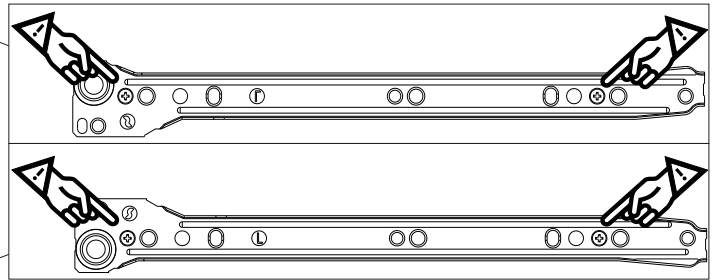
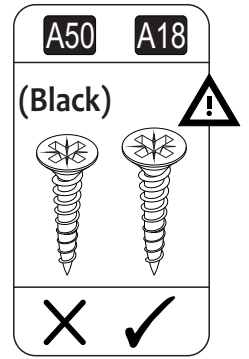
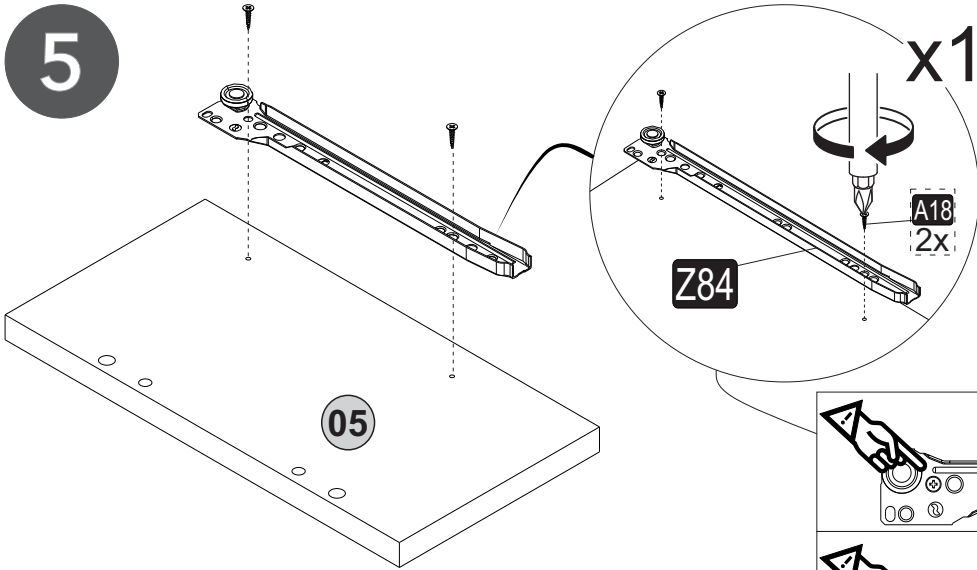
3



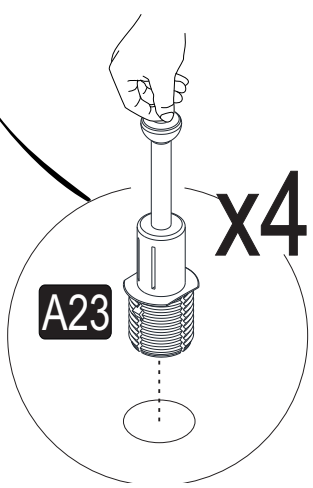
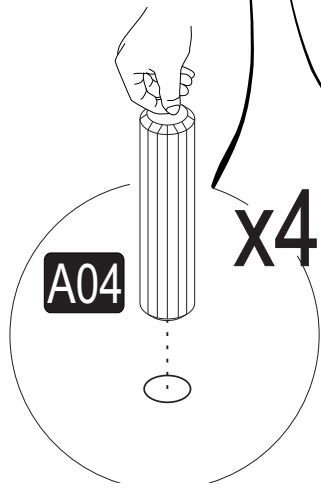
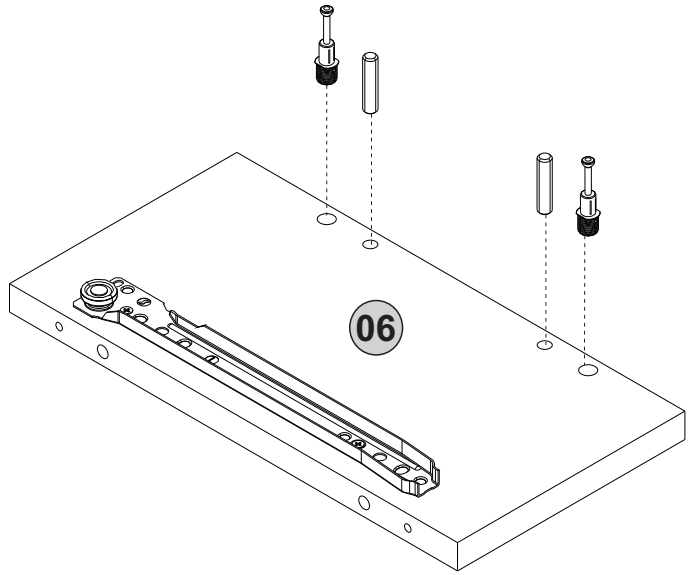
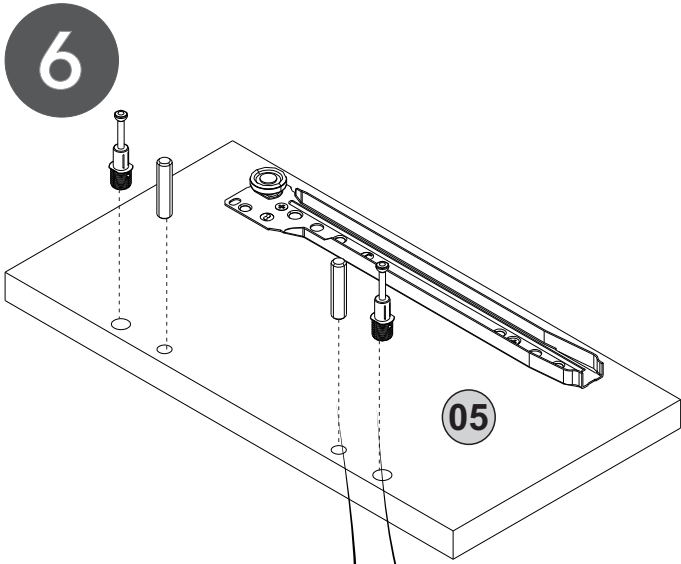
4

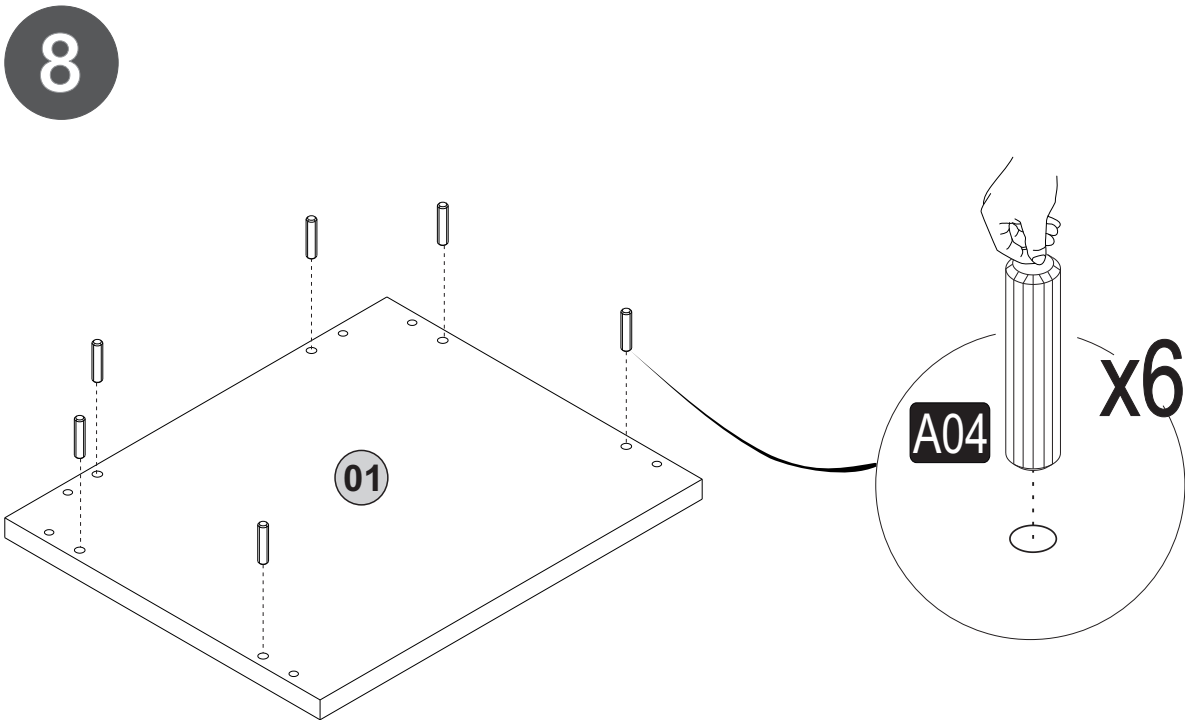
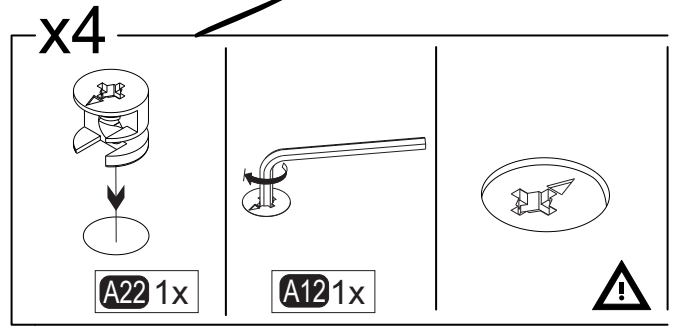
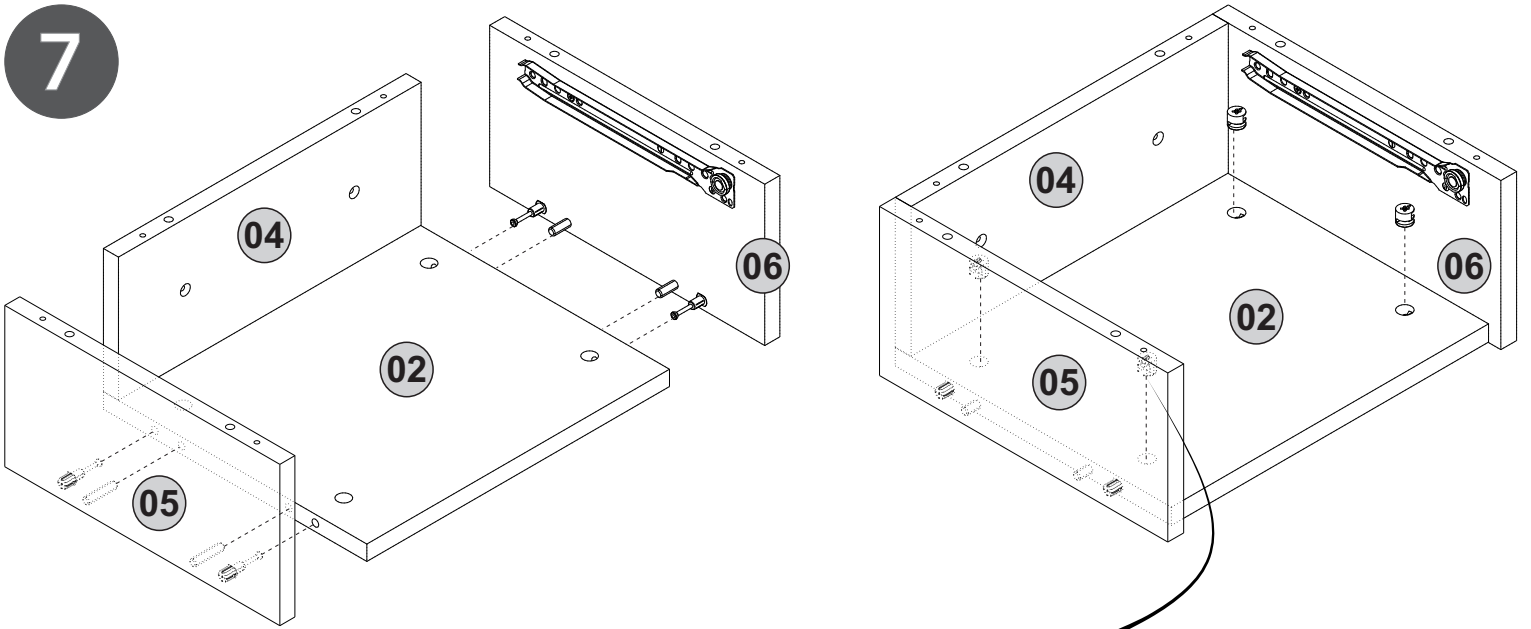


5

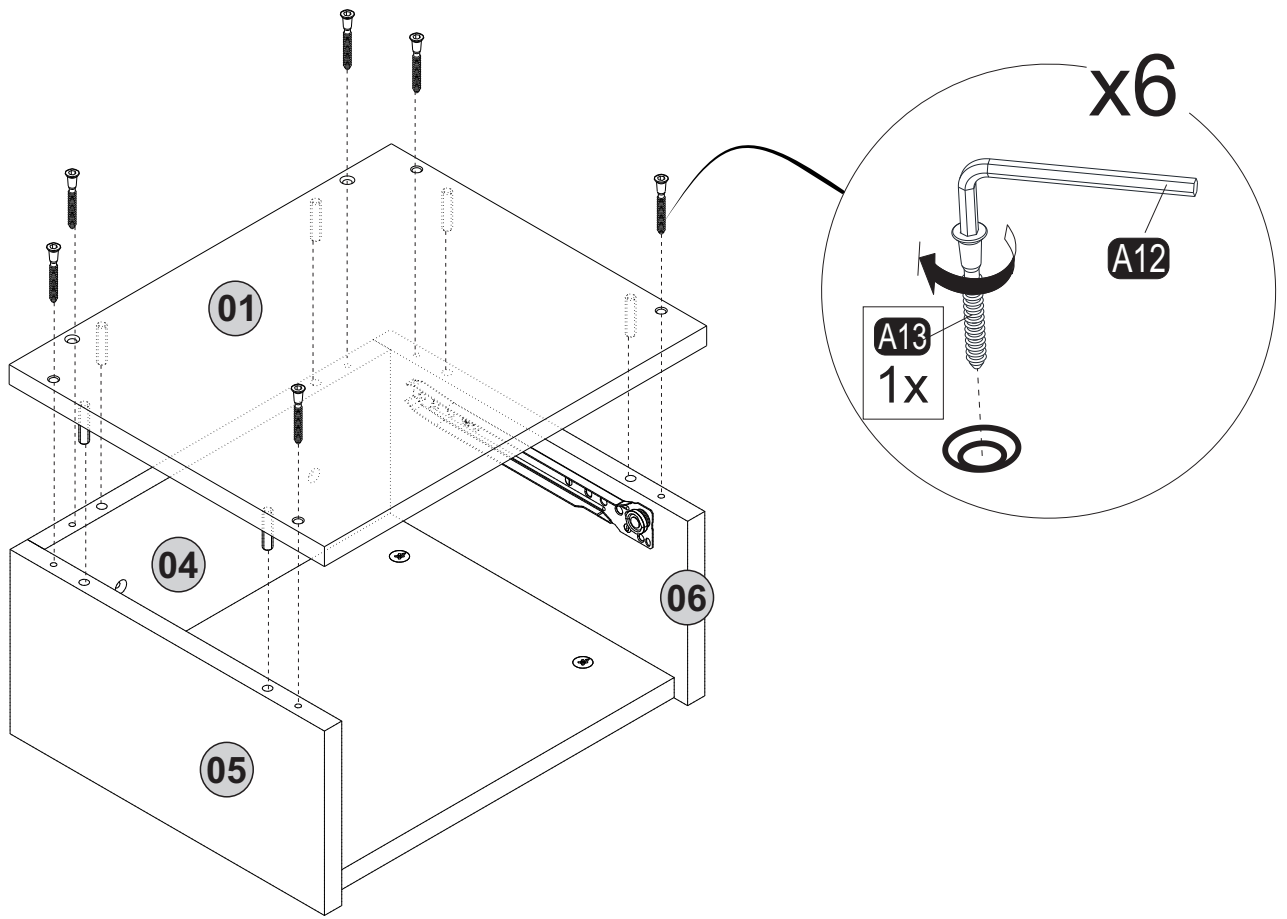


6

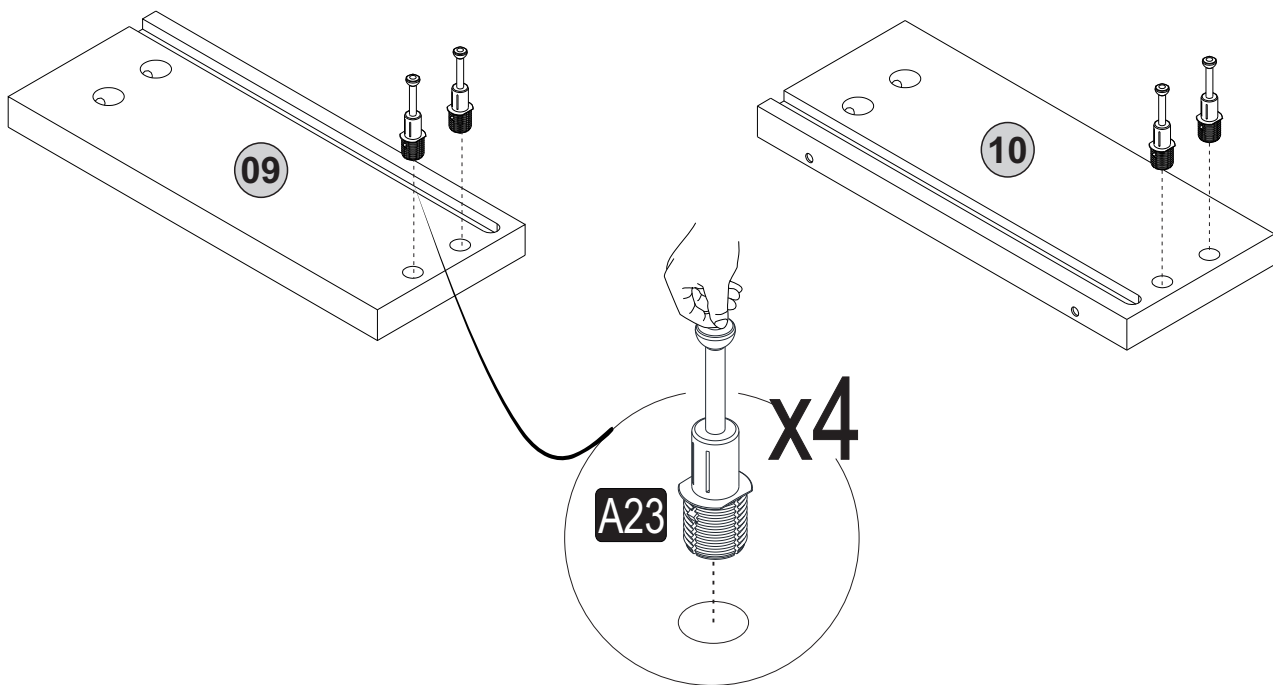




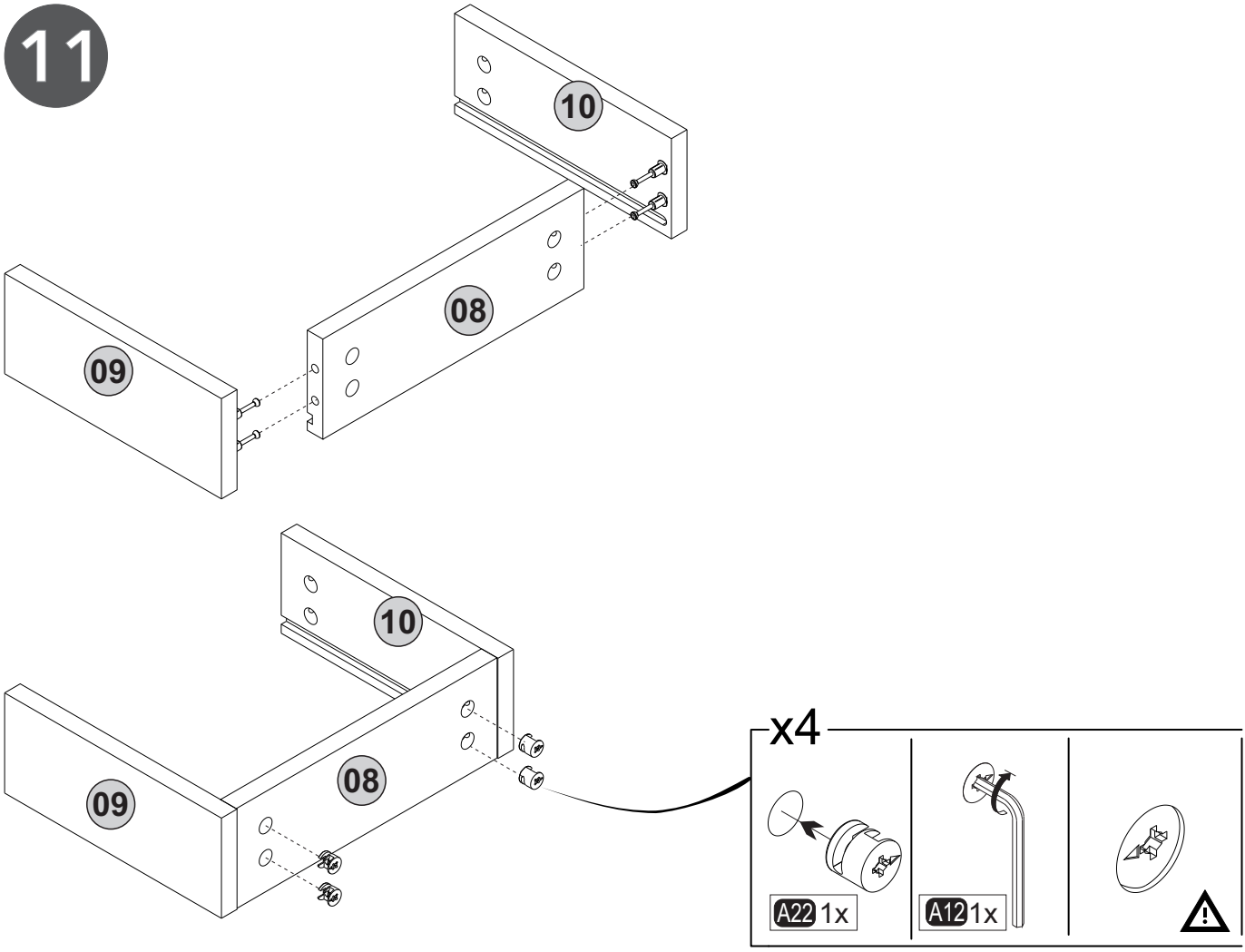
9



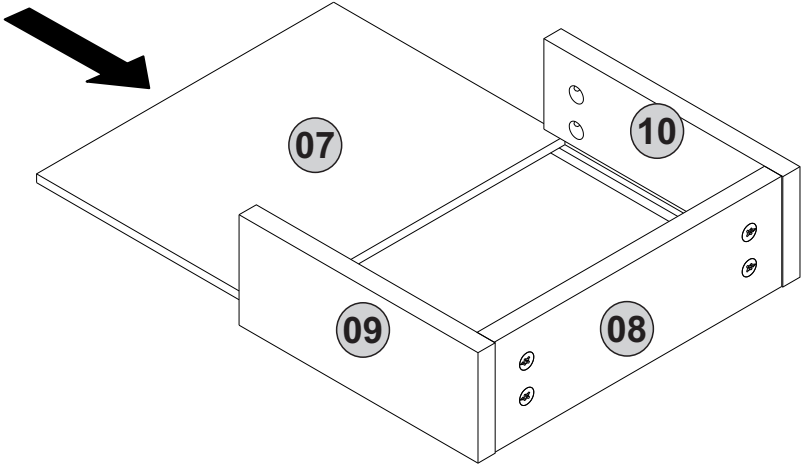
10



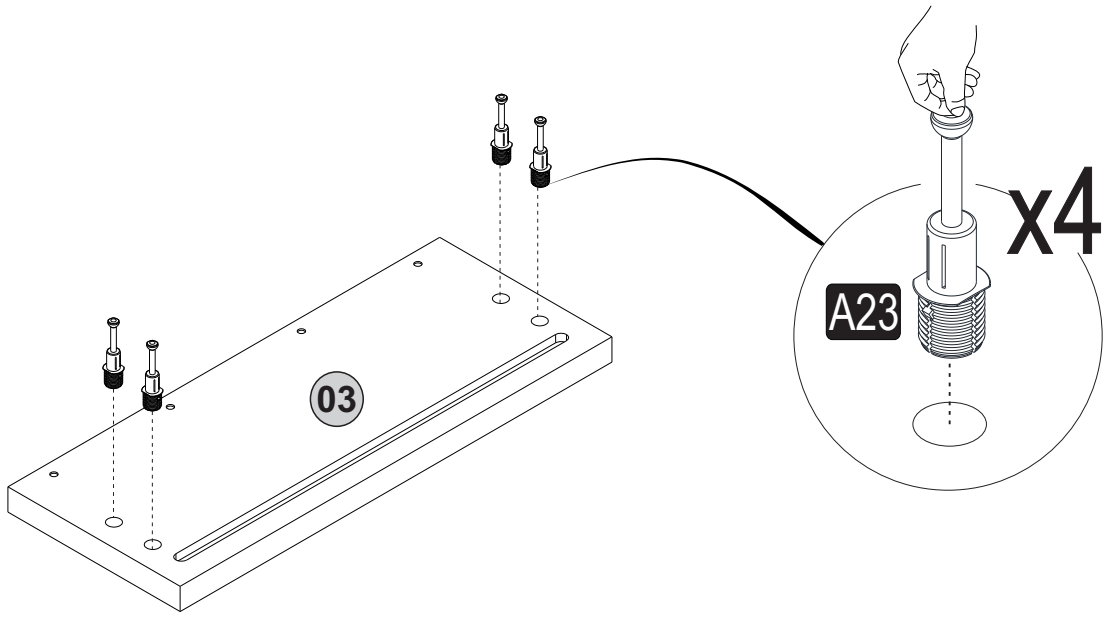
11



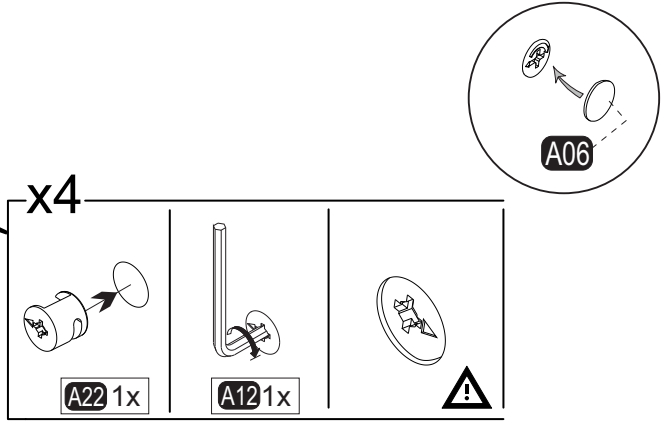
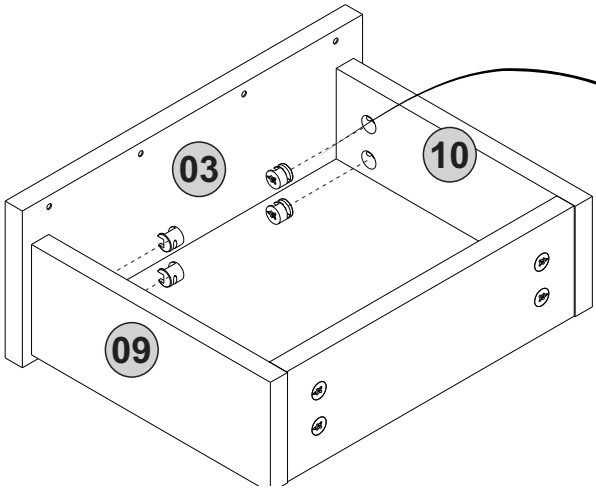
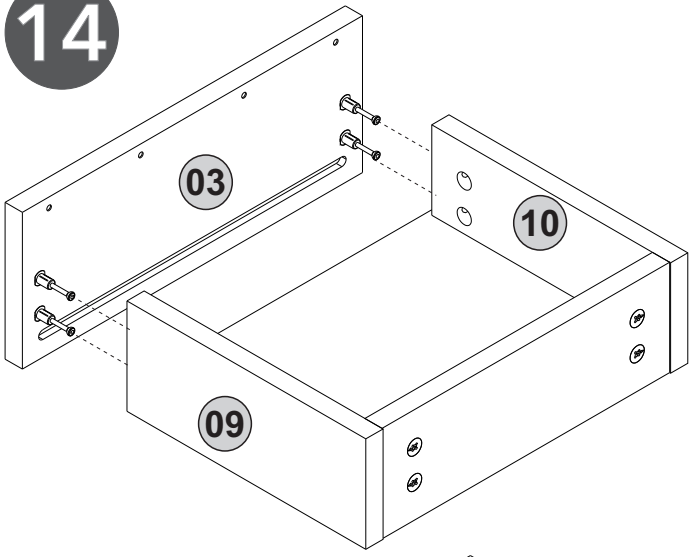
12



13

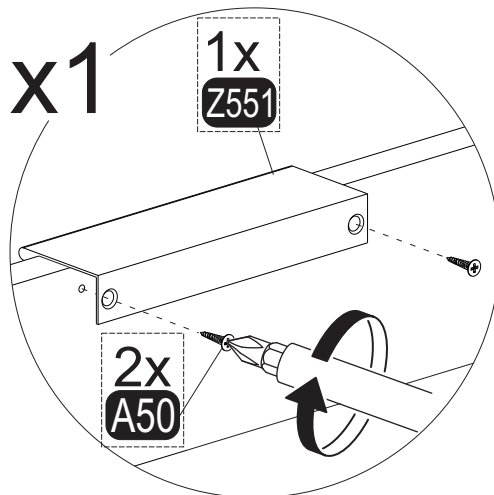
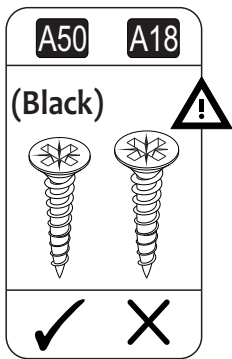
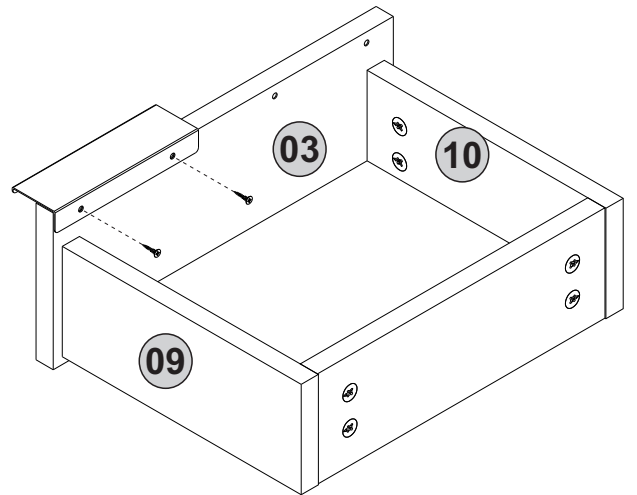
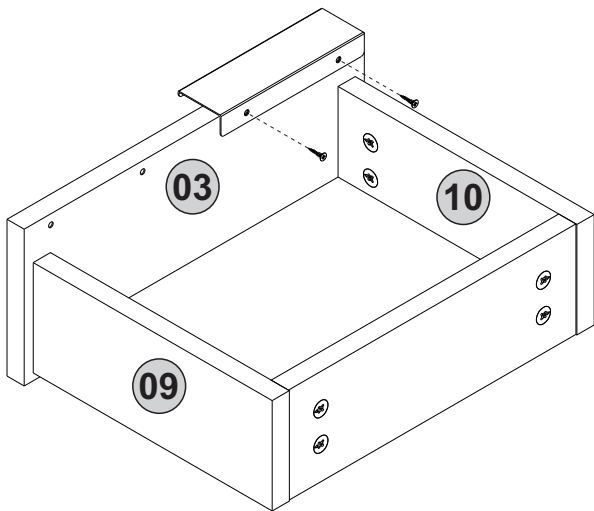
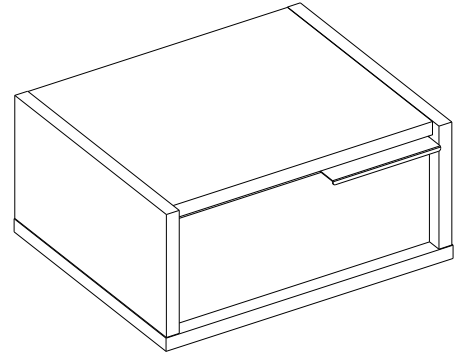
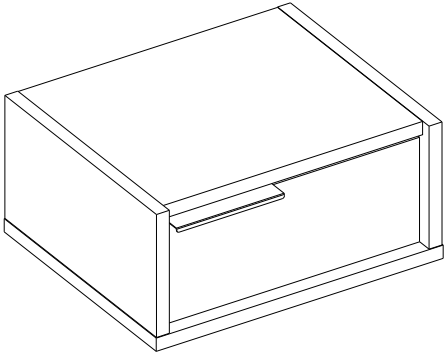


14

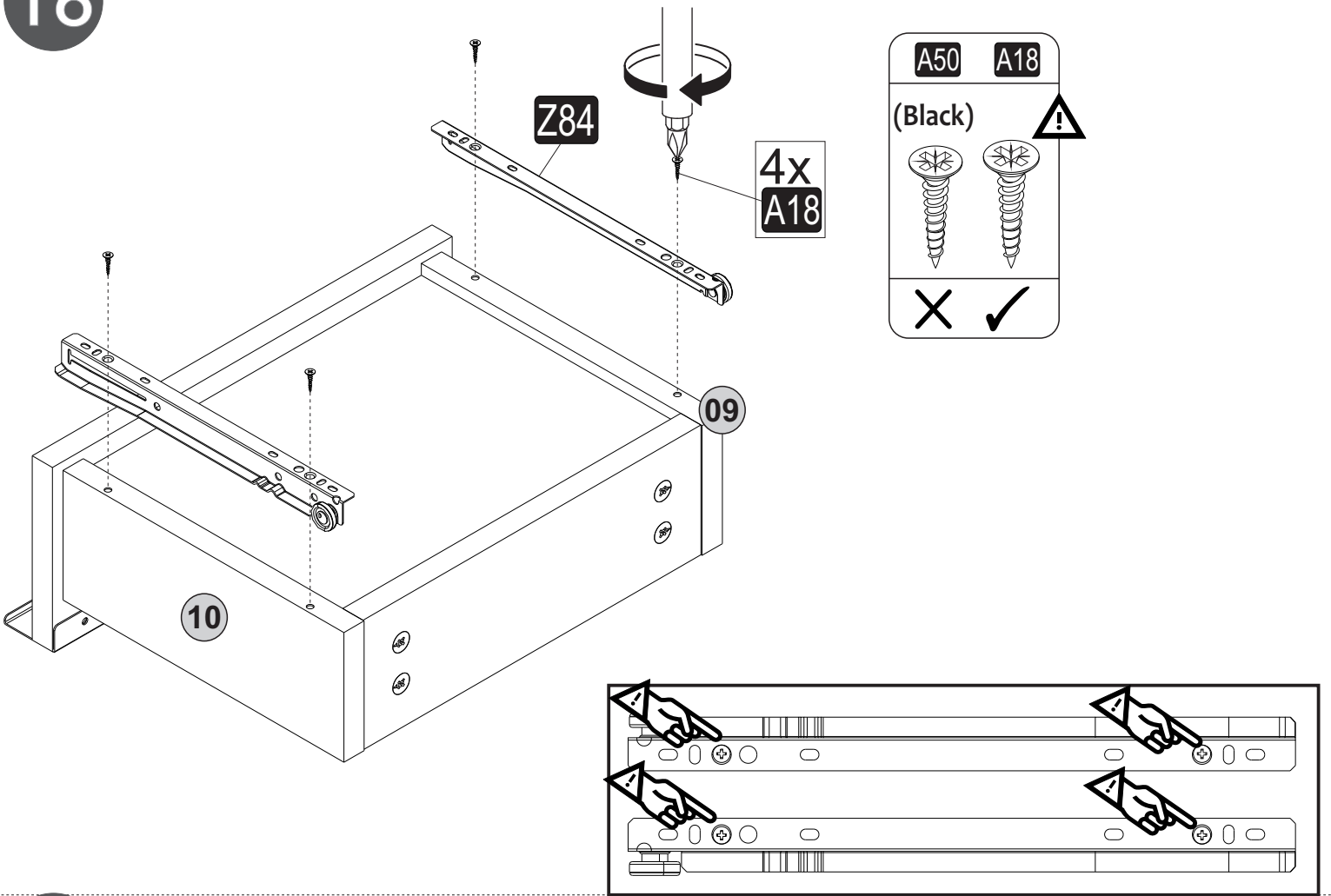


Version 1

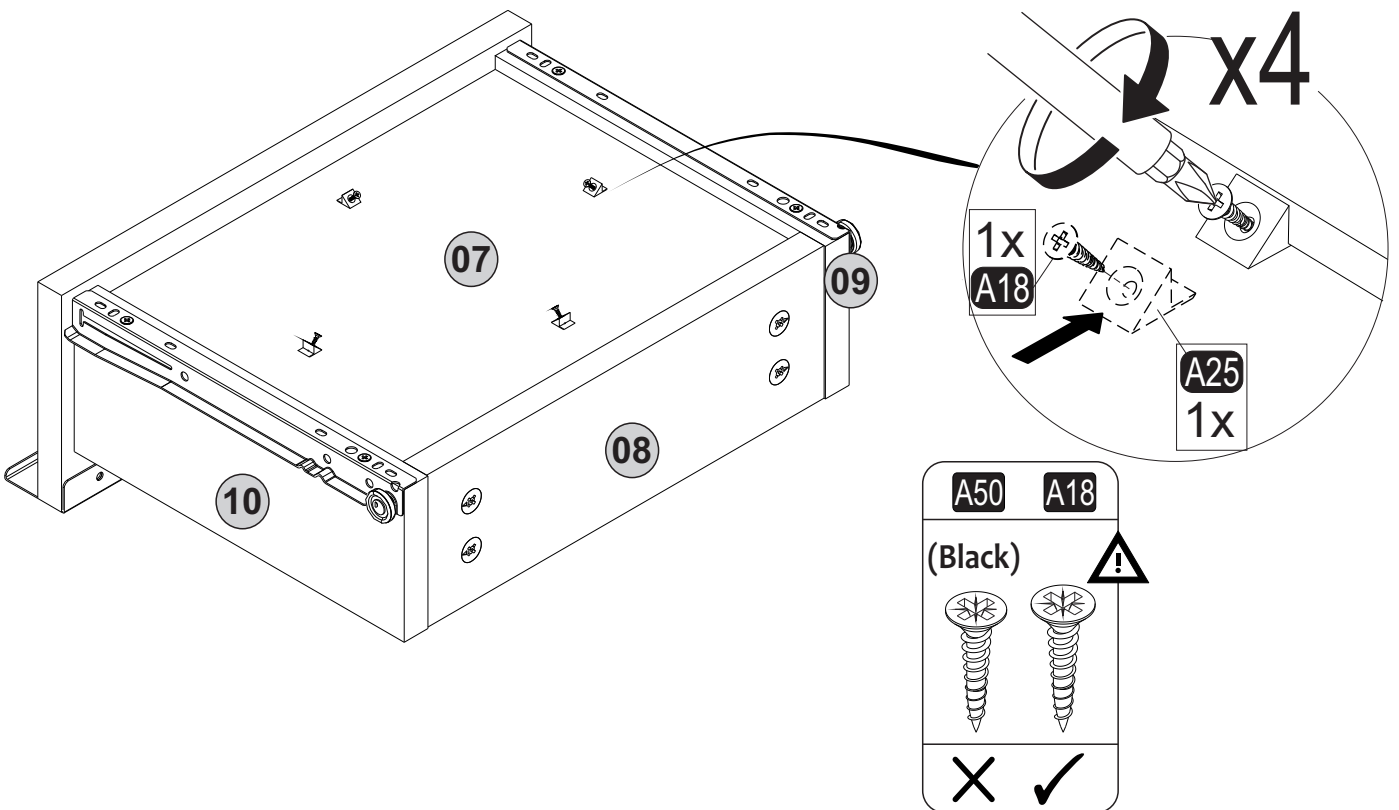
Version 2



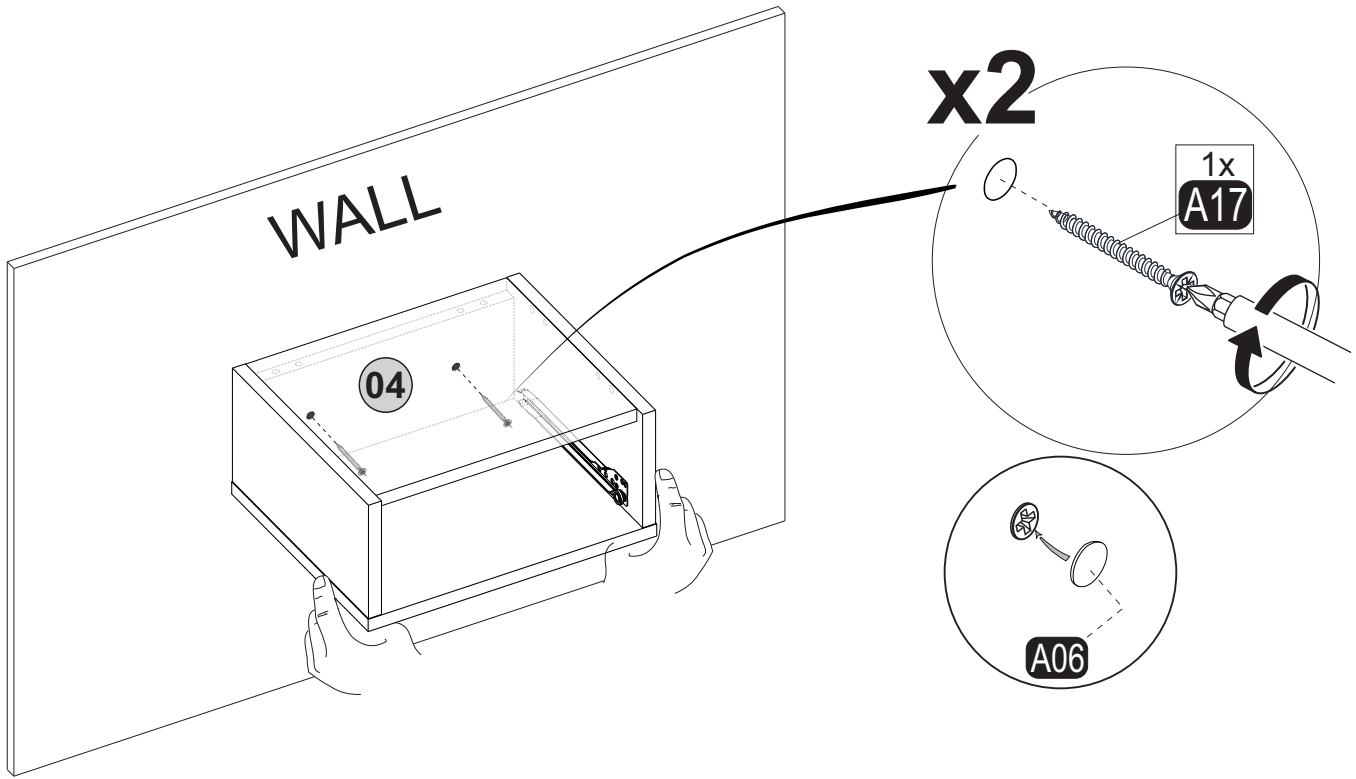
16



17

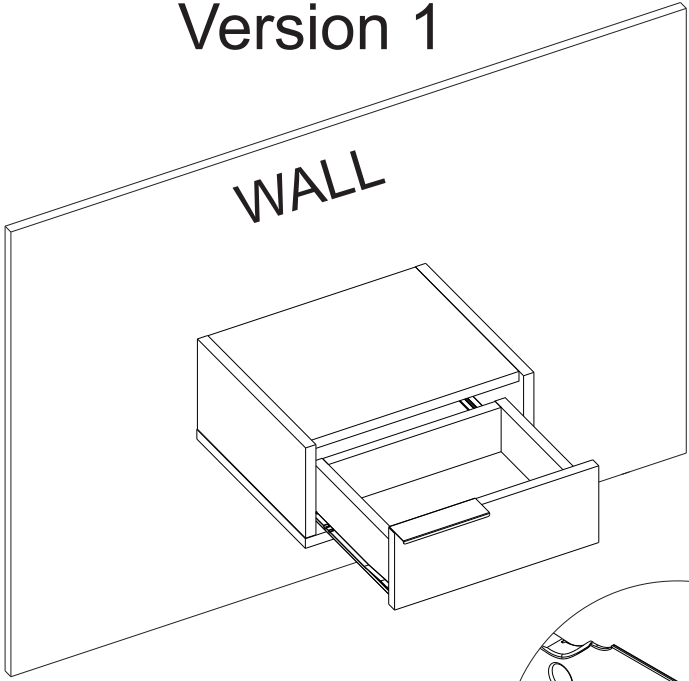


18

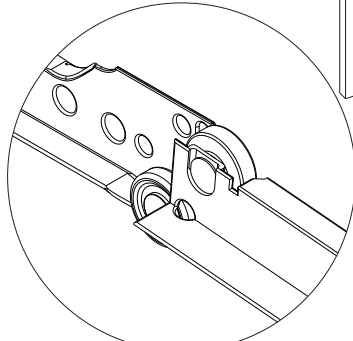
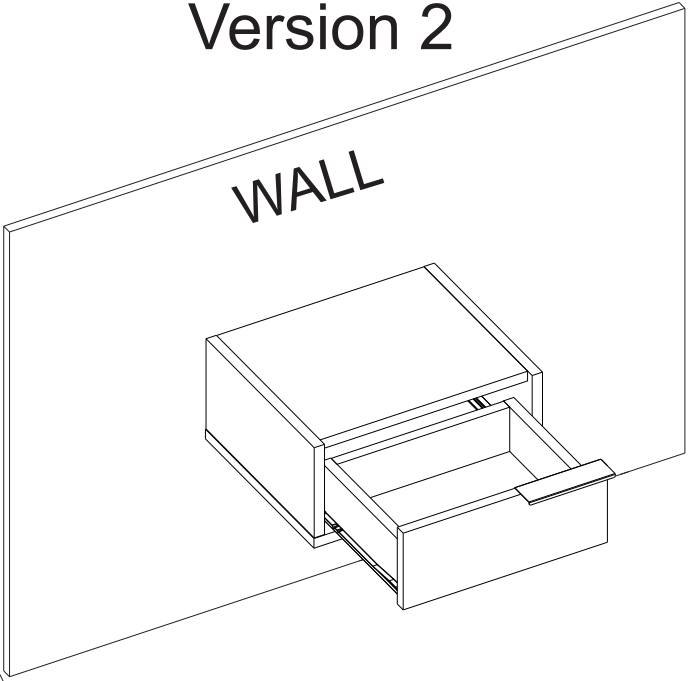


19

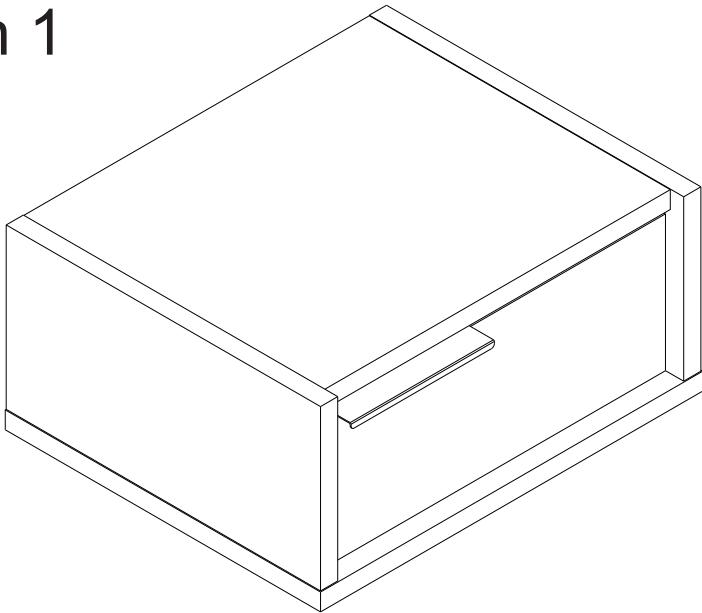
Version 1



Version 2



Version 1



Version 2

