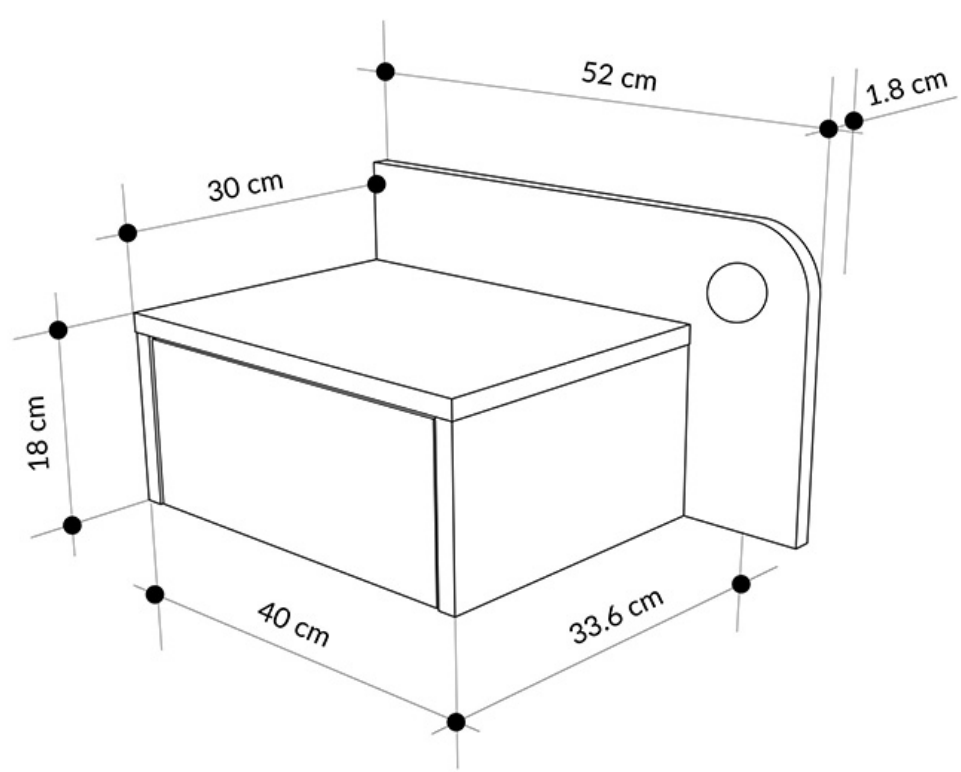
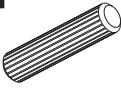





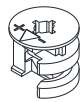

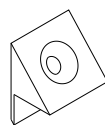

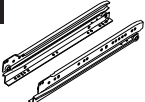



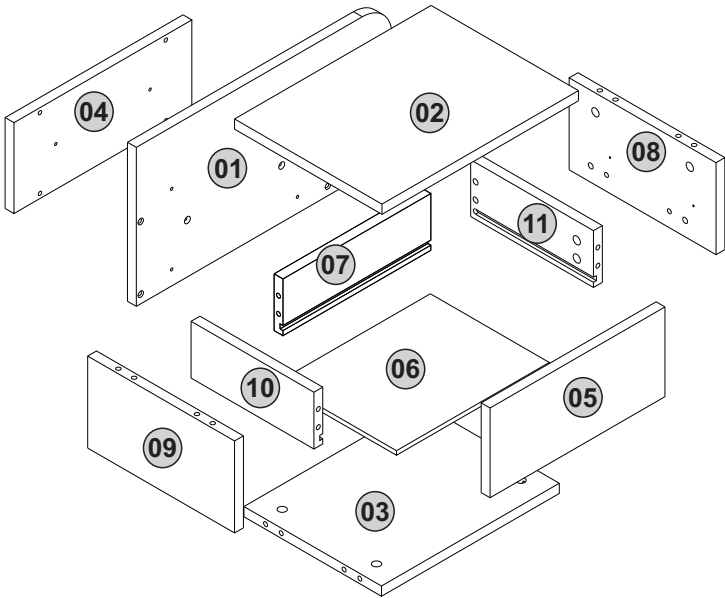


**i** GP037-0281,1

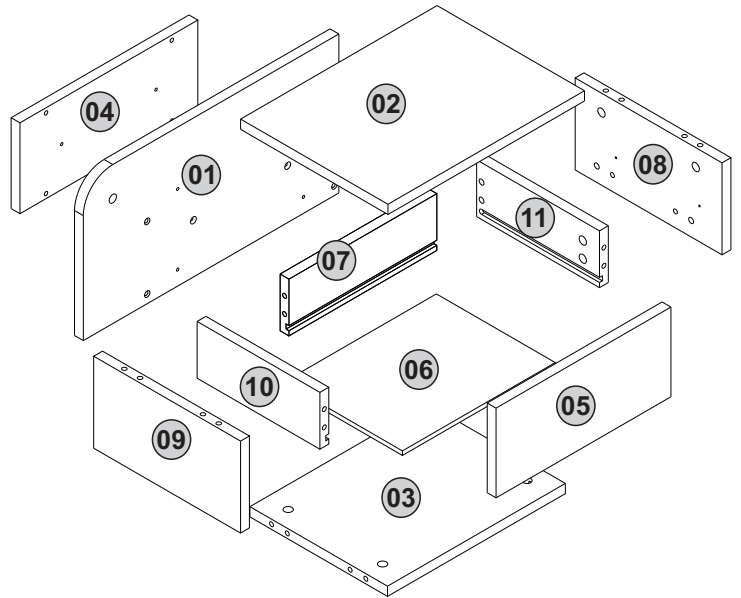


<b>A04</b> Ø8 8x 	<b>A06</b> 18mm C1-20x C2-6x 	<b>A12</b> Allen 1x 	<b>A13</b> 50mm 8x 	<b>A16</b> DbØ8 2x 
<b>A18</b> 3,5x18 12x 	<b>A22</b> Minifix k18 16x 	<b>A23</b> Minifix M10 16x 	<b>A25</b> ARK.PL 4x 	<b>A53</b> 4X70 2x 
<b>Z84</b> Krt250 1x 	<b>A142.a</b> 1x 	<b>A142.b</b> 1x 	<b>A143</b> 1x 	

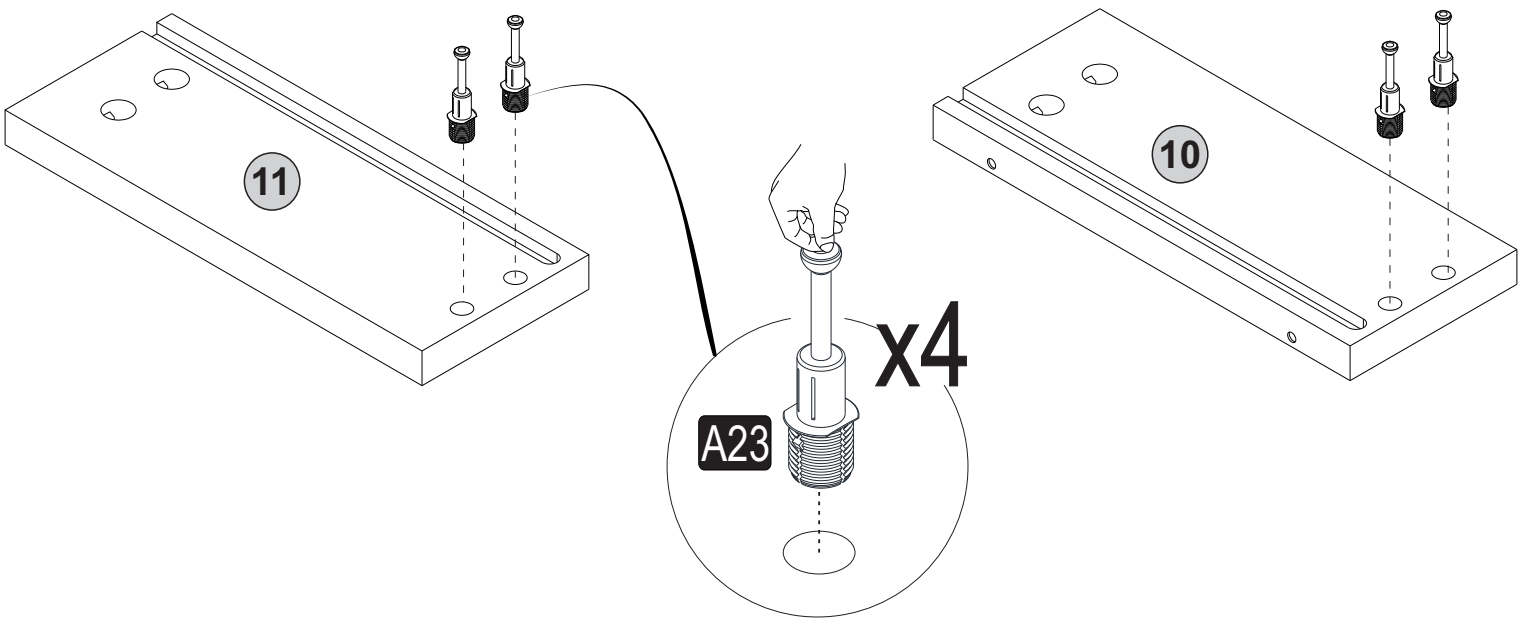
Version 1



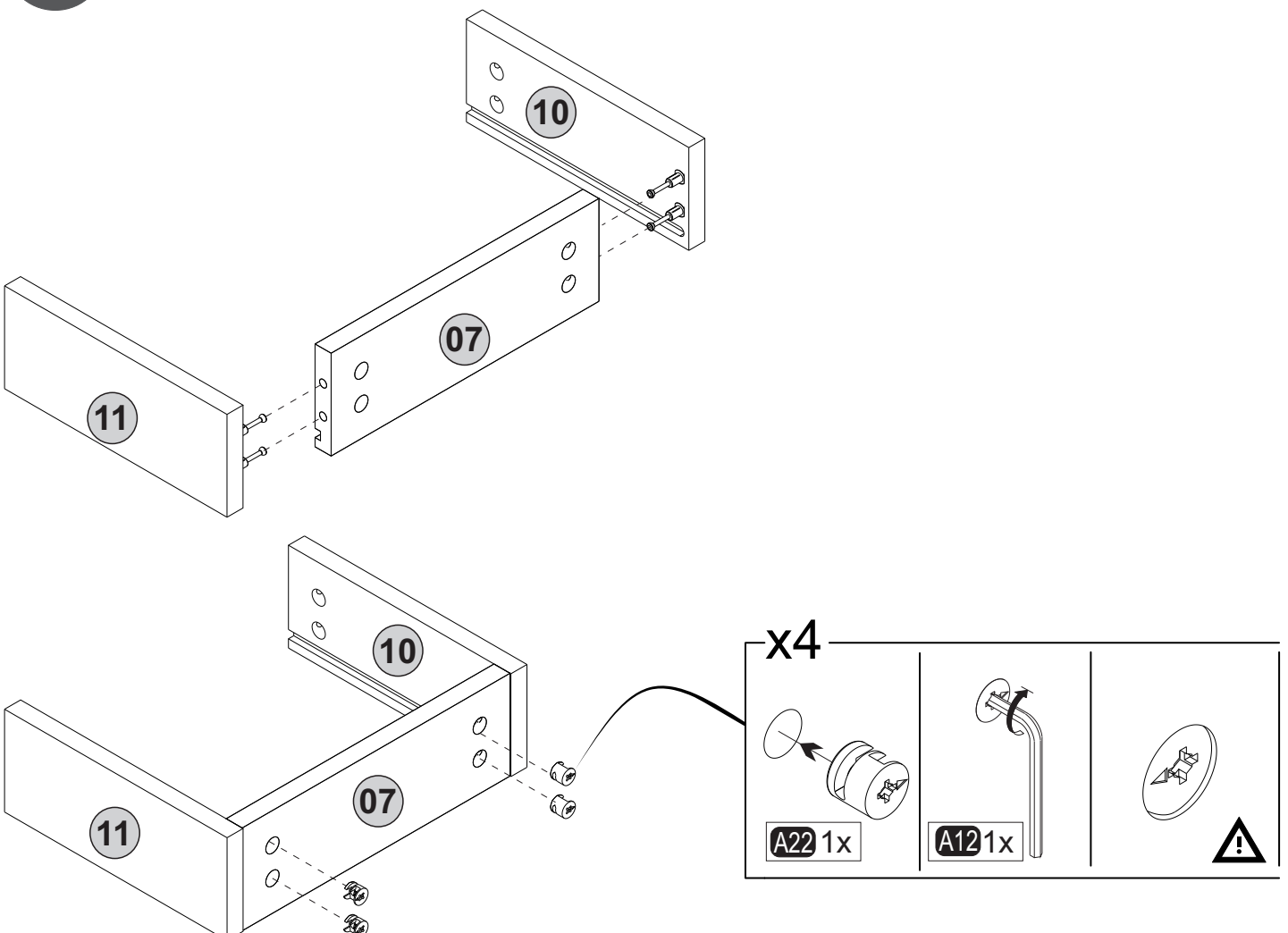
Version 2



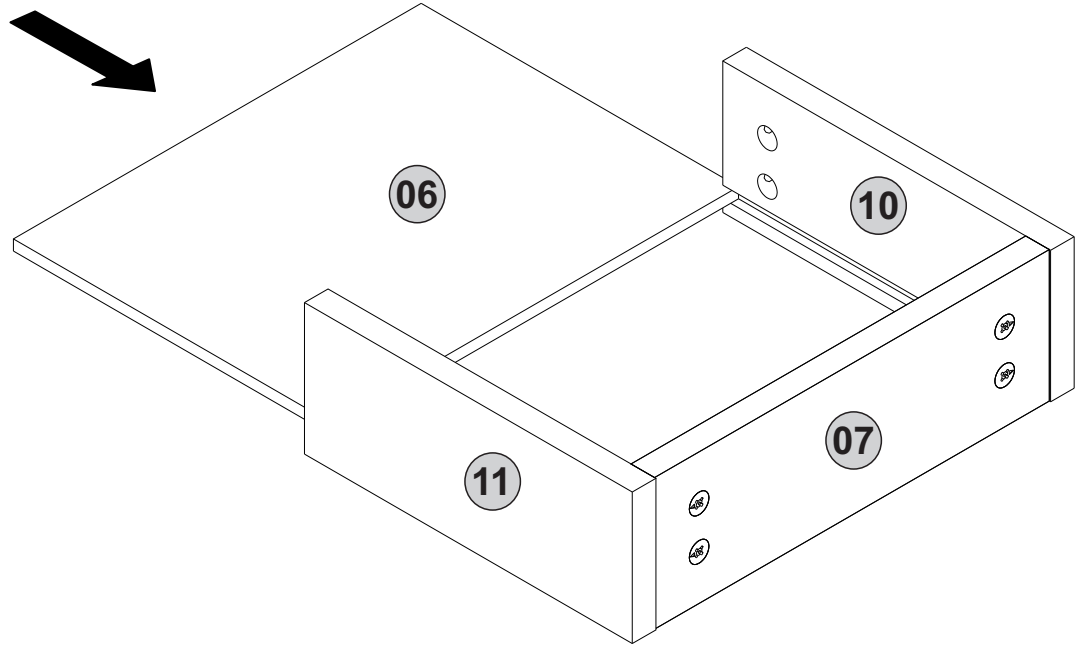
1



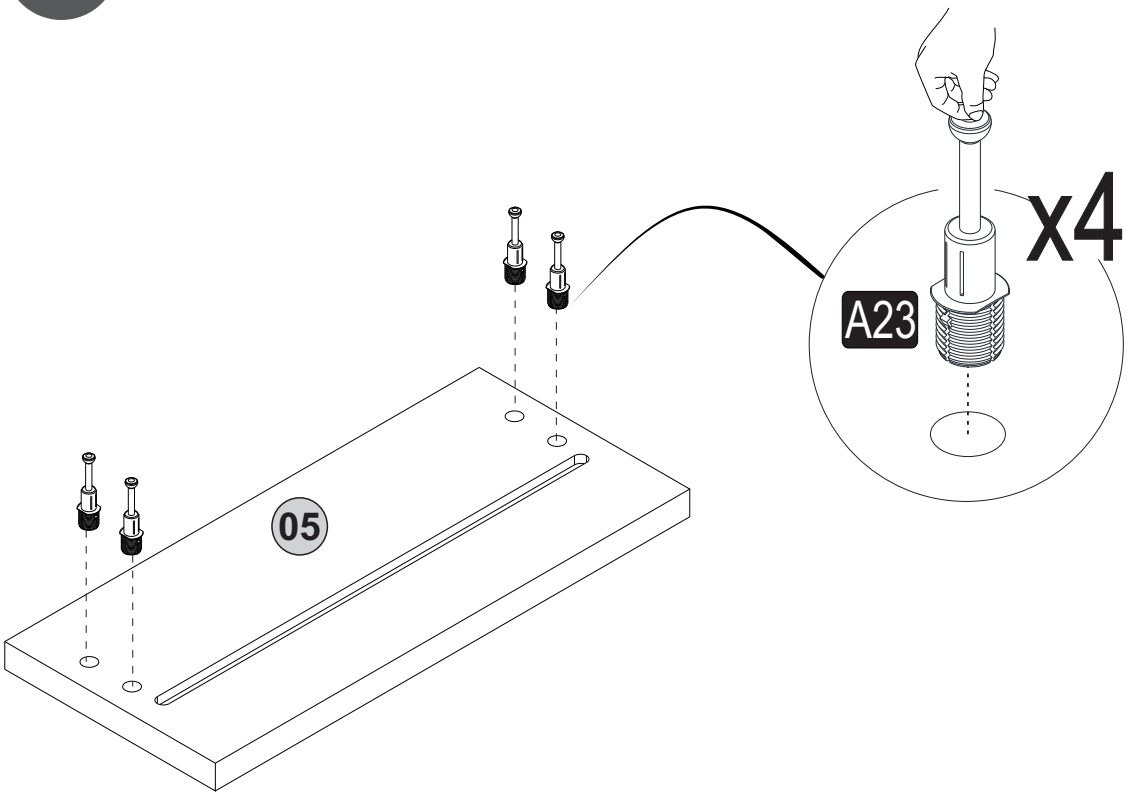
2

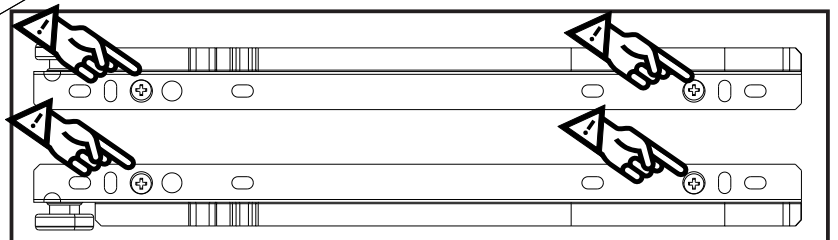
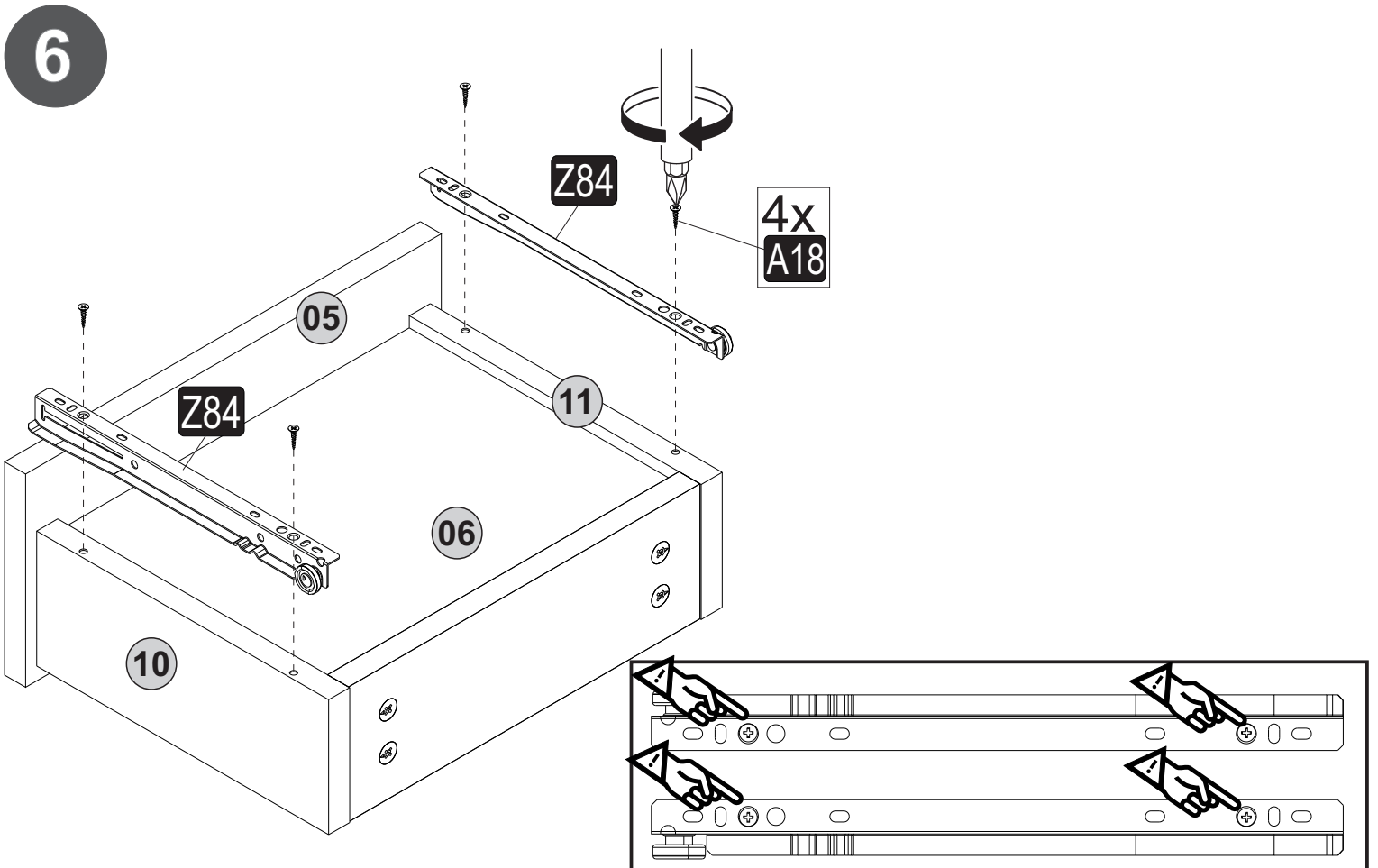
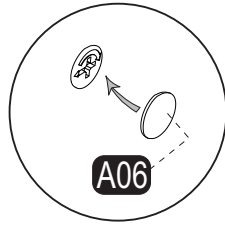
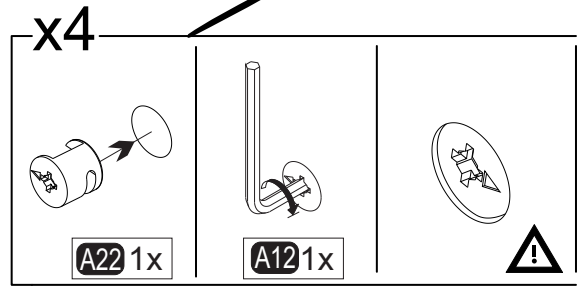
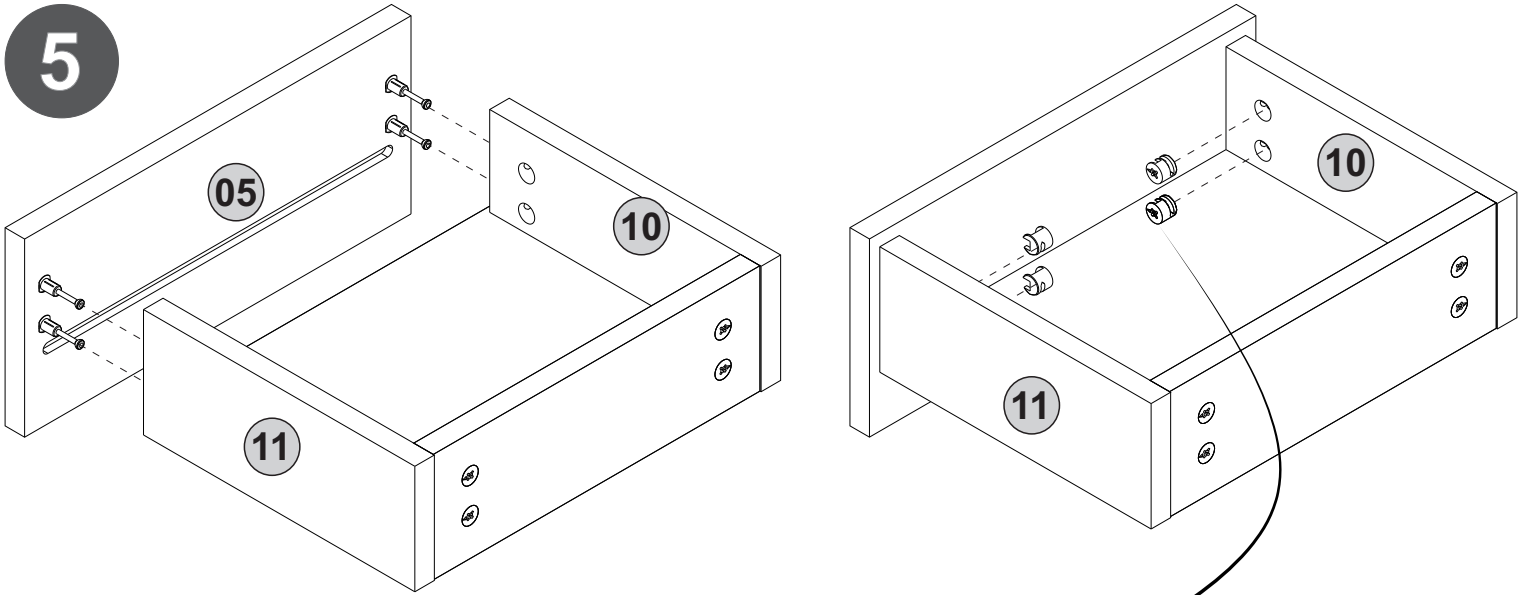


3

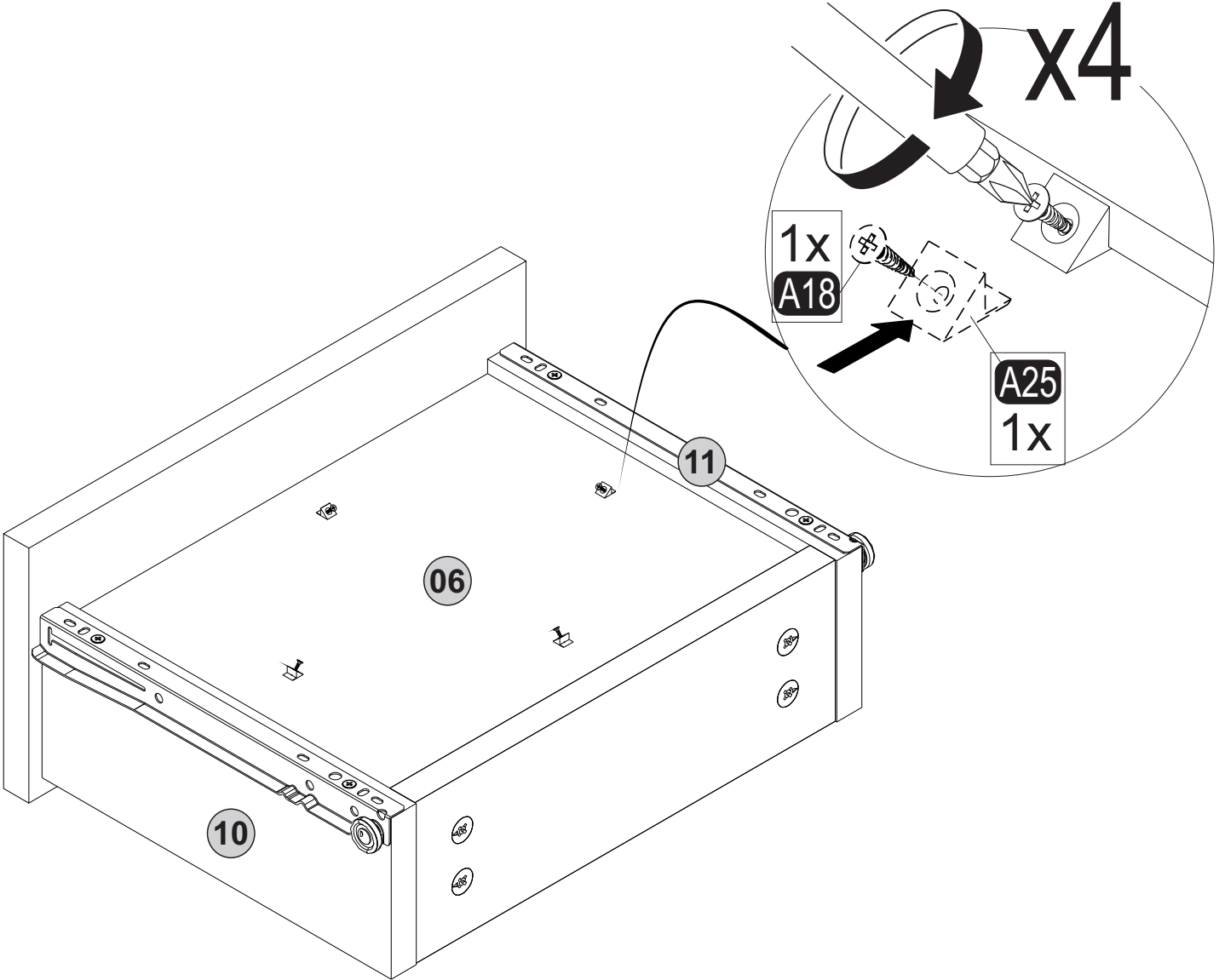


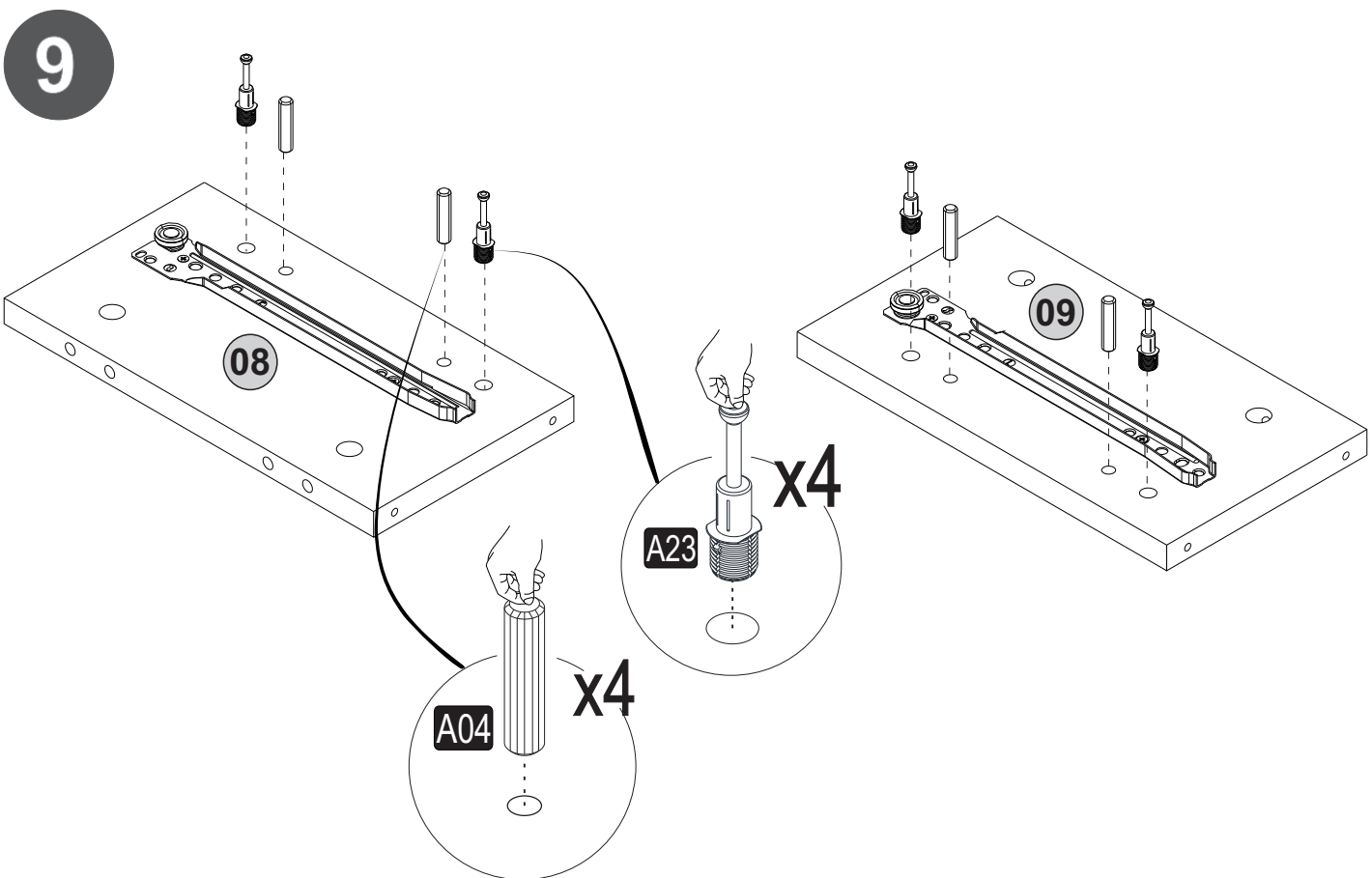
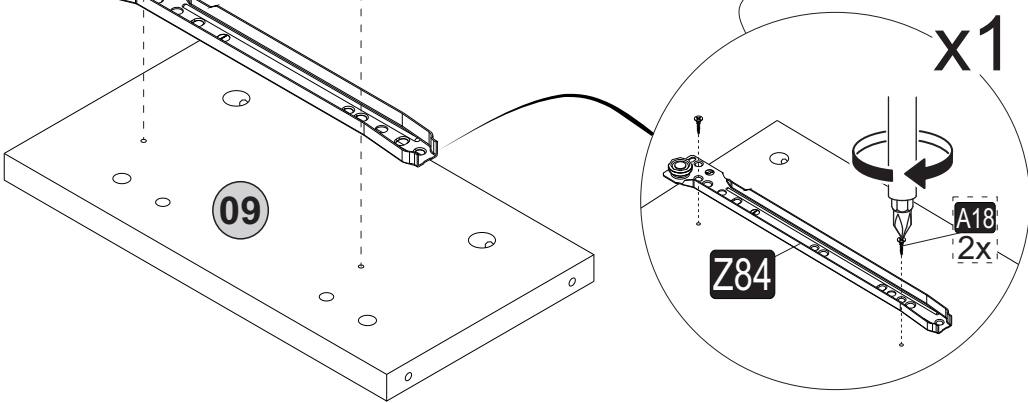
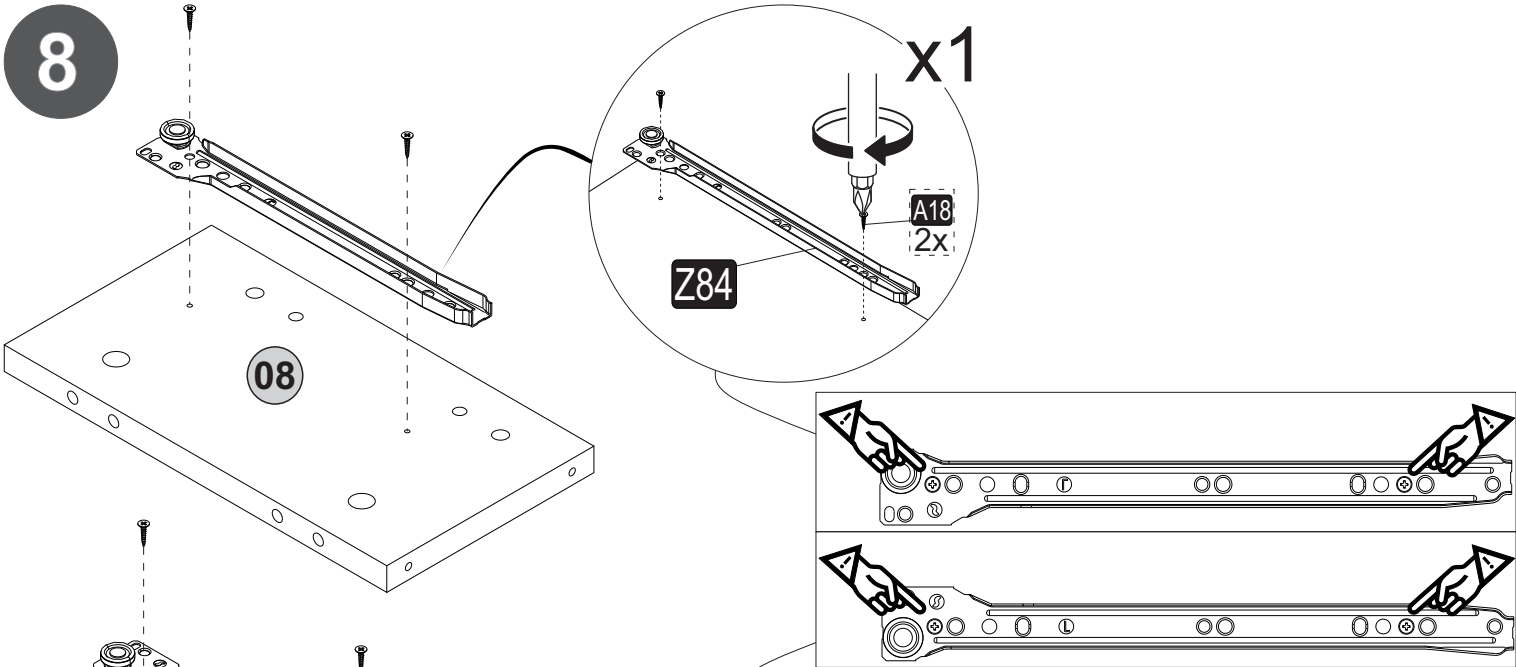
4



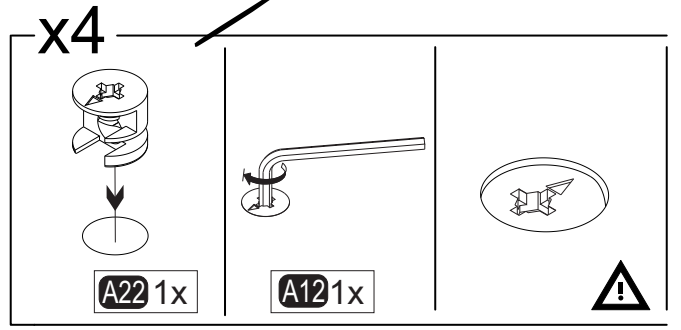
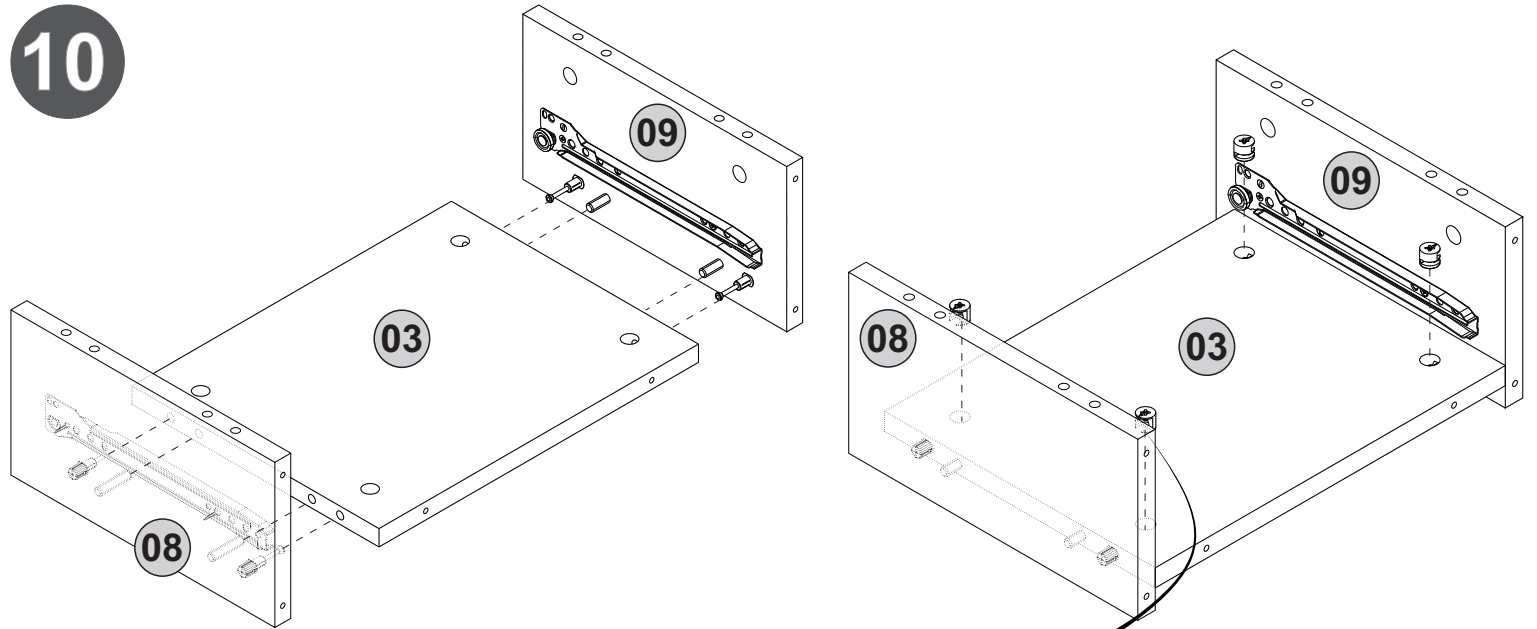


7

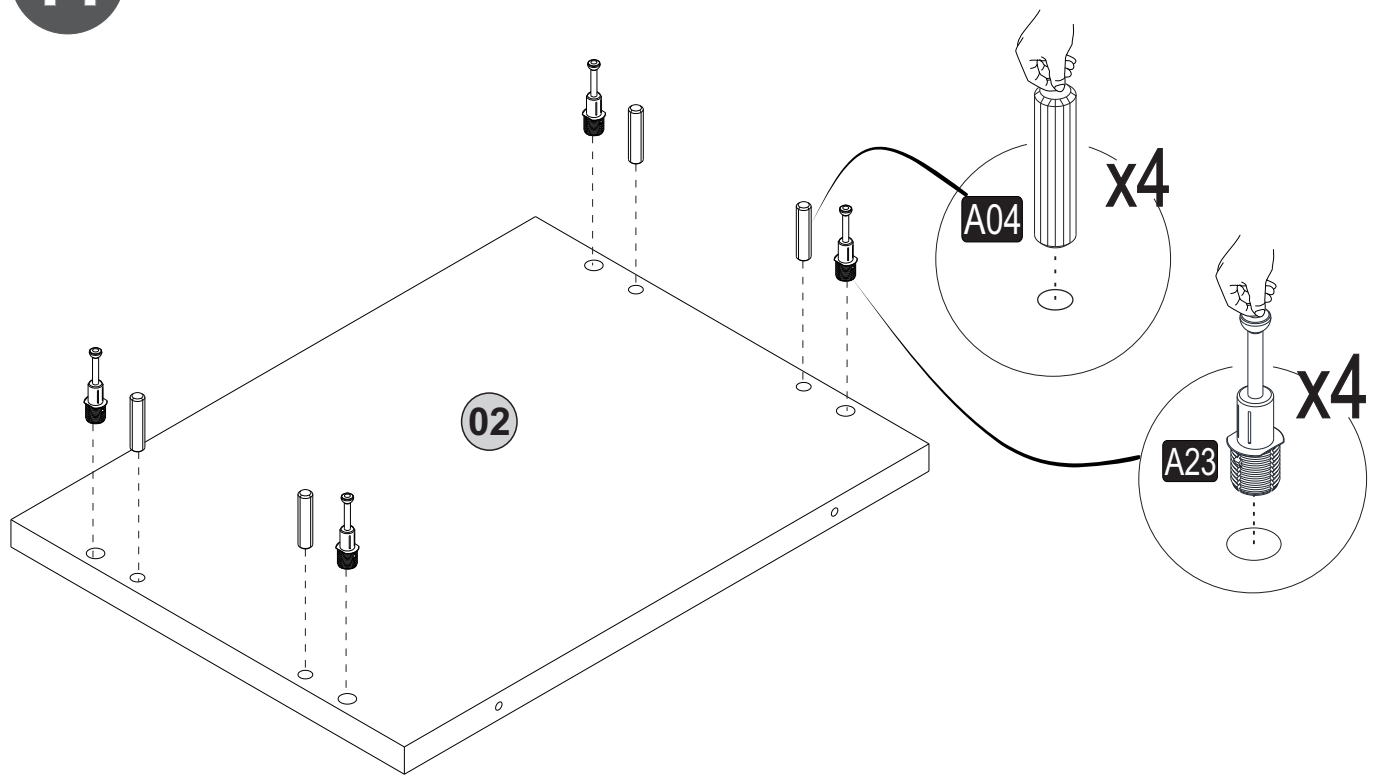




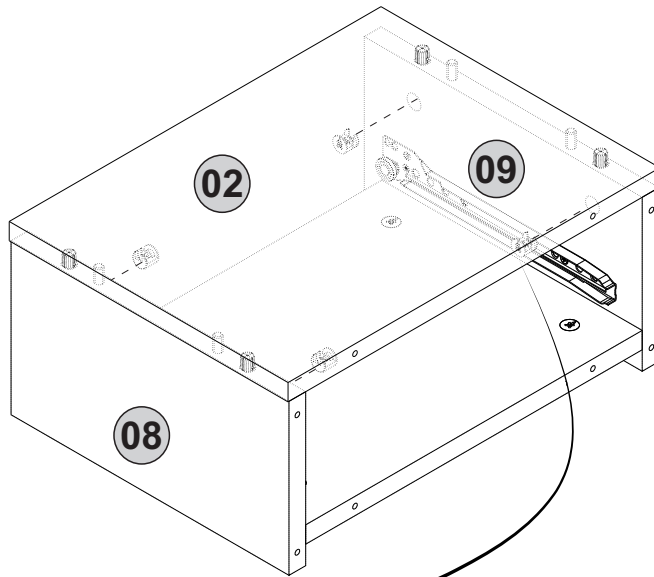
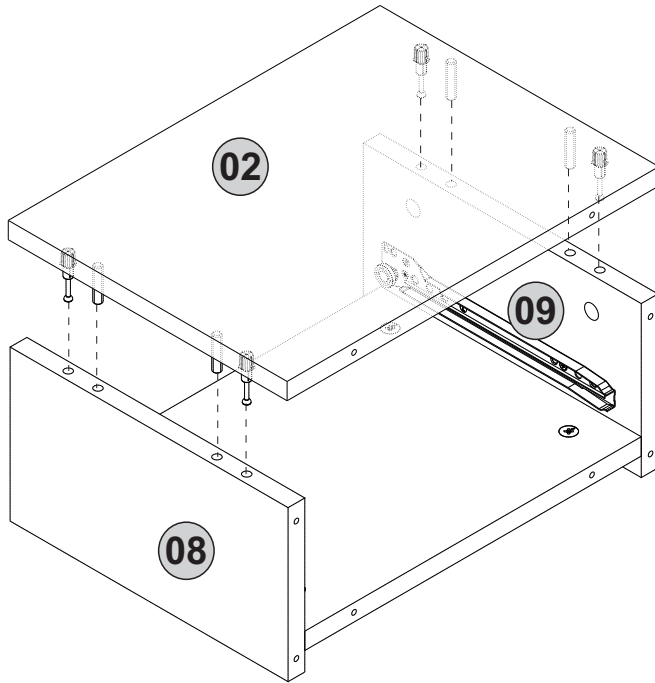
10



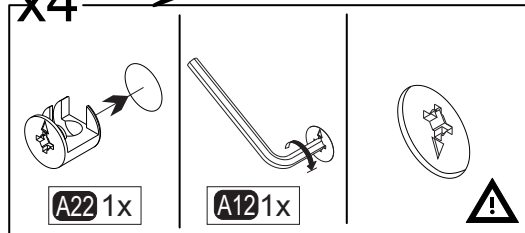
11



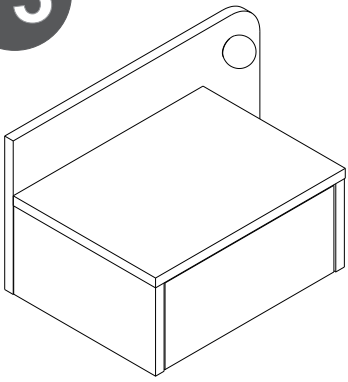
12



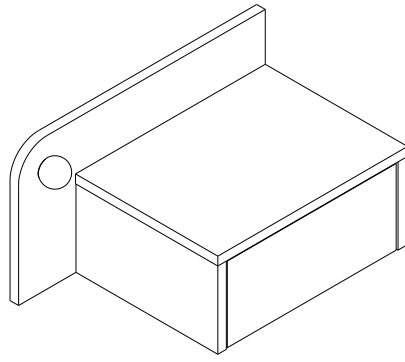
x4



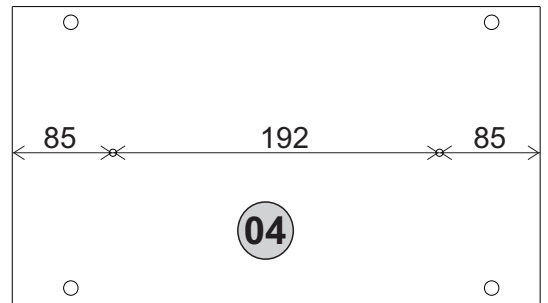
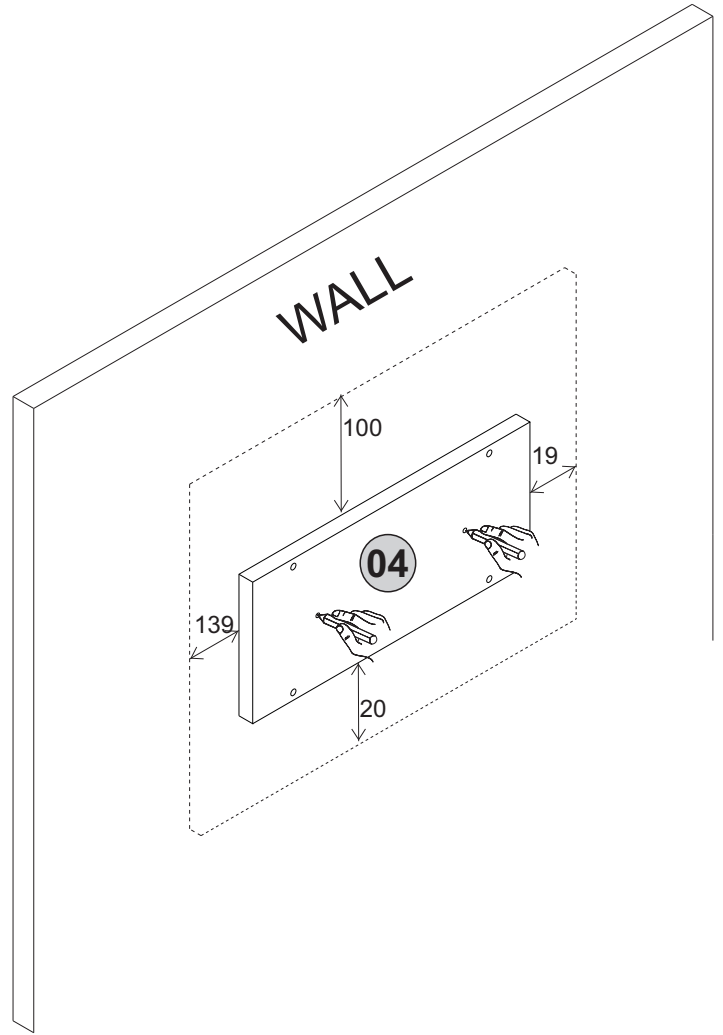
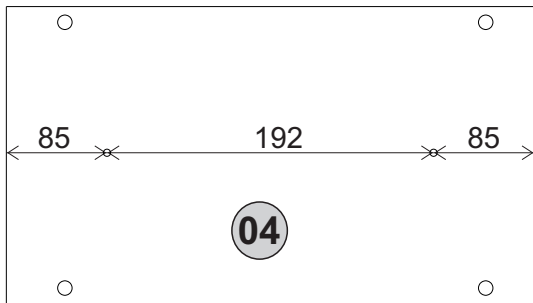
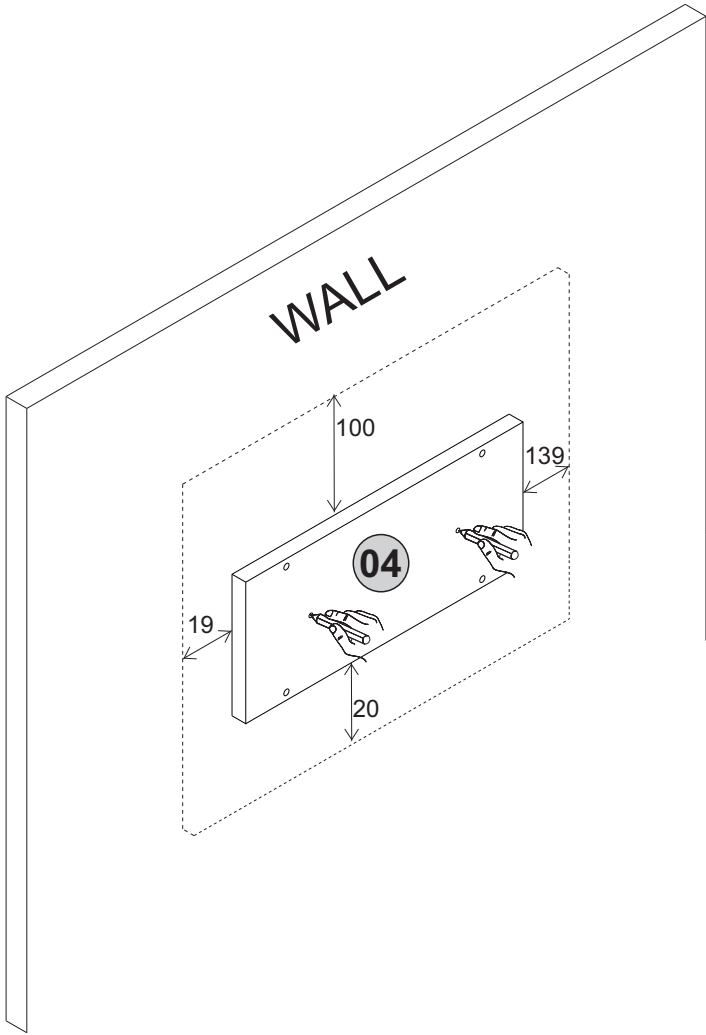
13



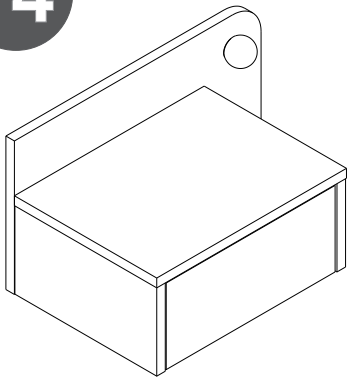
Version 1



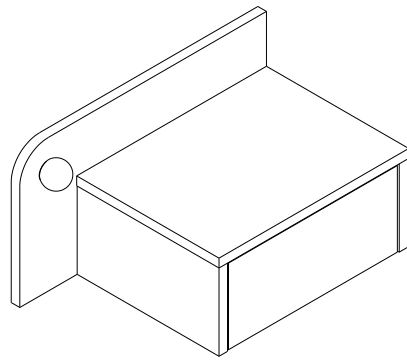
Version 2



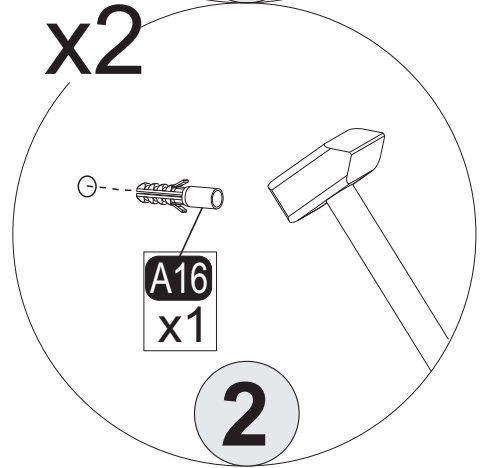
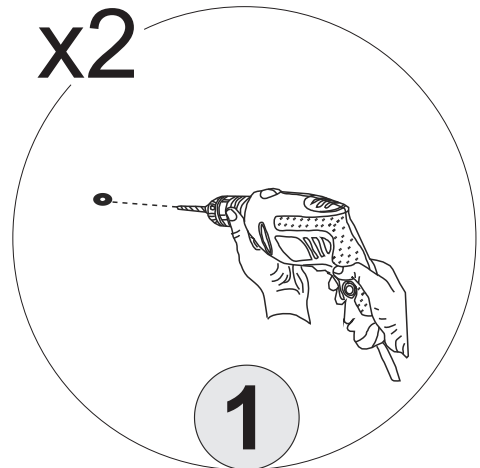
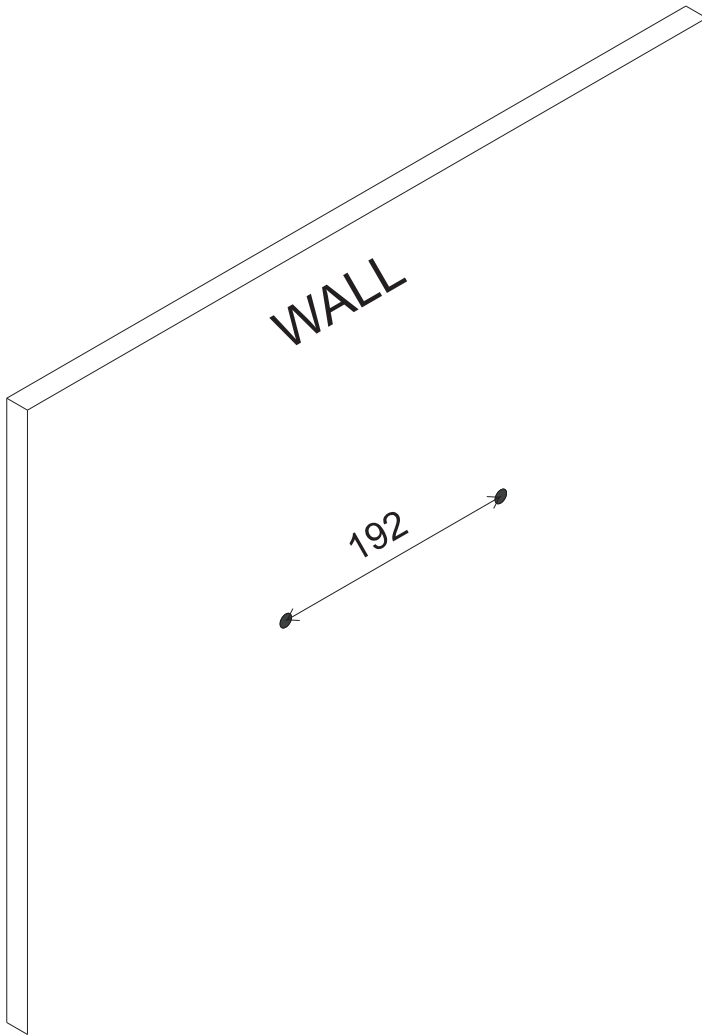
14



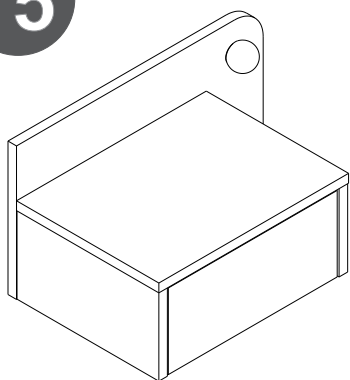
Version 1



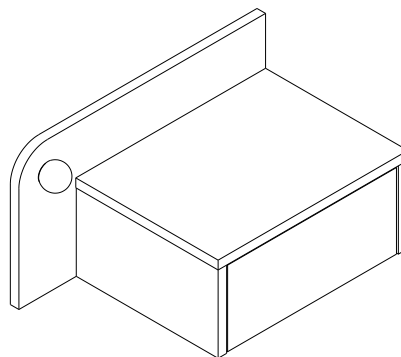
Version 2



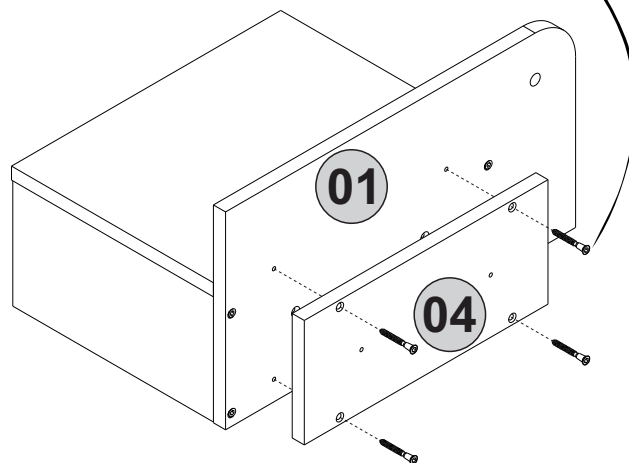
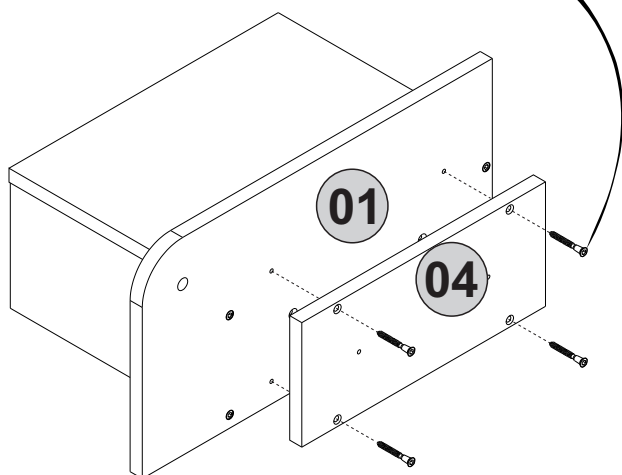
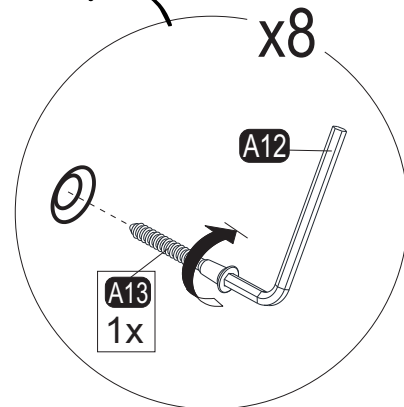
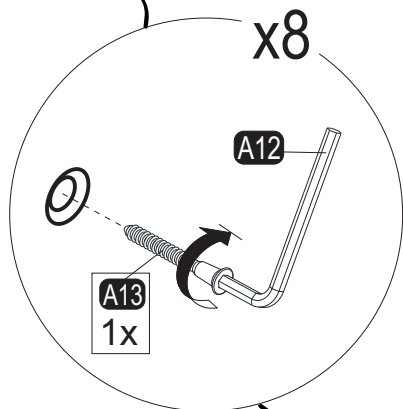
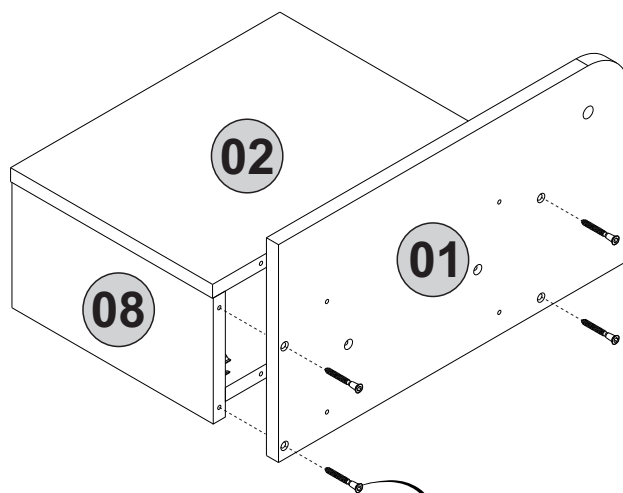
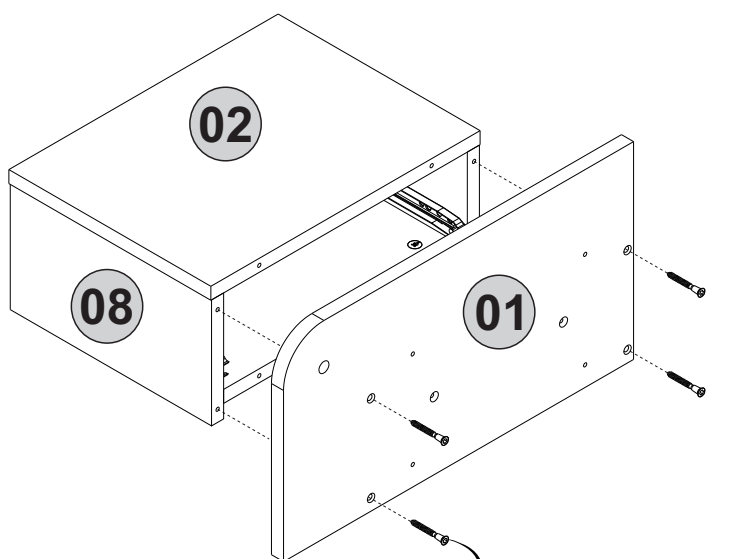
15



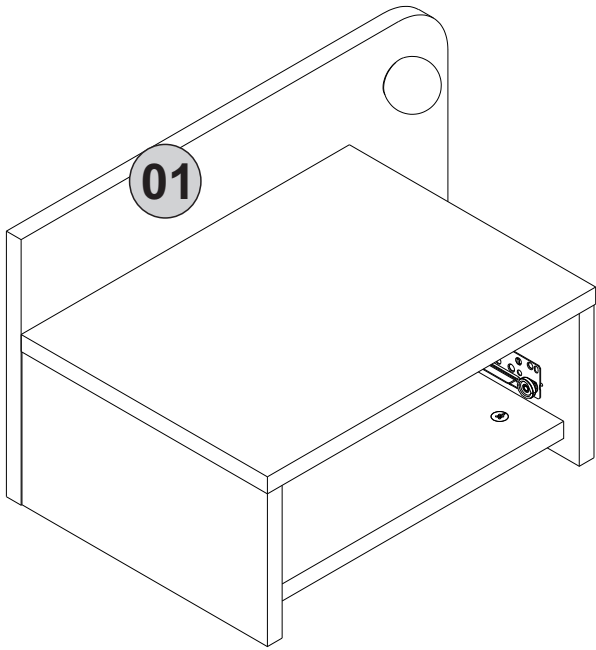
Version 1



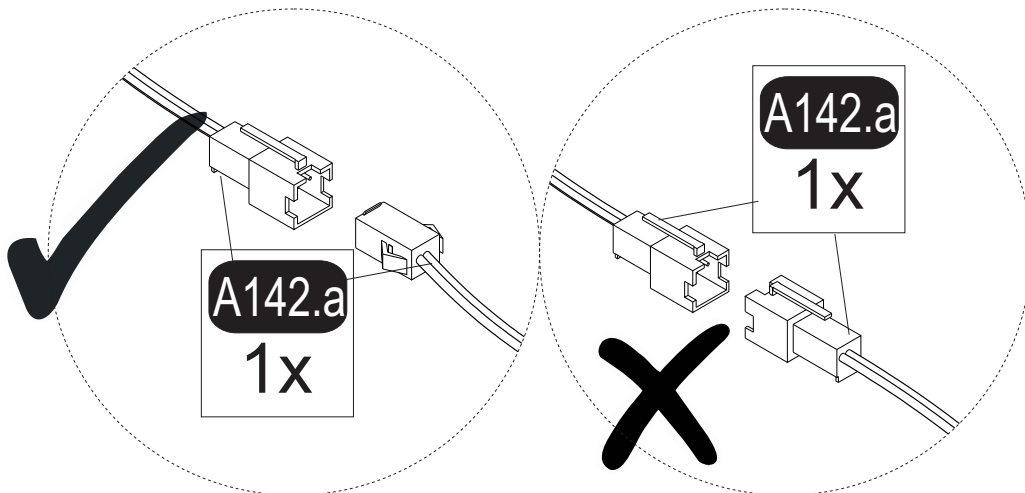
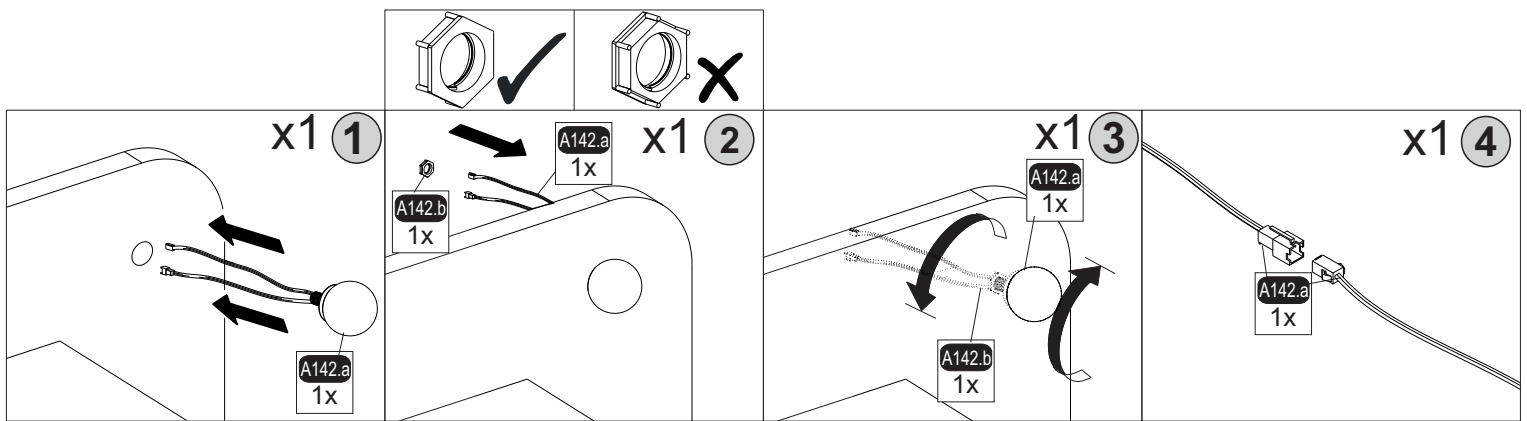
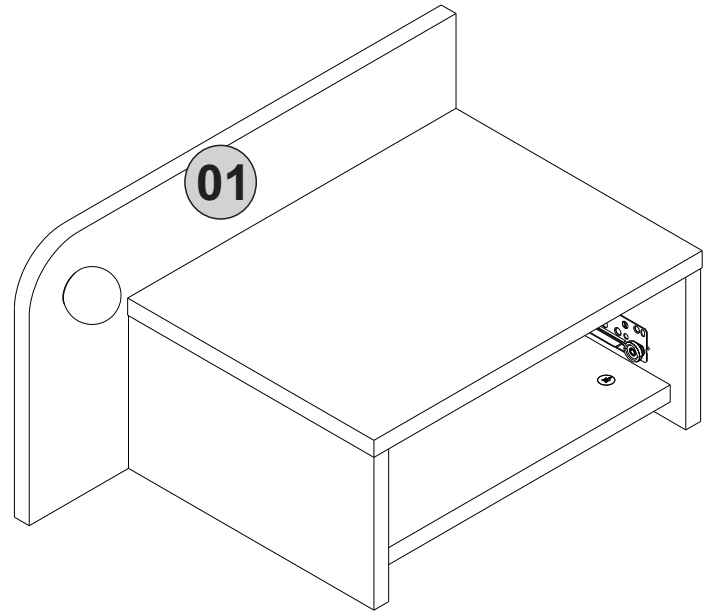
Version 2



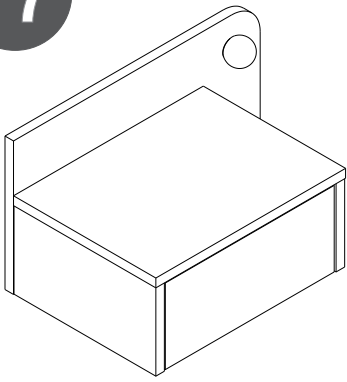
Version 1



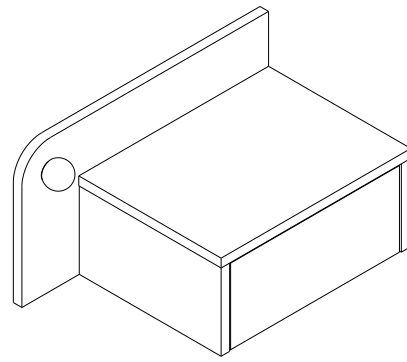
Version 2



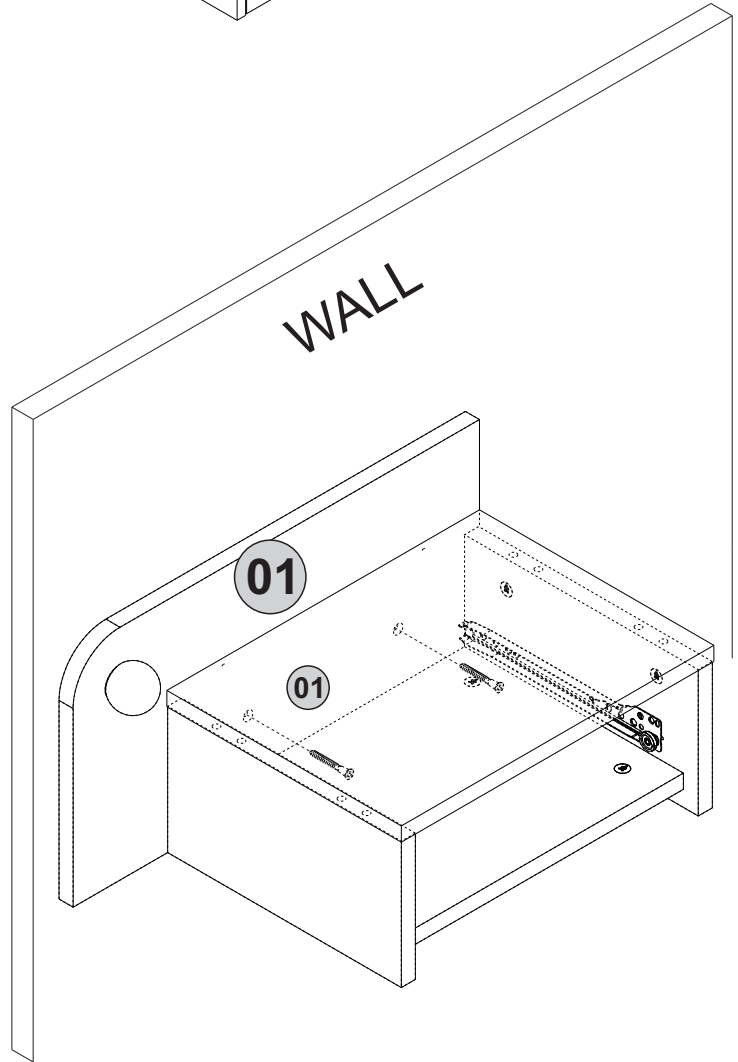
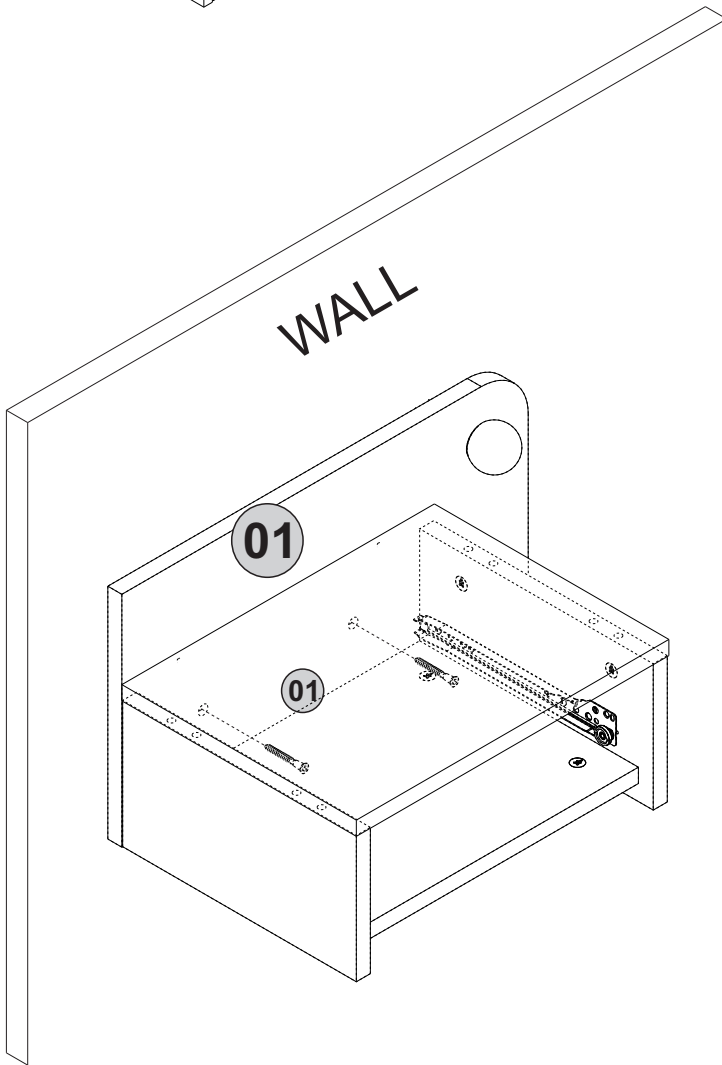
17



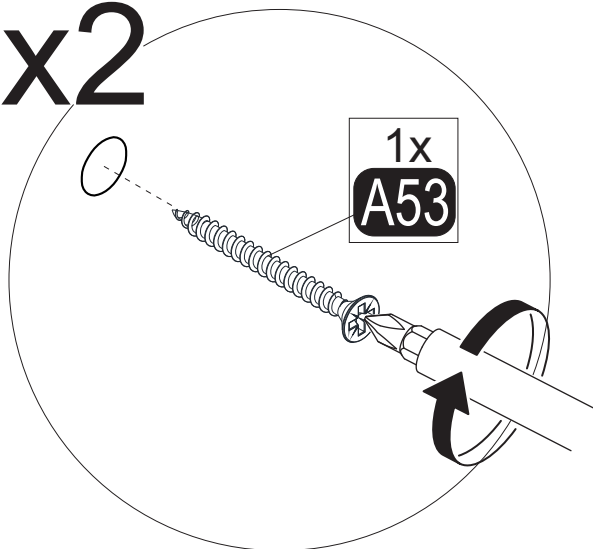
Version 1



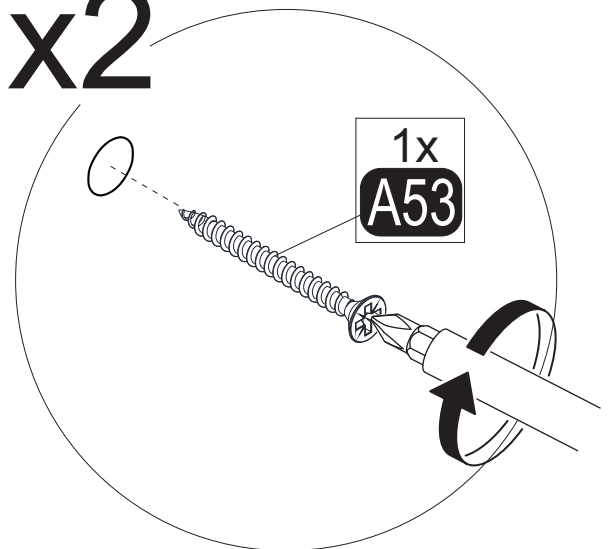
Version 2



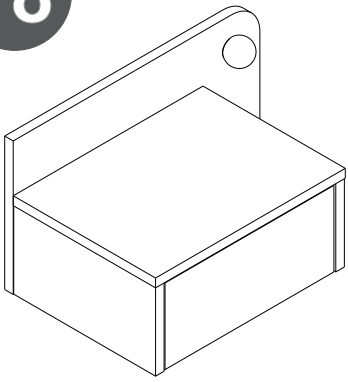
x2



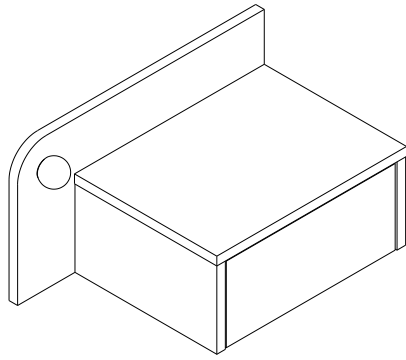
x2



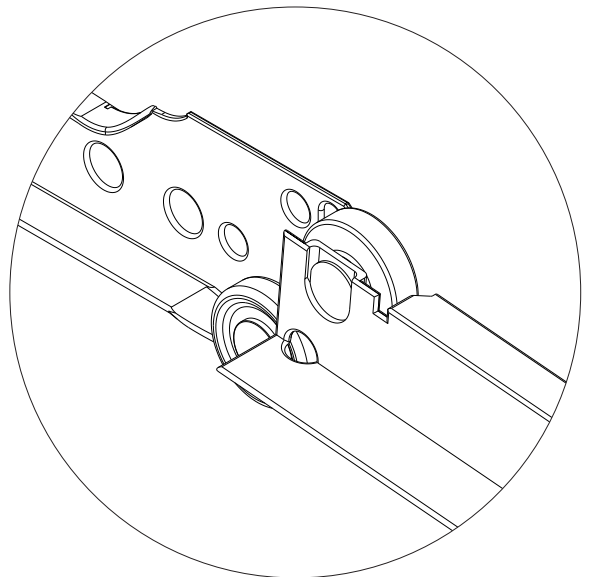
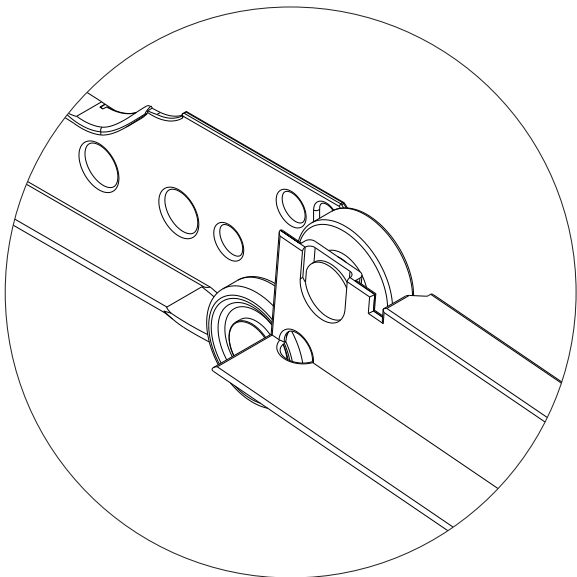
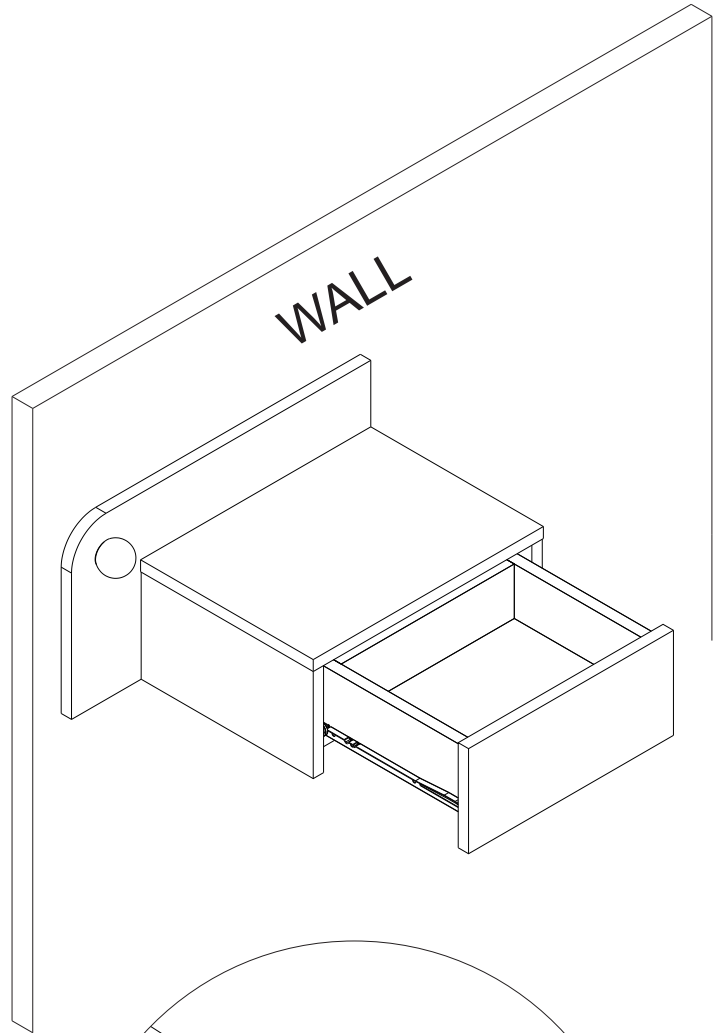
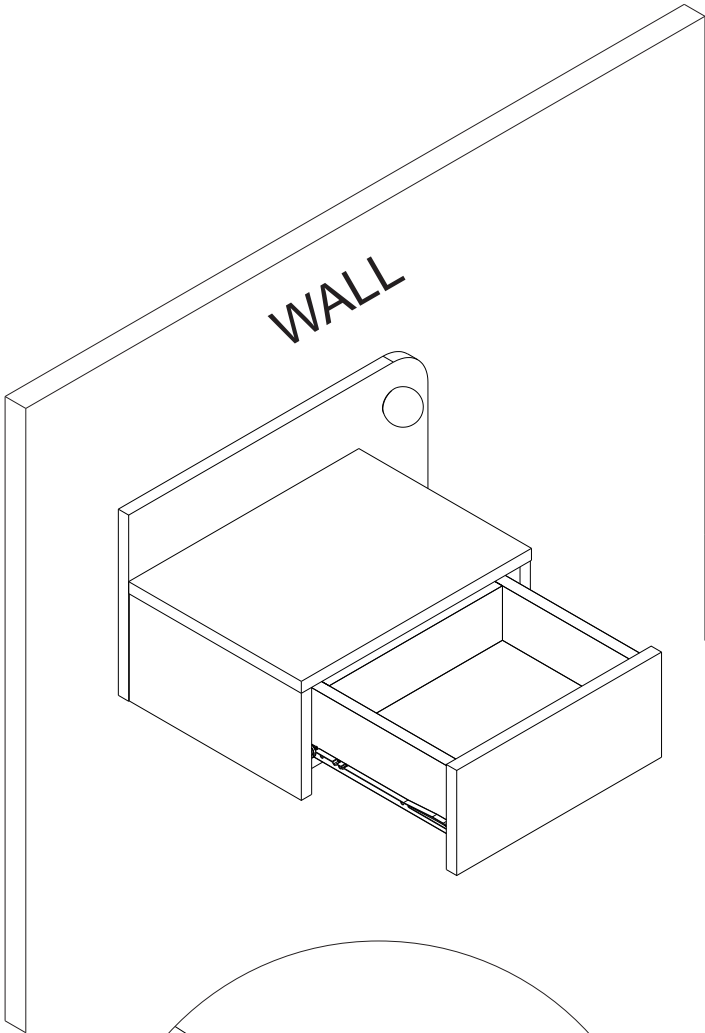
18

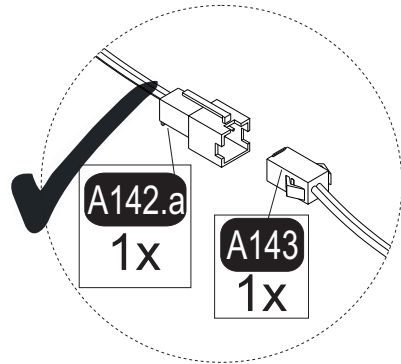
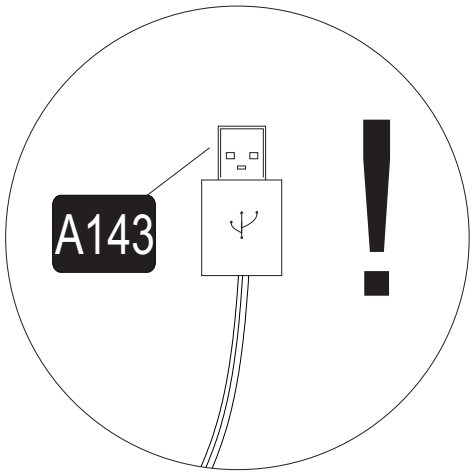
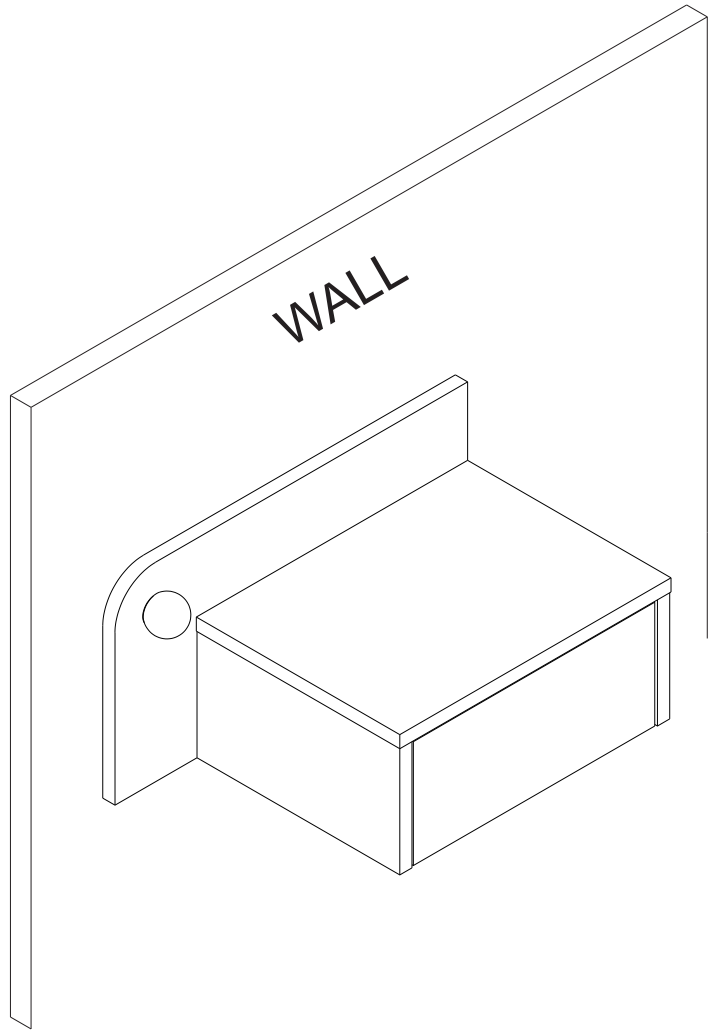
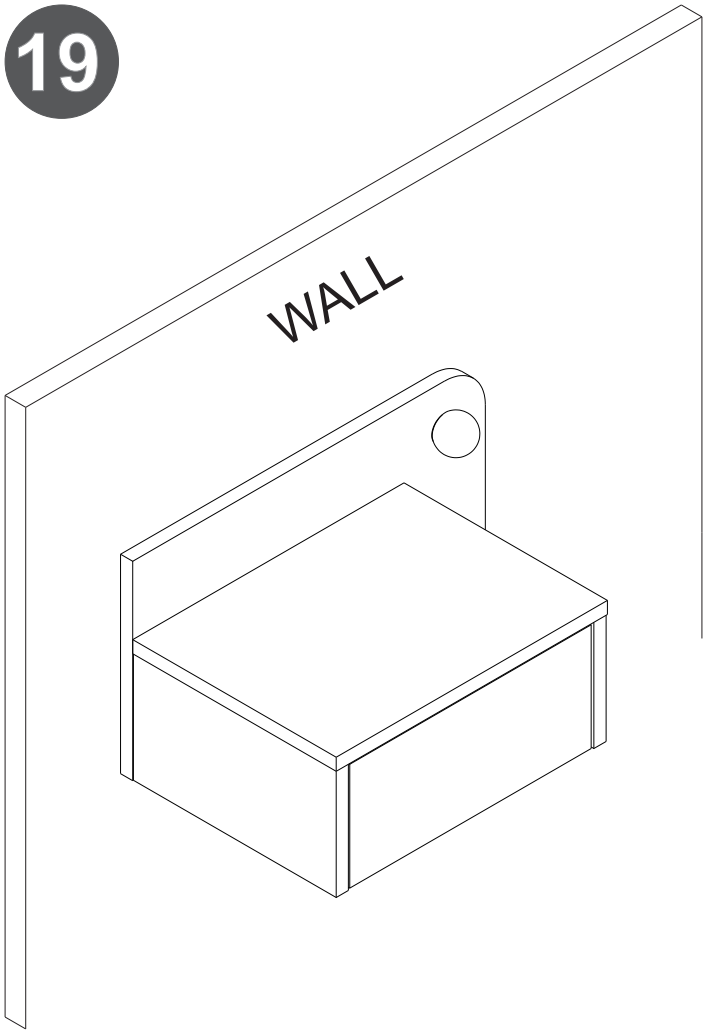


Version 1



Version 2





	<p>The amount of light changes when you press and hold</p>				
	<p>Color changes when you push and release</p>	<p>COLOUR1</p>	<p>COLOUR2</p>	<p>COLOUR3</p>	<p>ON/OFF</p>