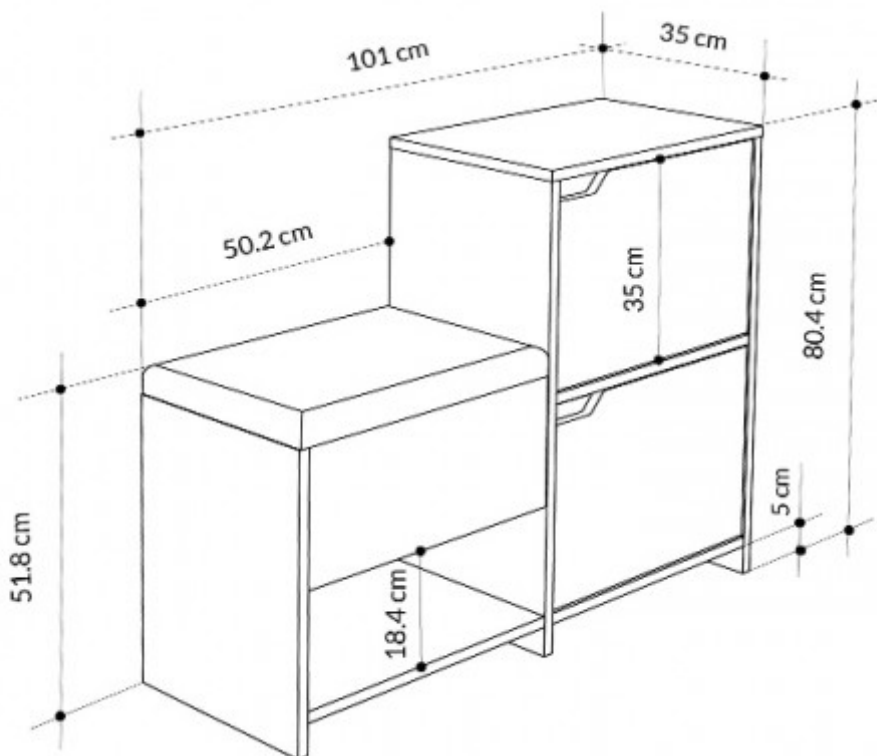
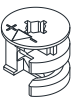
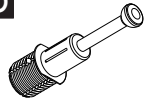
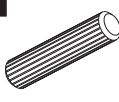
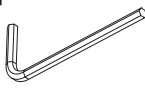

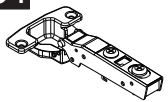
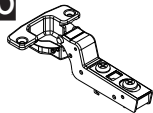
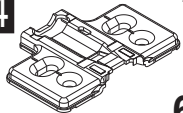


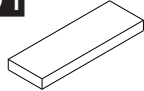

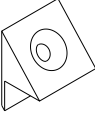
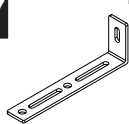
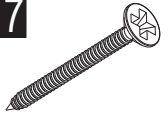
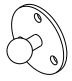
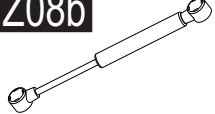

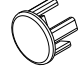

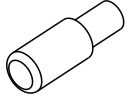
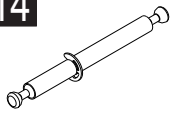
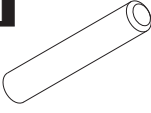
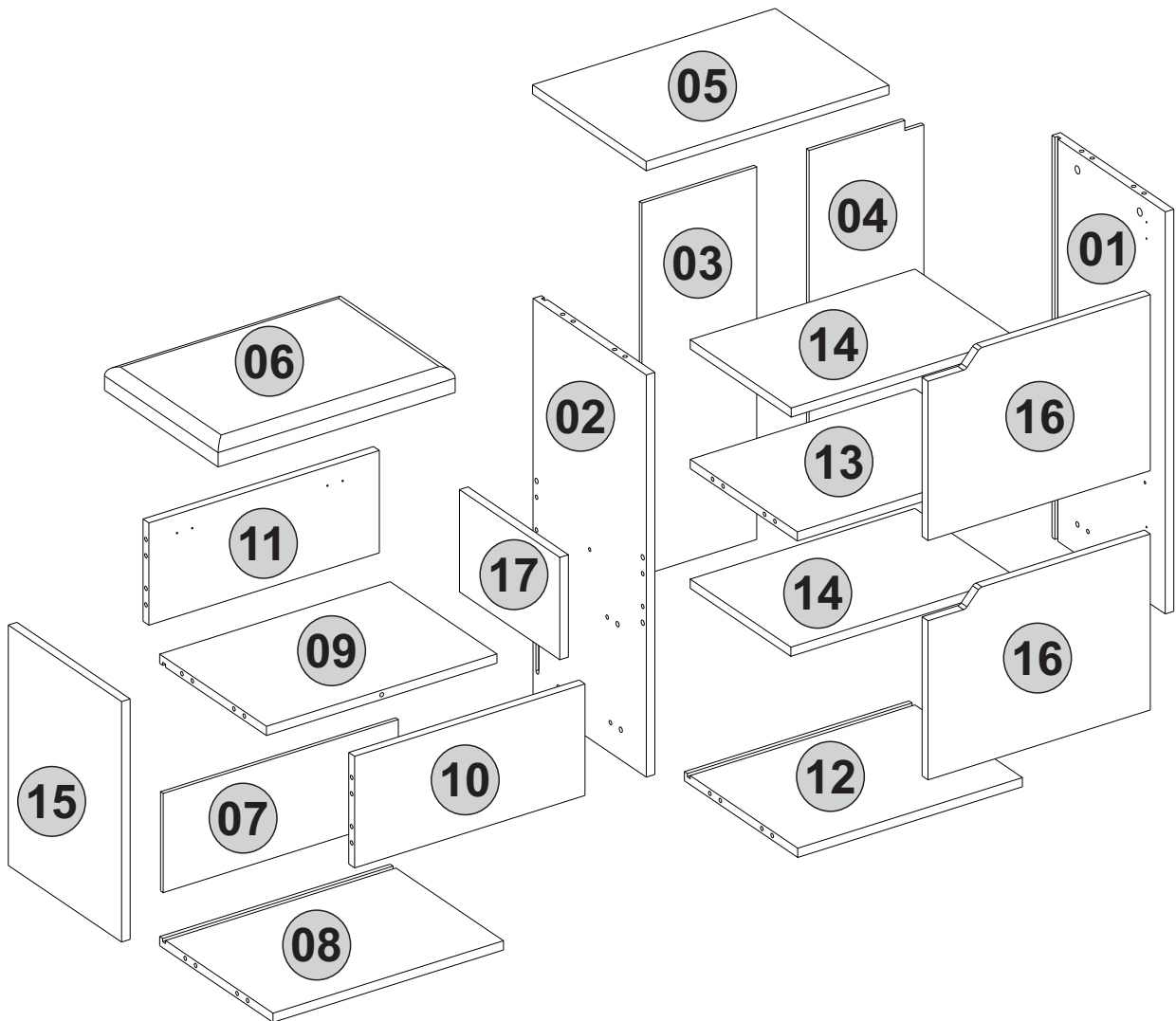




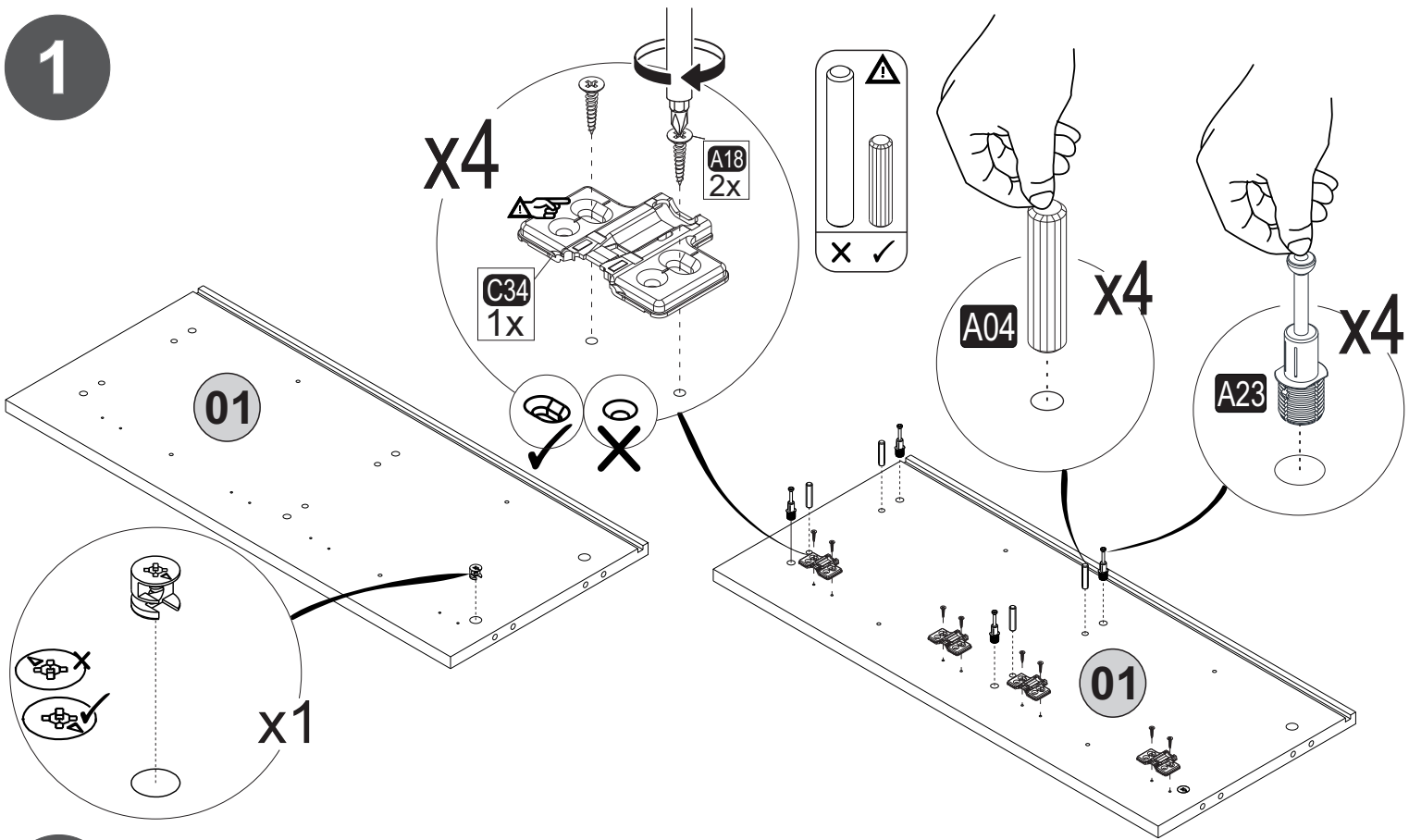
GP037-0285,1



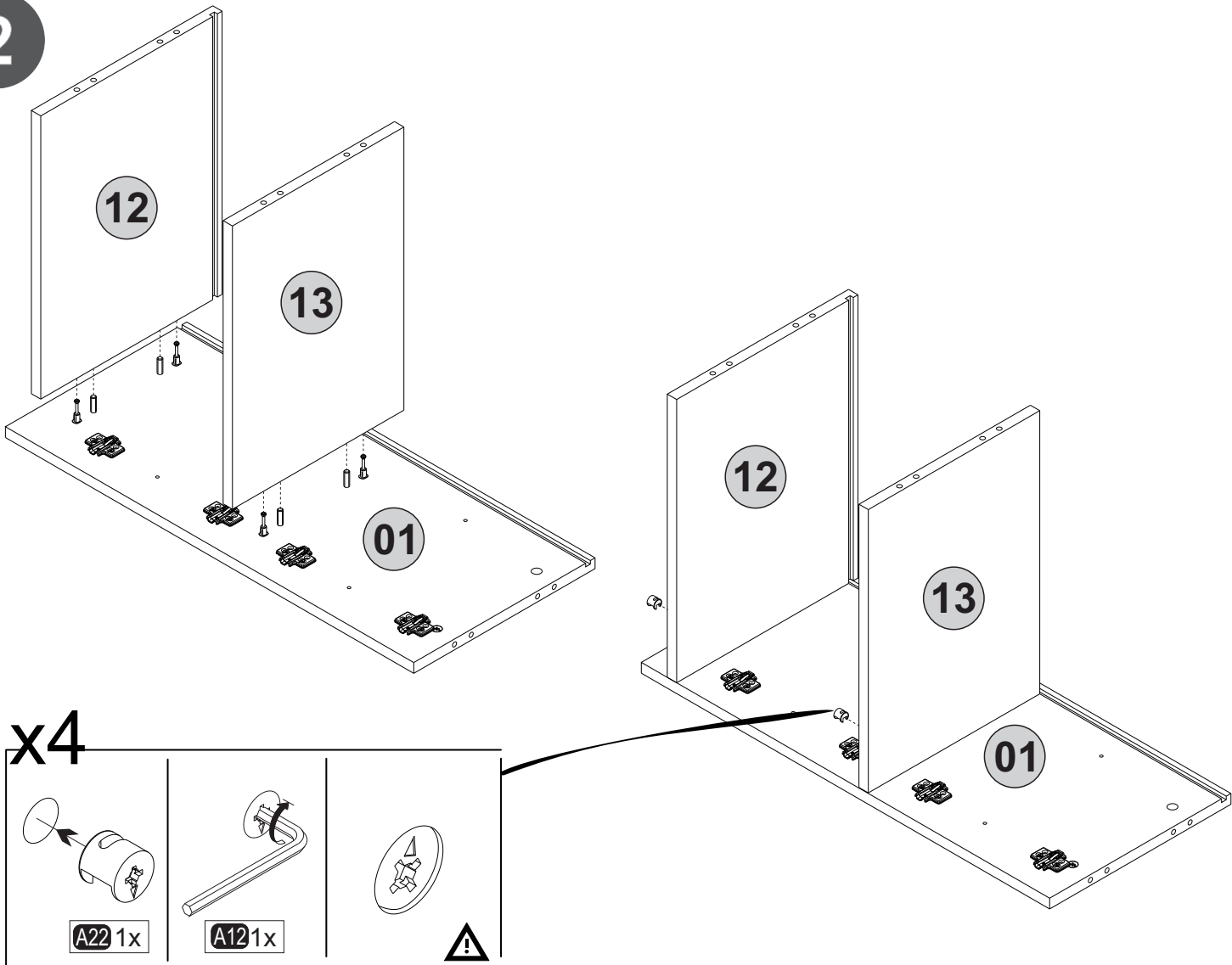
| | | | | |
|---|---|---|--|---|
| A22 Minifix k18  29x | A23 Minifix M10  25x | A04 Ø8x30  24x | A12 Allen  1x | A06 18mm  C1-29x |
| C31 DM  2x | C33 TM  4x | C34 MA  6x | B13 25 (black)mm  1x | A69 P.D.  1x |
| PB01 Kece  6x | A18 3,5x18  51x | A25 ARK.PL  8x | A87 15x90x30  1x | A17 4X50  1x |
| Z08a KKP  1x | Z08b KKP  1x | Z08c KKP  1x | Z08d KKP  2x | A16 DbØ8  1x |
| A48 Raf Pimi  8x | A14 DFM6-  2x | A41 Ø8x55  2x | | |



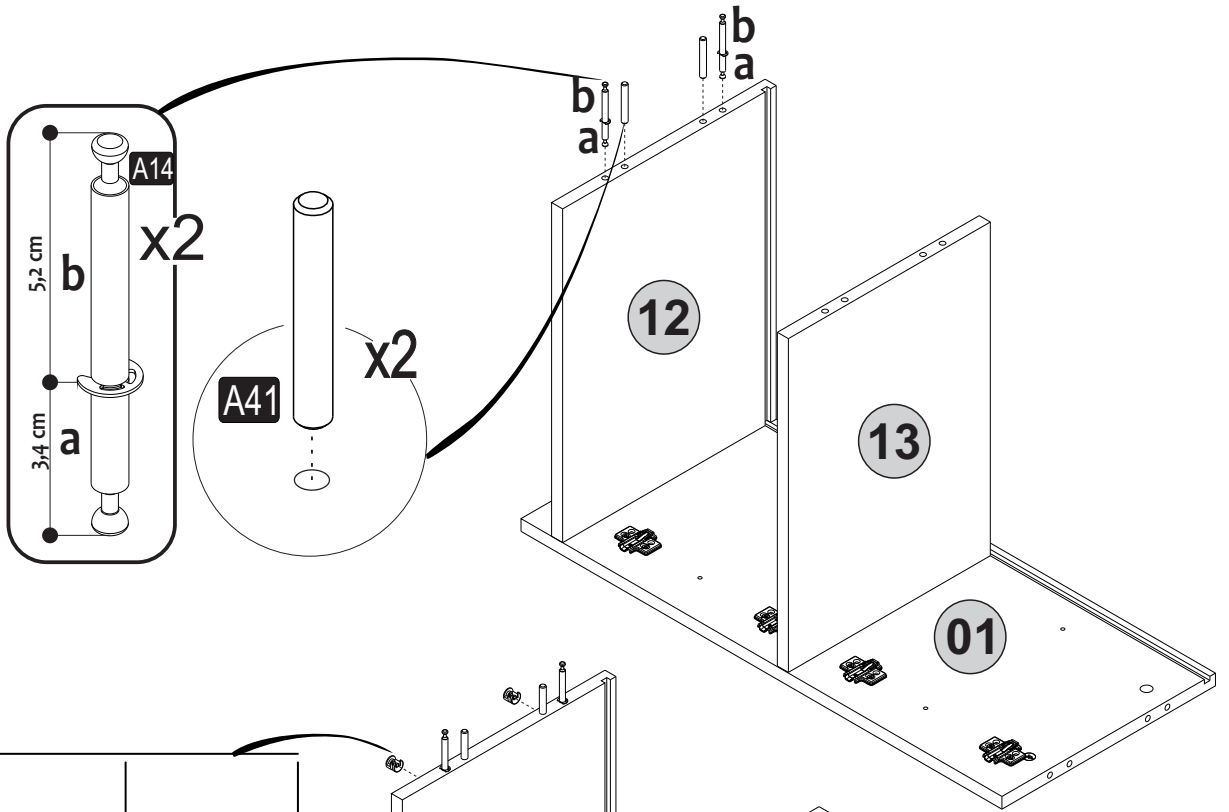
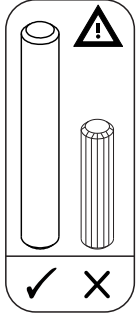
1



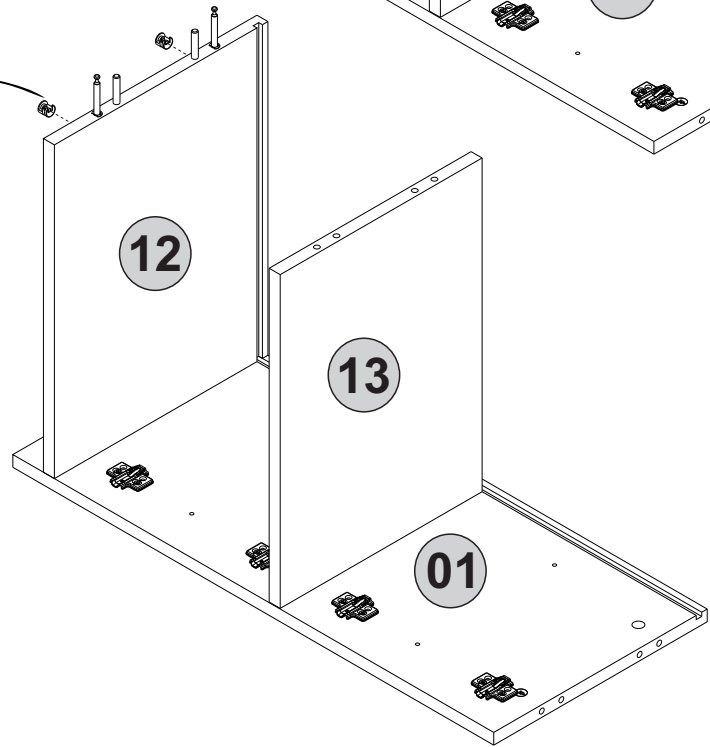
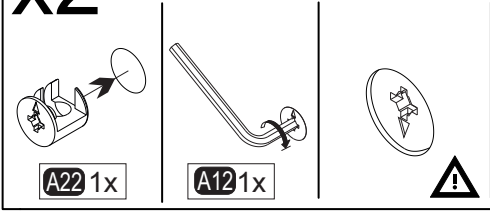
2



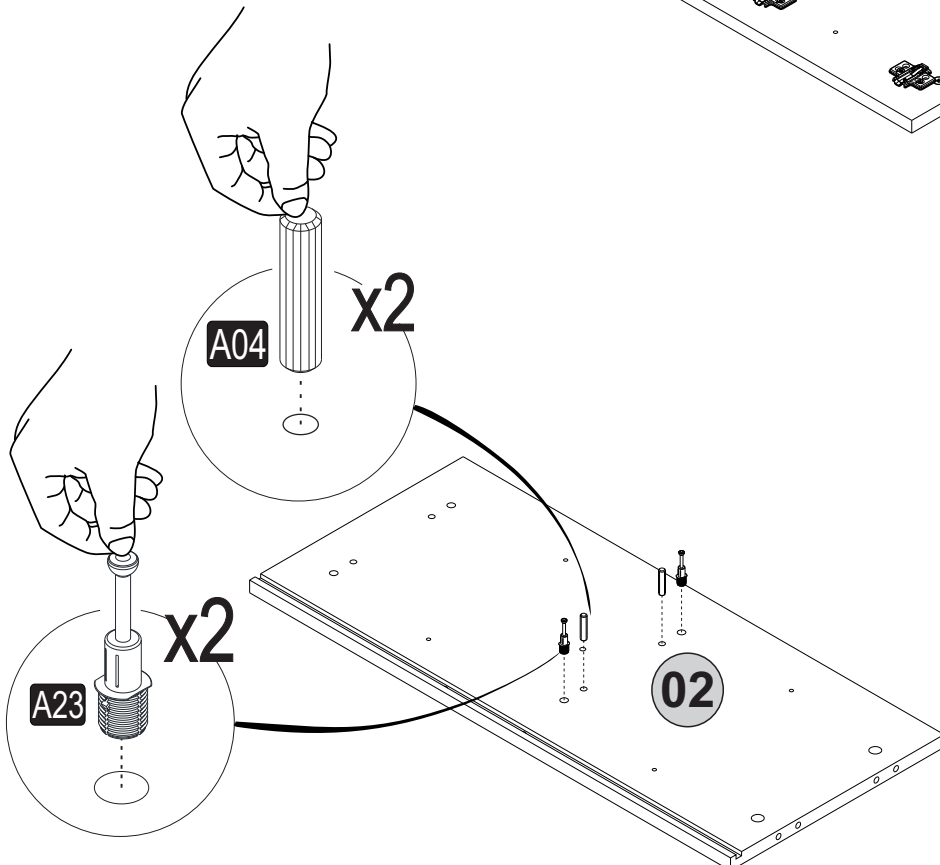
3



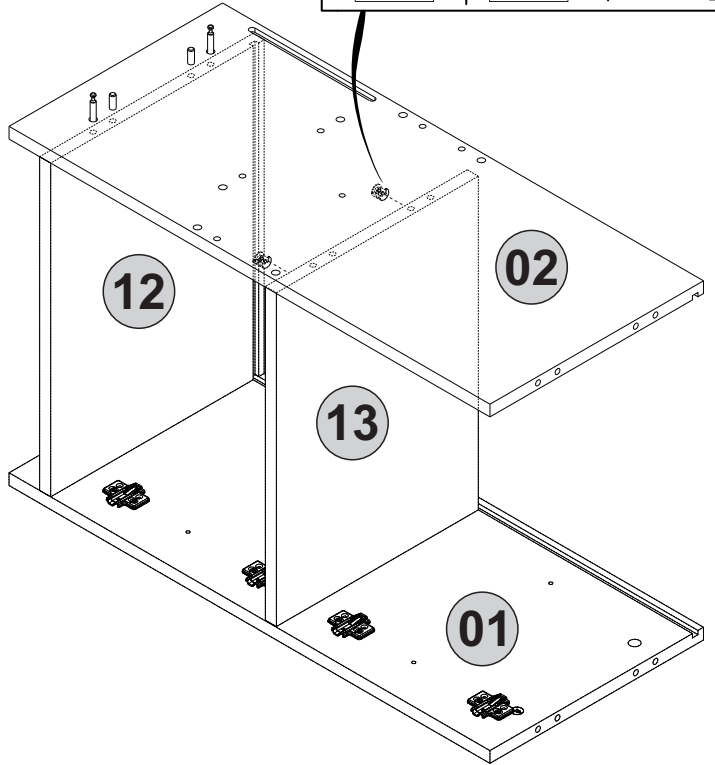
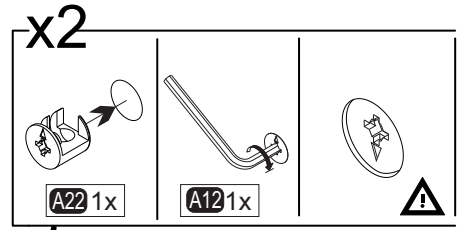
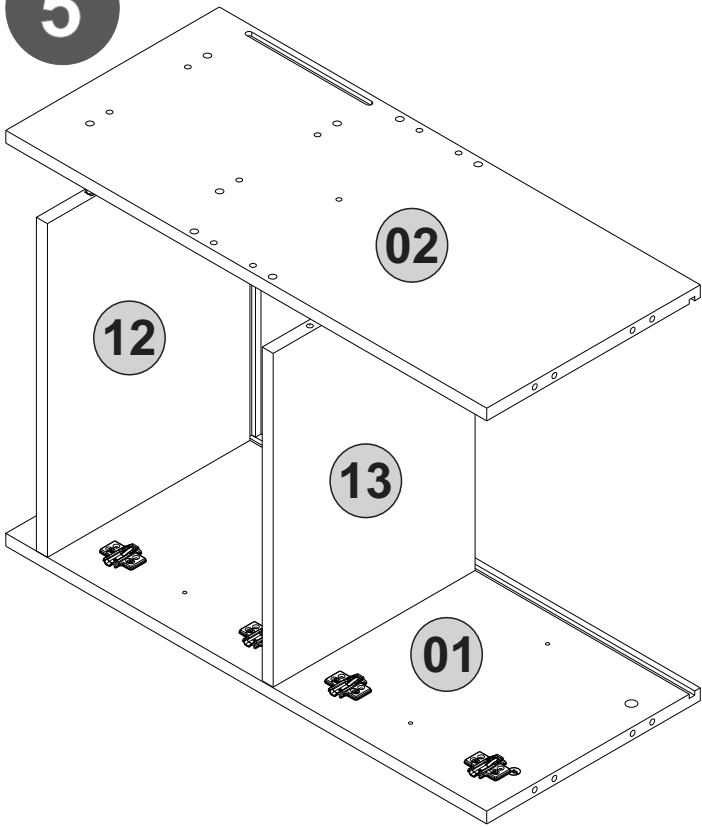
x2



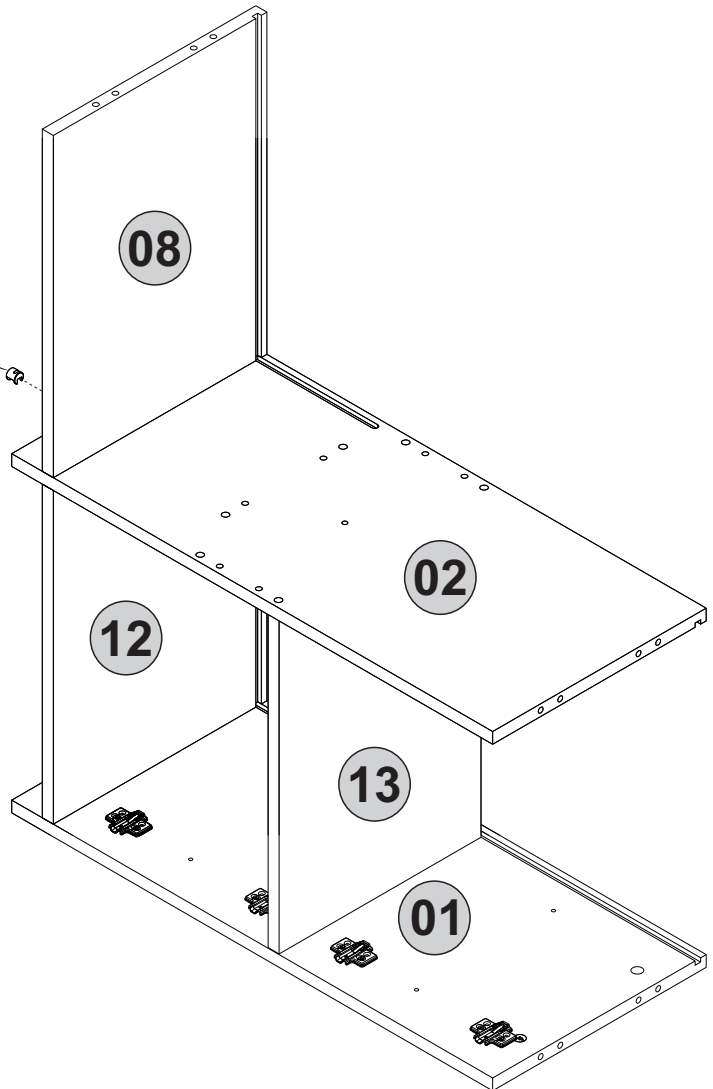
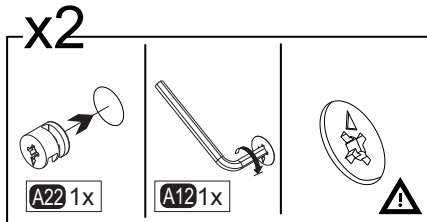
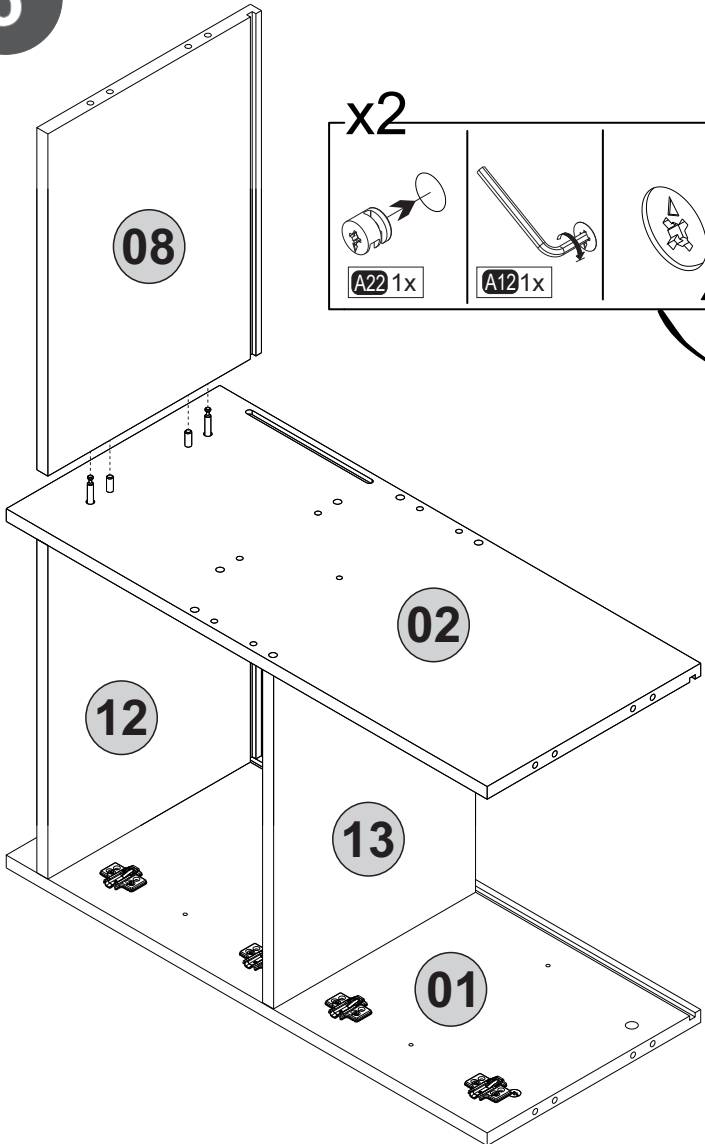
4



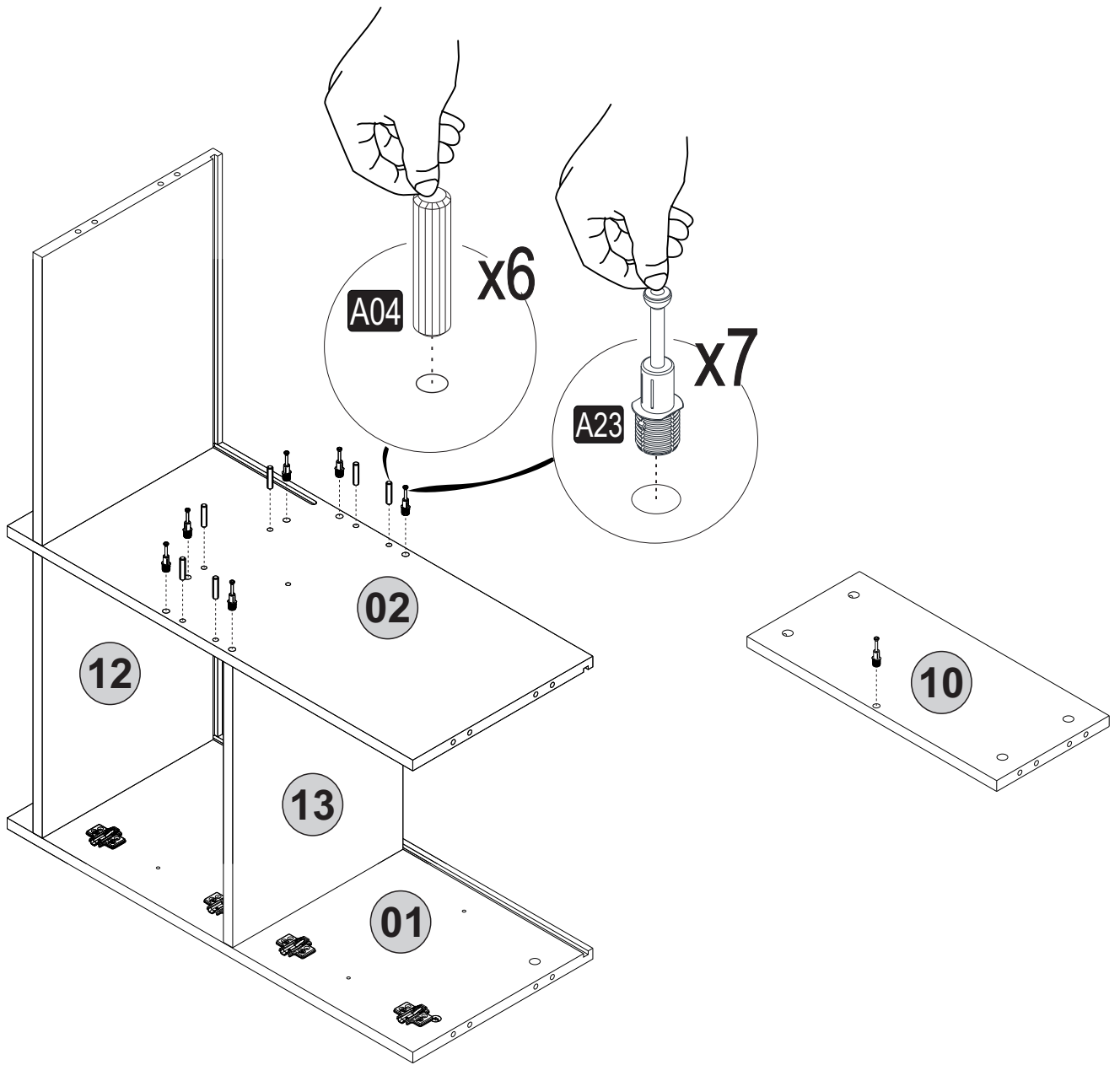
5



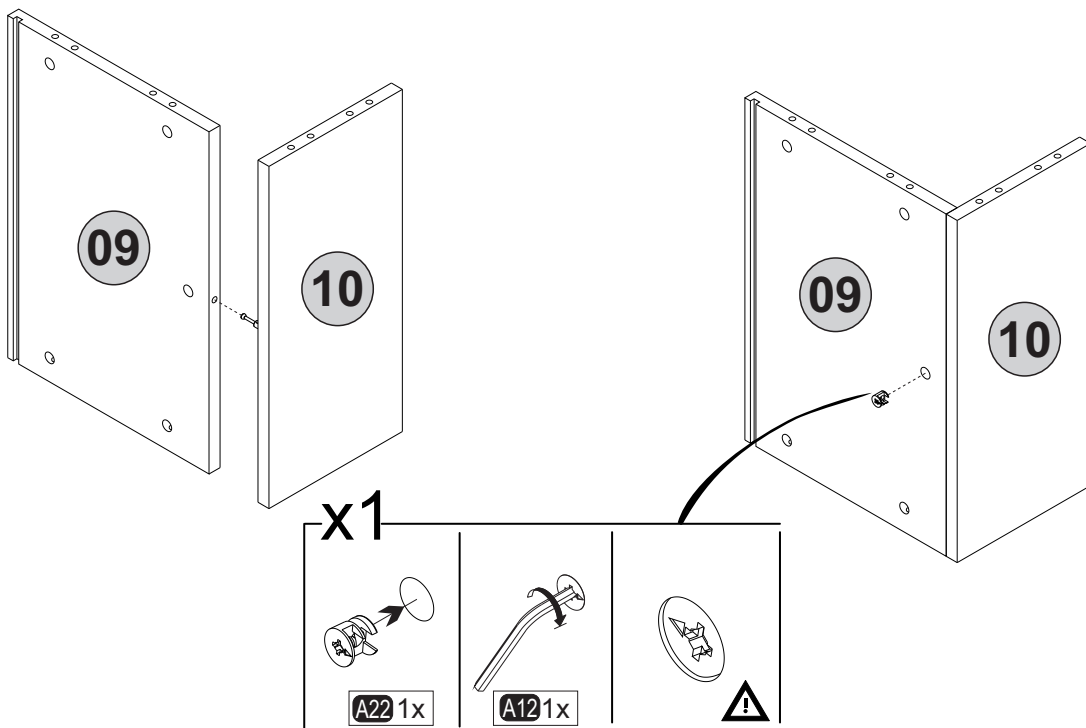
6



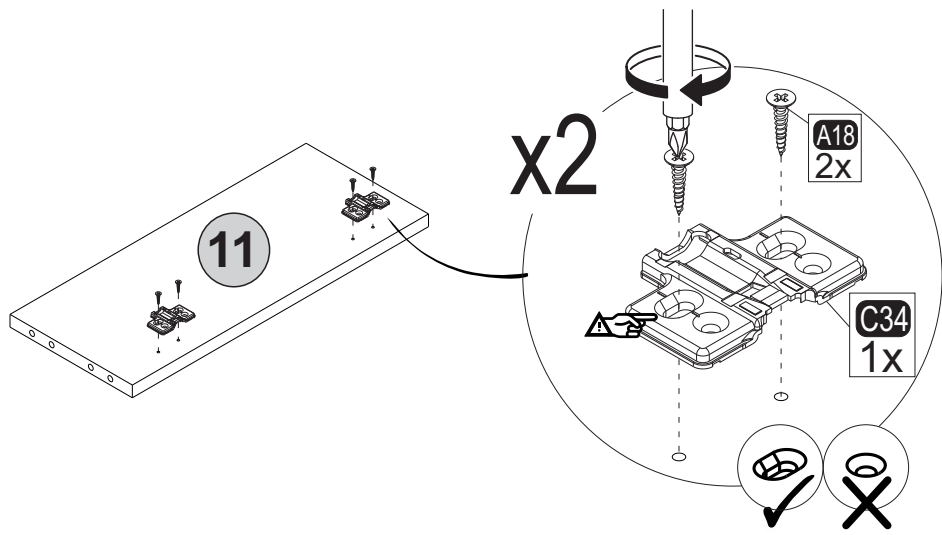
7



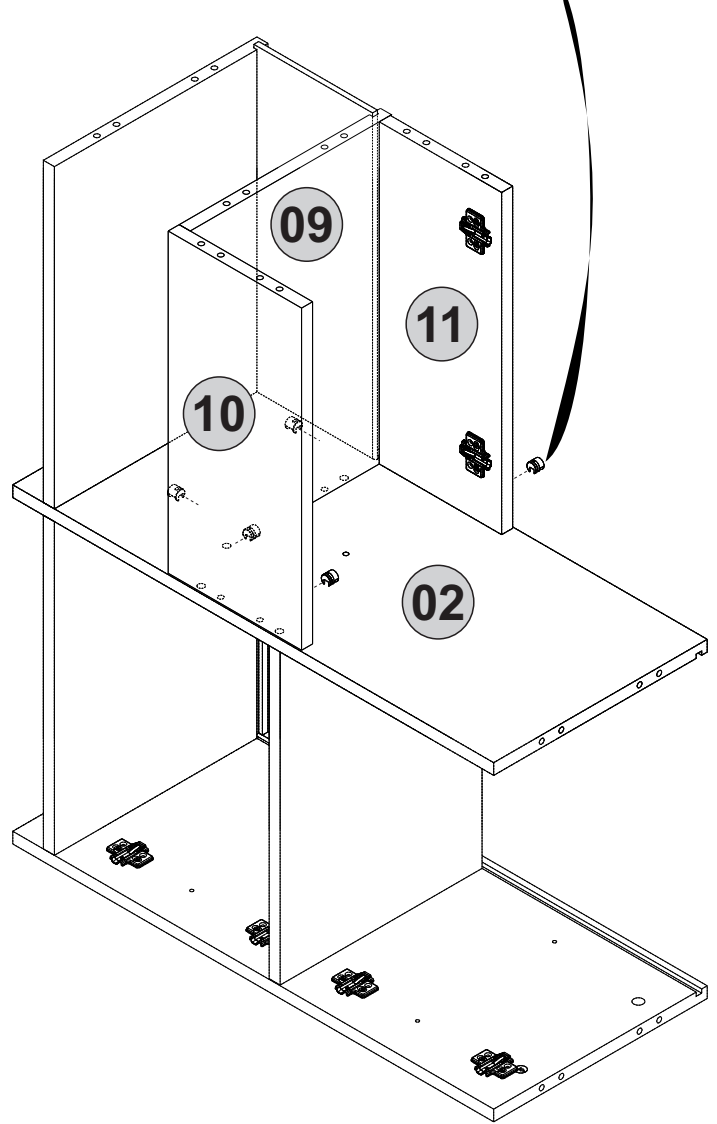
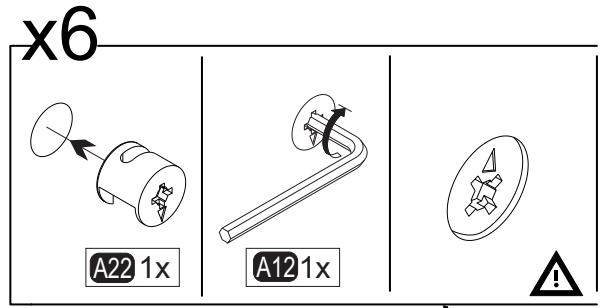
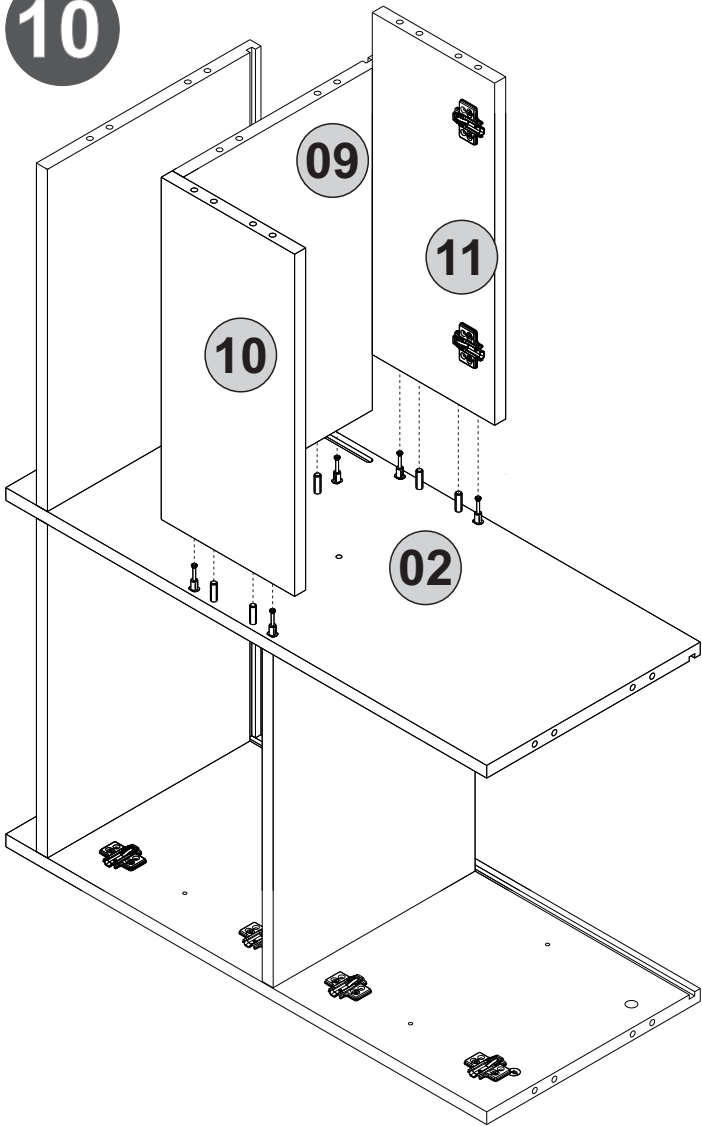
8



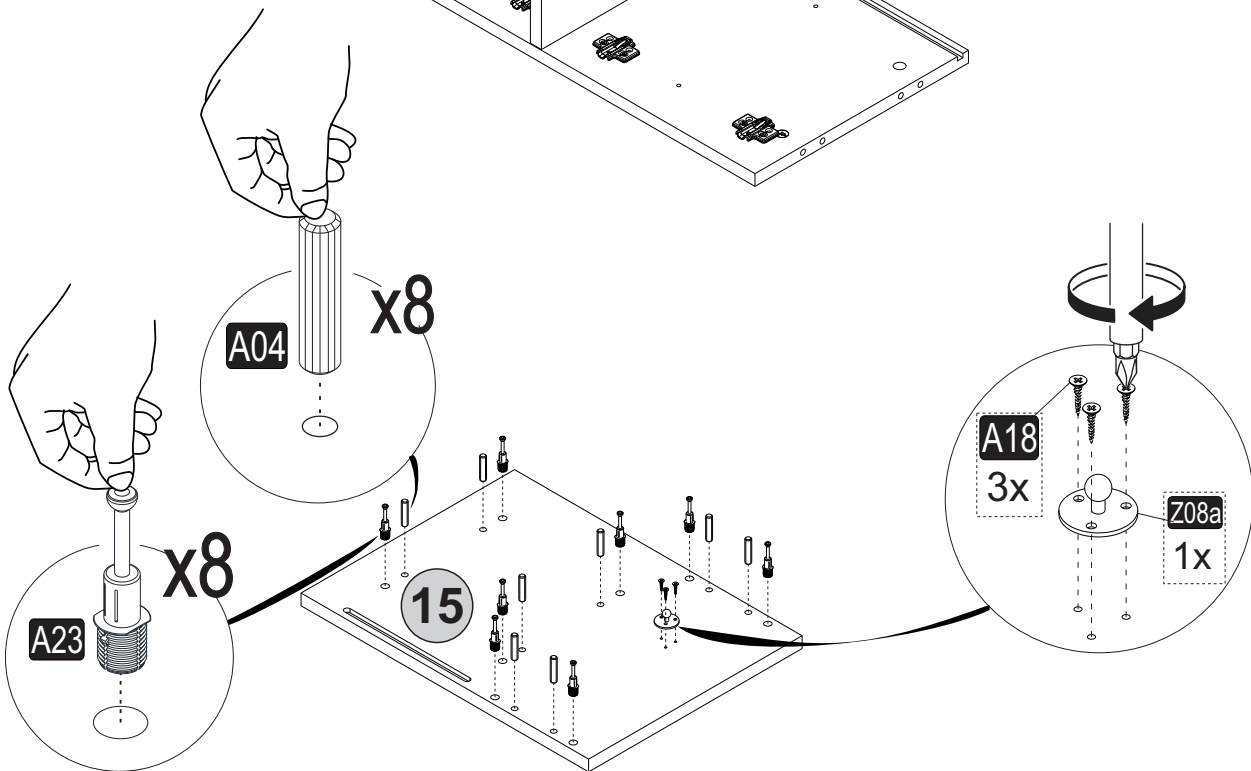
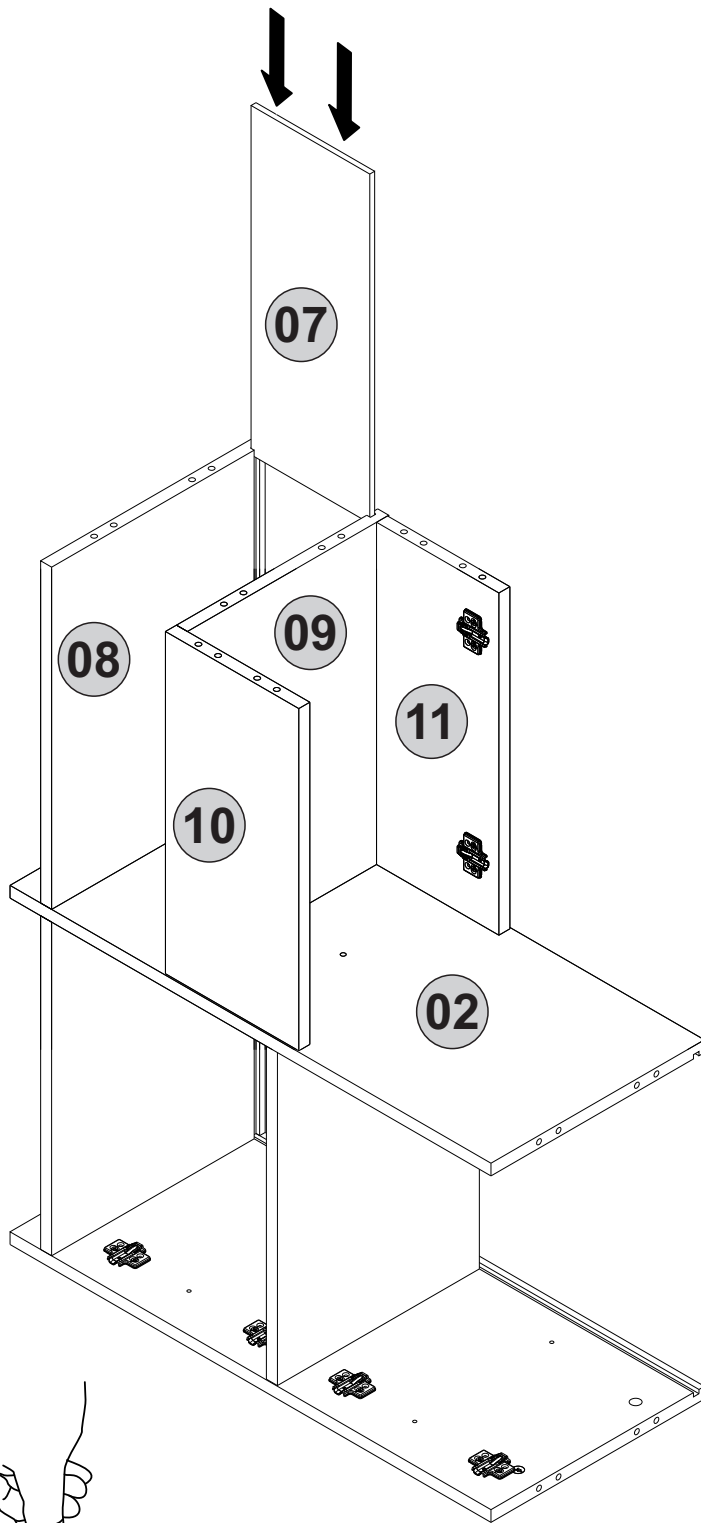
9



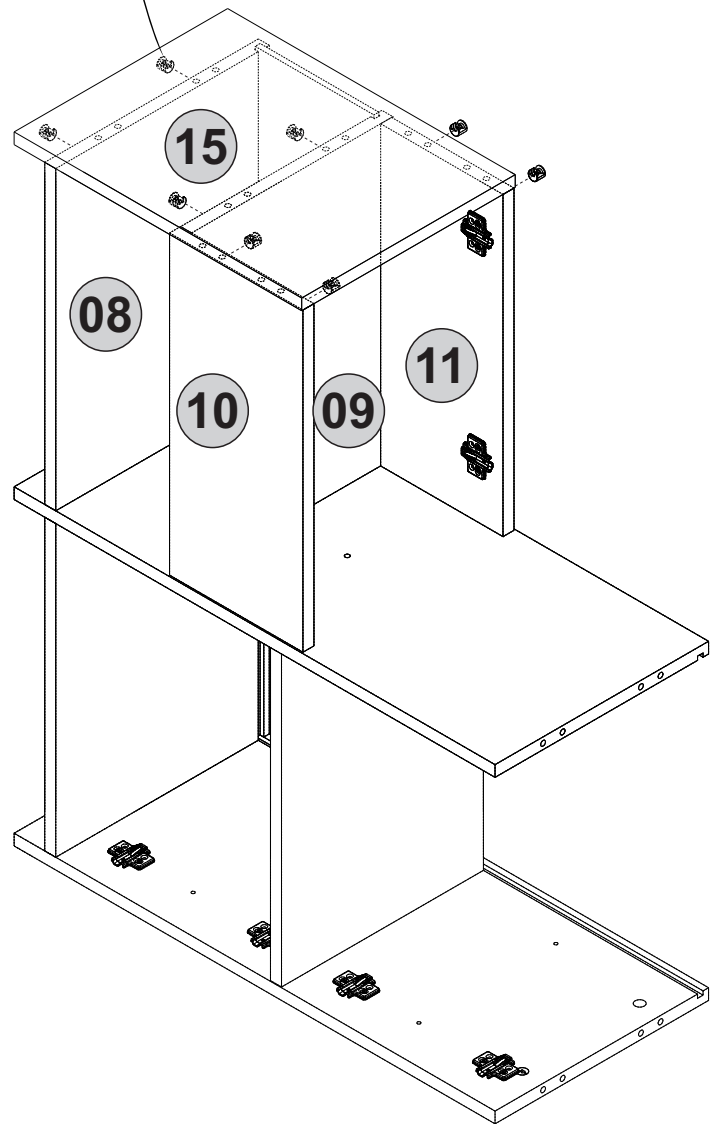
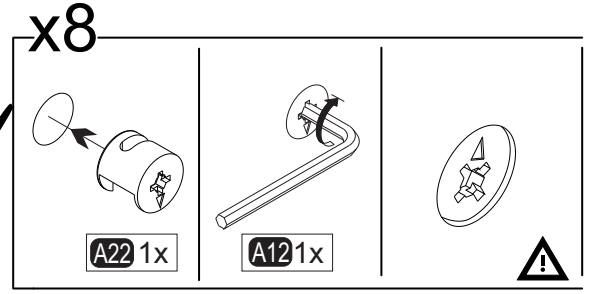
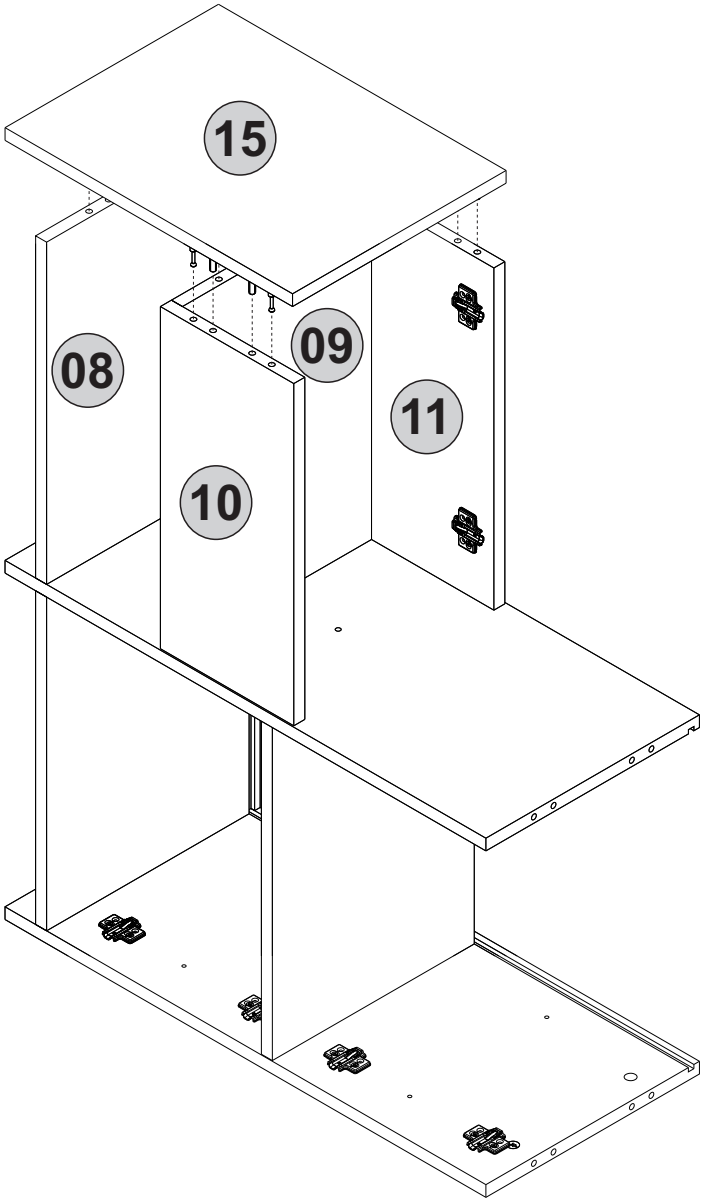
10



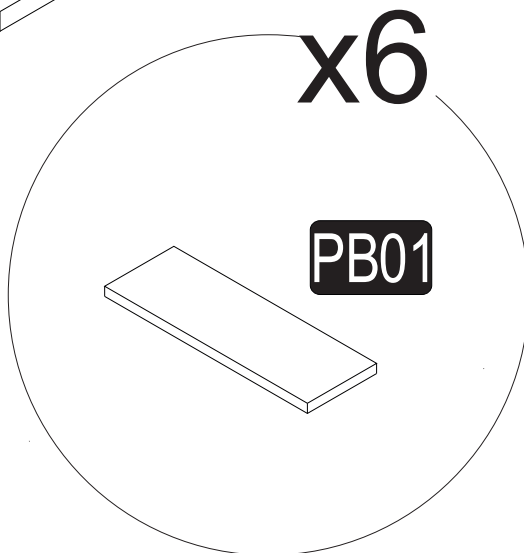
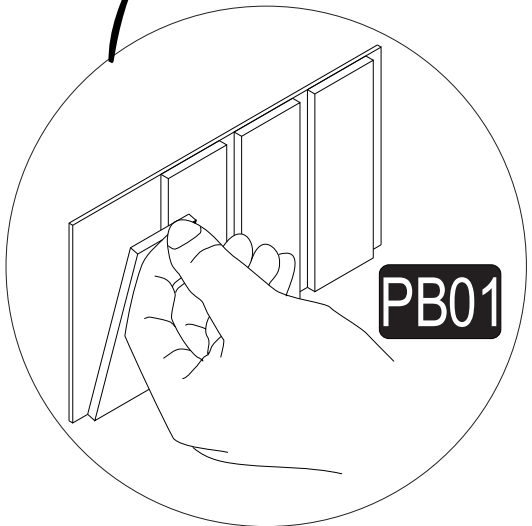
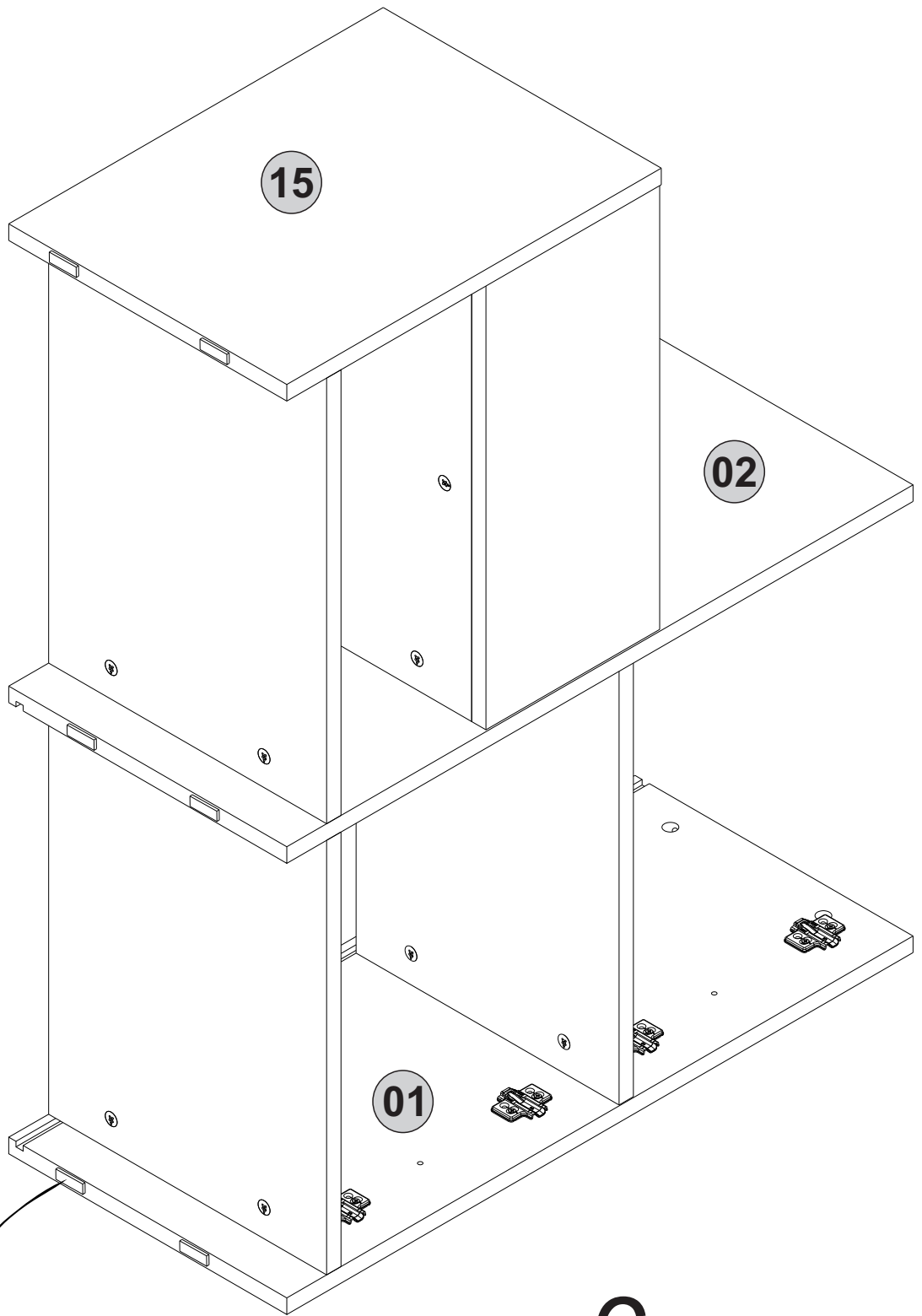
11



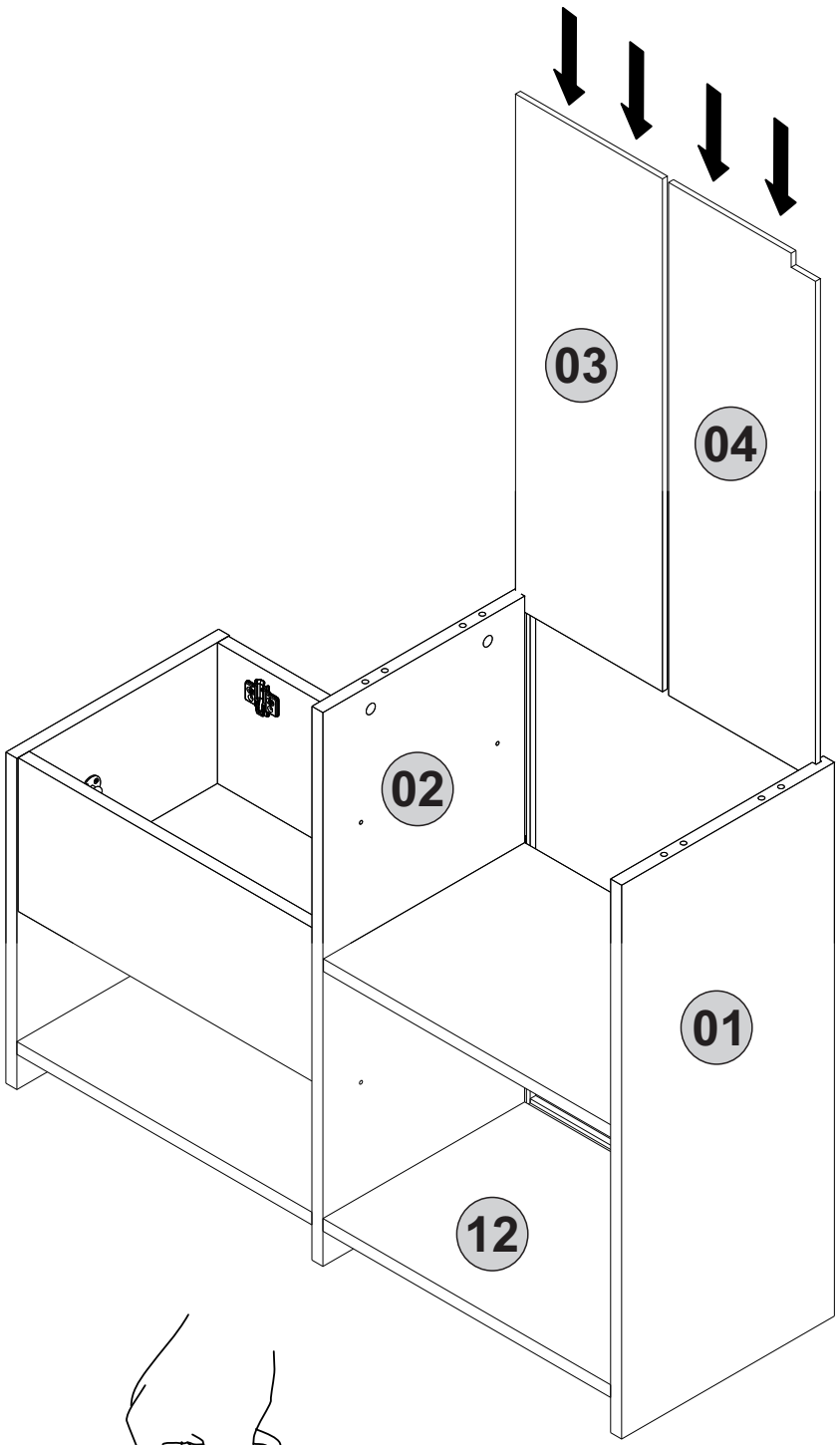
12



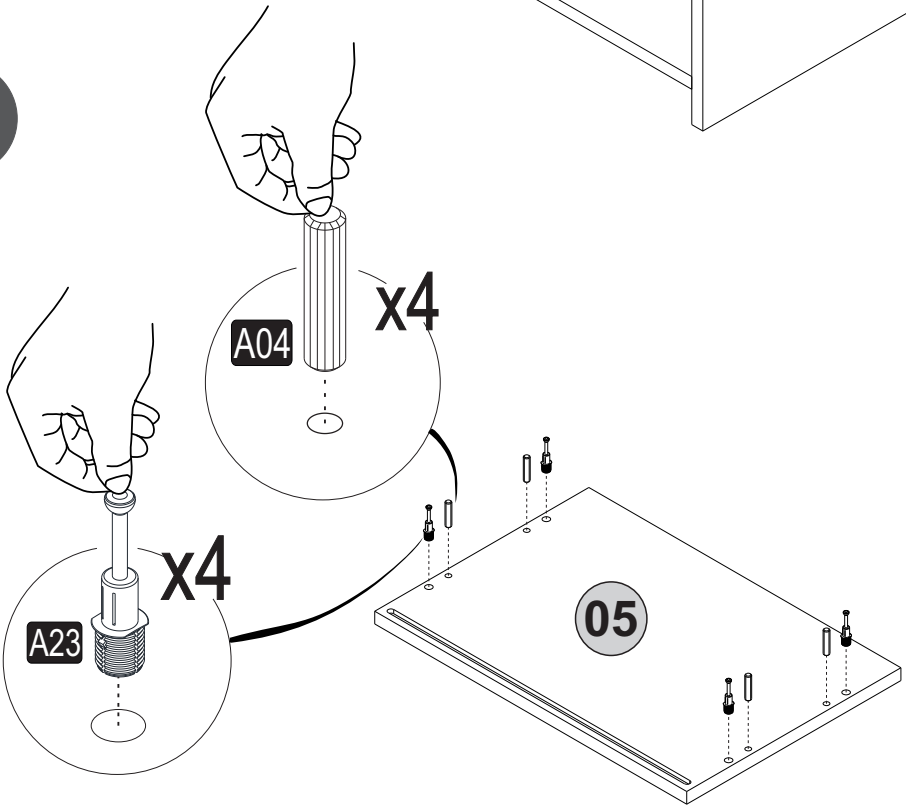
13

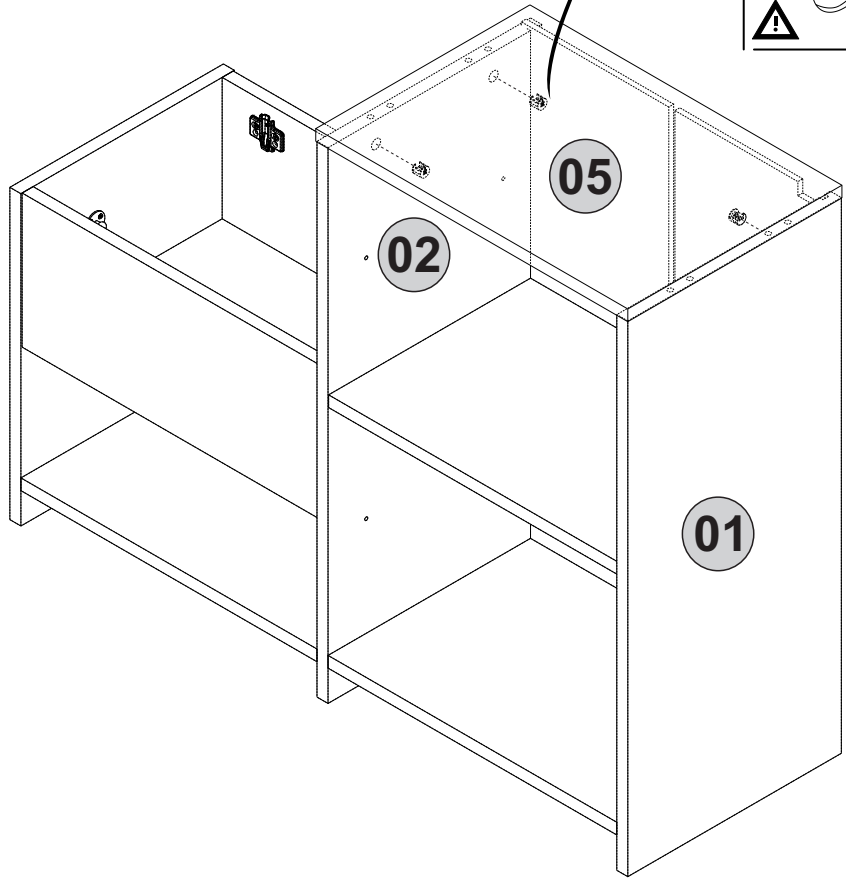
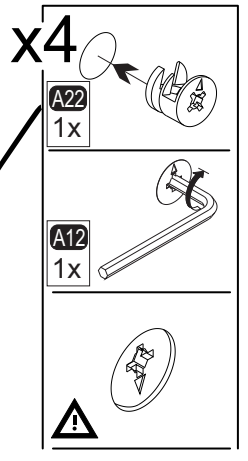
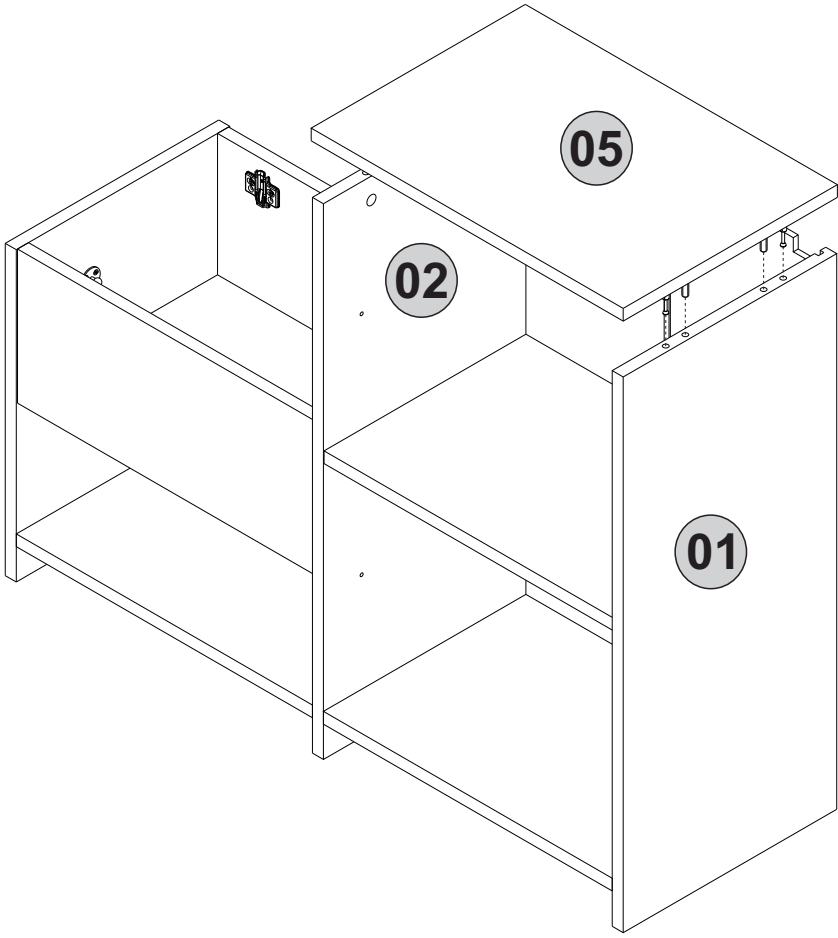


14

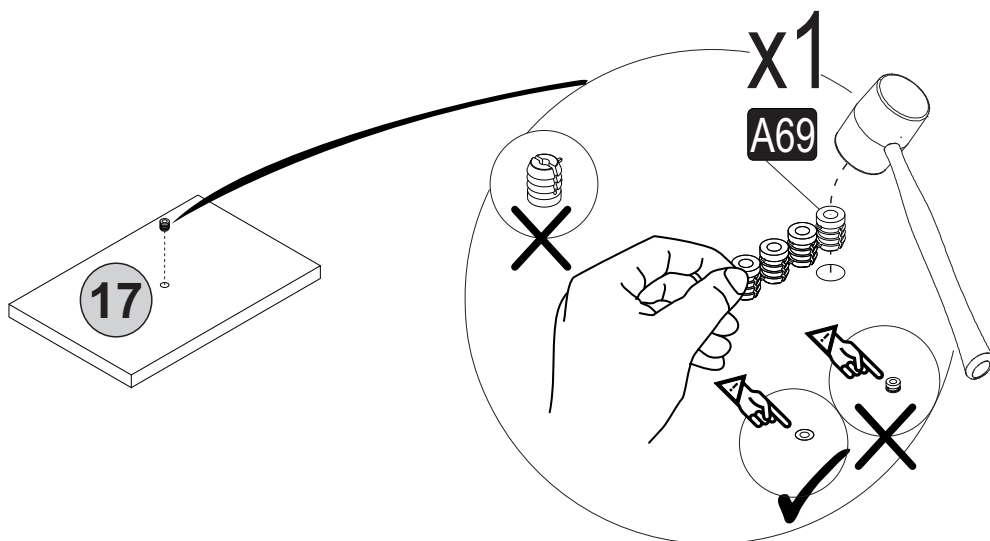


15

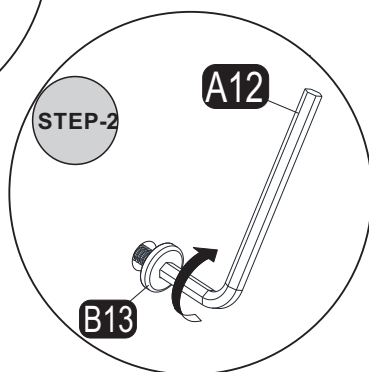
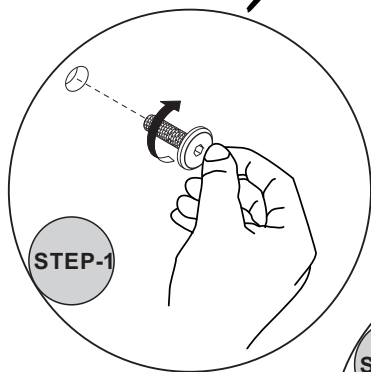
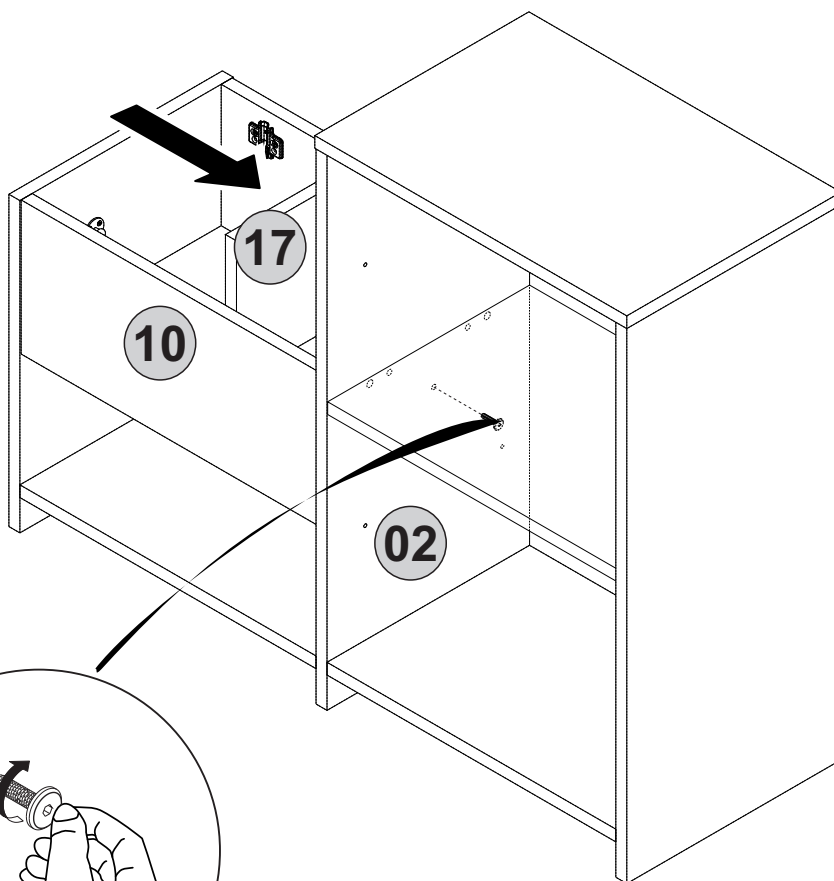




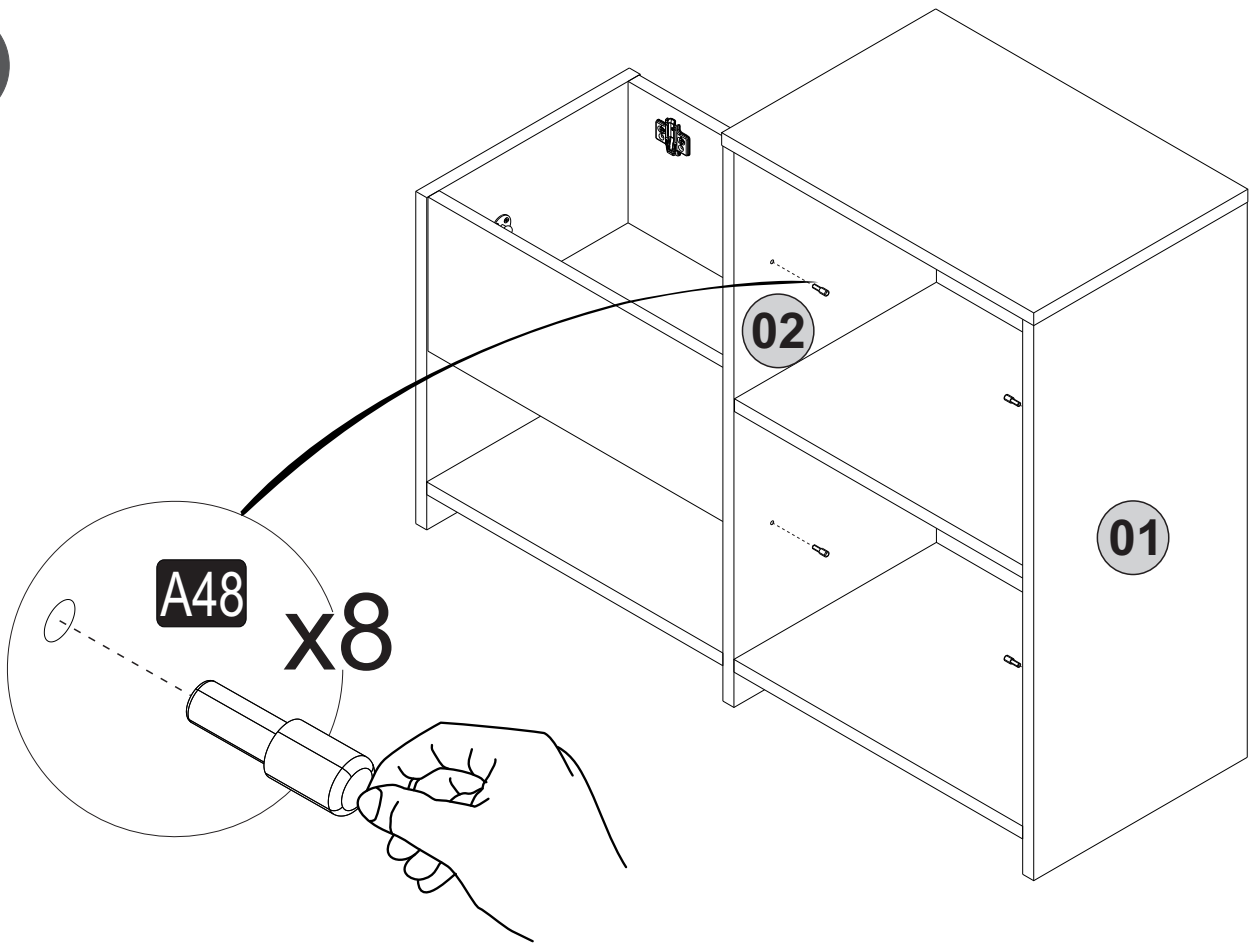
17



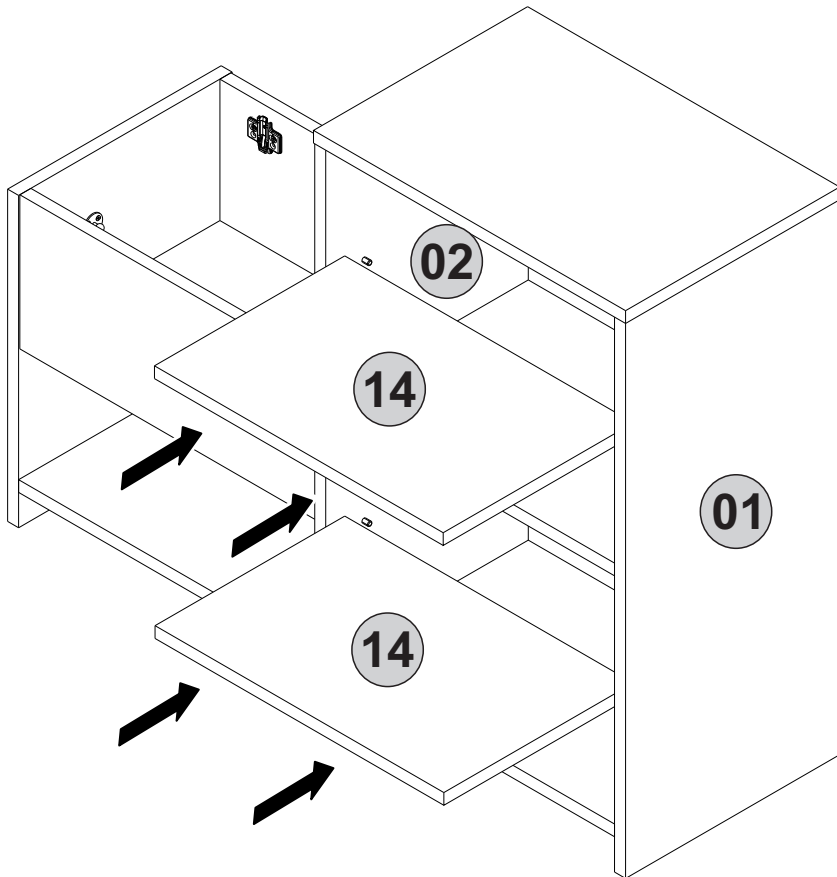
18

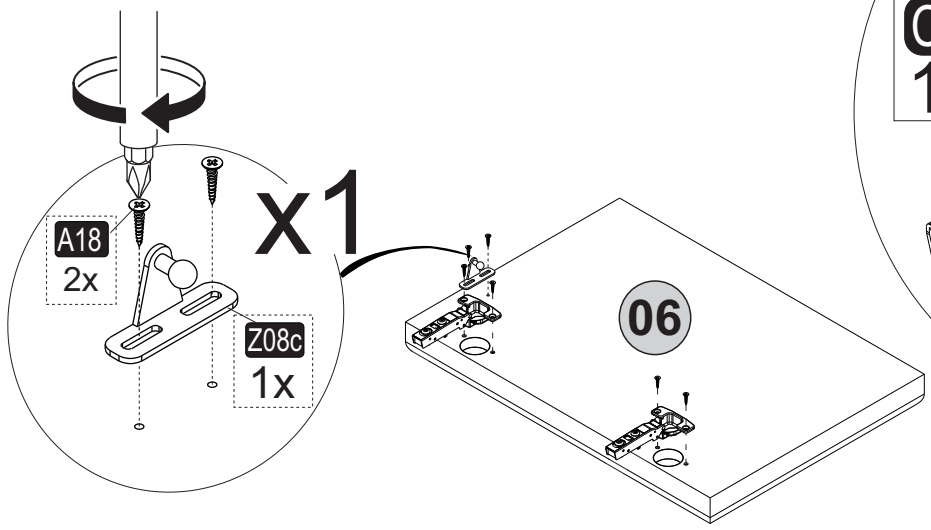
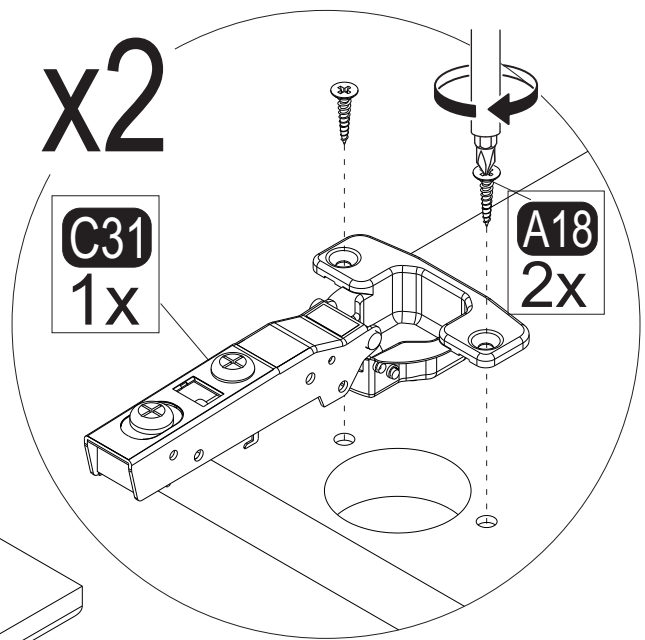
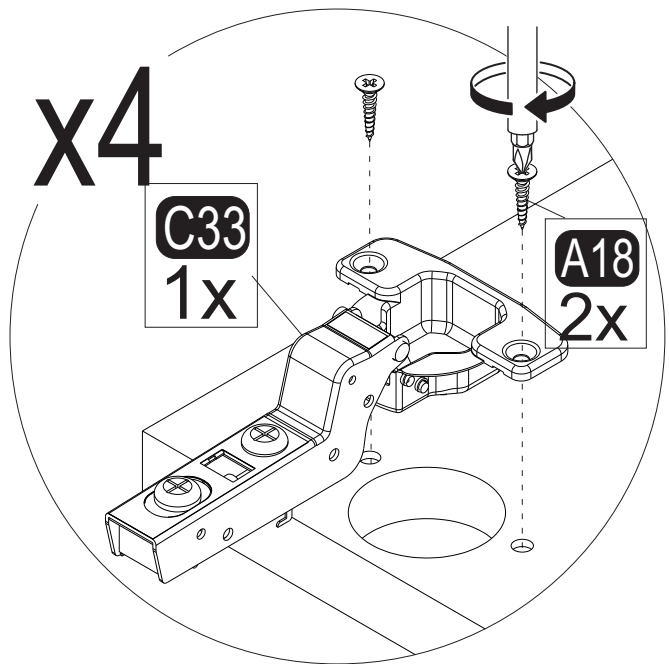
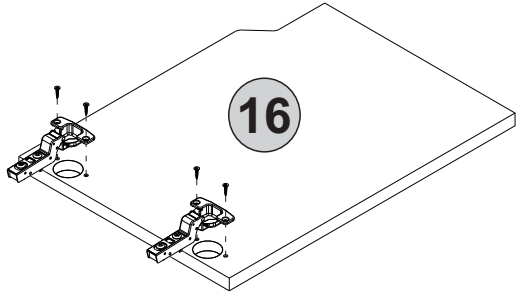
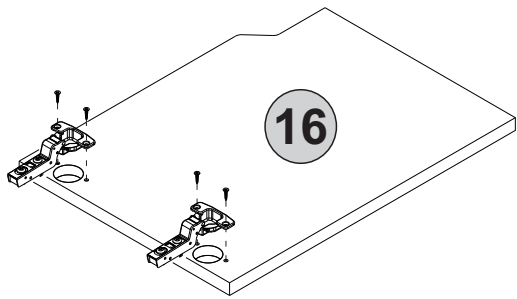


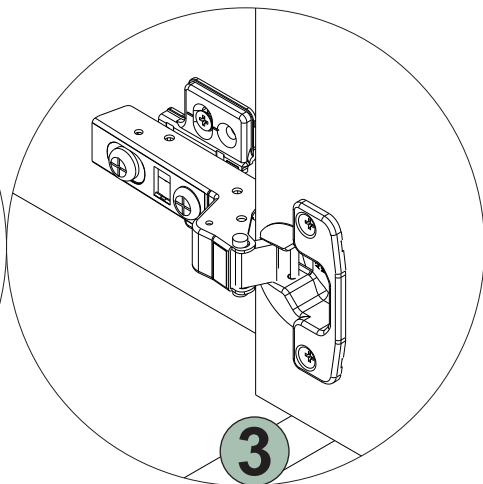
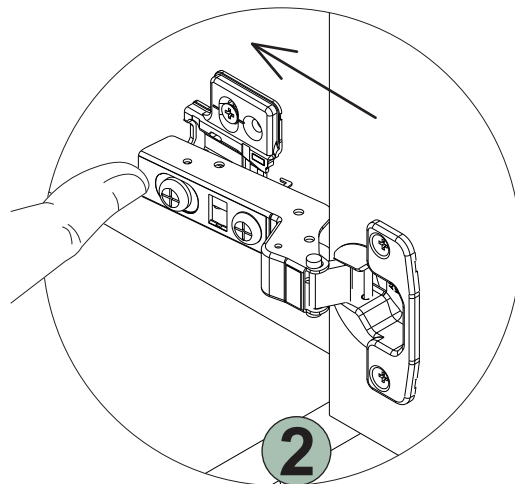
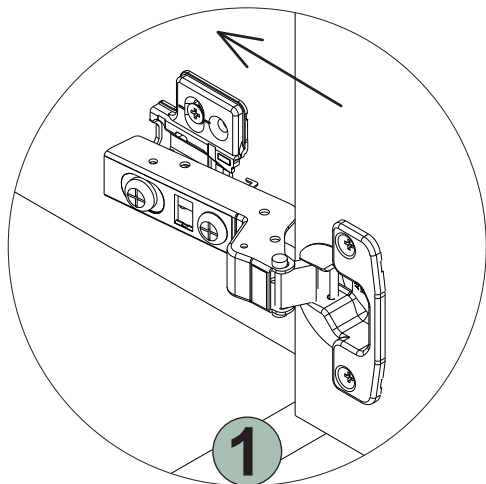
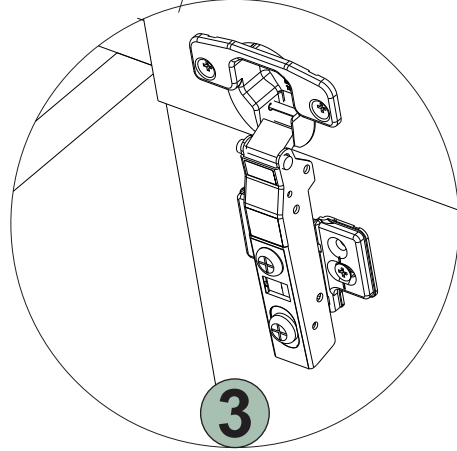
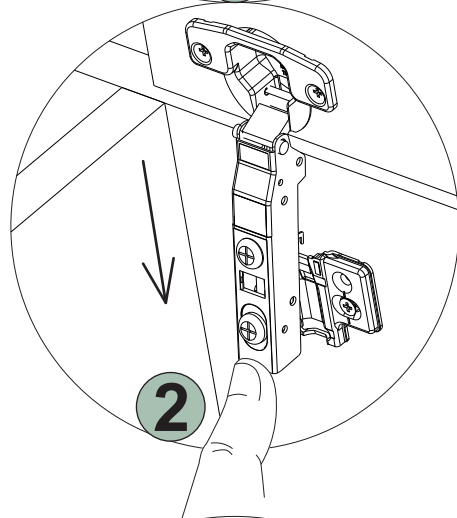
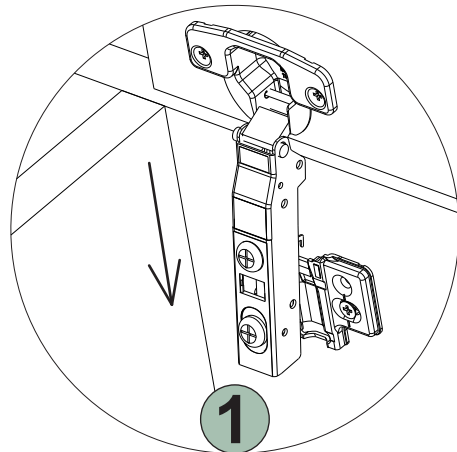
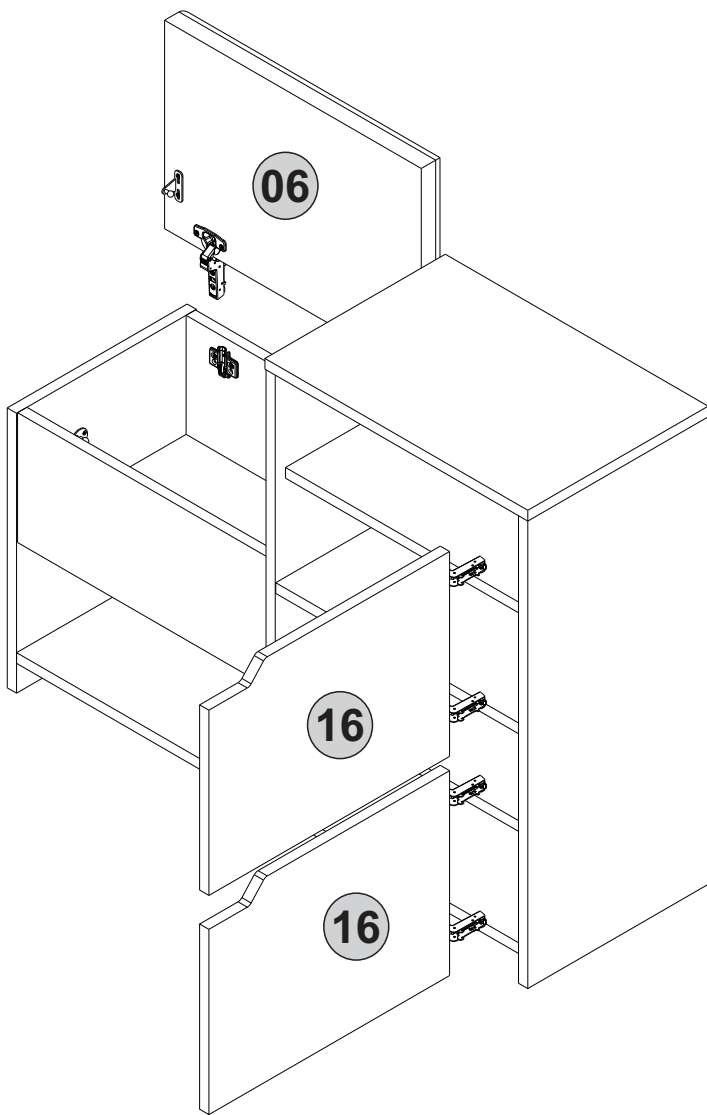
19

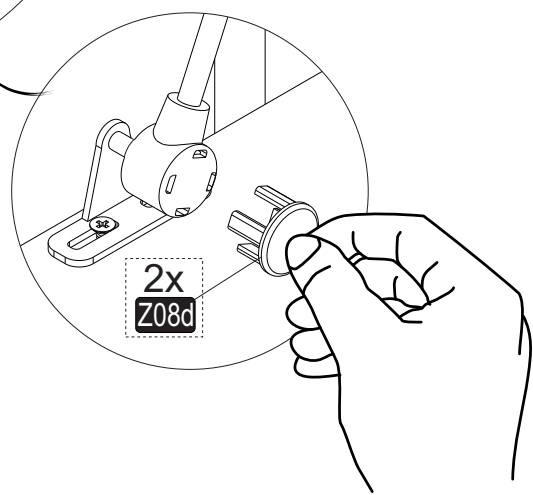
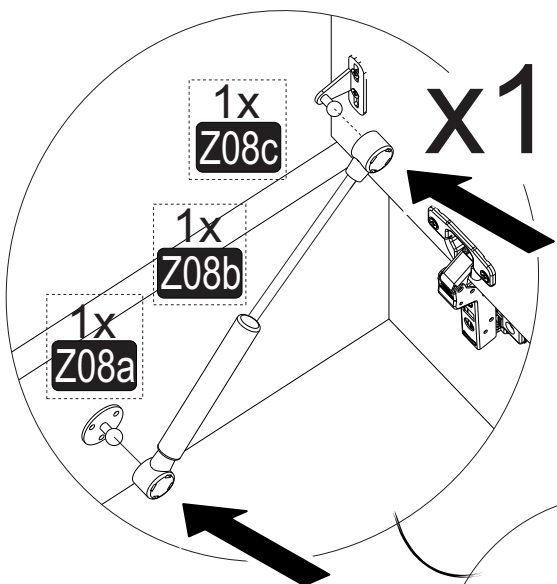
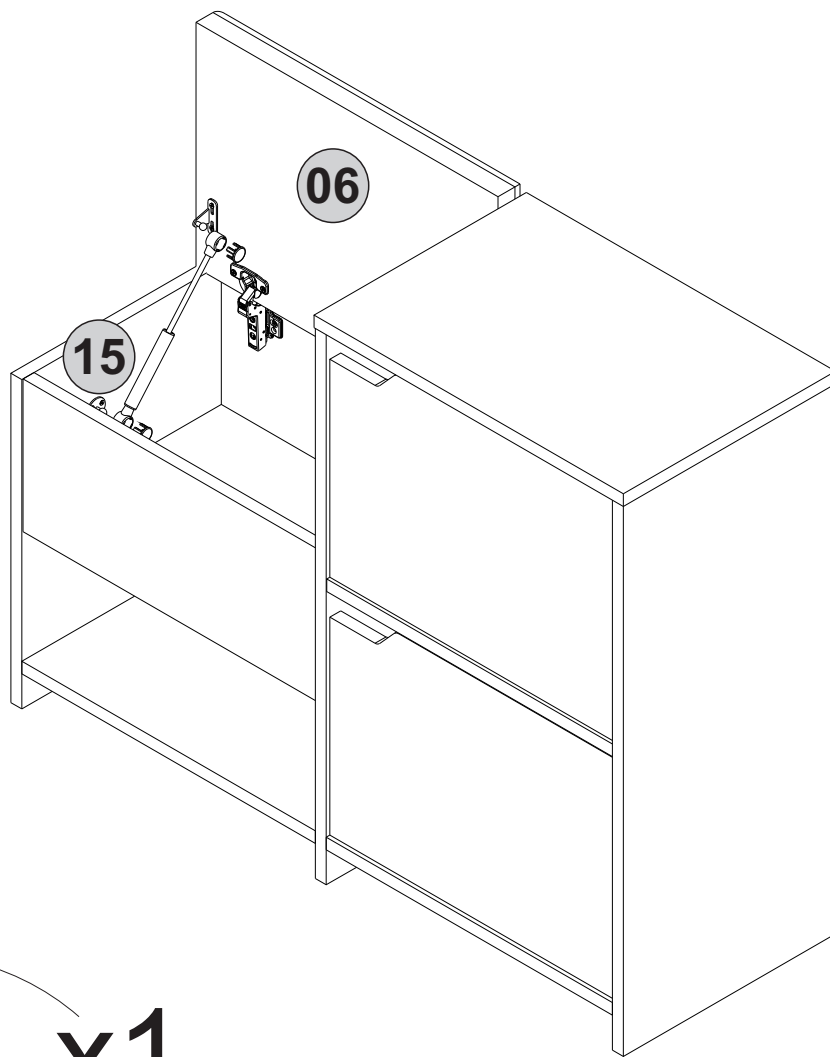


20

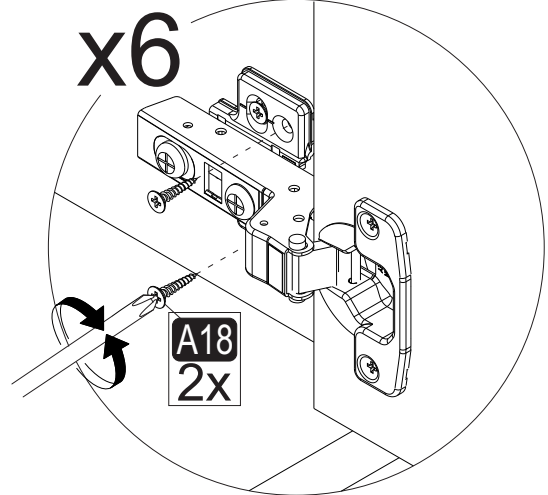
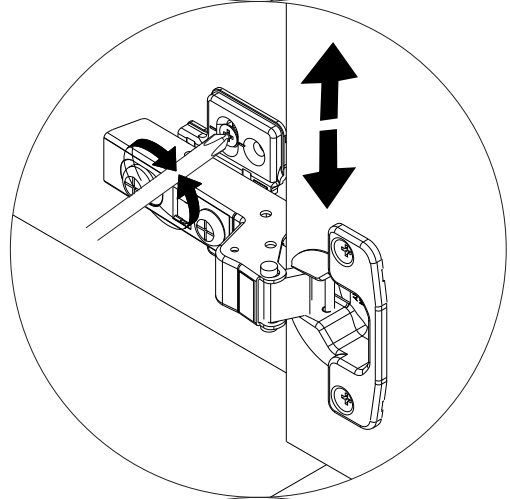
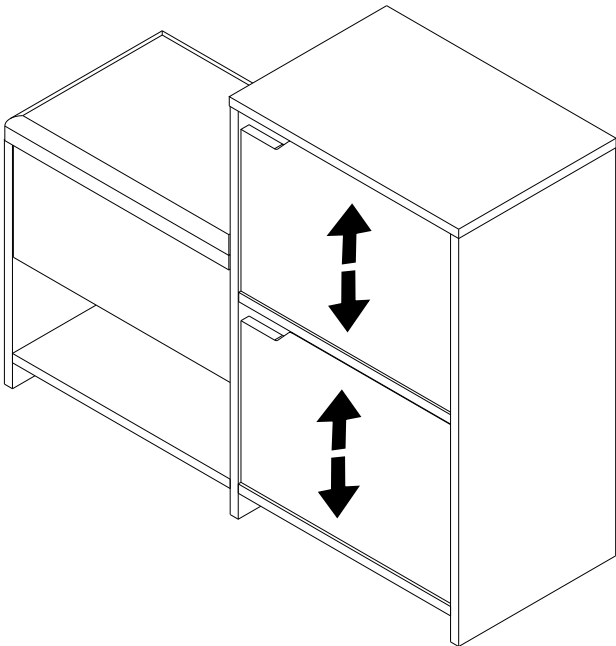
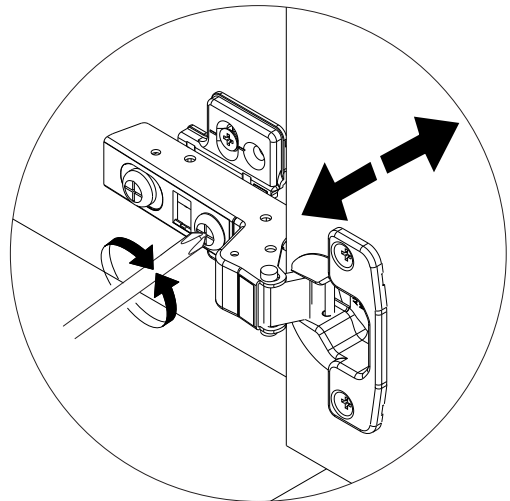
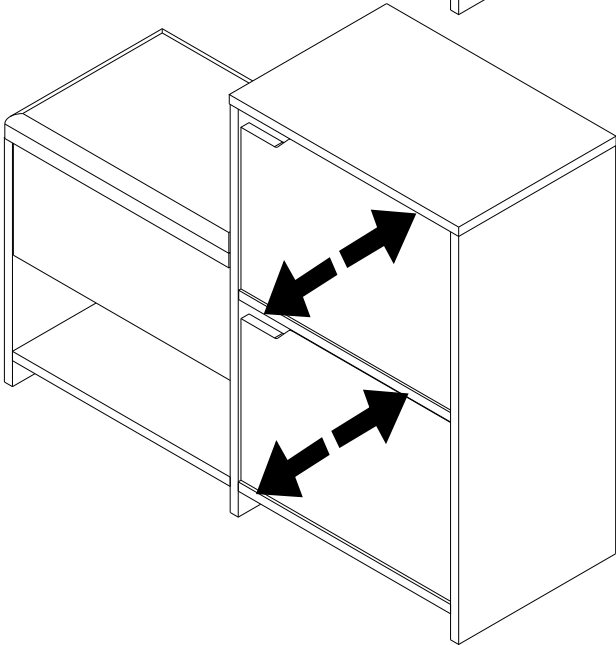
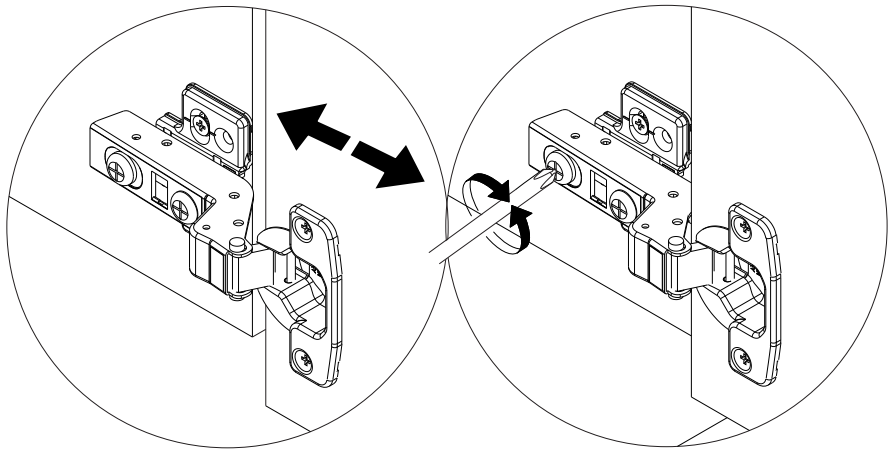
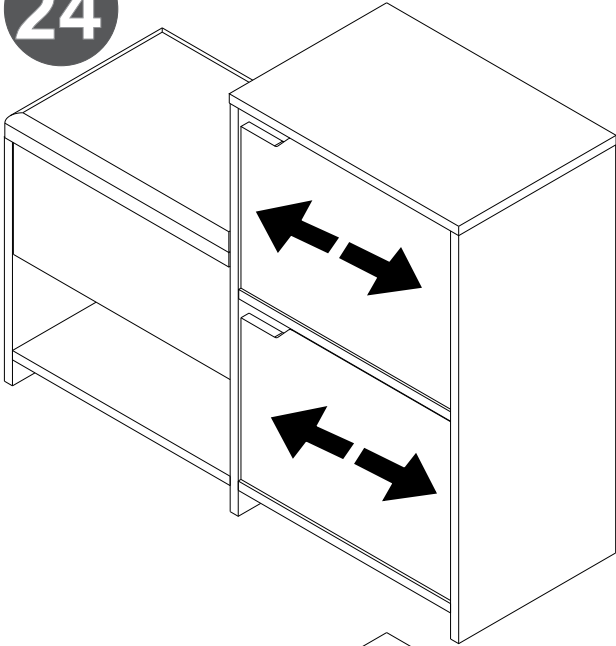


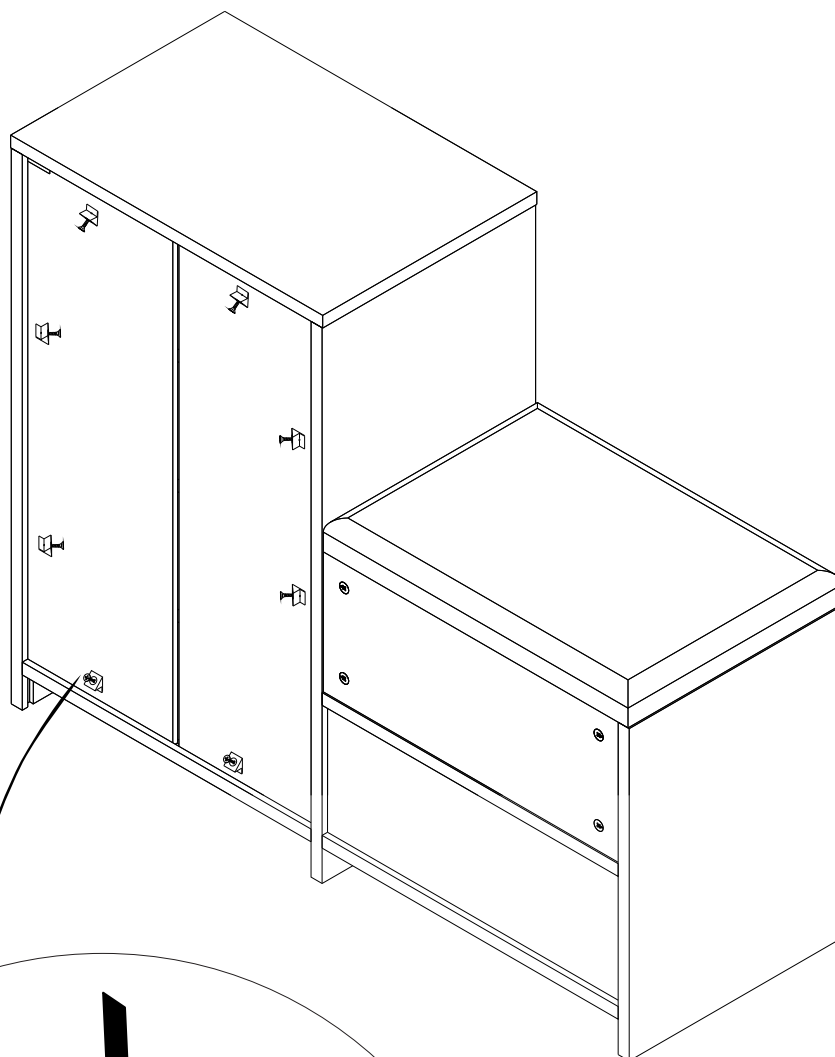




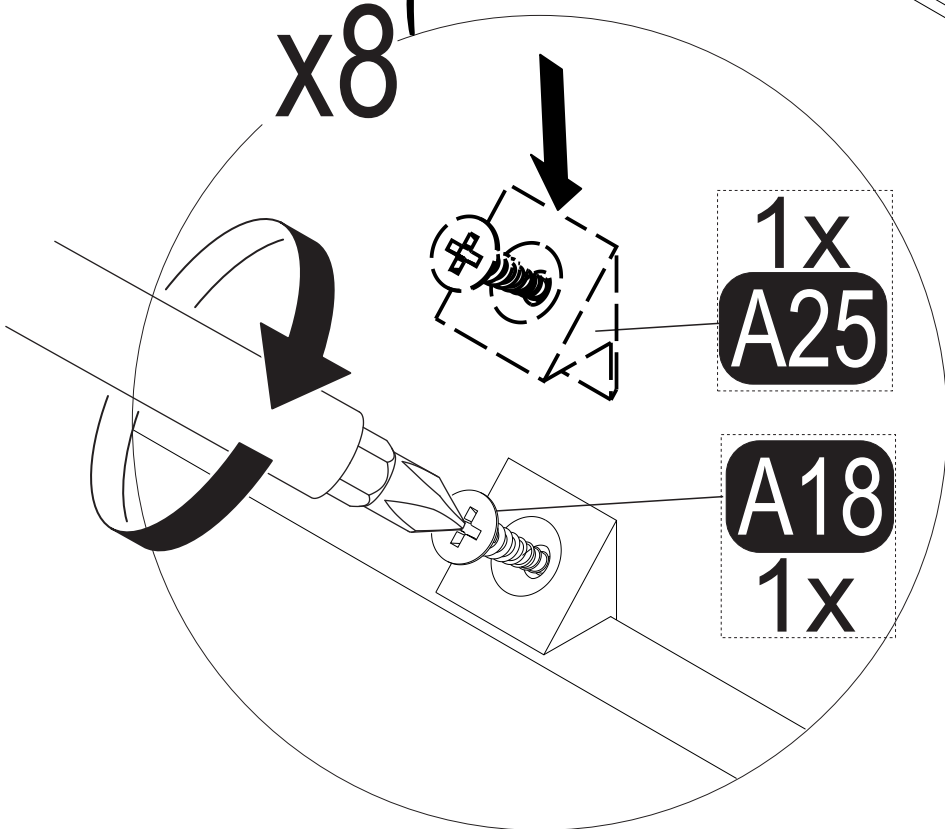


24



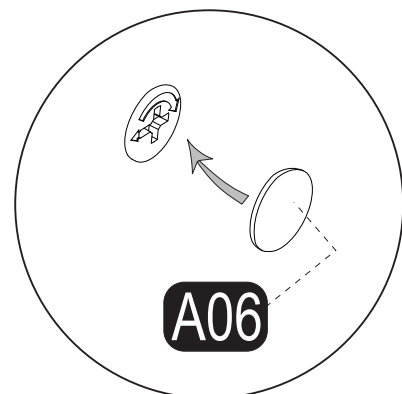


X8



1x
A25

A18
1x



A06

26

