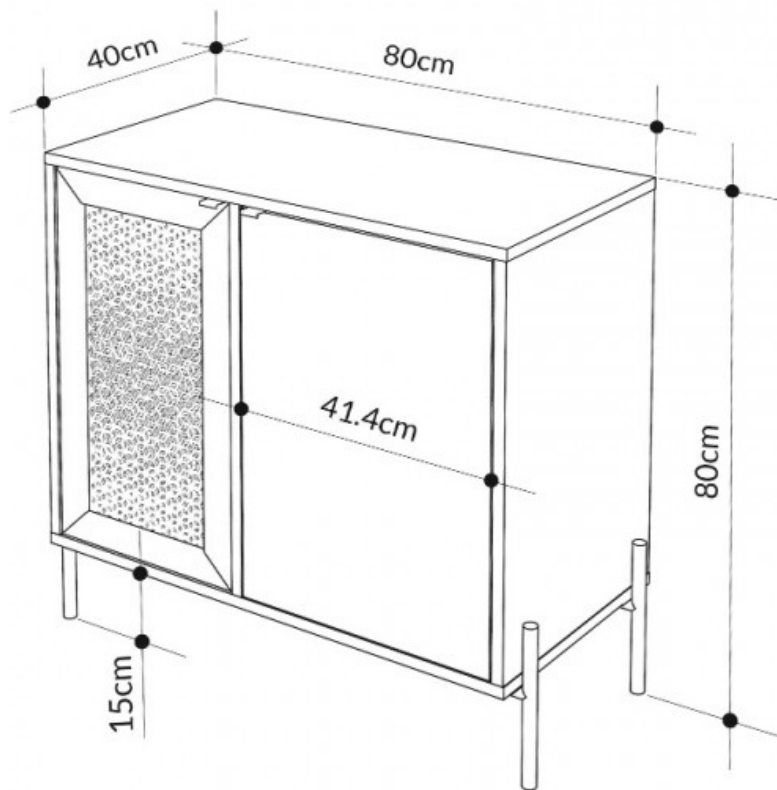
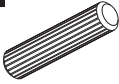

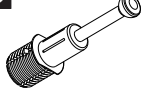

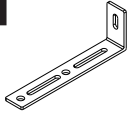
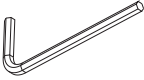


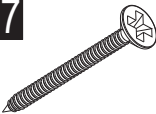

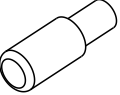
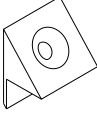



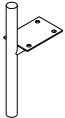
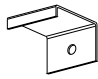
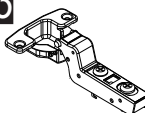
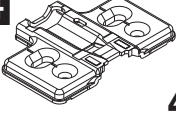
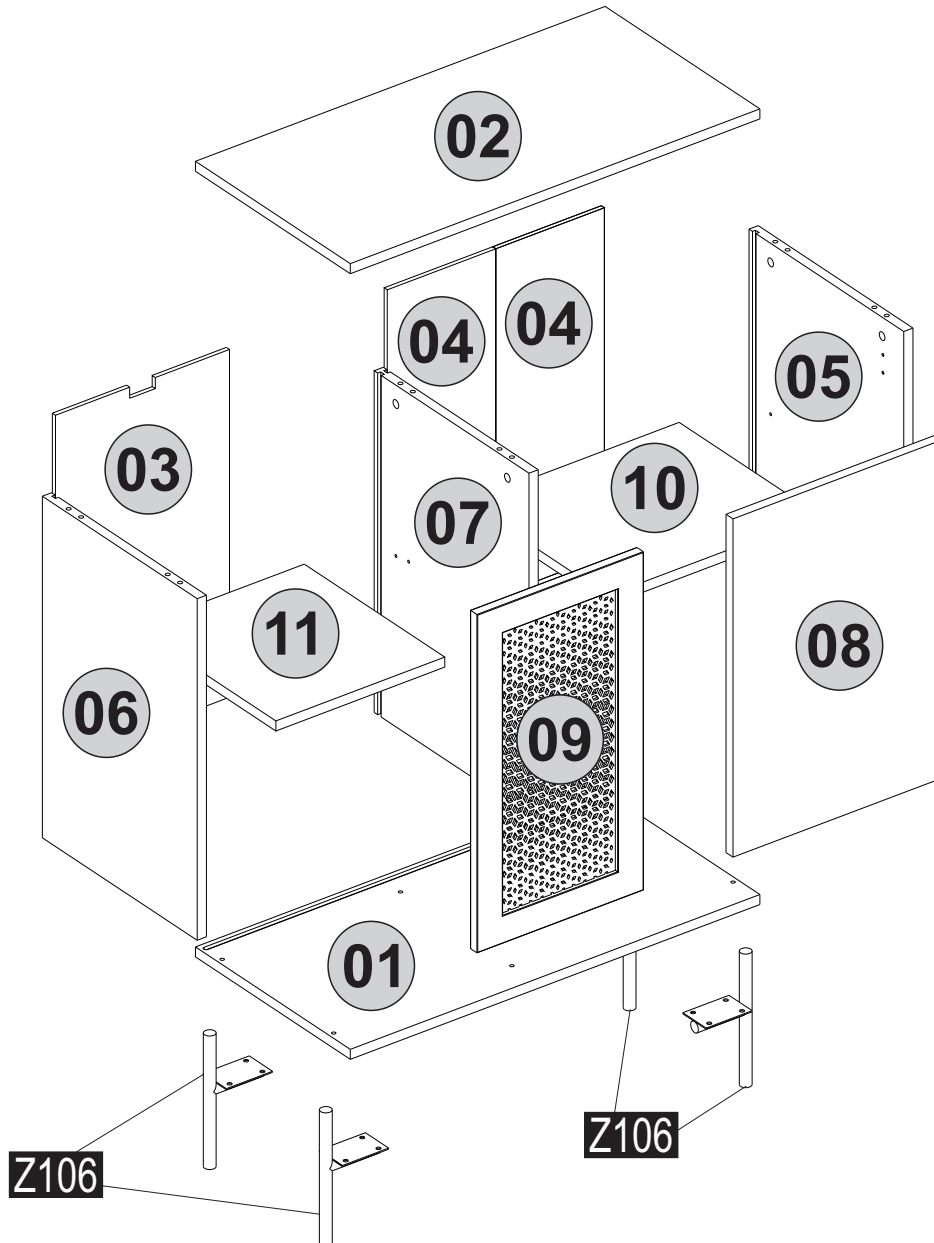


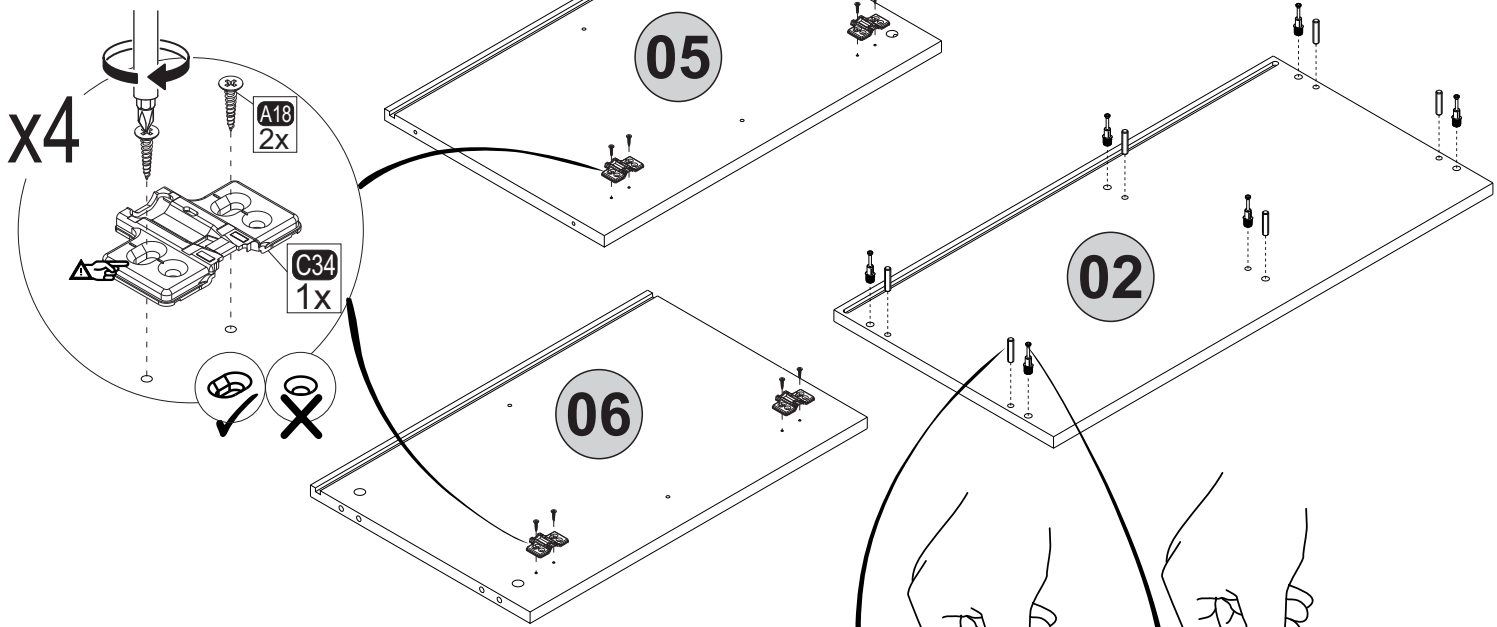
**i** GP037-0286,1



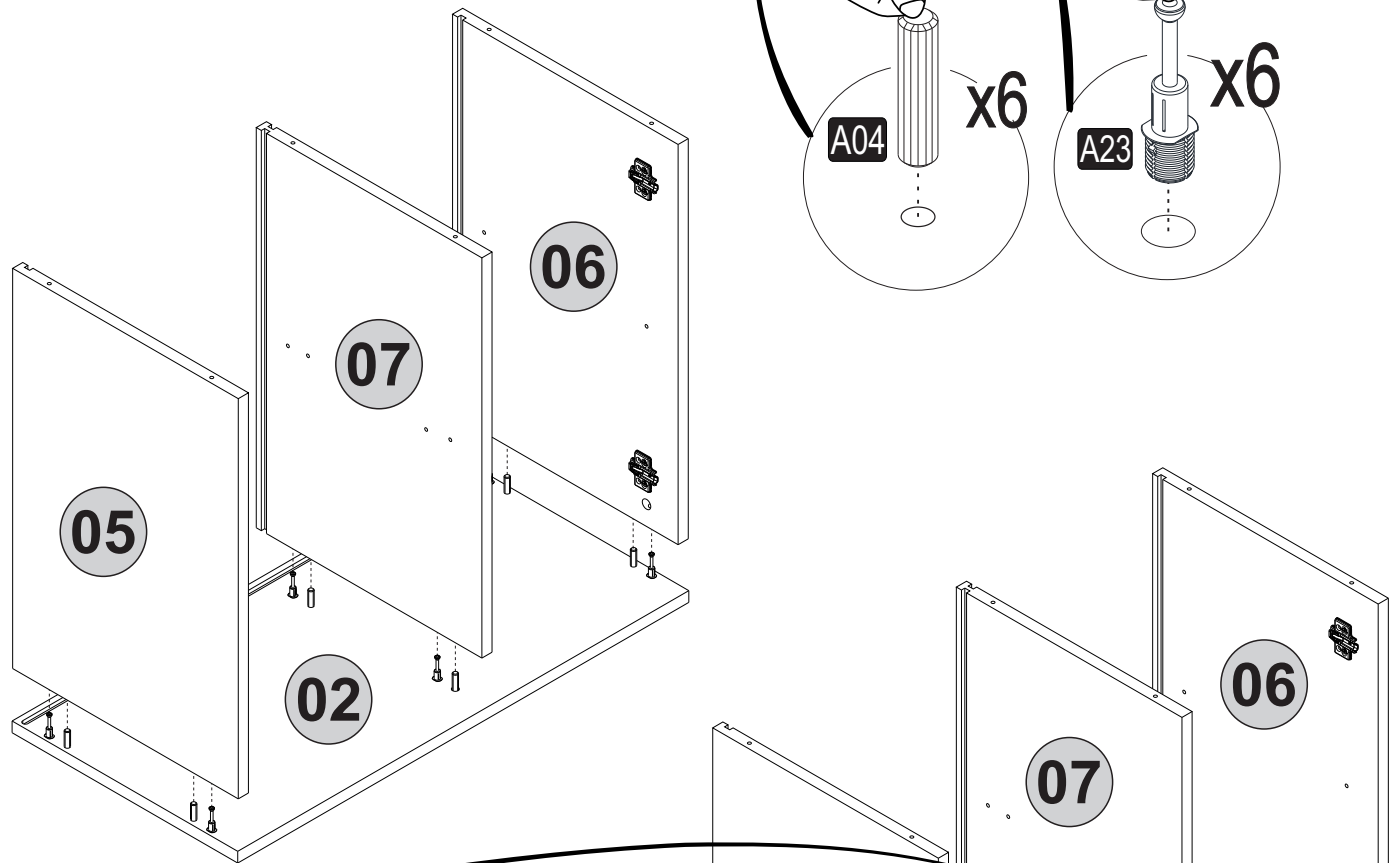
<b>A04</b> Ø8x30  6x	<b>A22</b> Minifix k18  6x	<b>A23</b> Minifix M10  6x	<b>A06</b> 18mm  C1-12x	<b>A87</b> 15x90x30  1x
<b>A12</b> Allen  1x	<b>A13</b> 50mm  6x	<b>A16</b> DbØ8  1x	<b>A17</b> 4X50  1x	<b>A18</b> 3,5x18  32x
<b>A48</b> Raf Pimi  8x	<b>A25</b> ARK.PL  6x	<b>A69</b> P.D.  16x	<b>B15</b> 15 (black)mm  16x	<b>A50</b> 3,5x16 (Black)  2x
<b>Z106</b> BPA  4x	<b>Z133</b> 30 mm MK  2x	<b>C33</b> TM  4x	<b>C34</b> MA  4x	



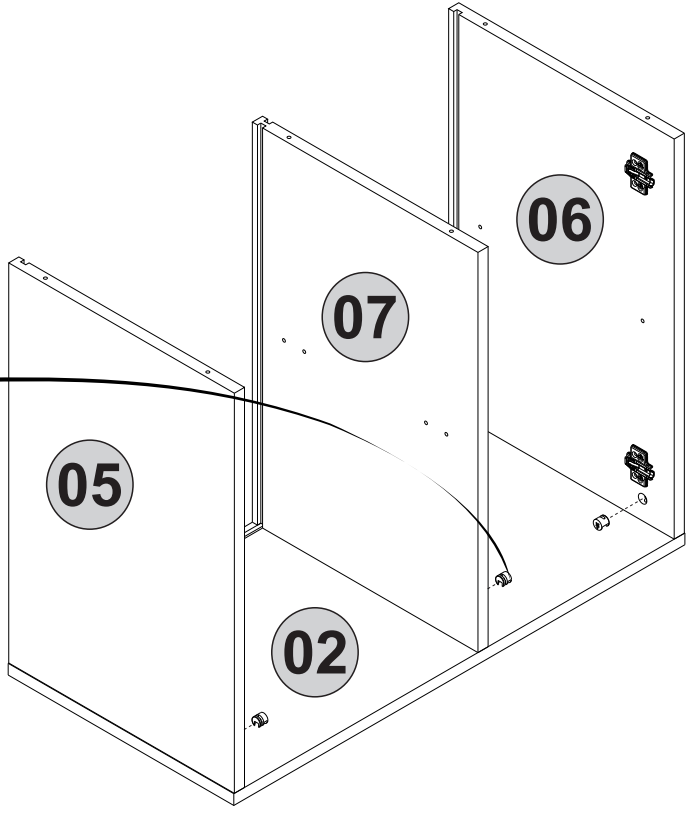
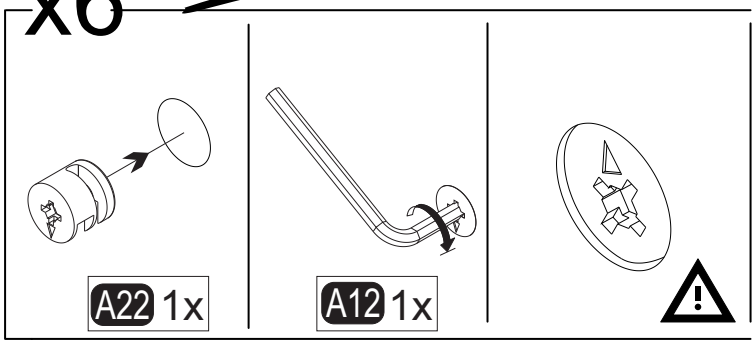
1

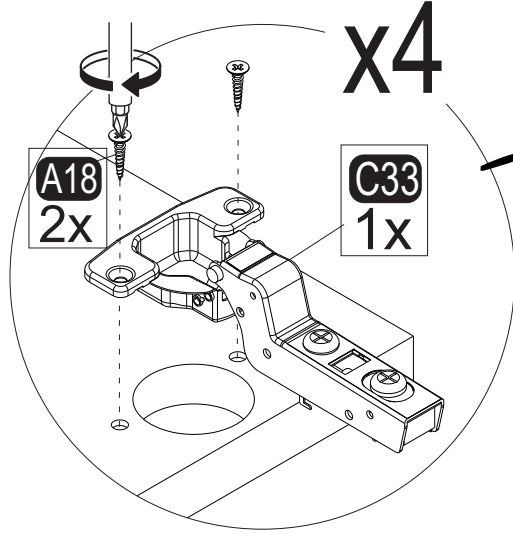
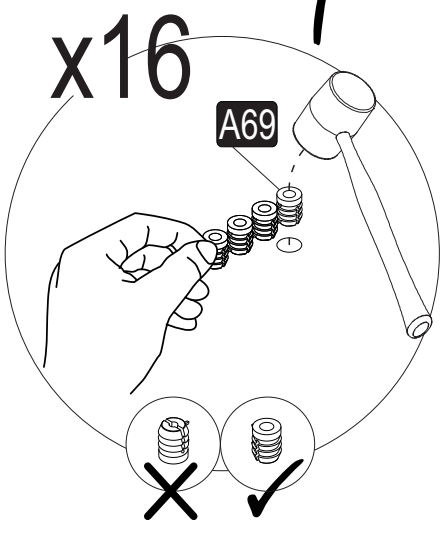
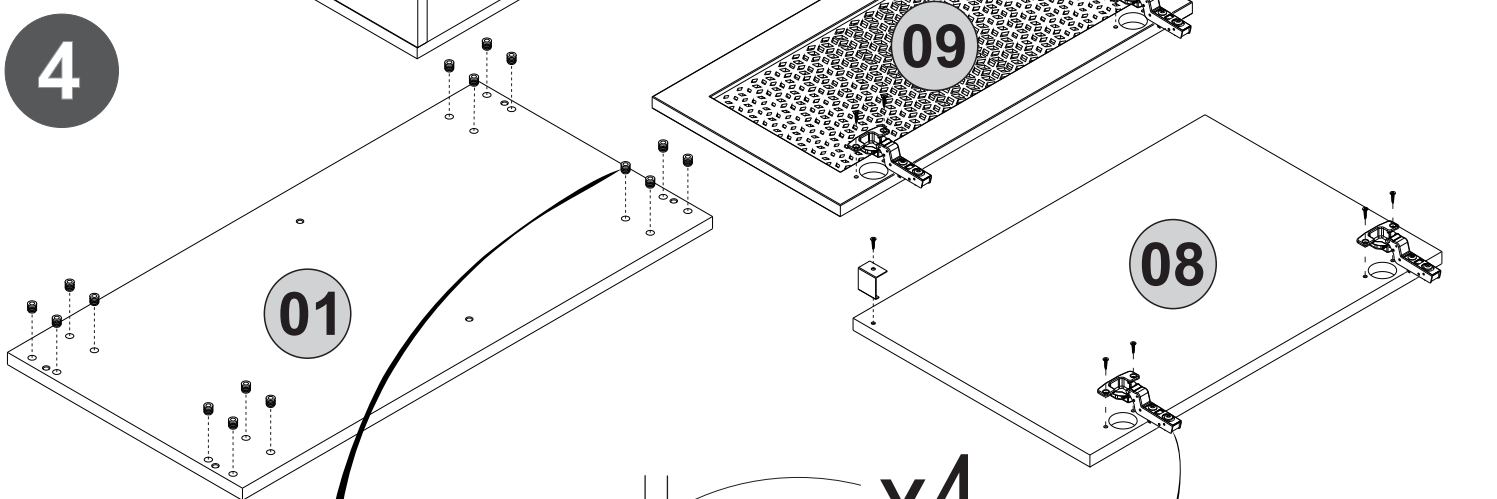
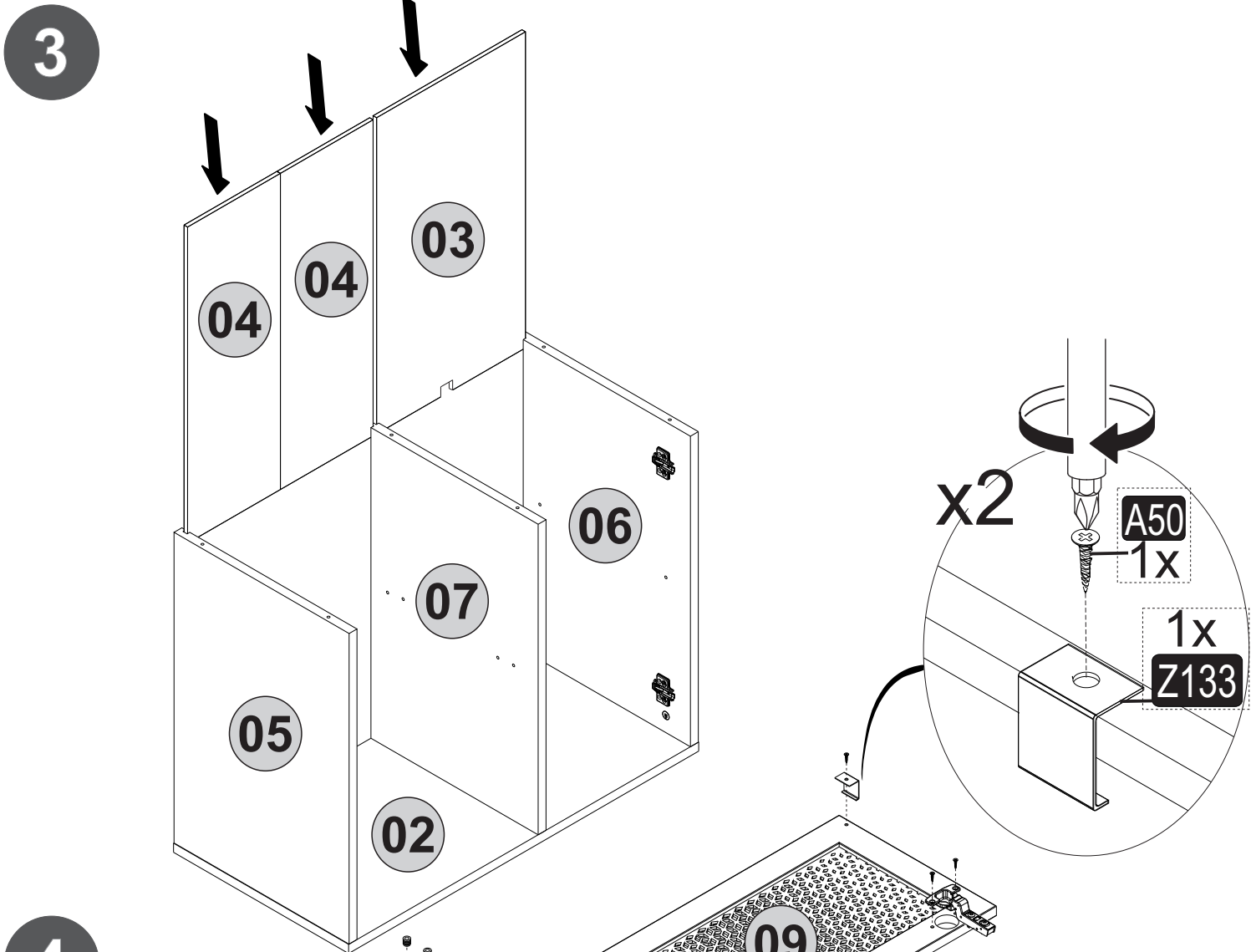


2

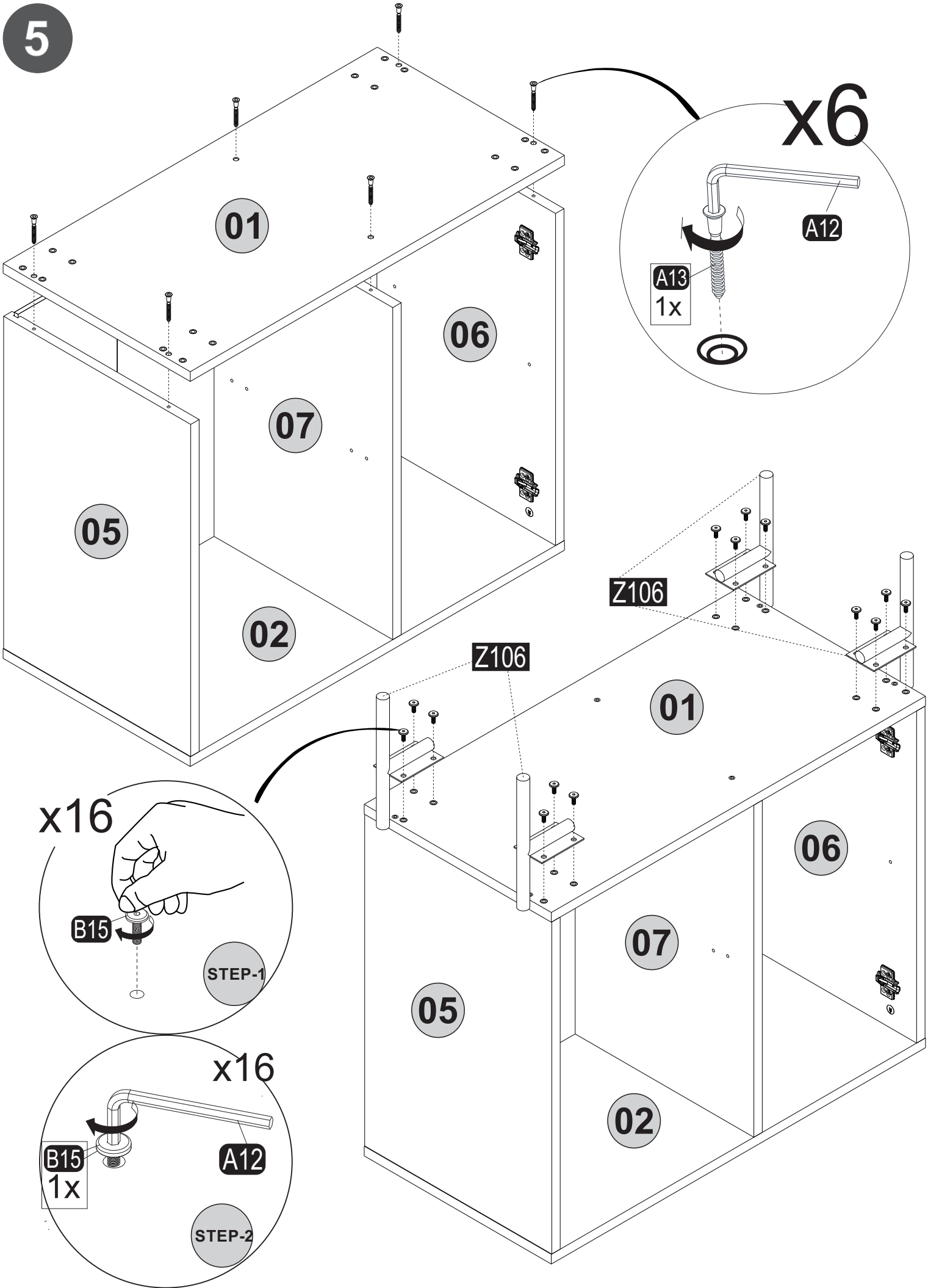


x6

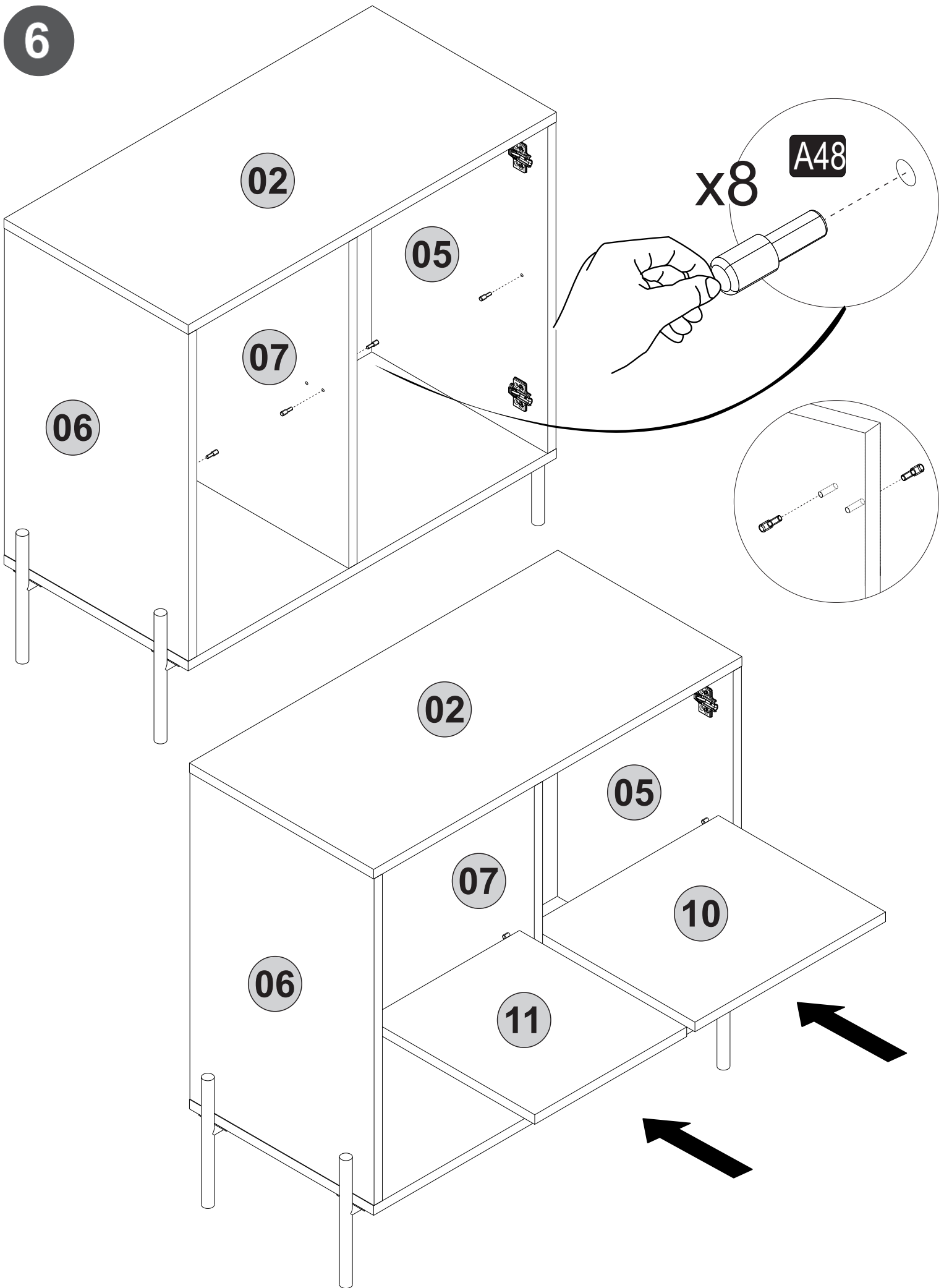




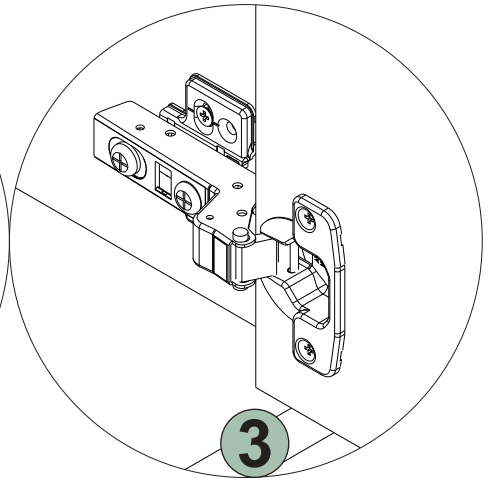
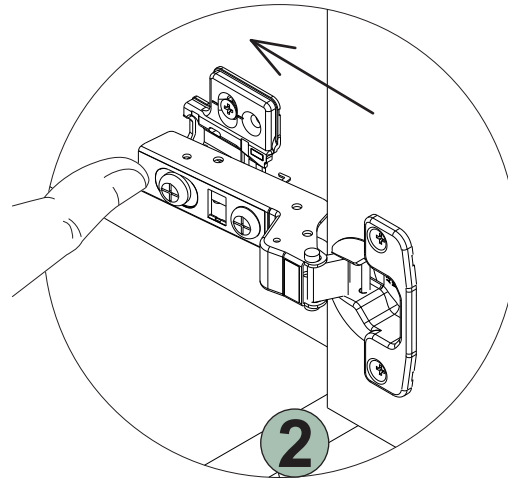
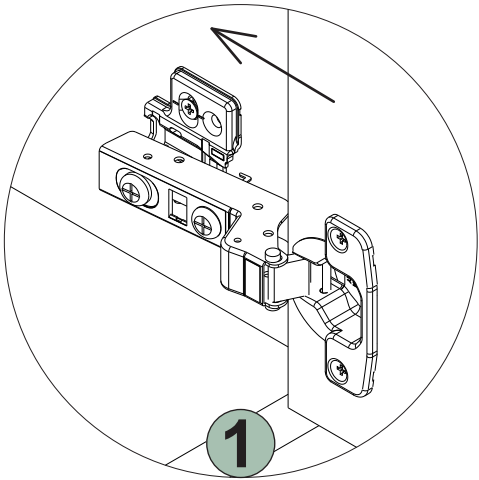
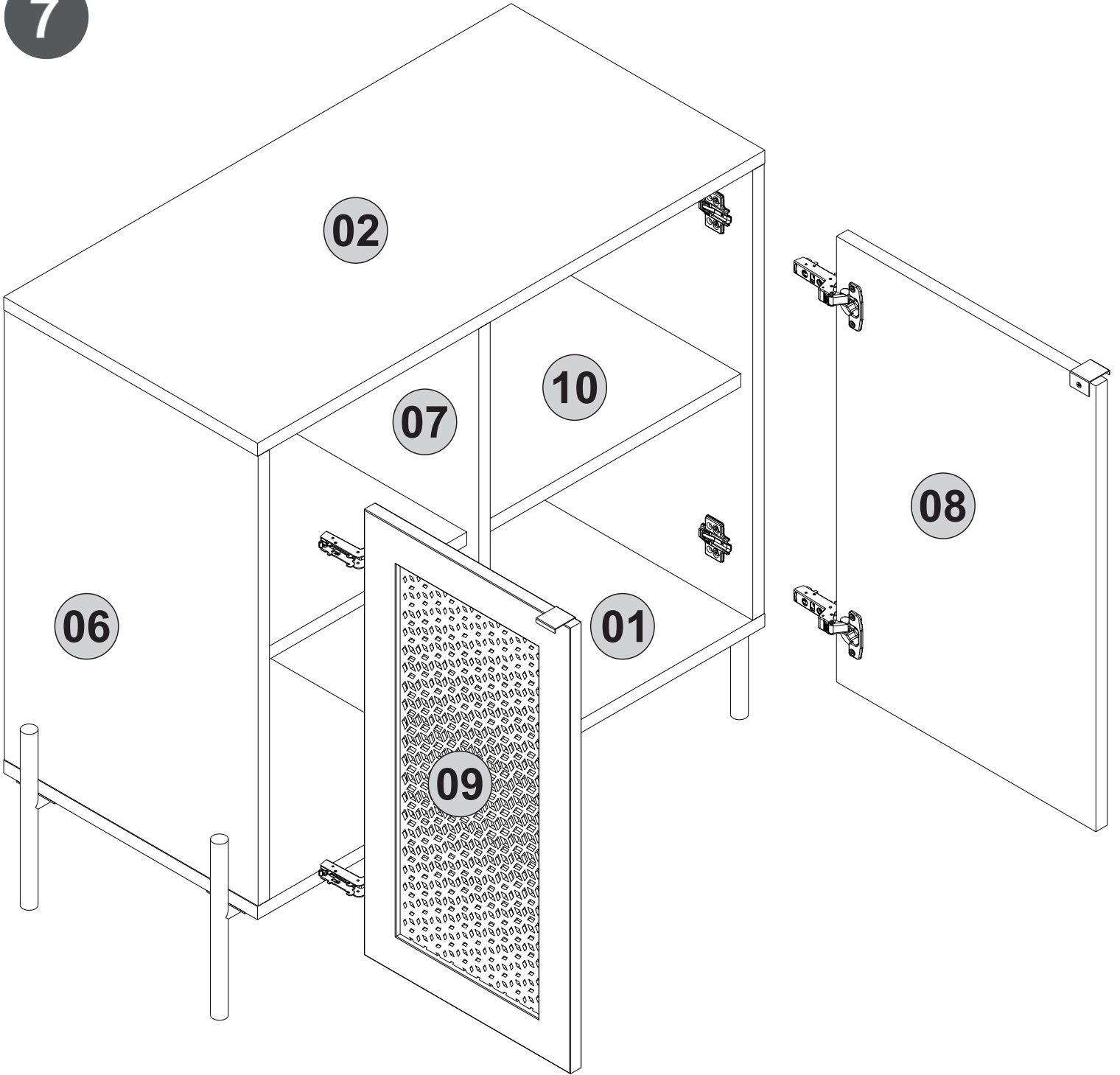
5



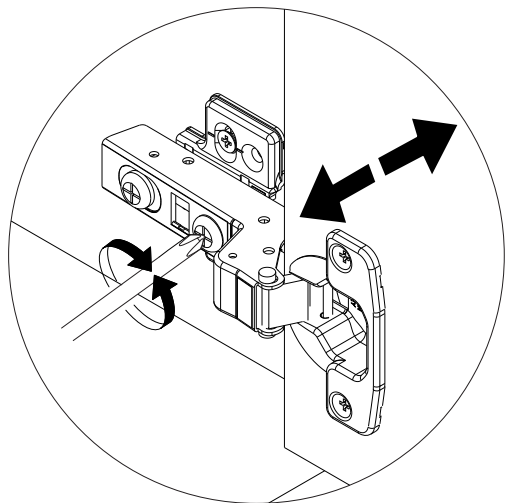
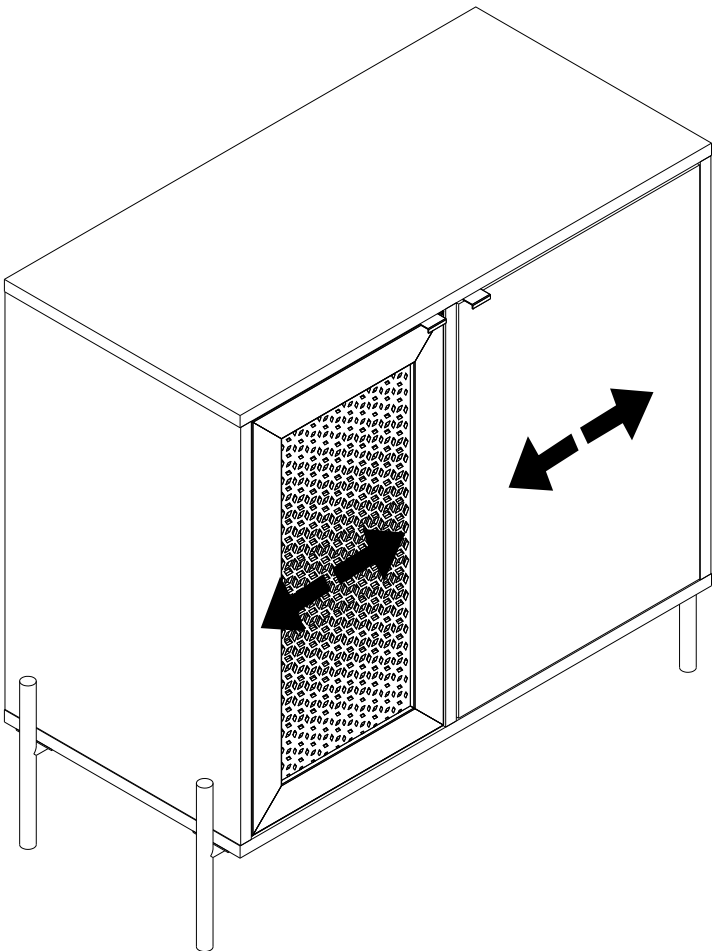
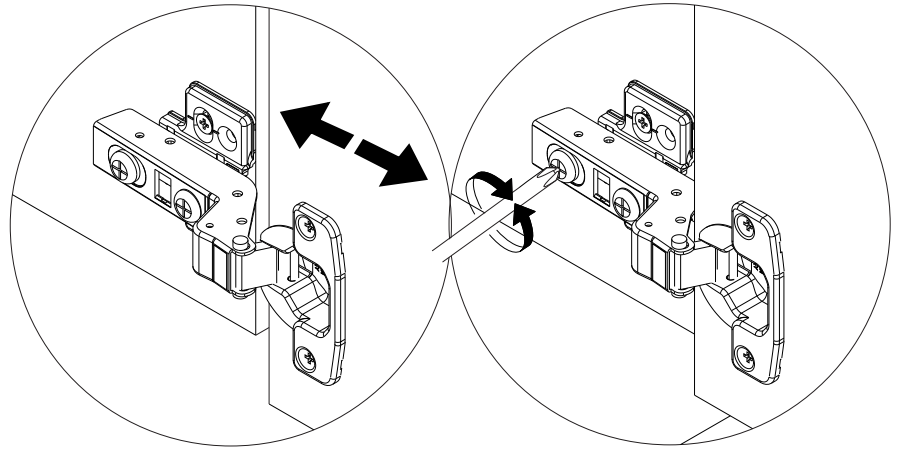
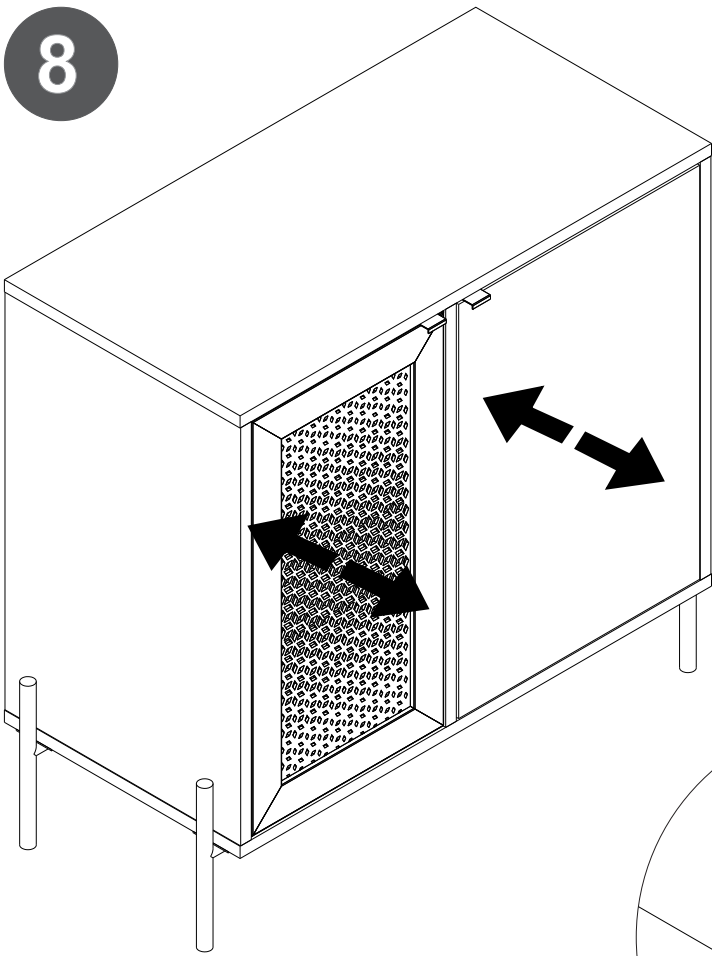
6



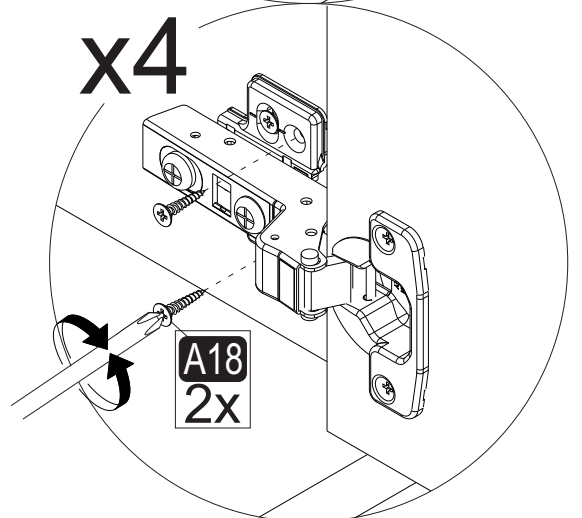
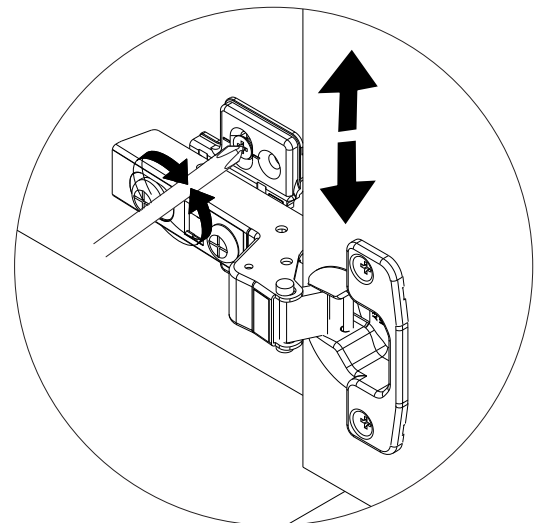
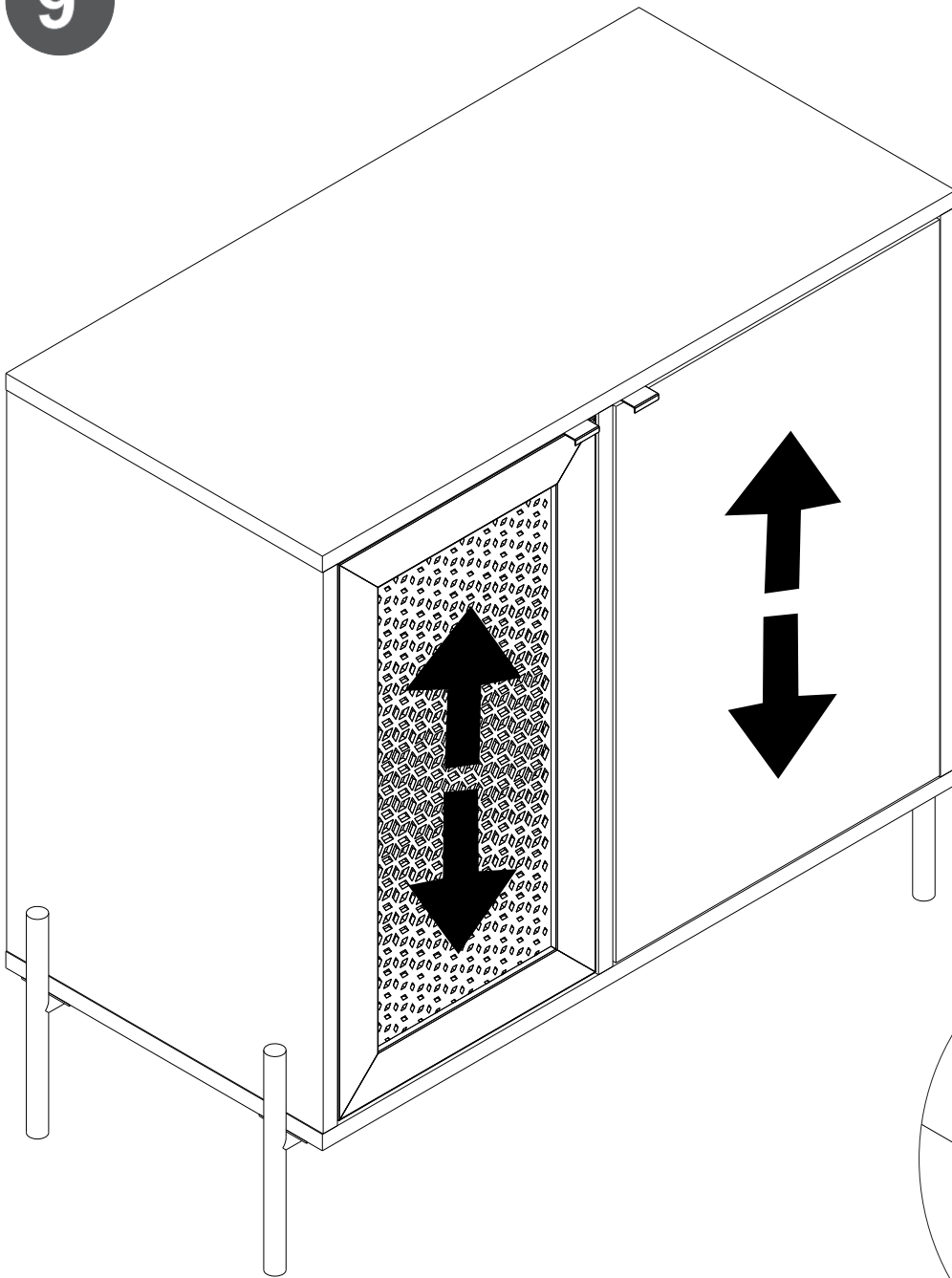
7



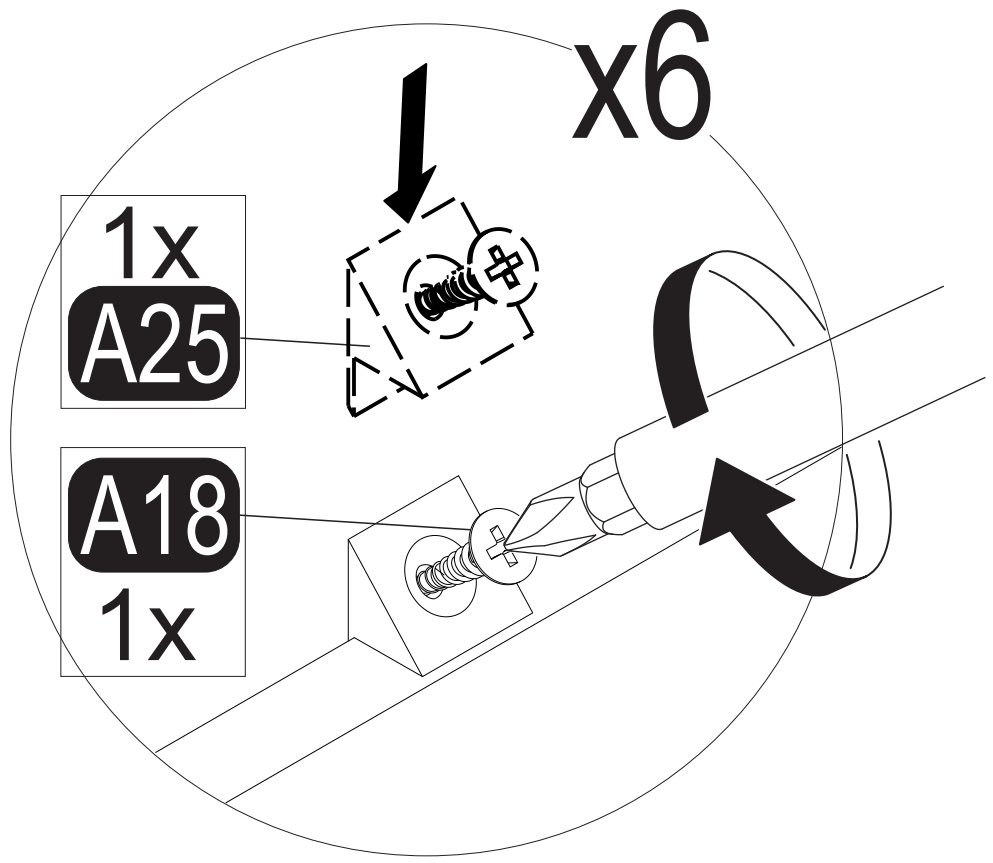
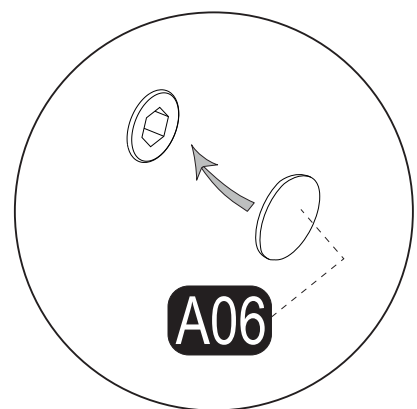
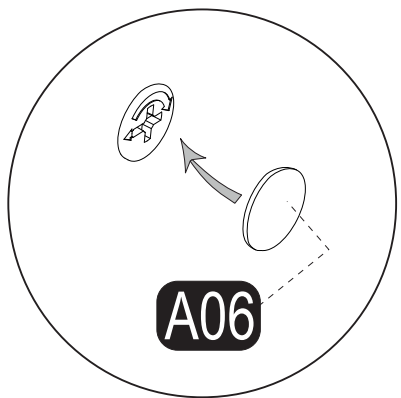
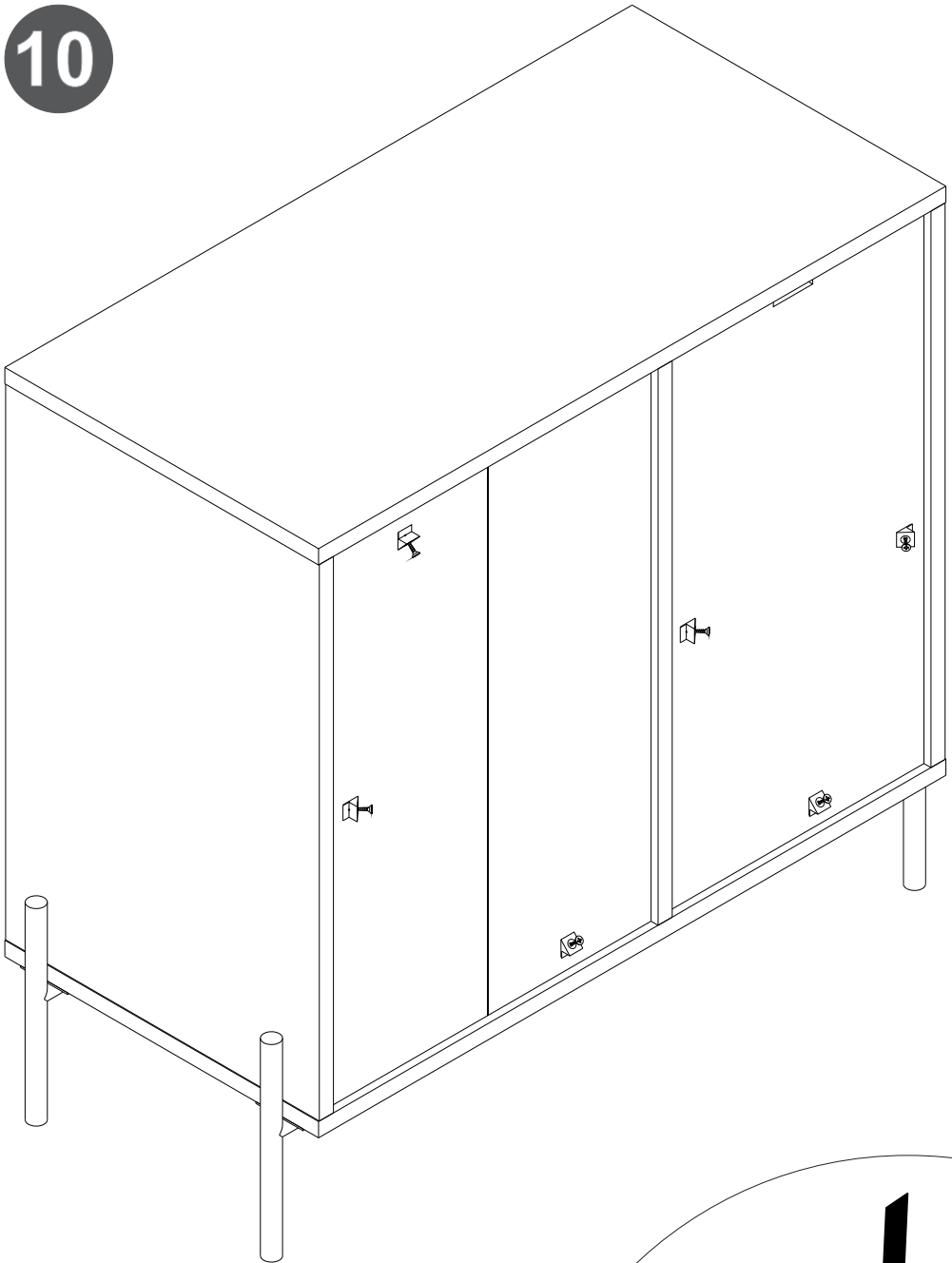
8



9



10



11

