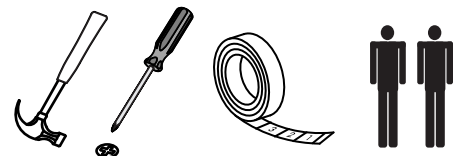


i GP042-0015,2


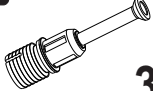


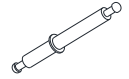

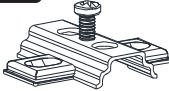
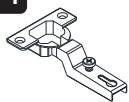
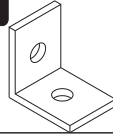
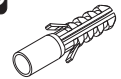






180 x 35 x 51cm

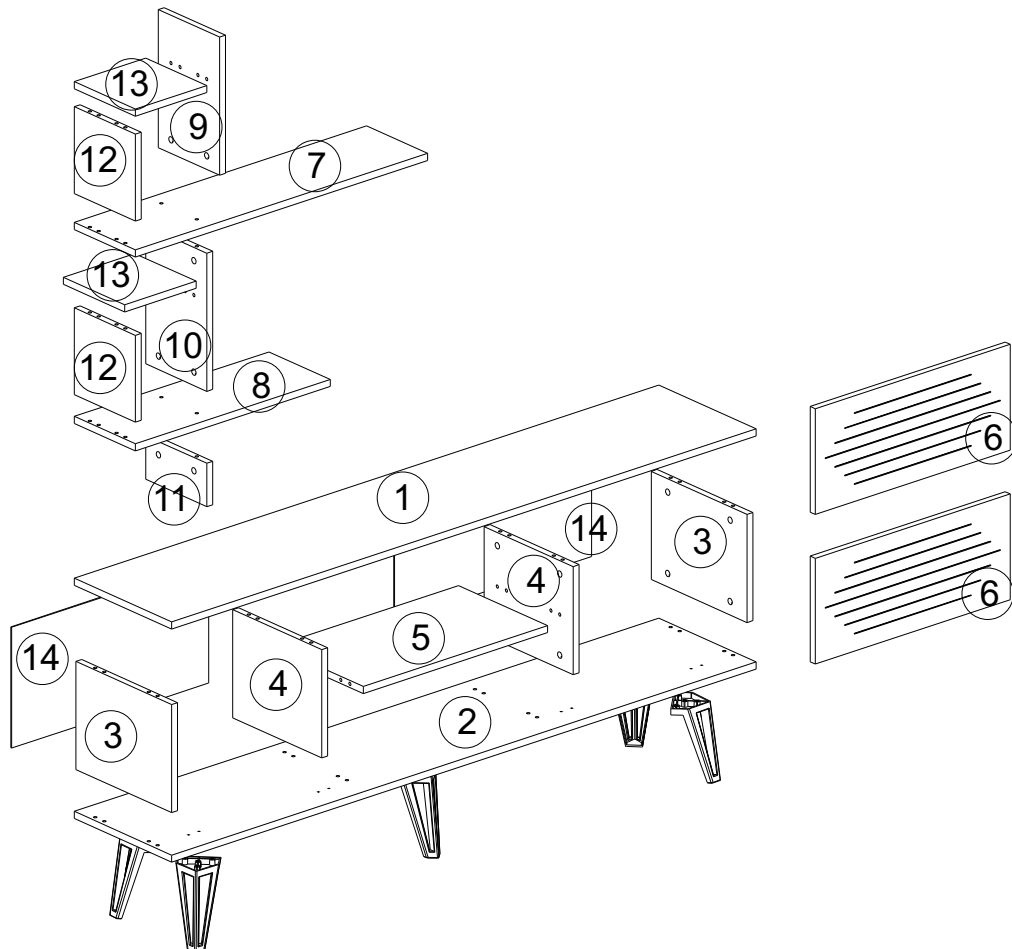


The necessary tools (not included)

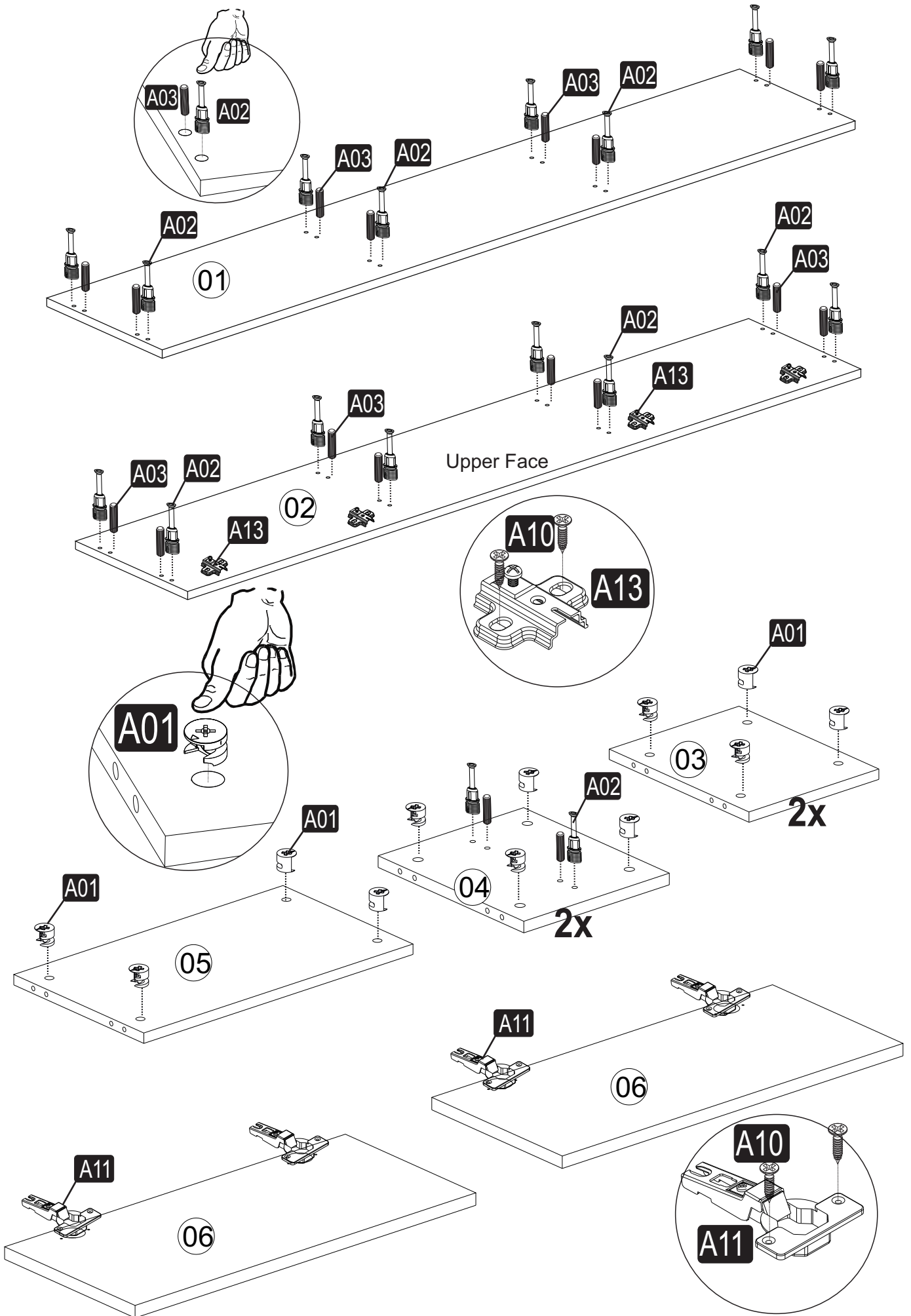
ACCESSORY LIST

A01  40x	A02  32x	A03  32x	A04  A 40x	A06 UM(Sgml)  4x
A10 3,5x18 YHB  19x	A13 MA  4x	A11 SPM  4x	A07 -L  3x	A08 Ø8  3x
A09 4x50 YHB  3x	A29 3,5x30 YHB  20x	D17  5x	A28  24x	

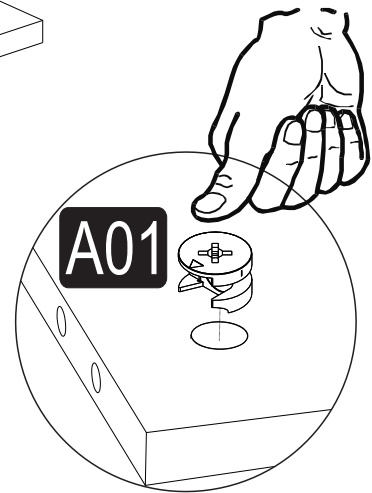
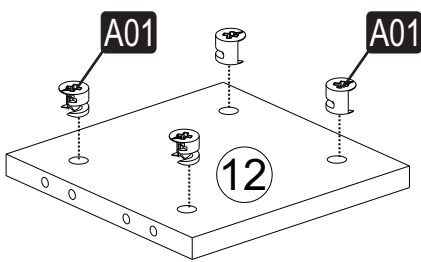
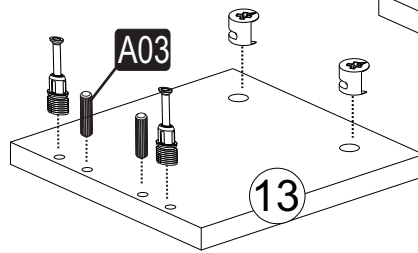
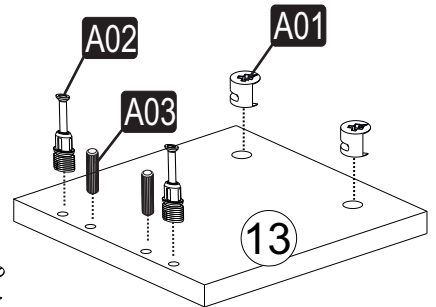
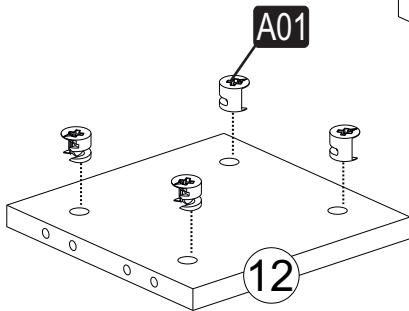
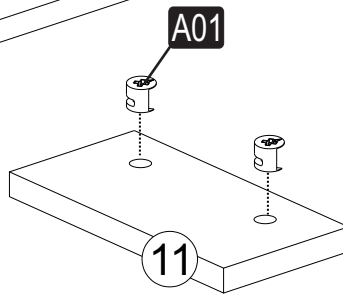
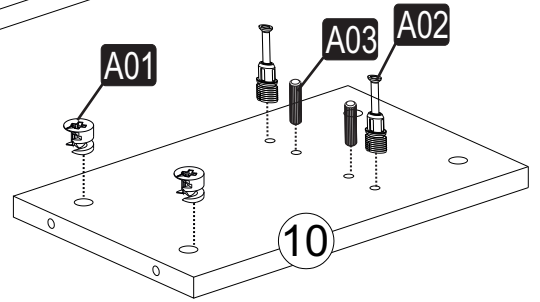
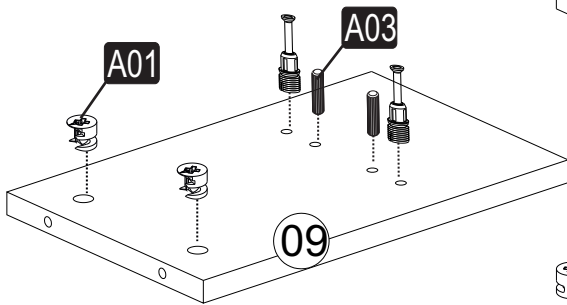
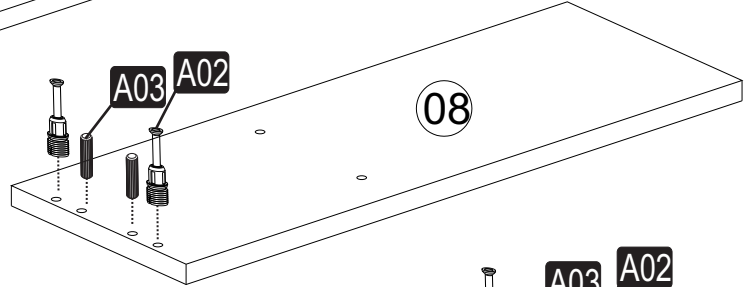
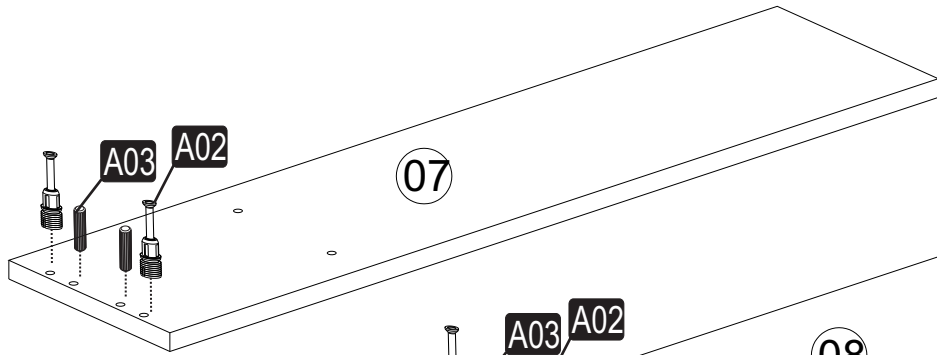
GENERAL VIEW



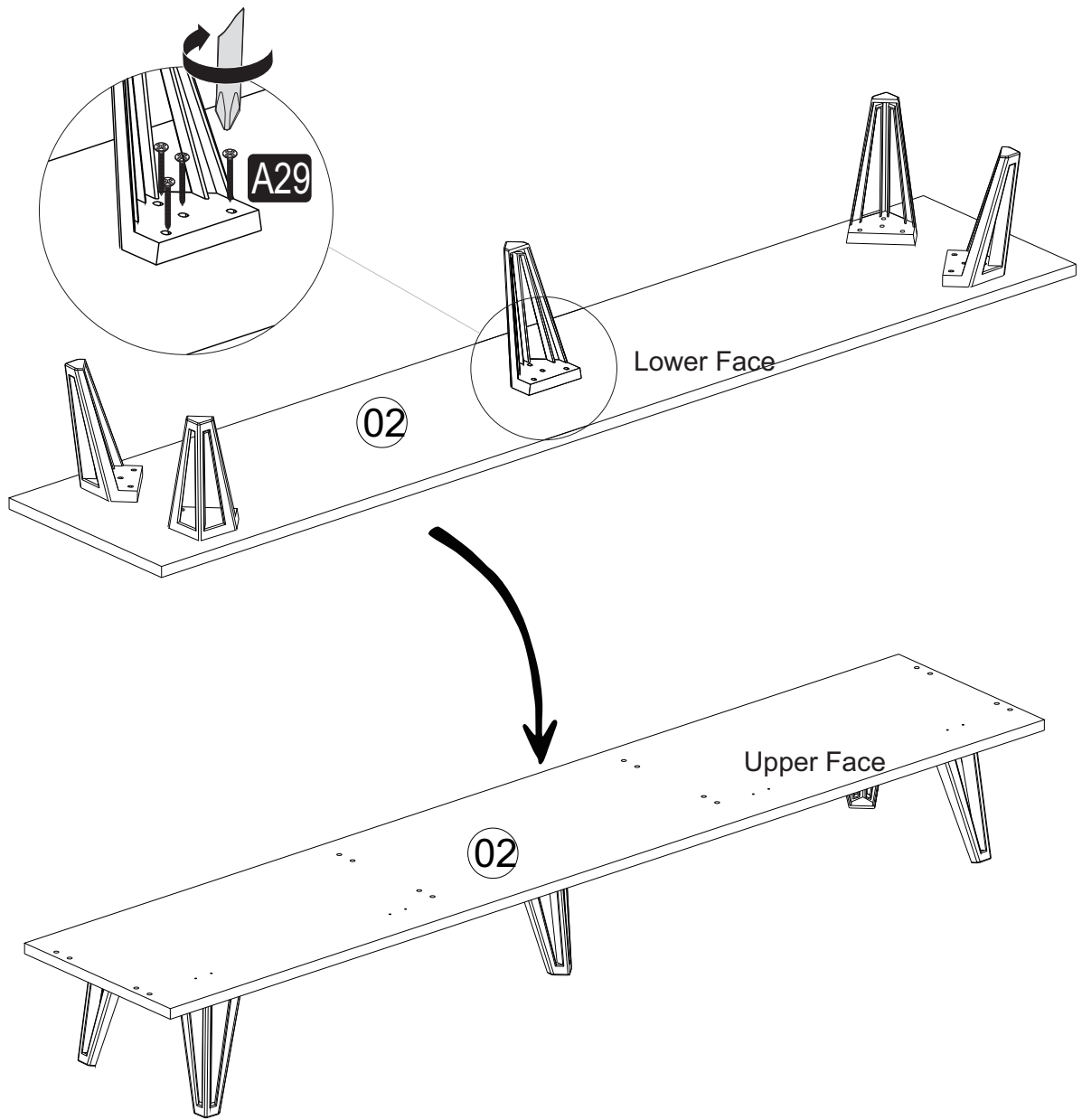
1



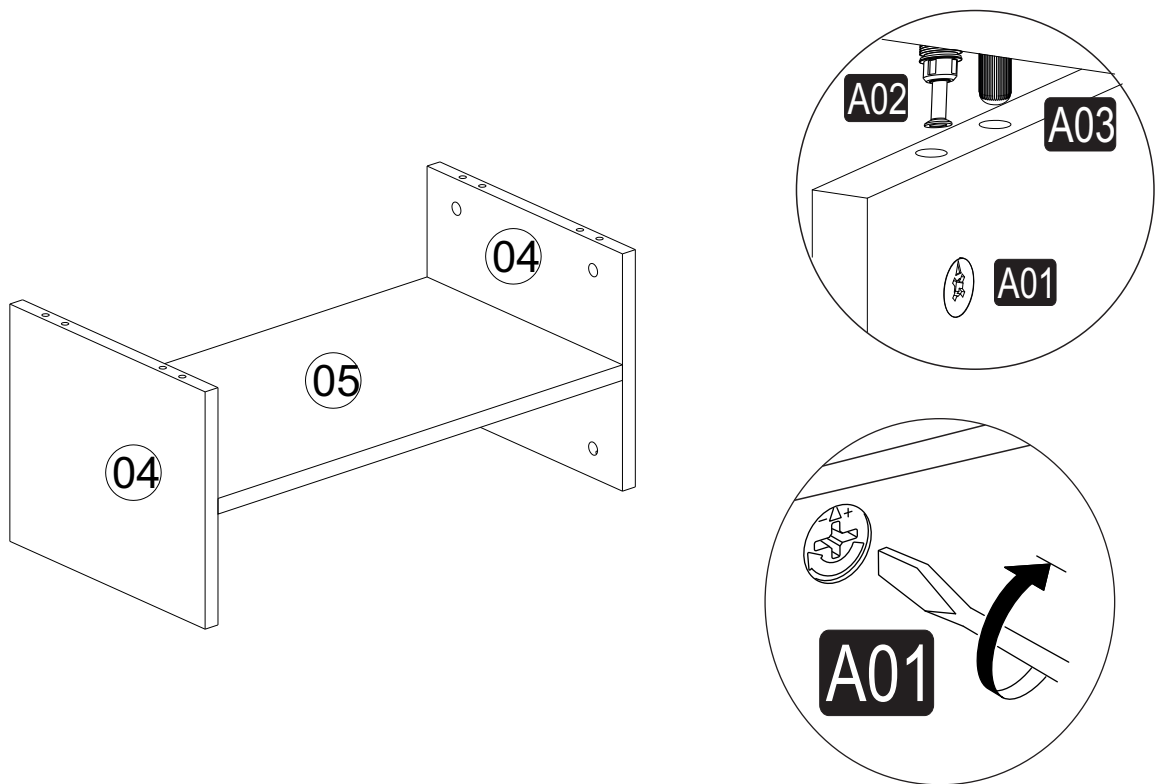
2



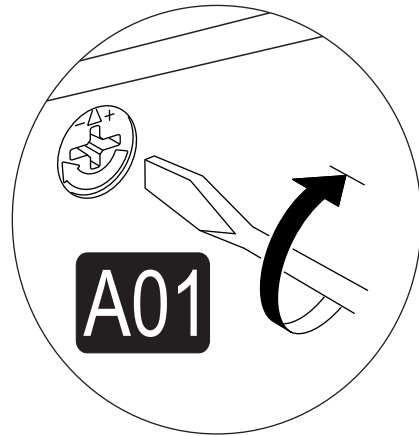
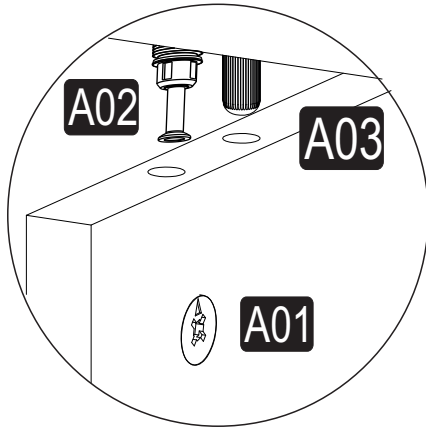
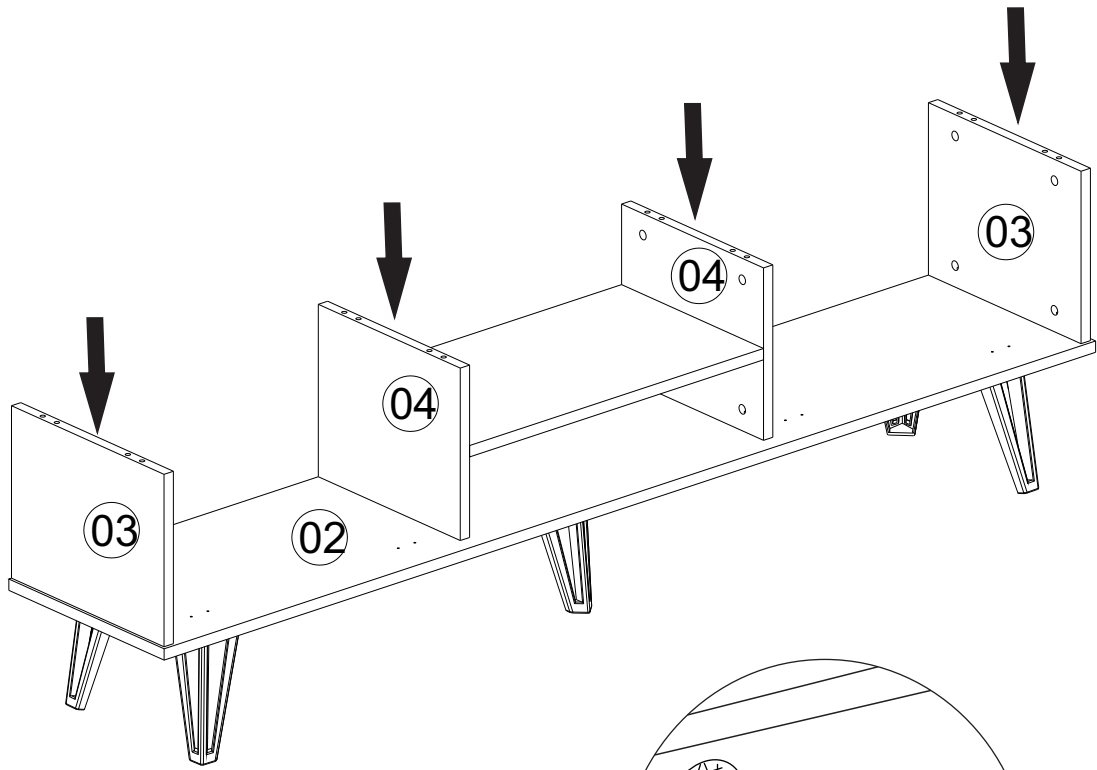
3



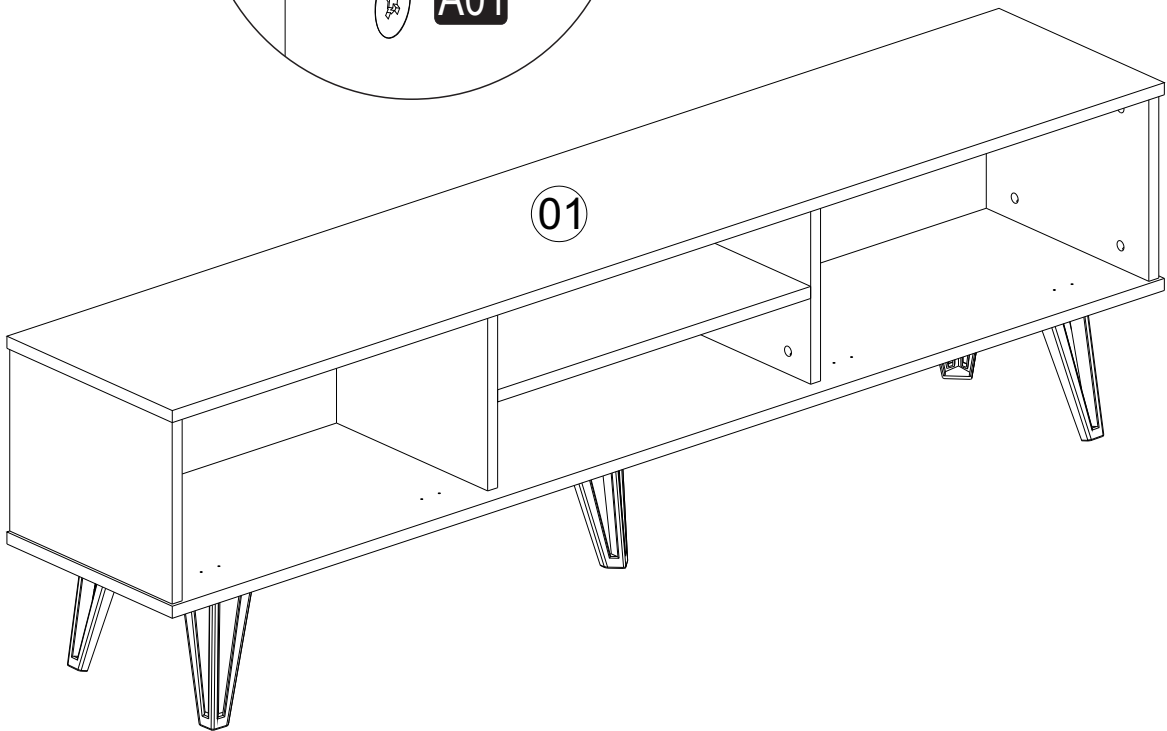
4



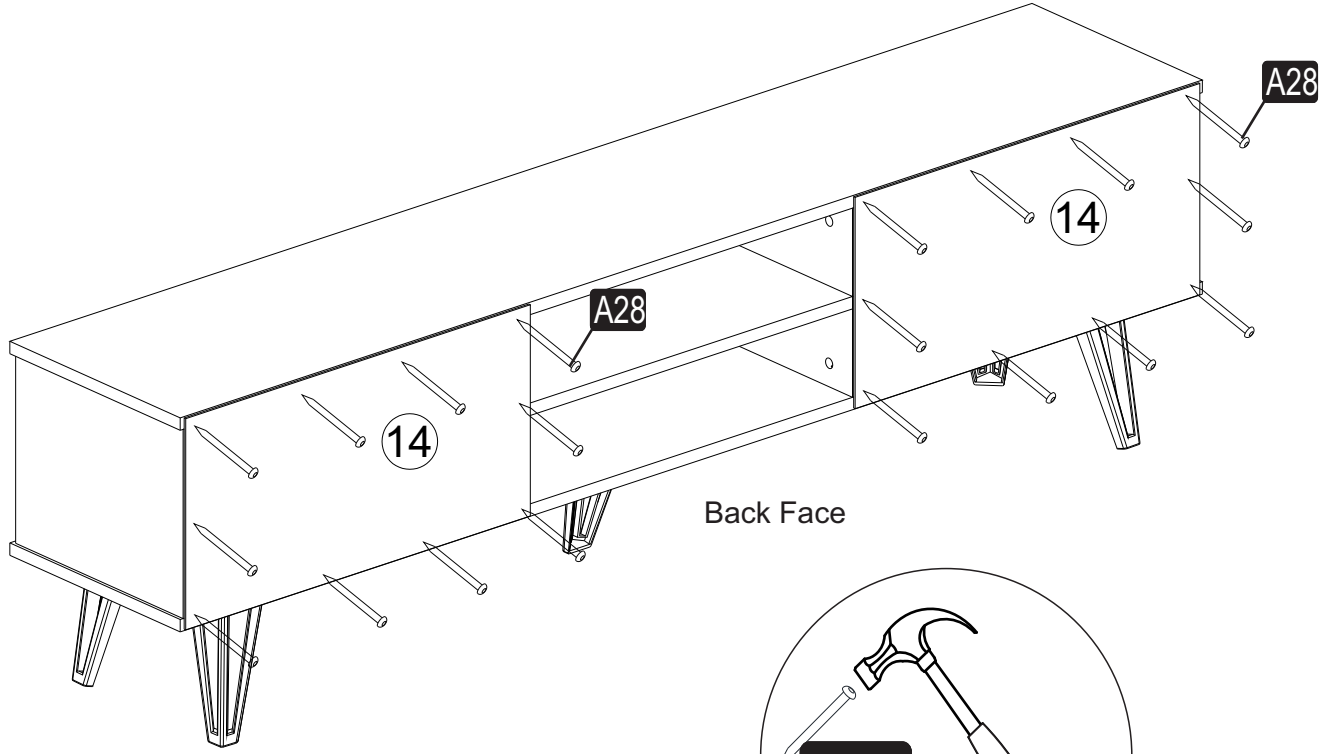
5



6

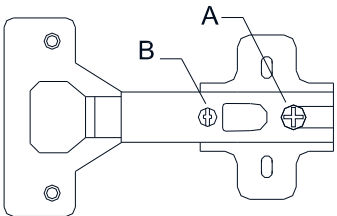
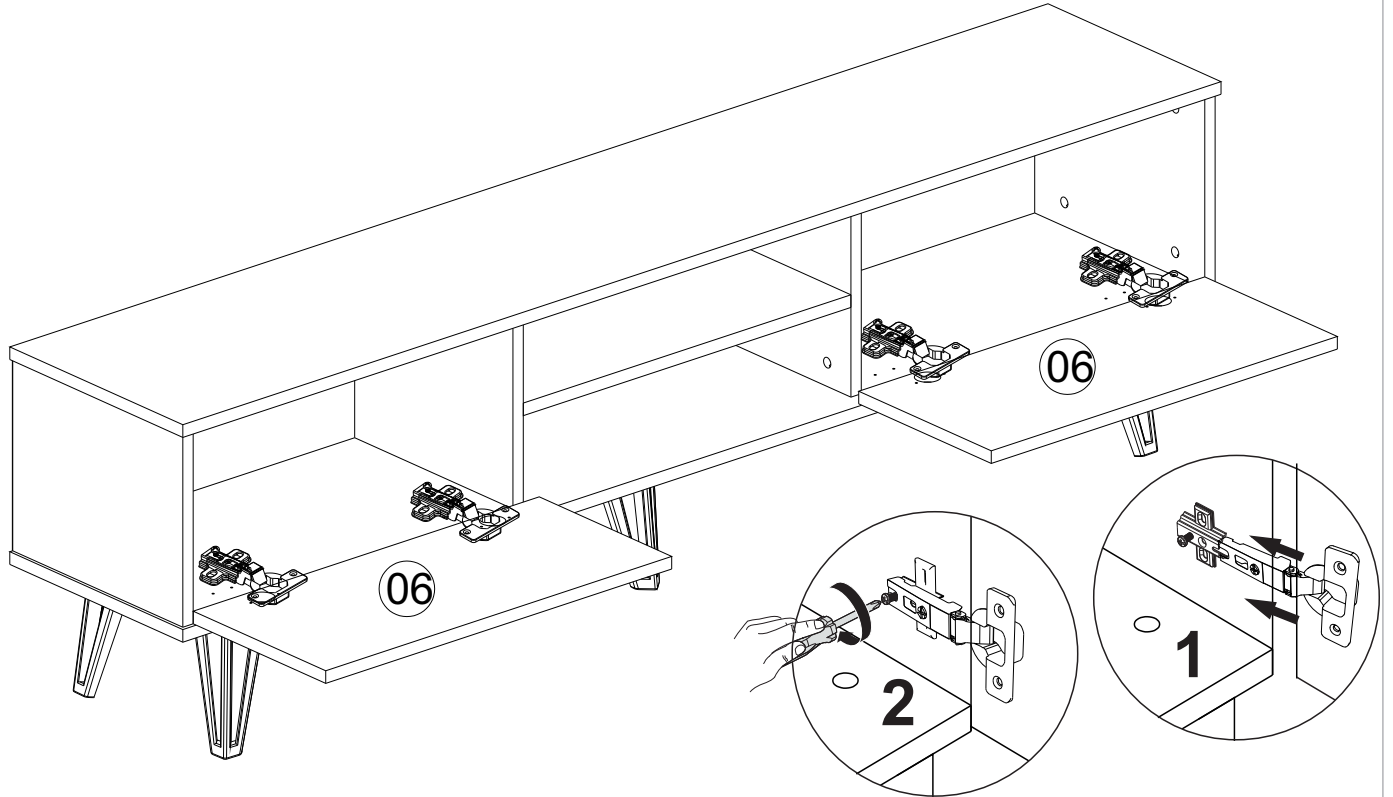


7

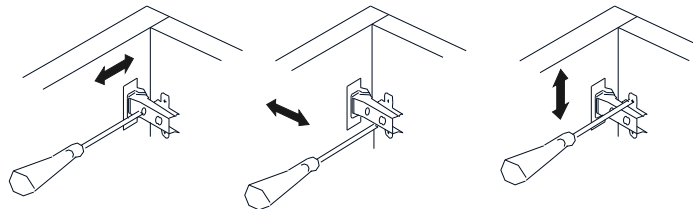


Back Face

8



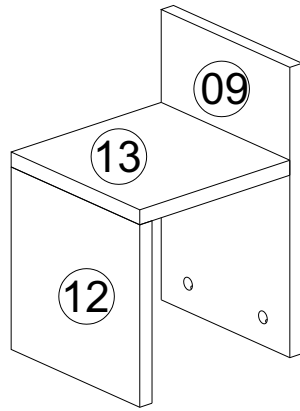
A= menteşe bağlama vidası / to connect the hinge to the door
 B= kapak ayar vidası / to arrange the door



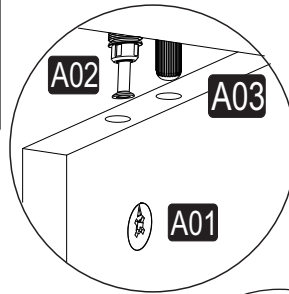
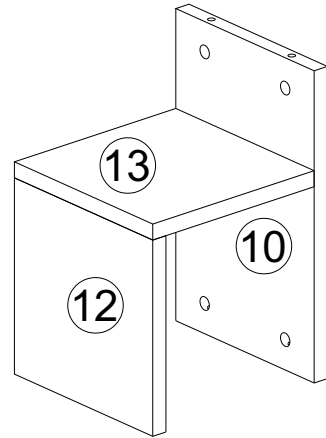
oklar kapağın ayarlama yönünü gösterir.
 arrows to show the directions for arrangement of doors.

9

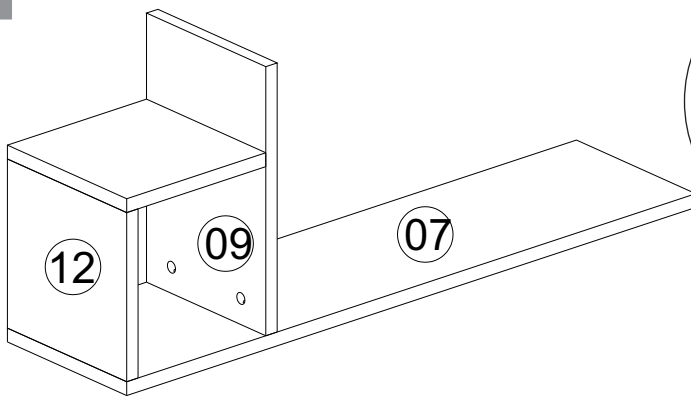
9



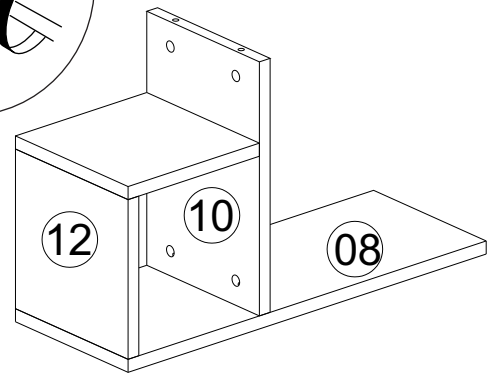
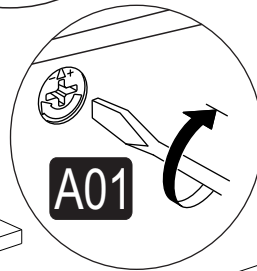
10



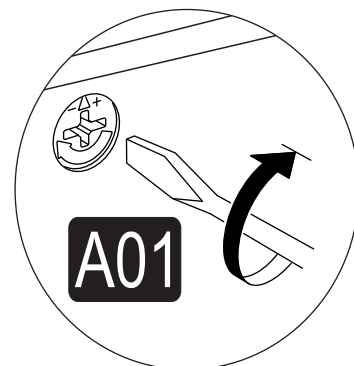
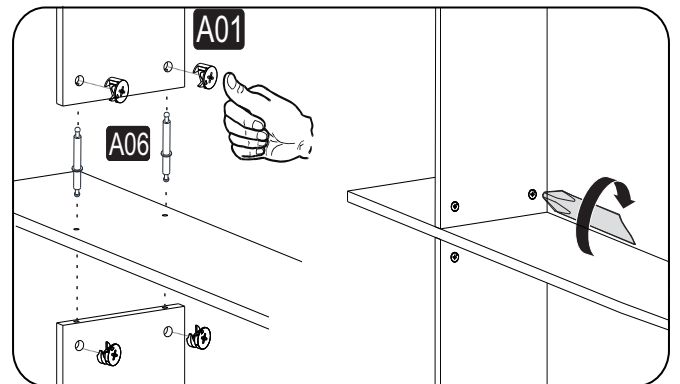
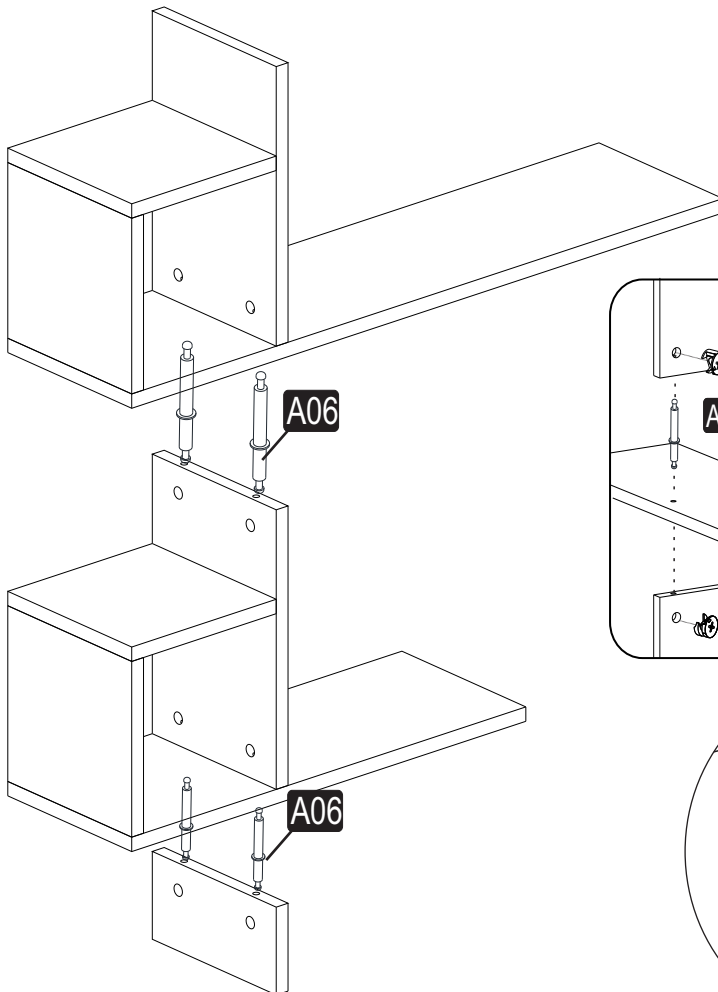
11

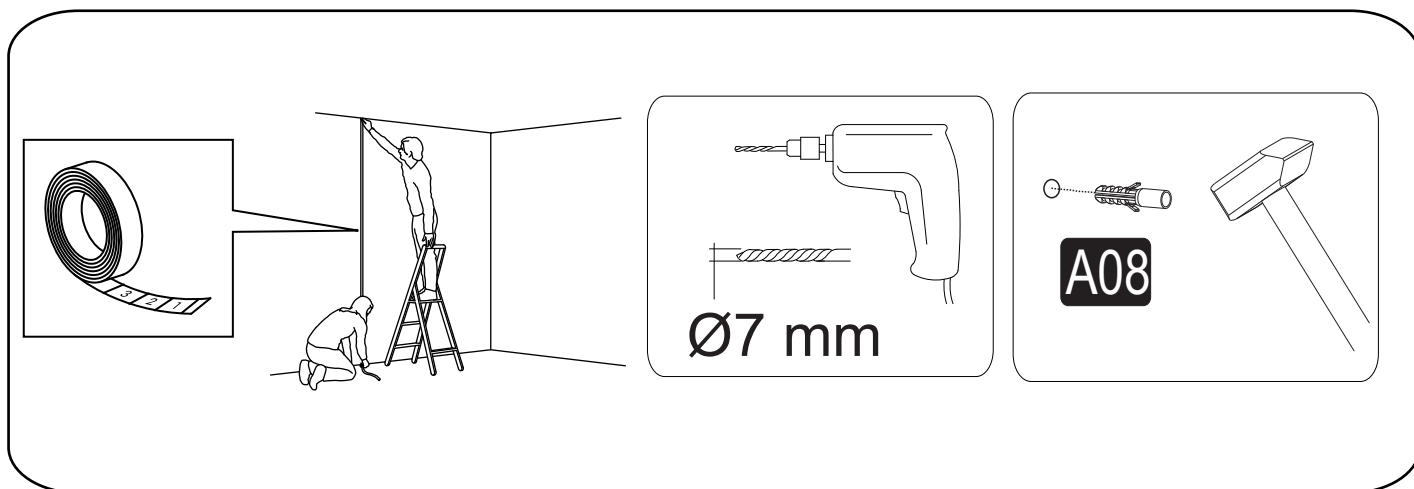
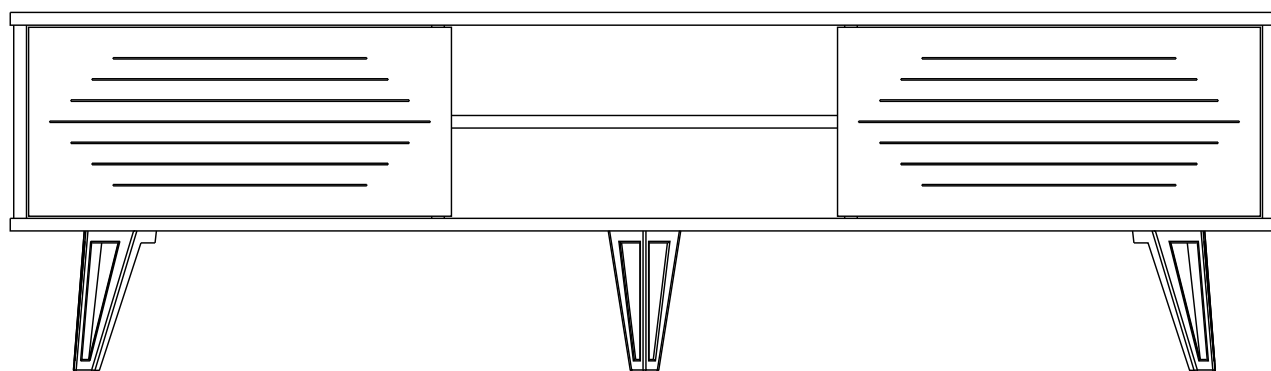
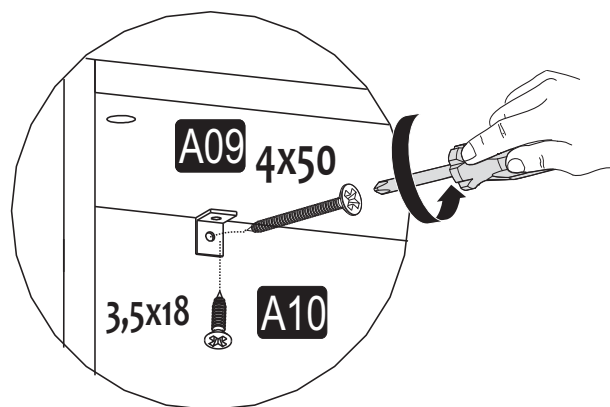
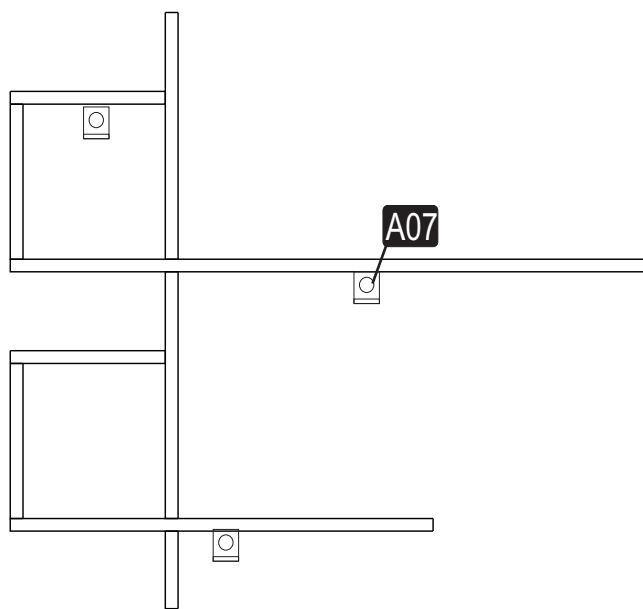


12



13





15

