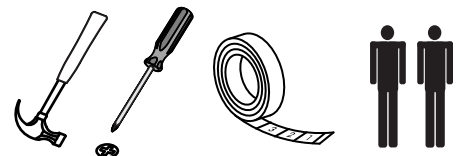


i GP042-0193,1

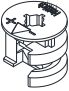
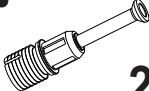









110 x 60 x 40cm

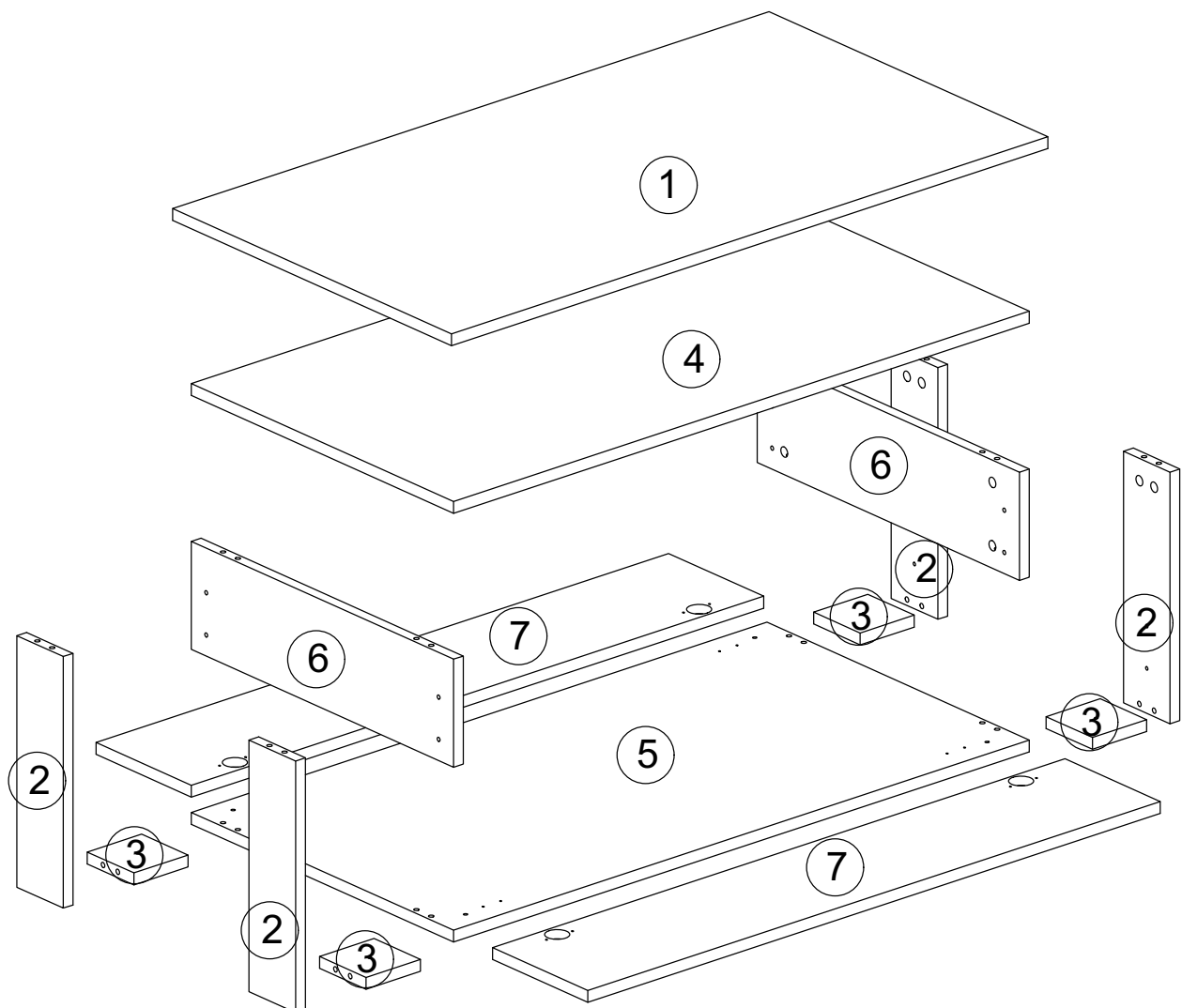


The necessary tools (not included)

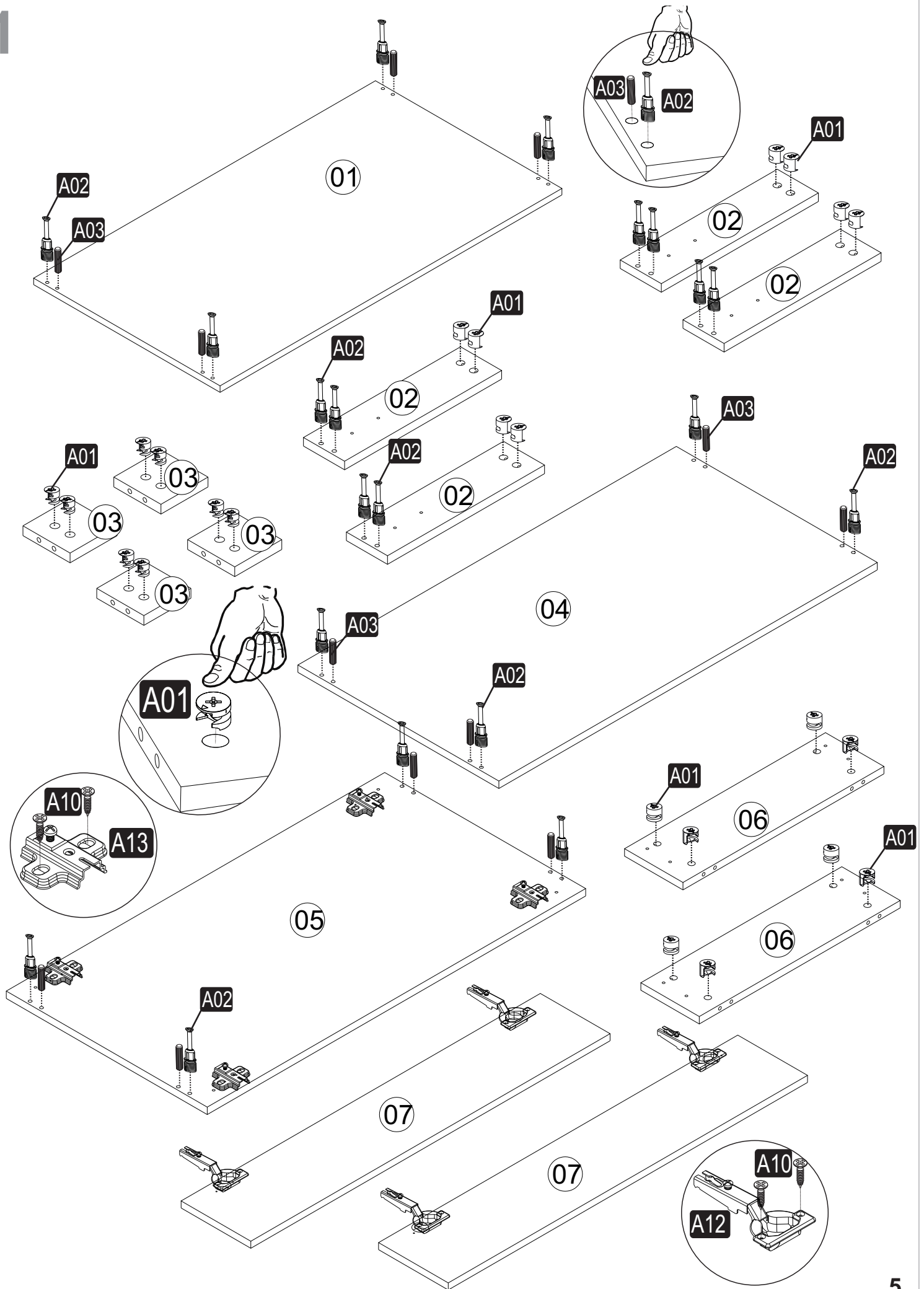
ACCESSORY LIST

A01  24x	A02  24x	A03  8x	A13 MA  4x	A12 DM  4x
A29 3,5x30 YHB  12x	A10 3,5x18 YHB  16x	A04  A 24x	A16  A 12x	

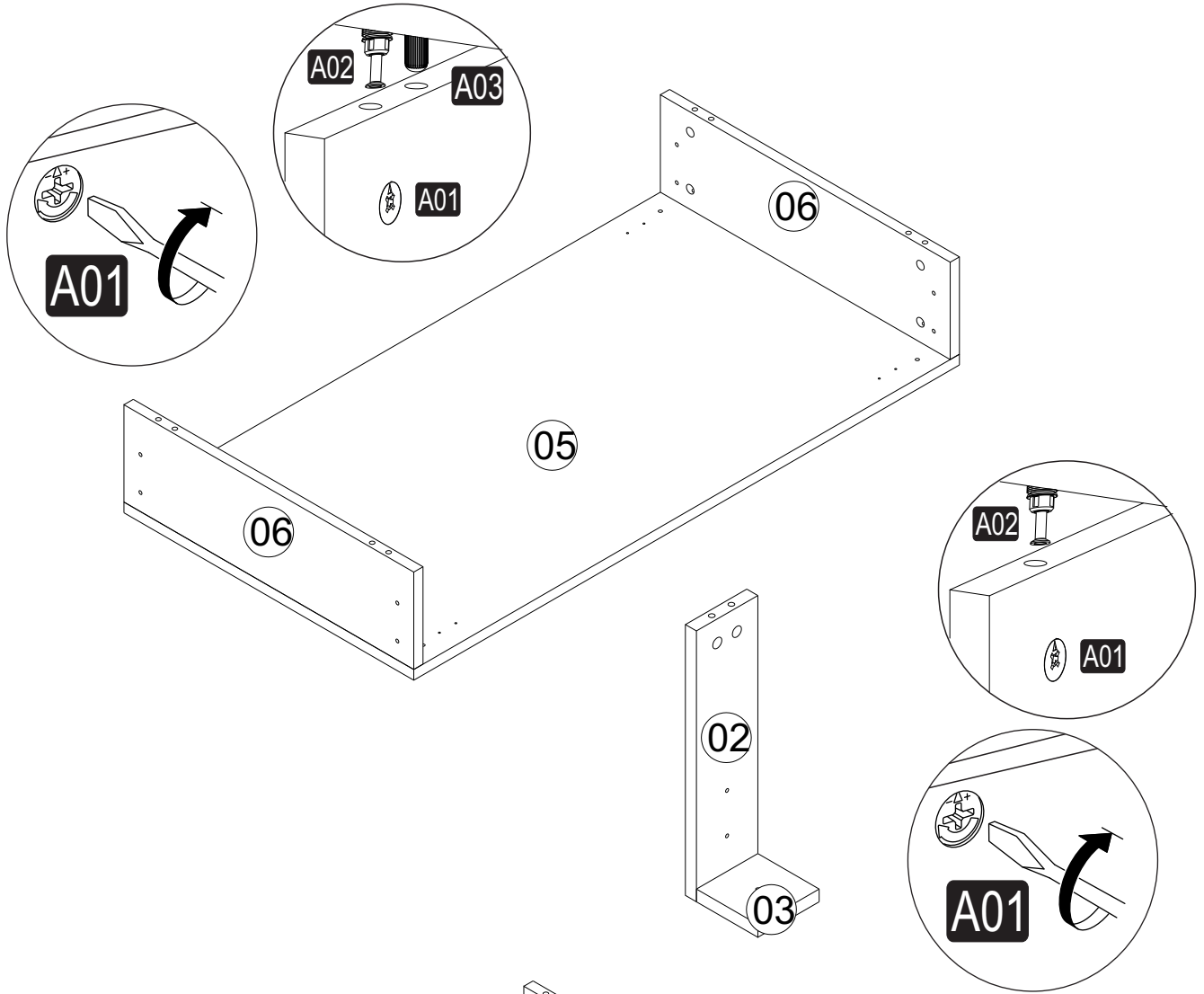
GENERAL VIEW



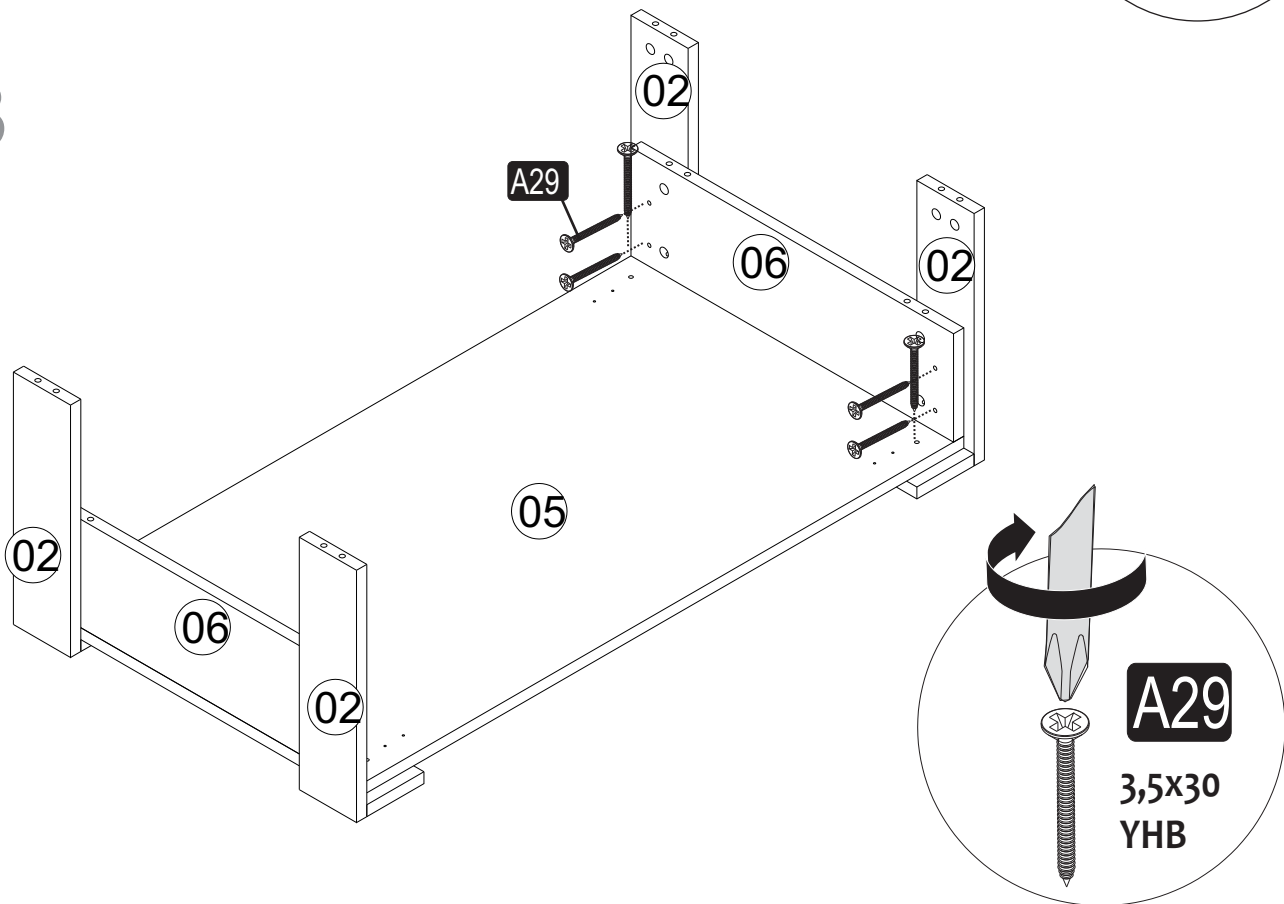
1



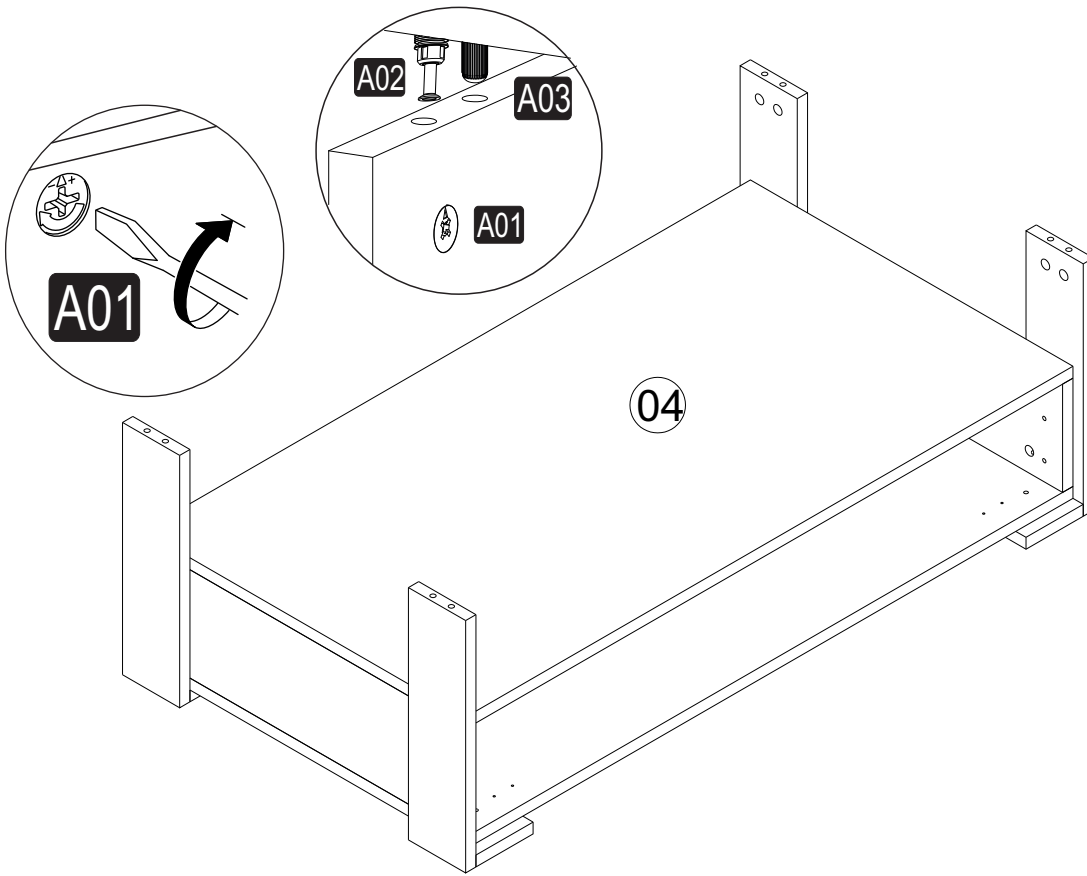
2



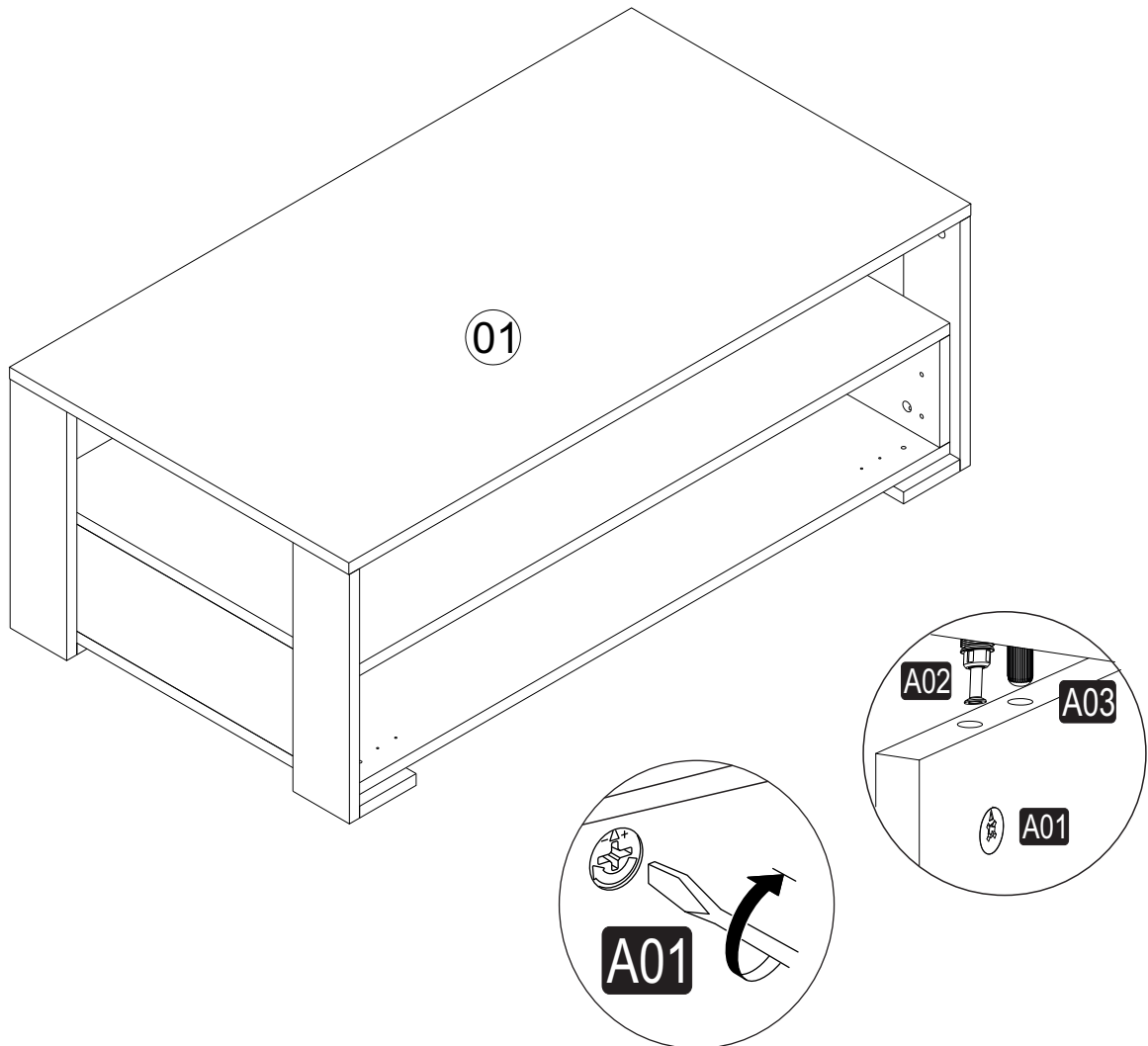
3



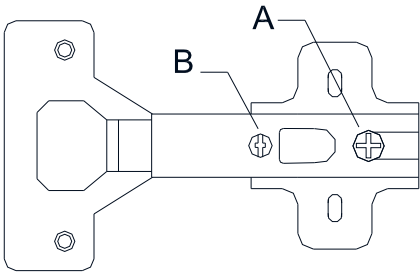
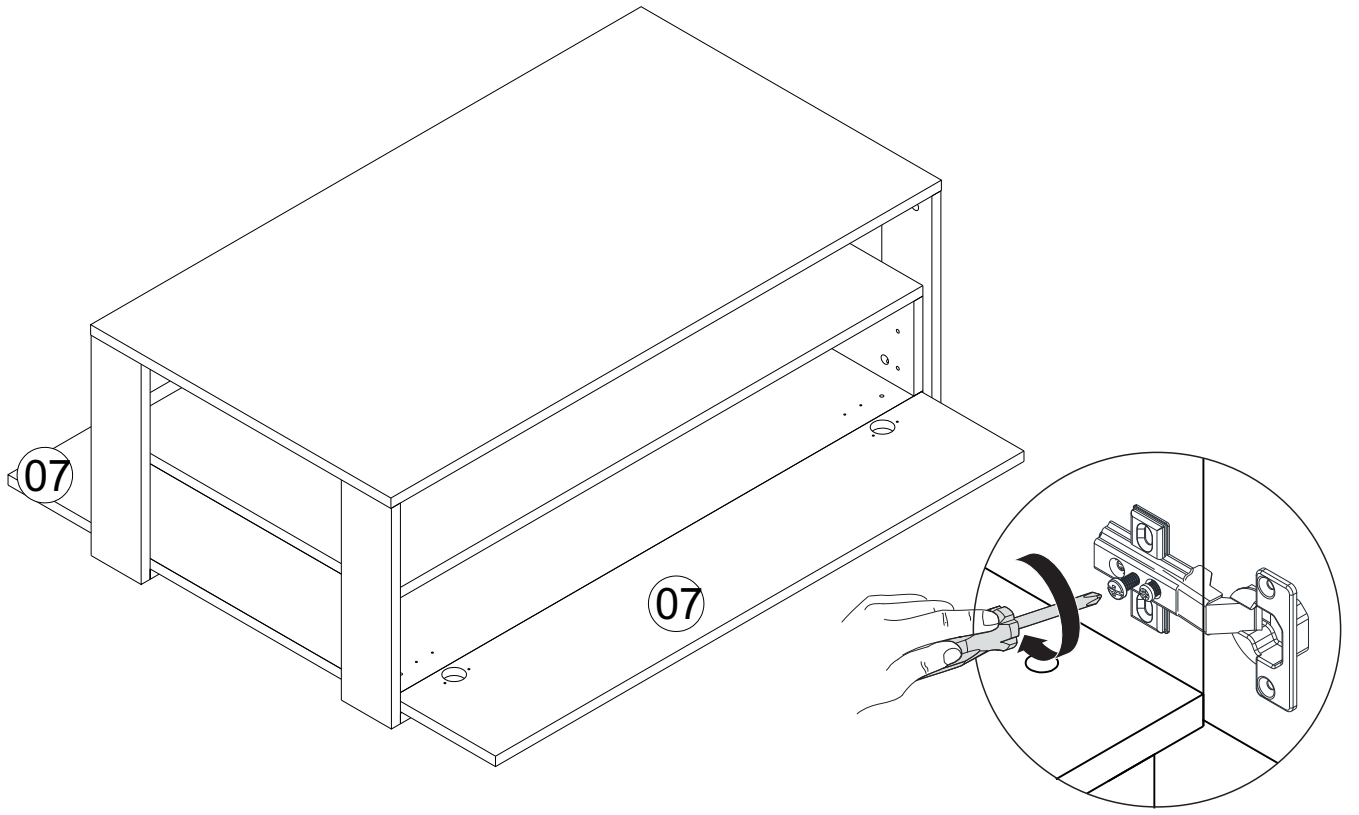
4



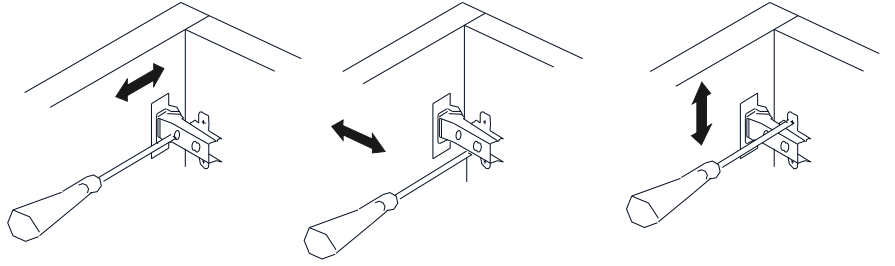
5



6



A= menteşe bağlama vidası / to connect the hinge to the door
B= kapak ayar vidası / to arrange the door



oklar kapağın ayarlama yönünü gösterir.
arrows to show the directions for arrangement of doors.

7

