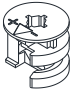
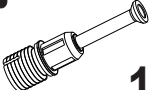


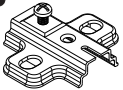

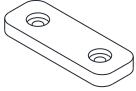


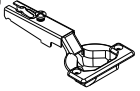

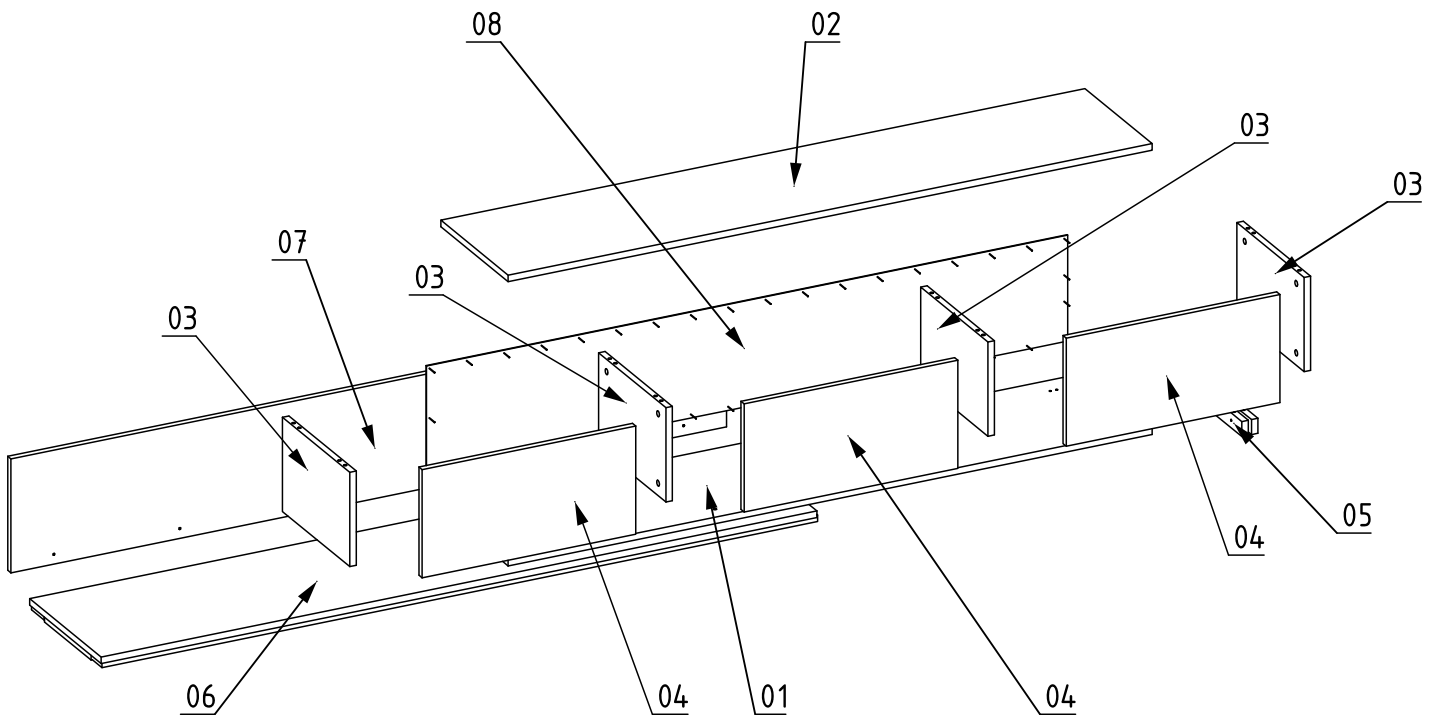


i GP042-0249,1

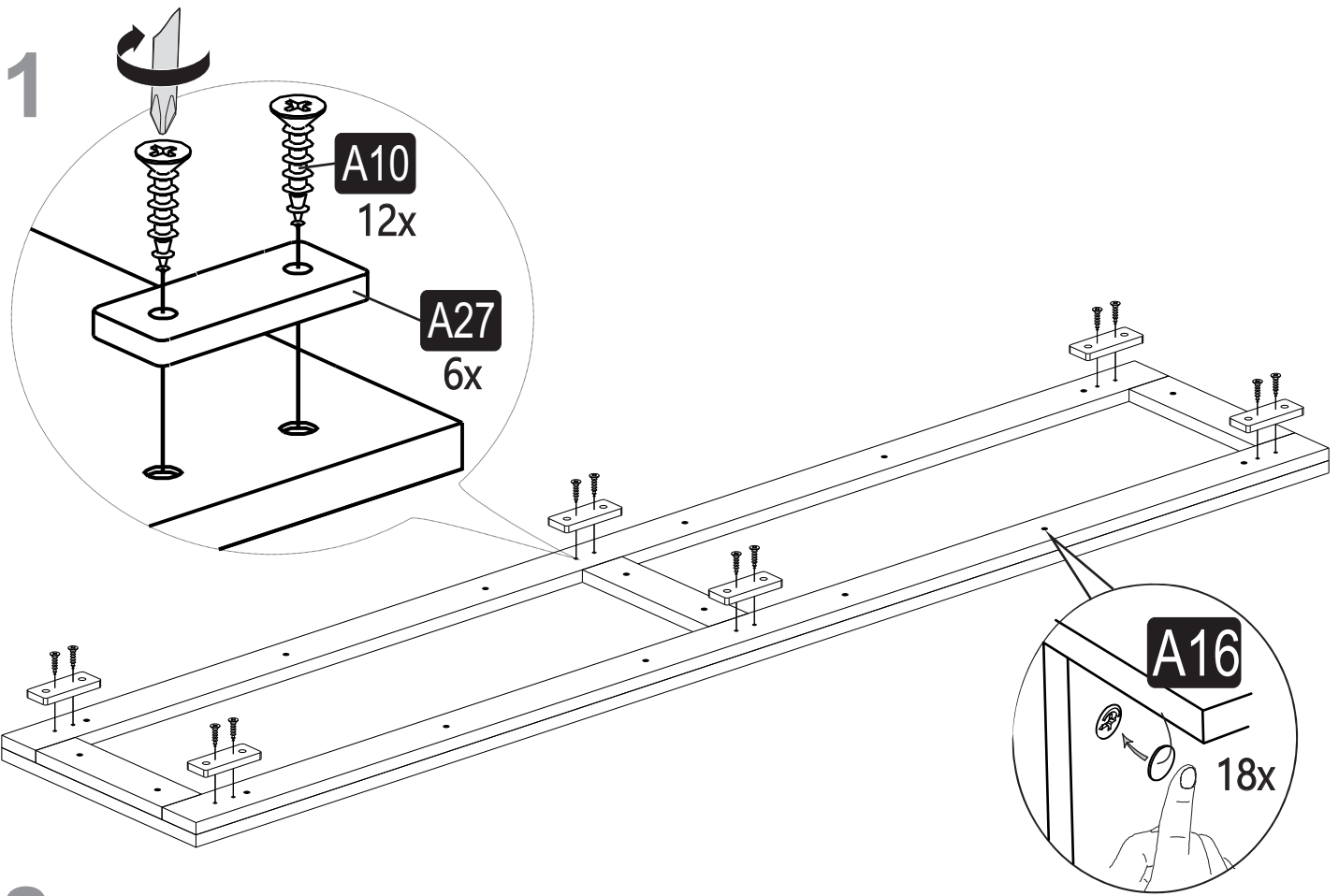


260 x 41,8 x 33,5cm

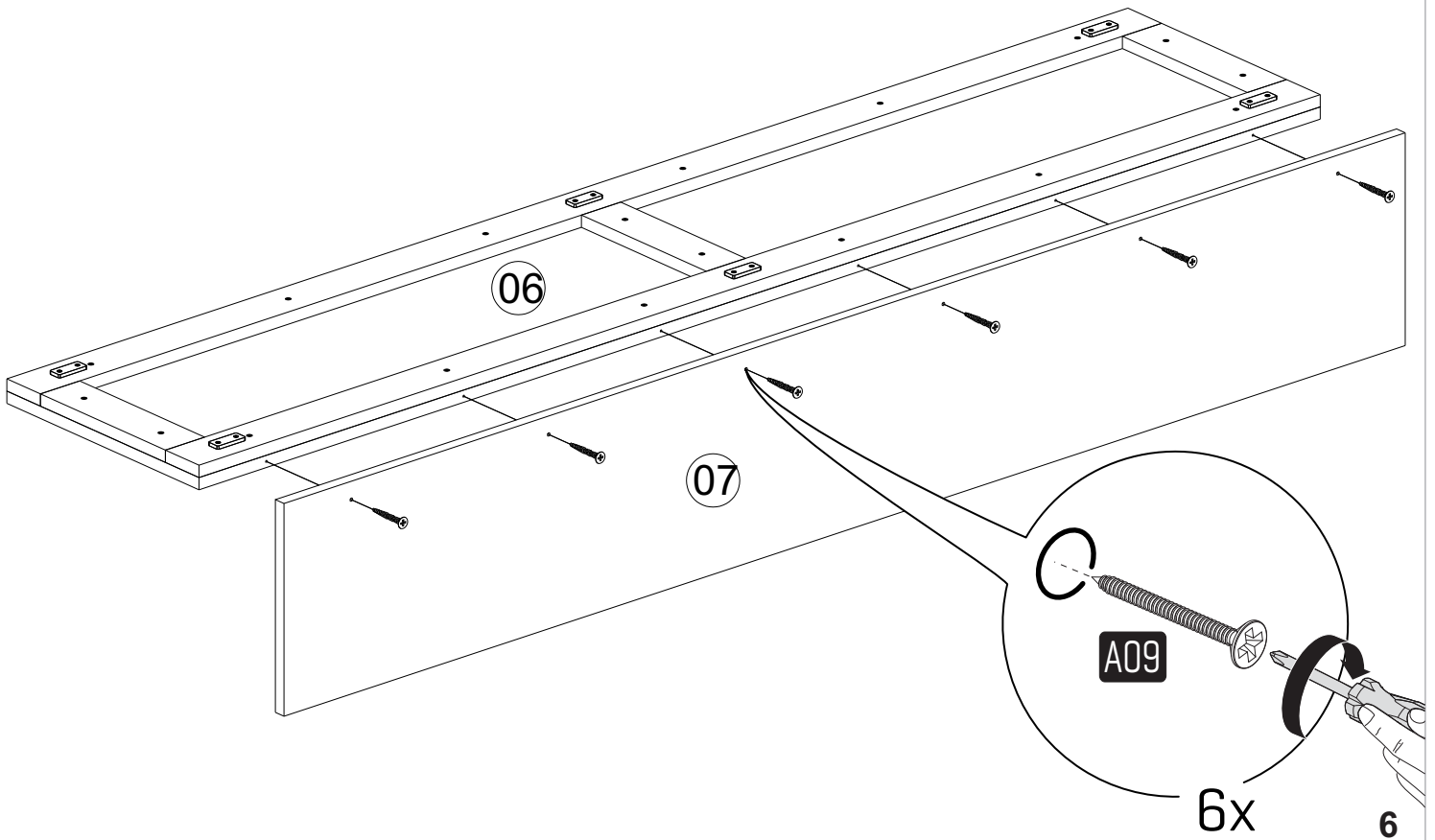
A01  16x	A02  16x	A03  16x	A28  39x	A13  6x
A04  D 16x	A27  6x	A09  4x50 10x	A16  A 24x D 4x	A12  6x
A10 3,5x18  36x				



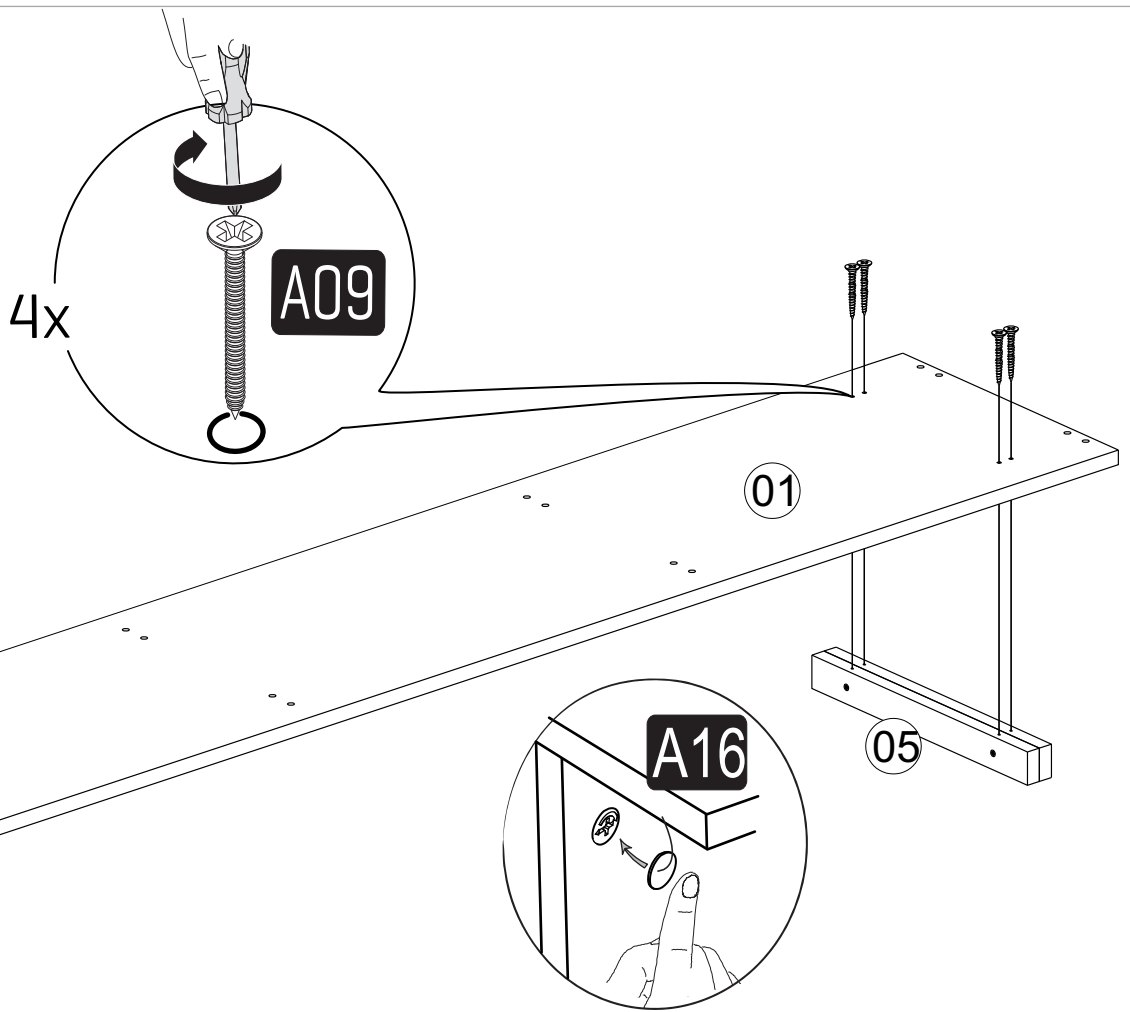
1



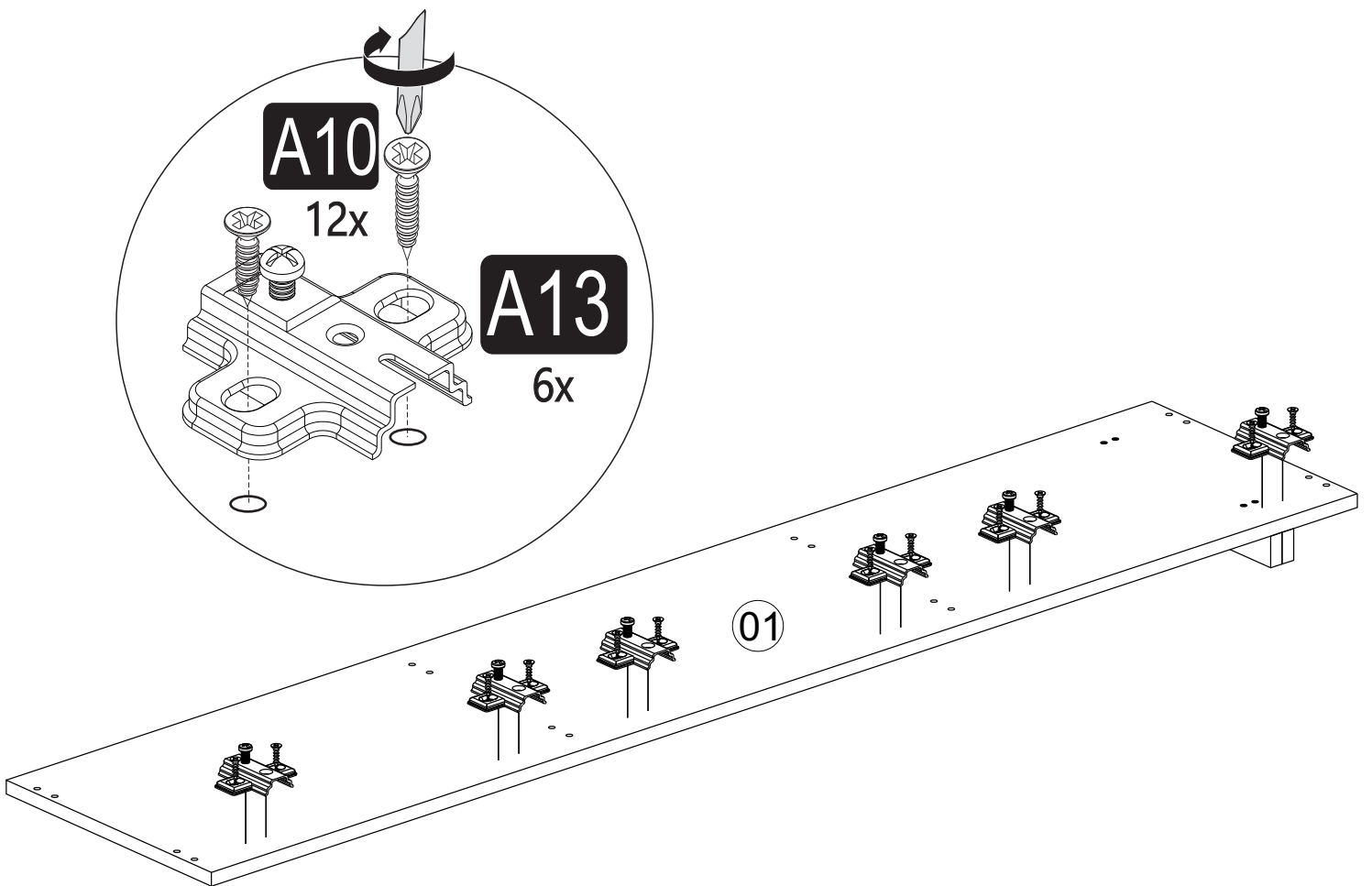
2



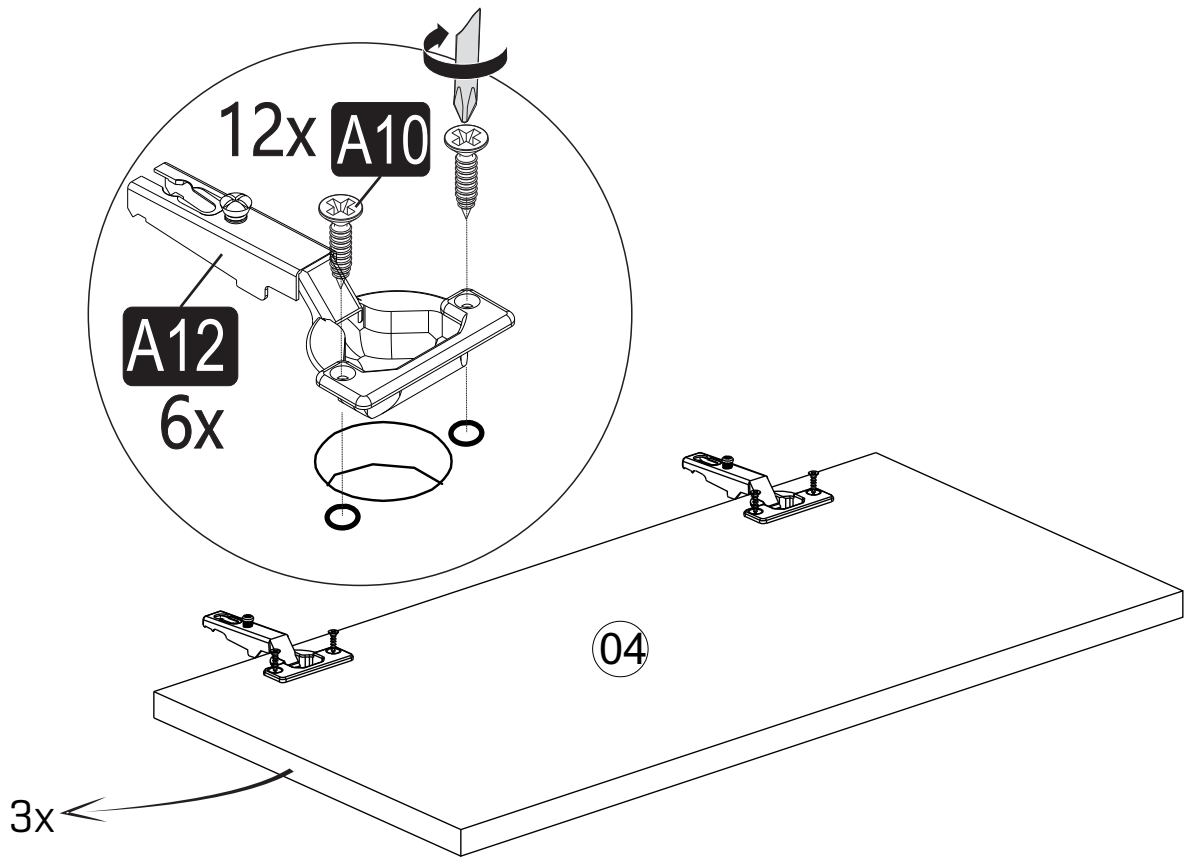
3



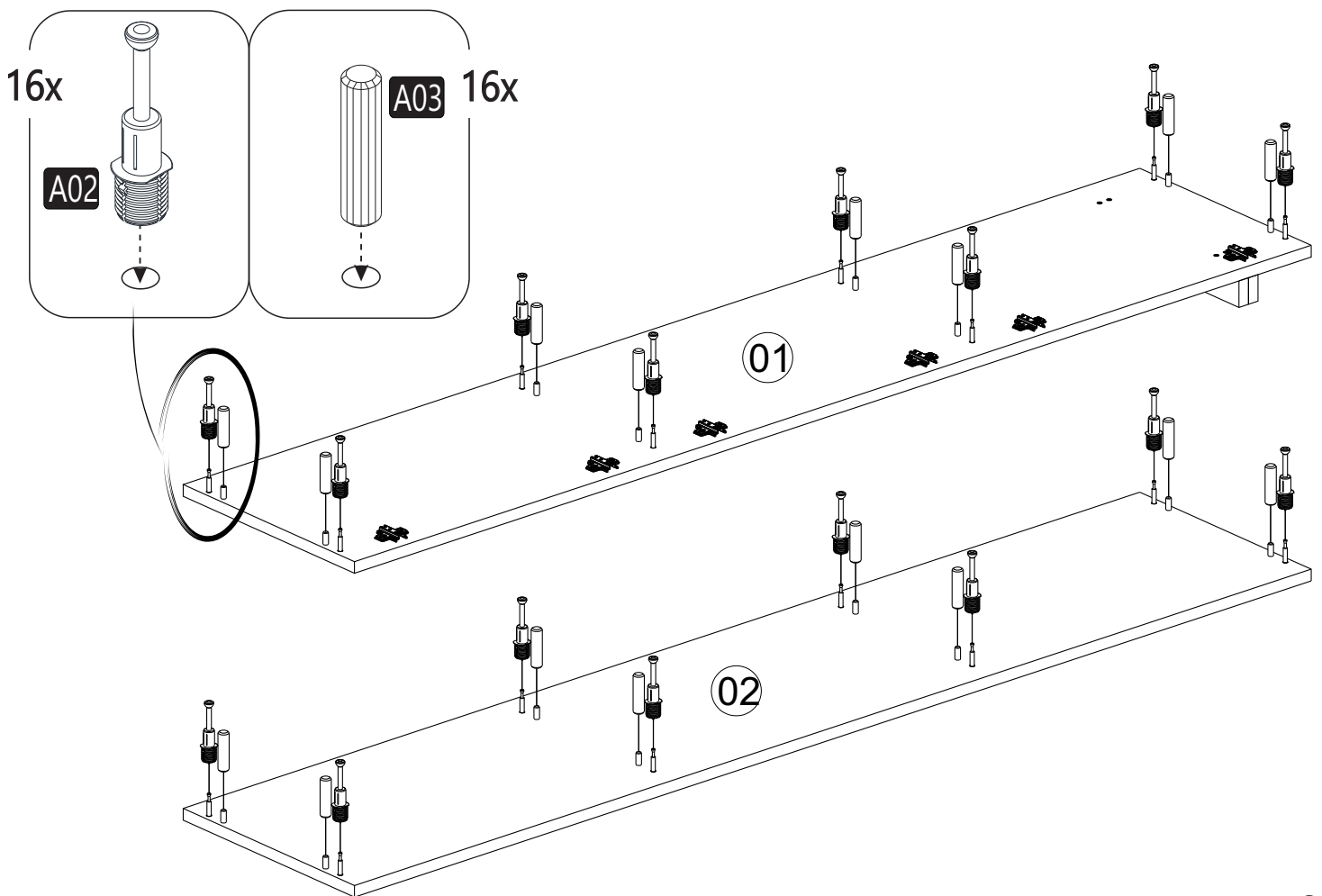
4



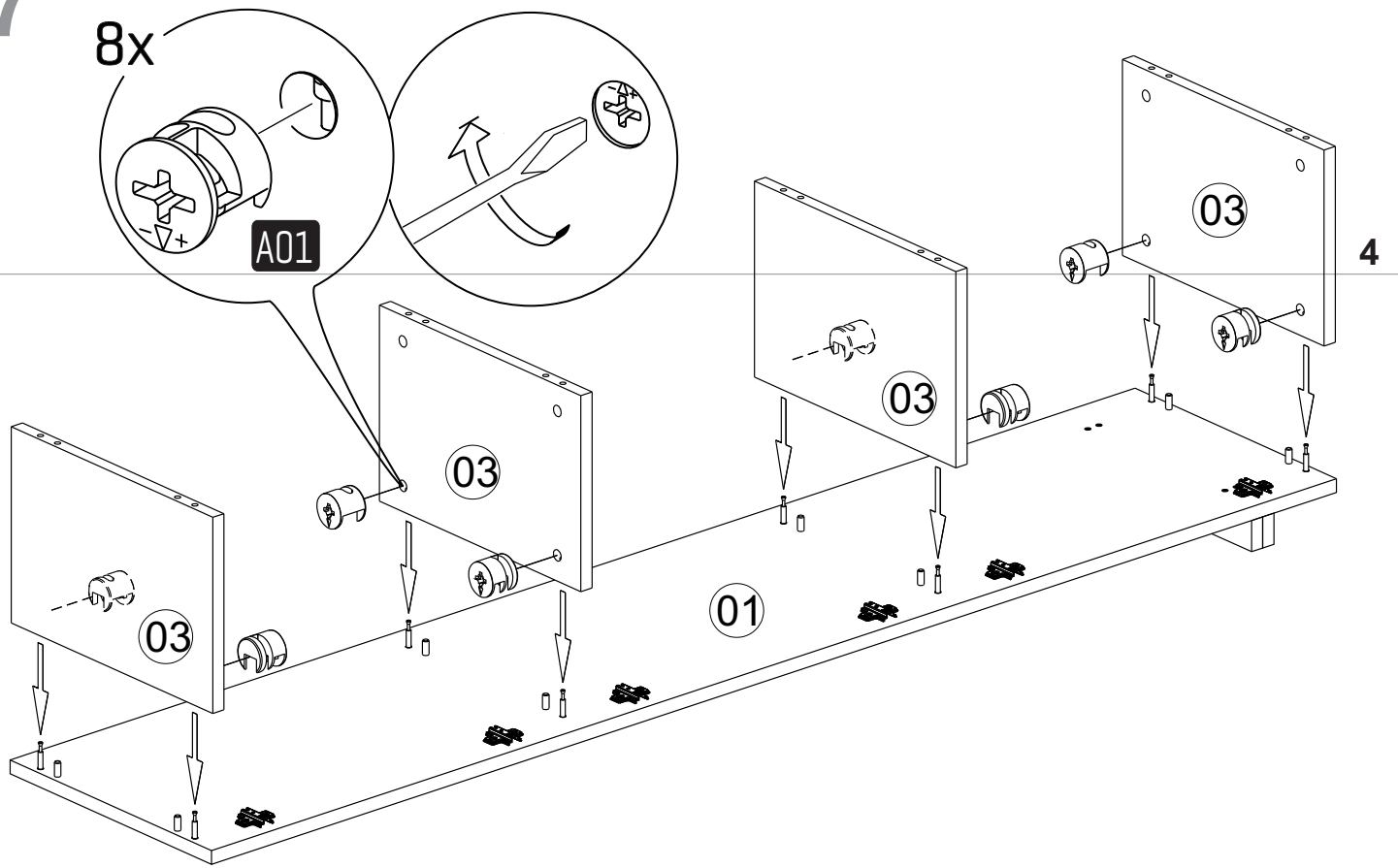
5



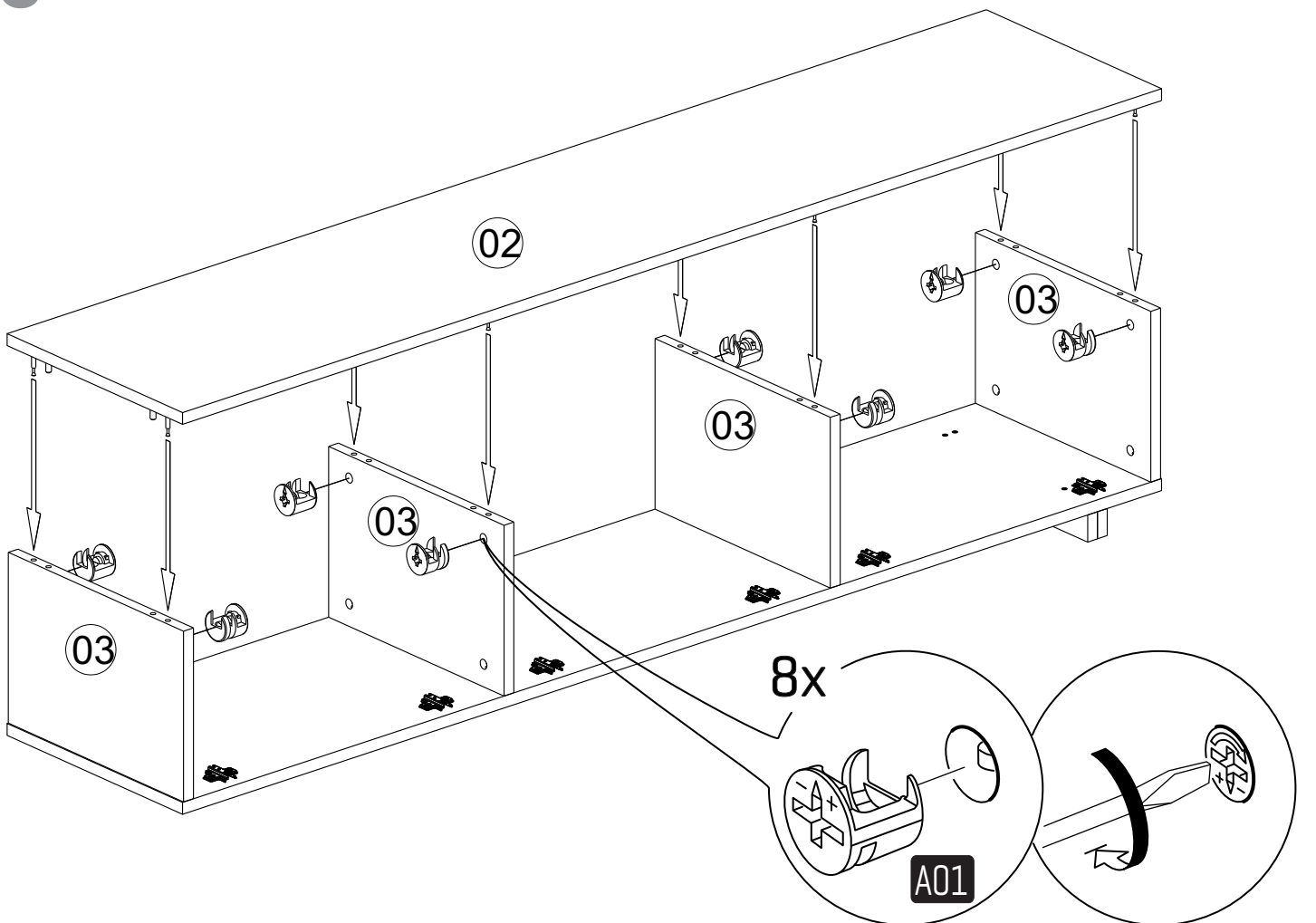
6



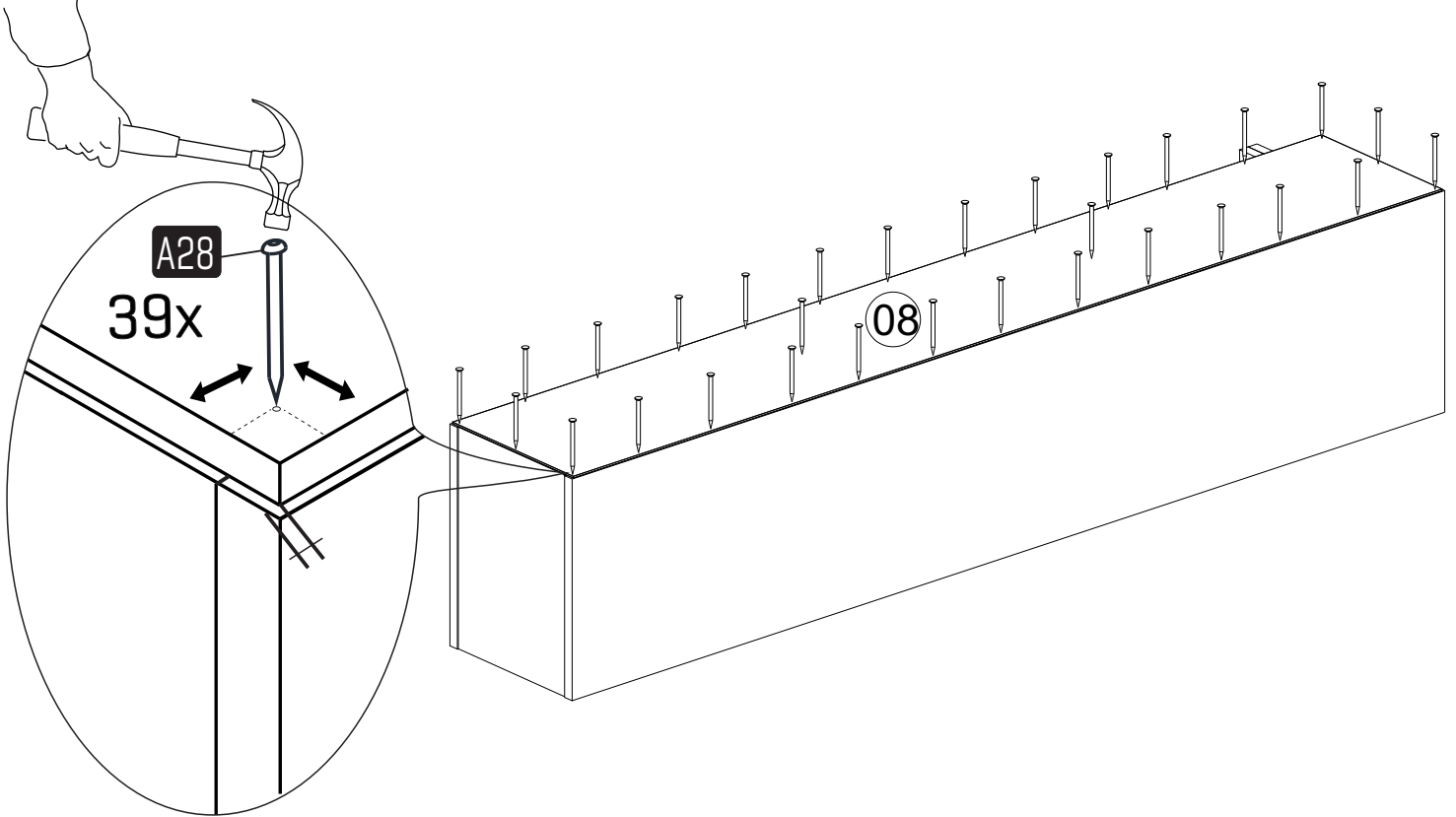
7



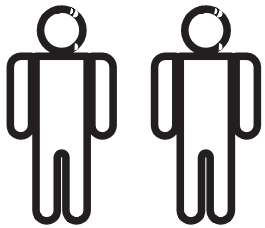
8



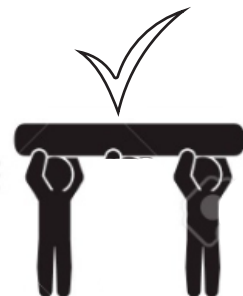
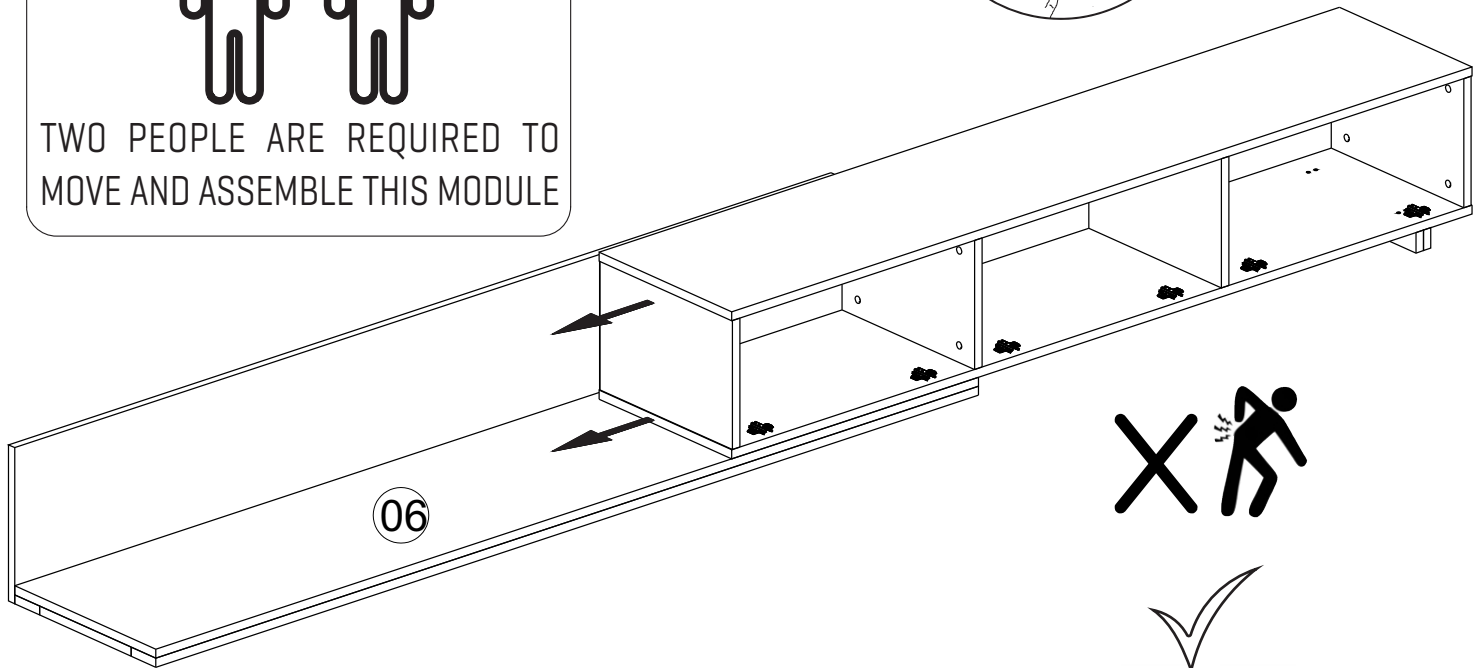
9



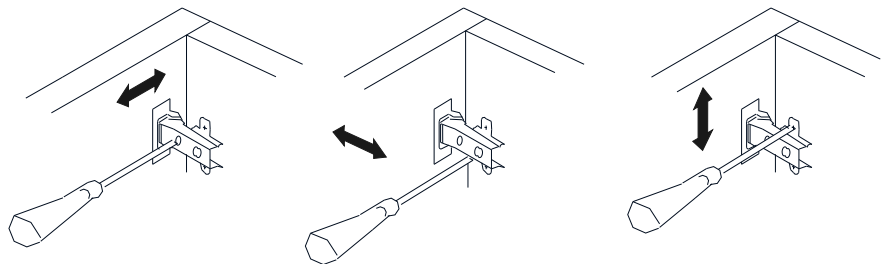
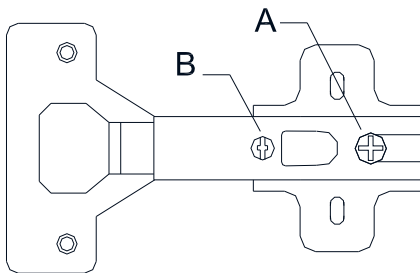
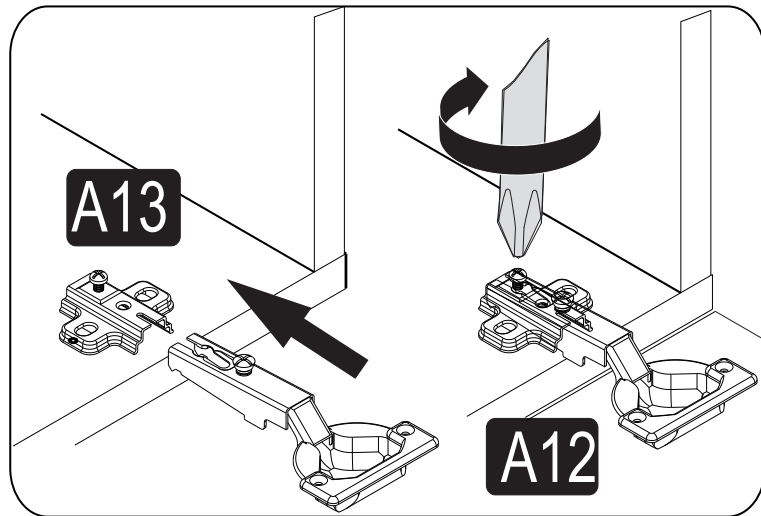
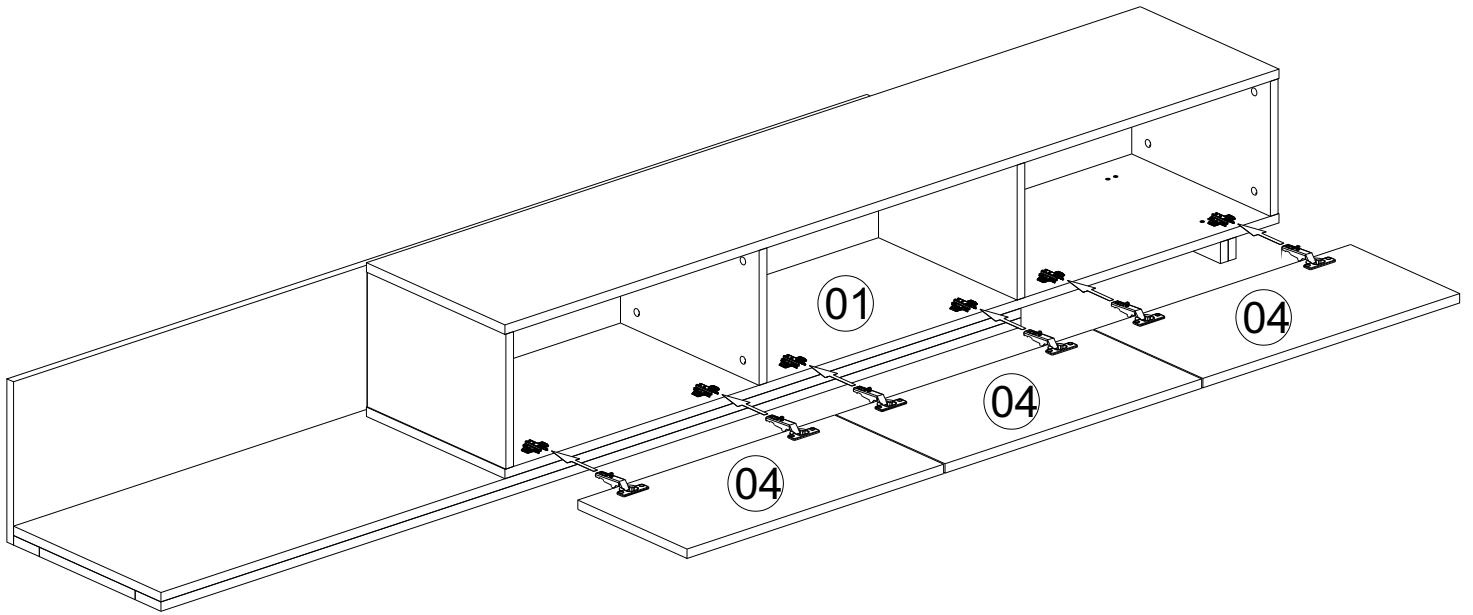
10



TWO PEOPLE ARE REQUIRED TO MOVE AND ASSEMBLE THIS MODULE



11



A= to connect the hinge to the door
 B= to arrange the door

arrows to show the directions for arrangement of doors.

12

