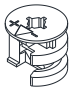
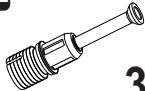


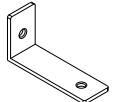


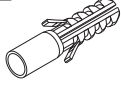
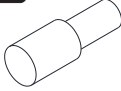

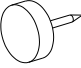
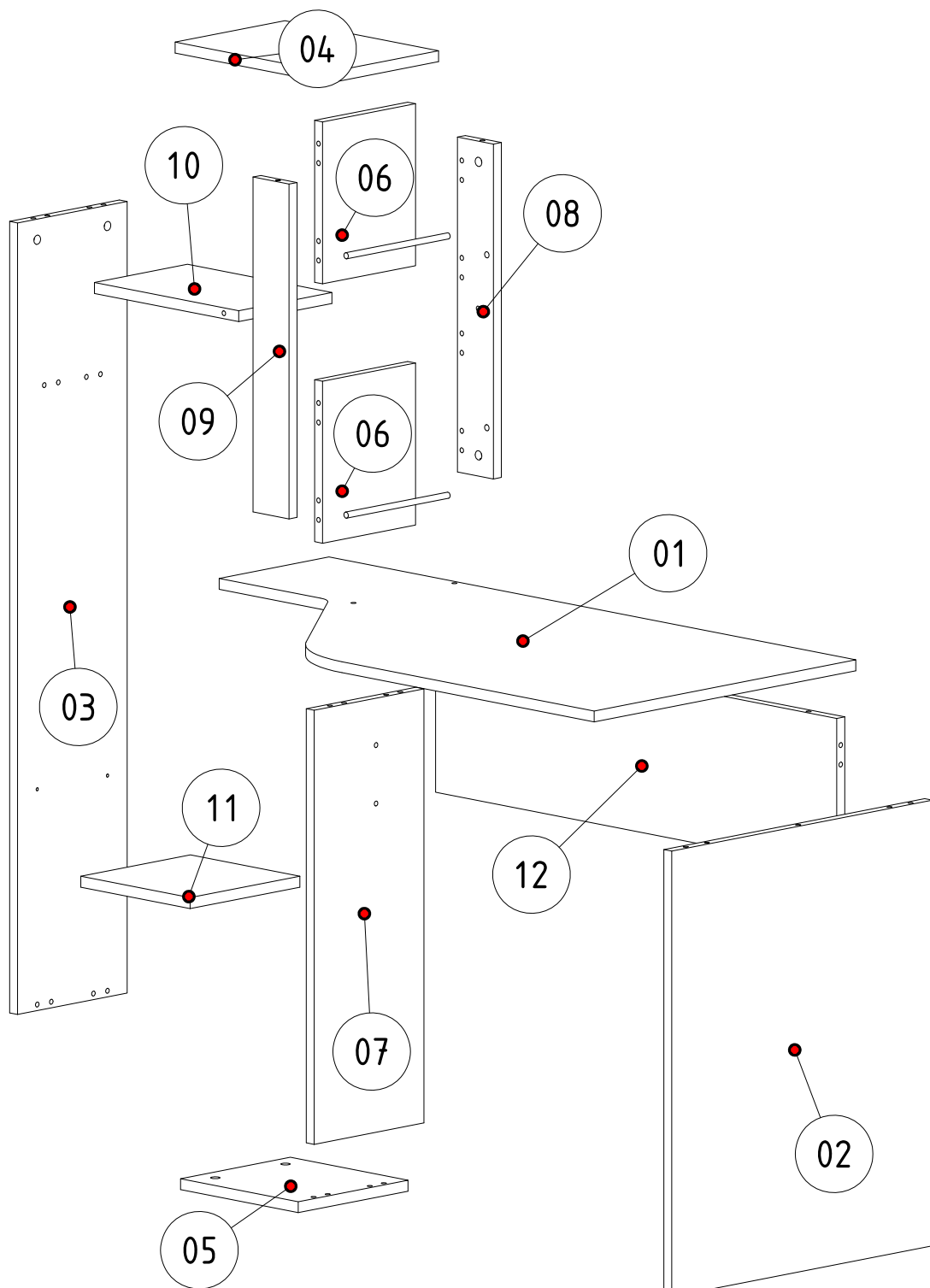


i GP042-0313,1

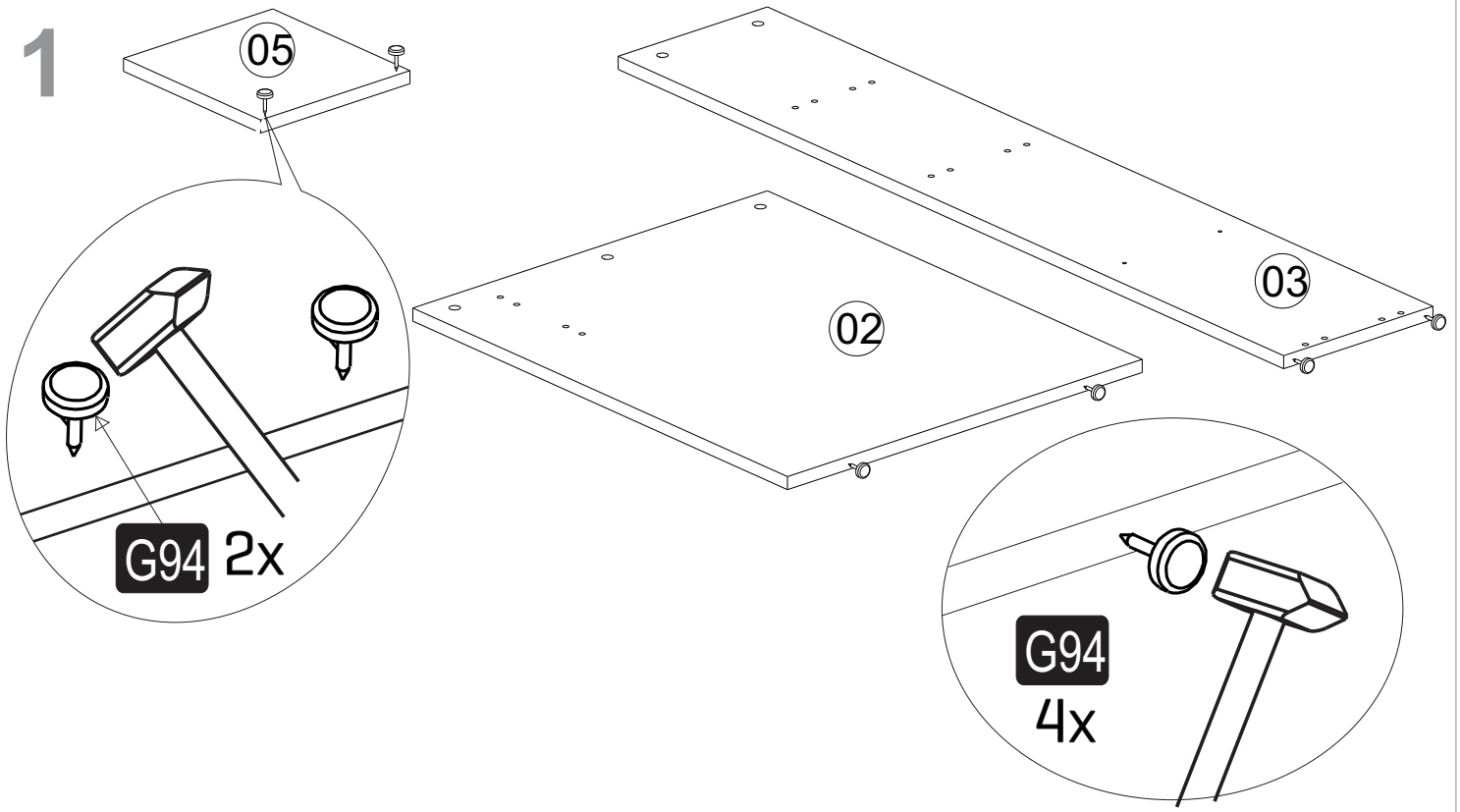


121,8 x 59,6 x 131,8cm

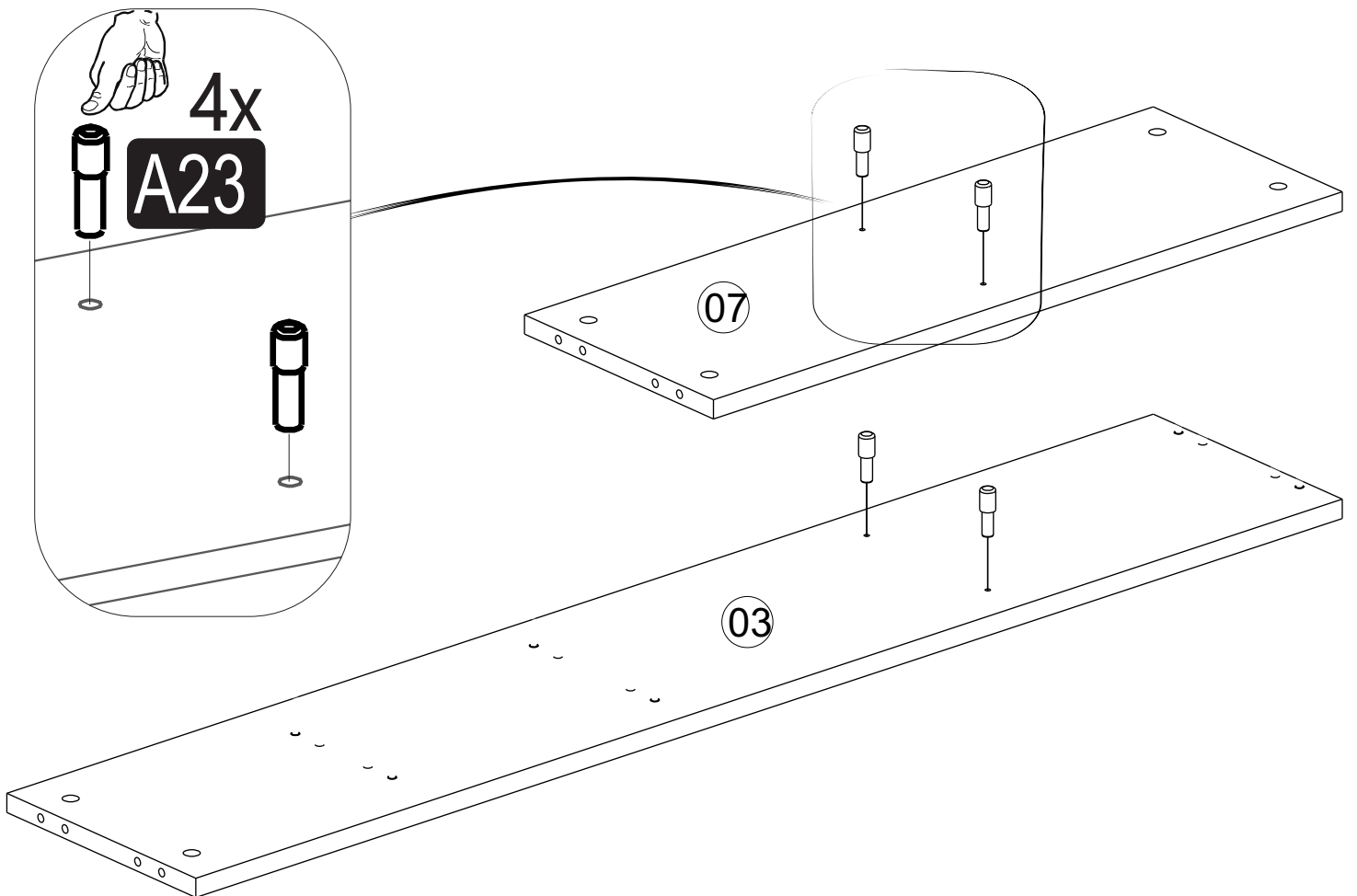
A01  36x	A02  36x	A03  26x	A04  A 9x D 27x	E17  1x
A58 10 mm (Yvl)  227 mm 2x	A10 3,5x18  1x	D69 Ø8  1x	A23  4x	D41 5x70 YHB  1x
G94  Ø14 BYZ 6x				



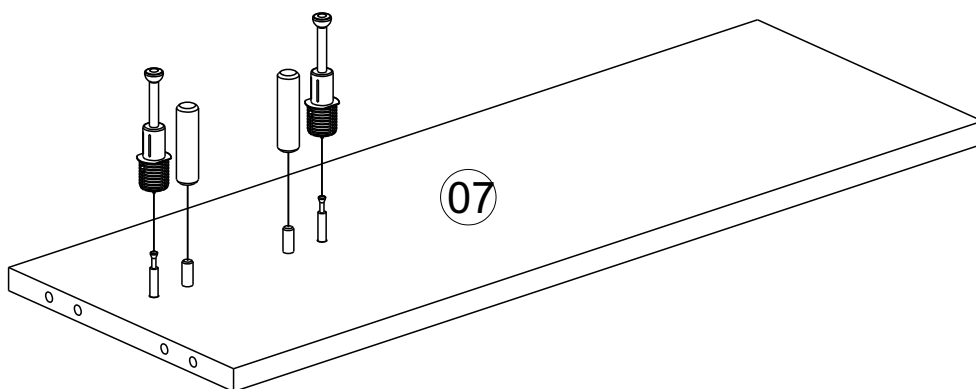
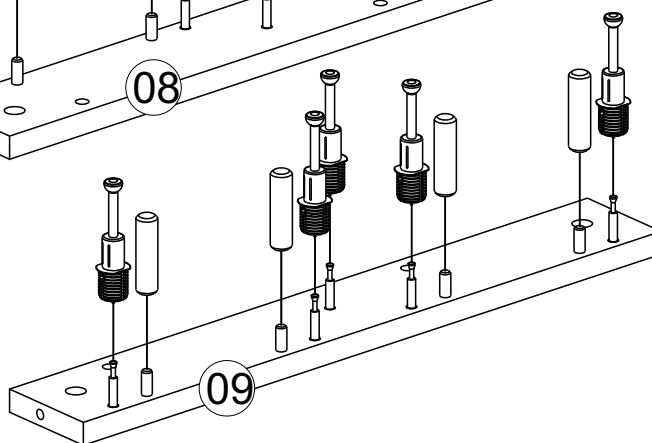
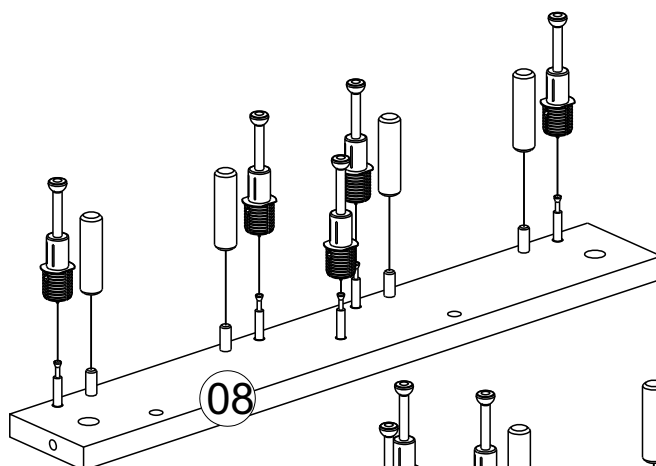
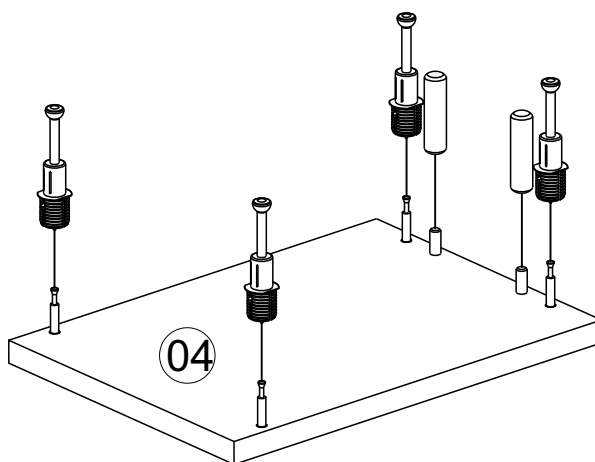
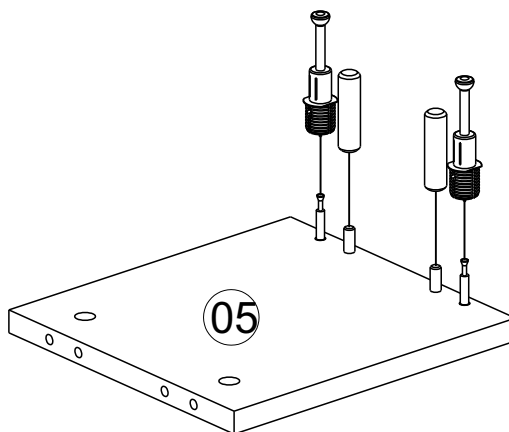
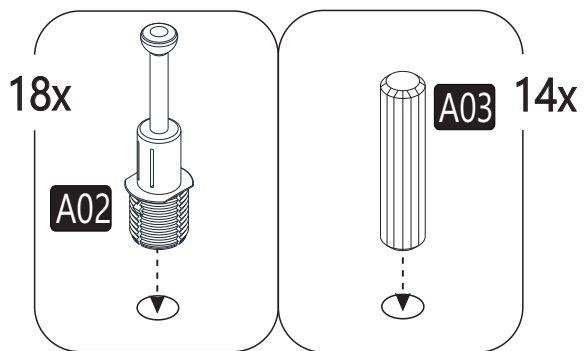
1



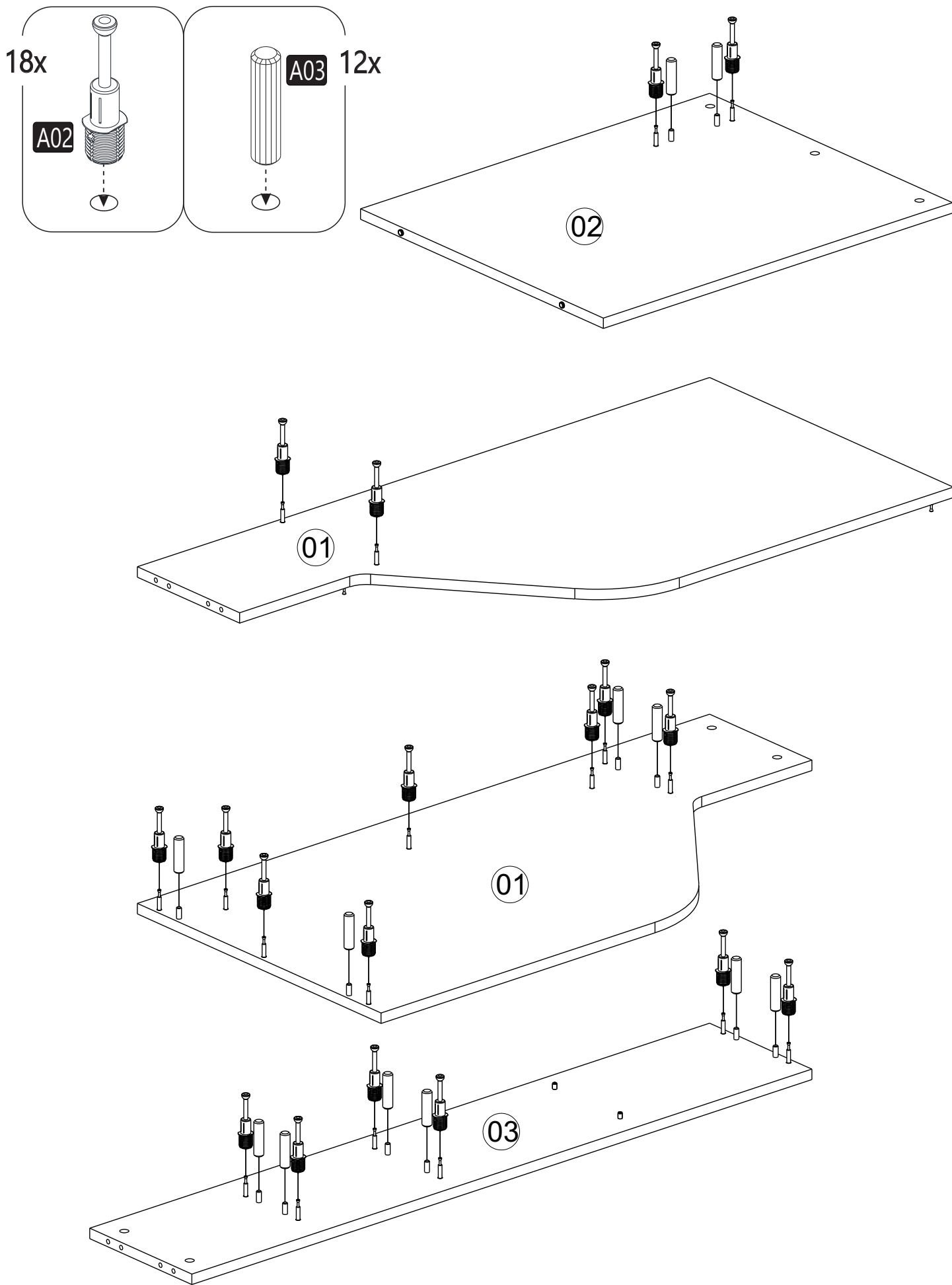
2



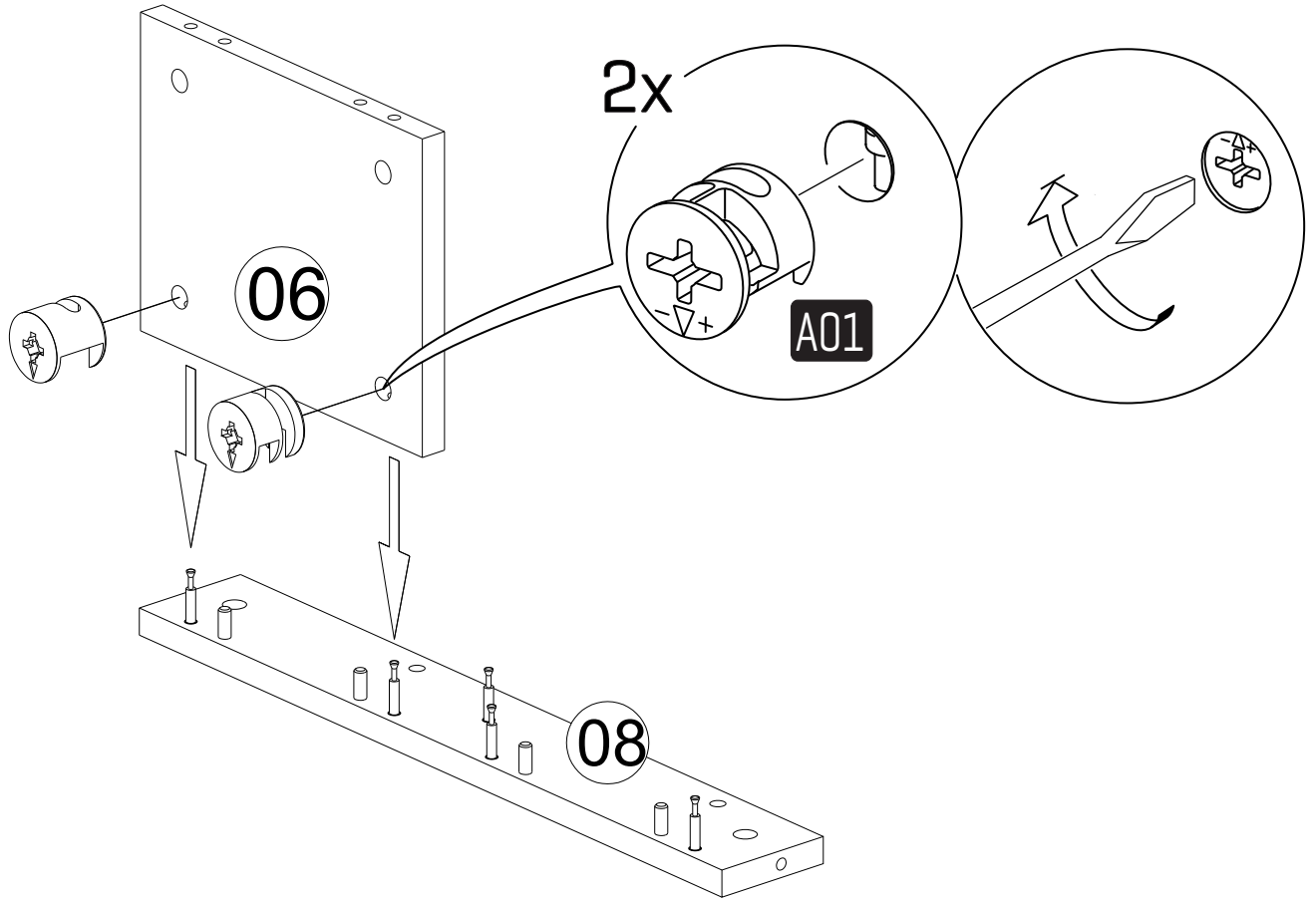
3



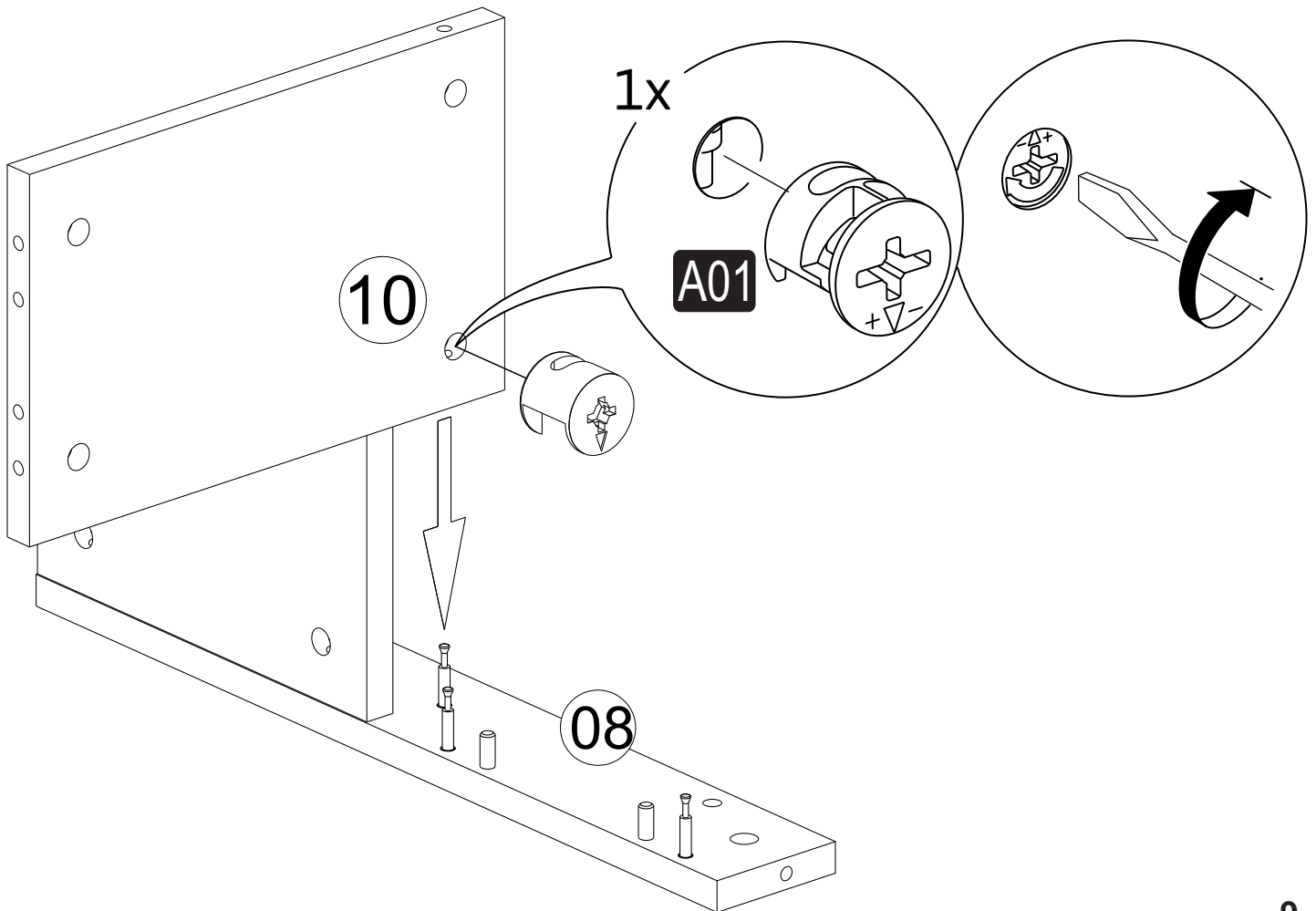
4



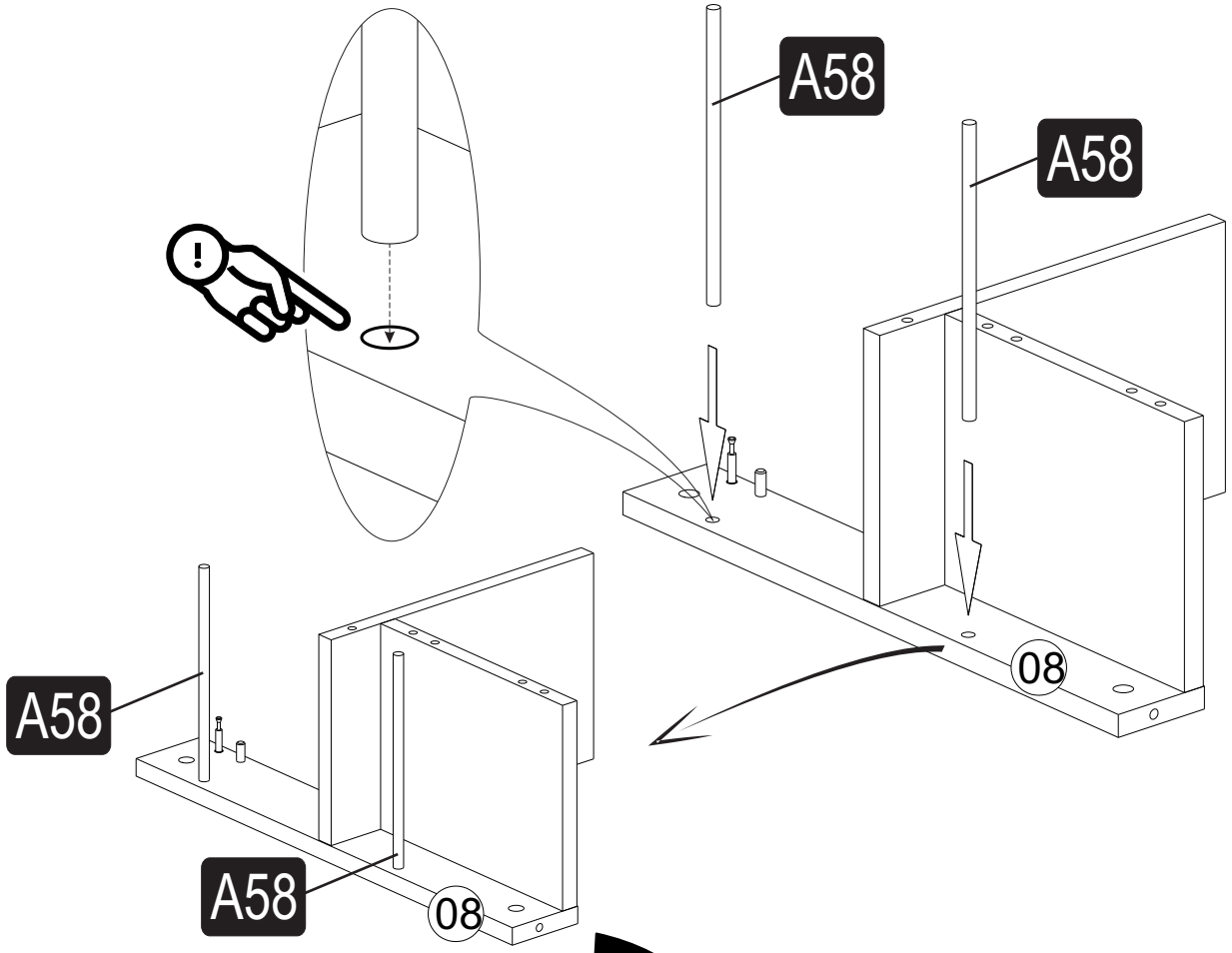
5



6

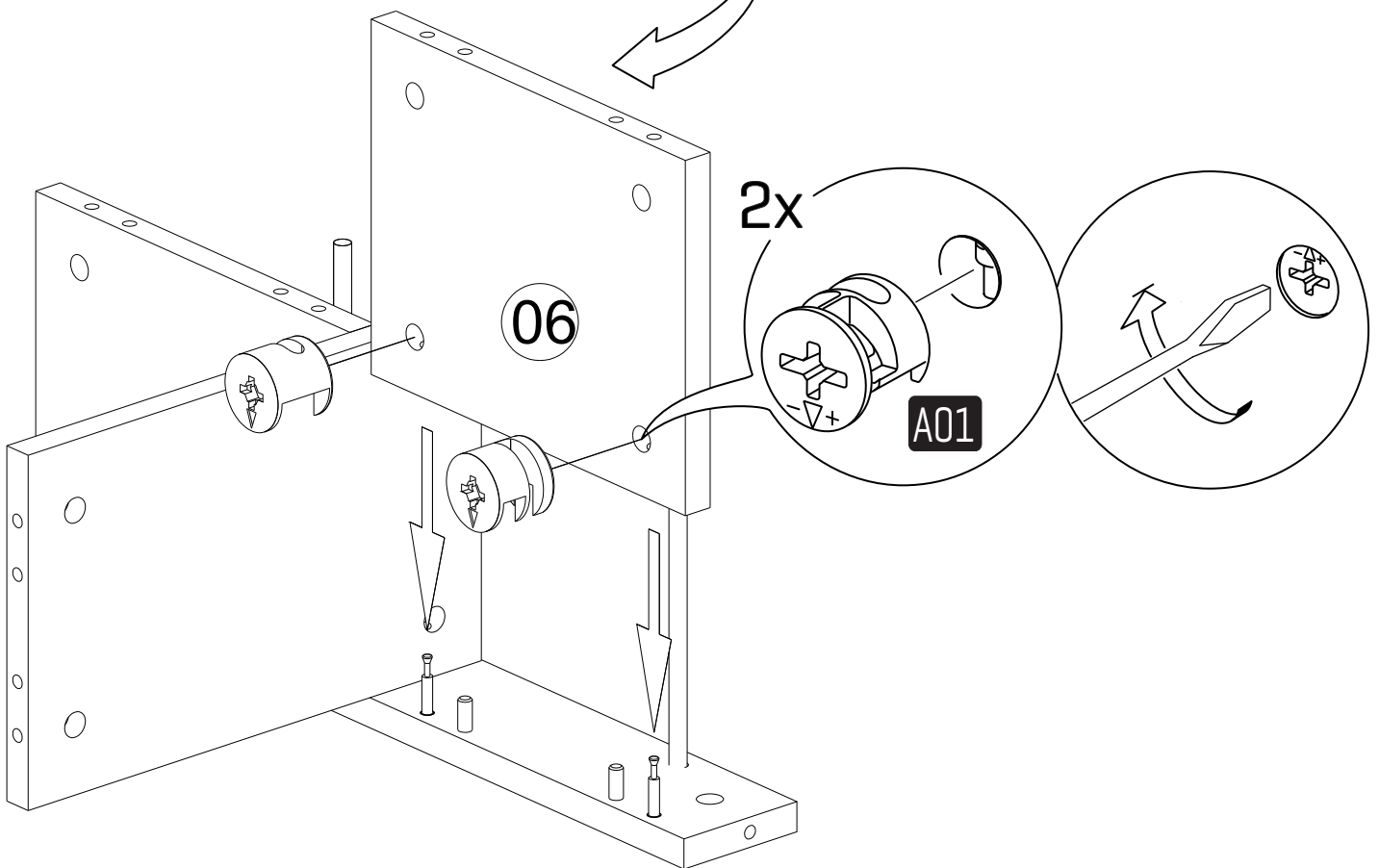


7

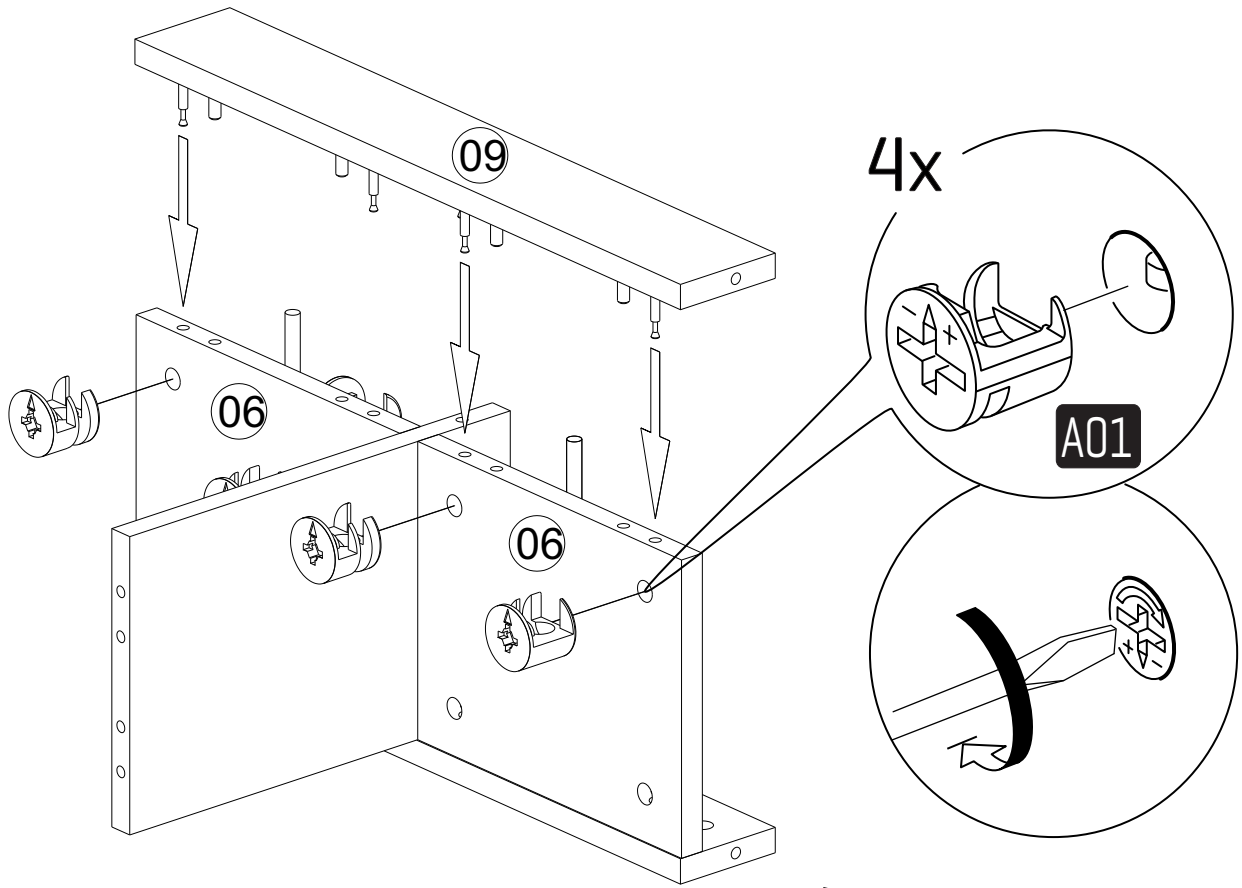


8

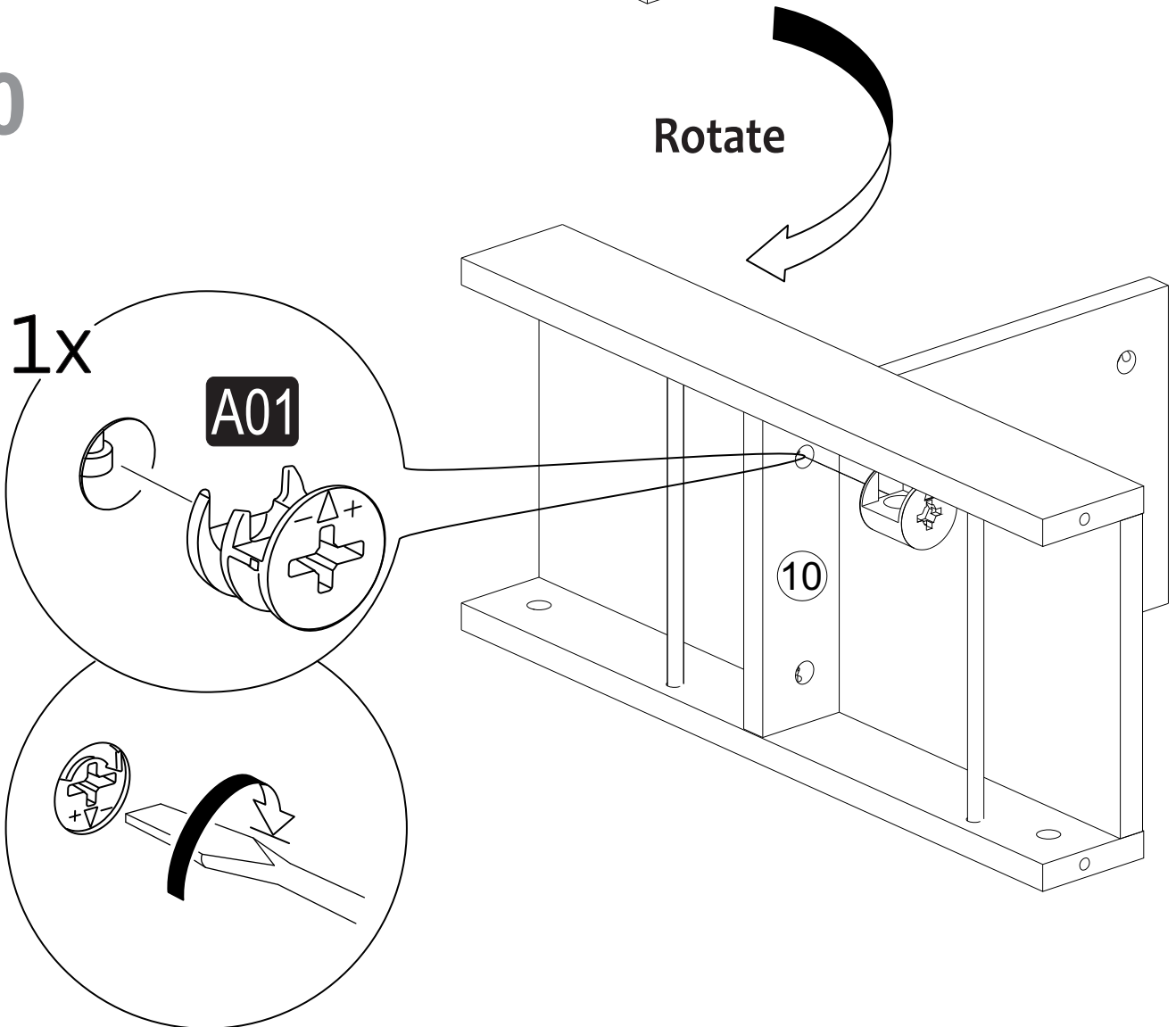
Rotate



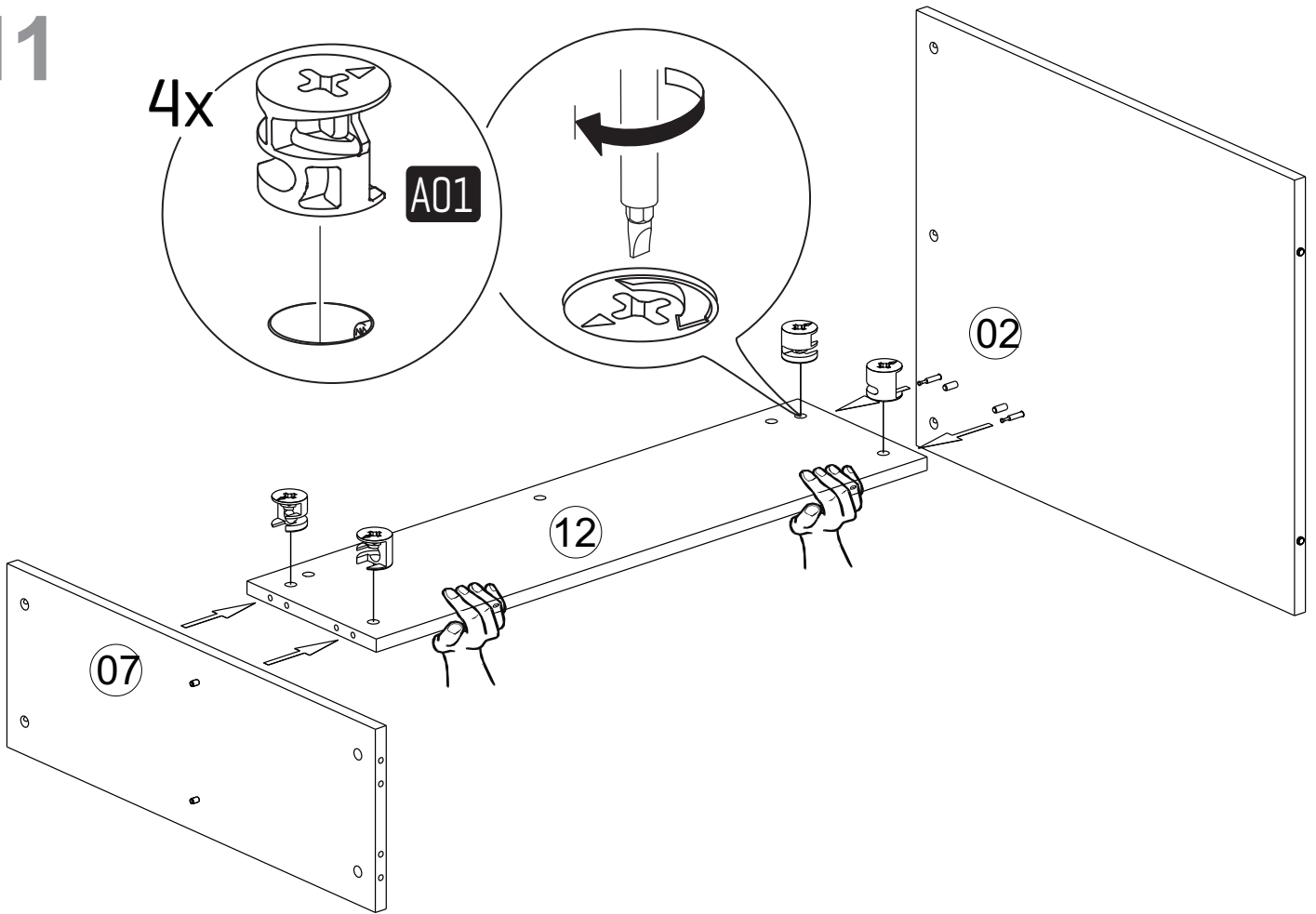
9



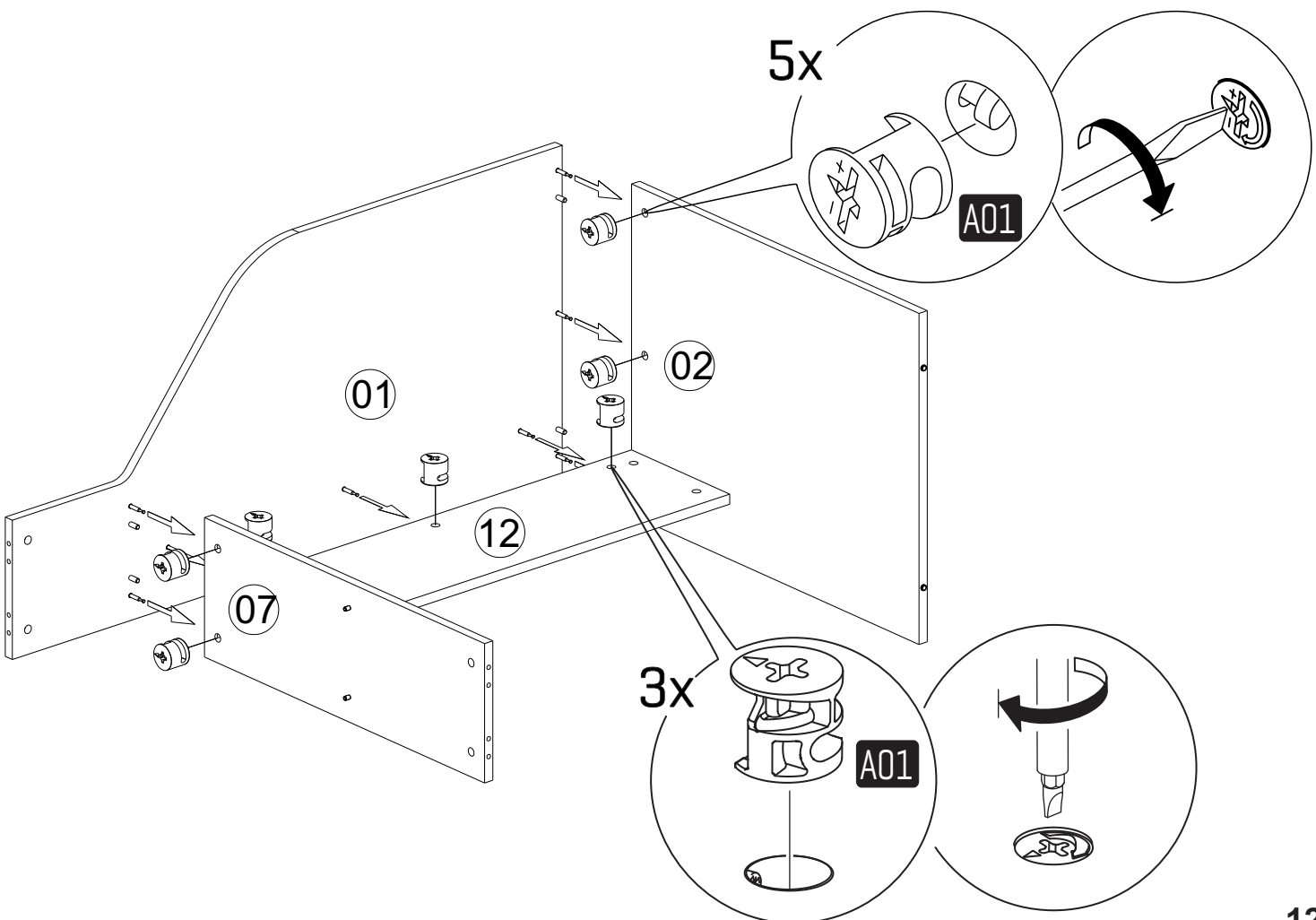
10



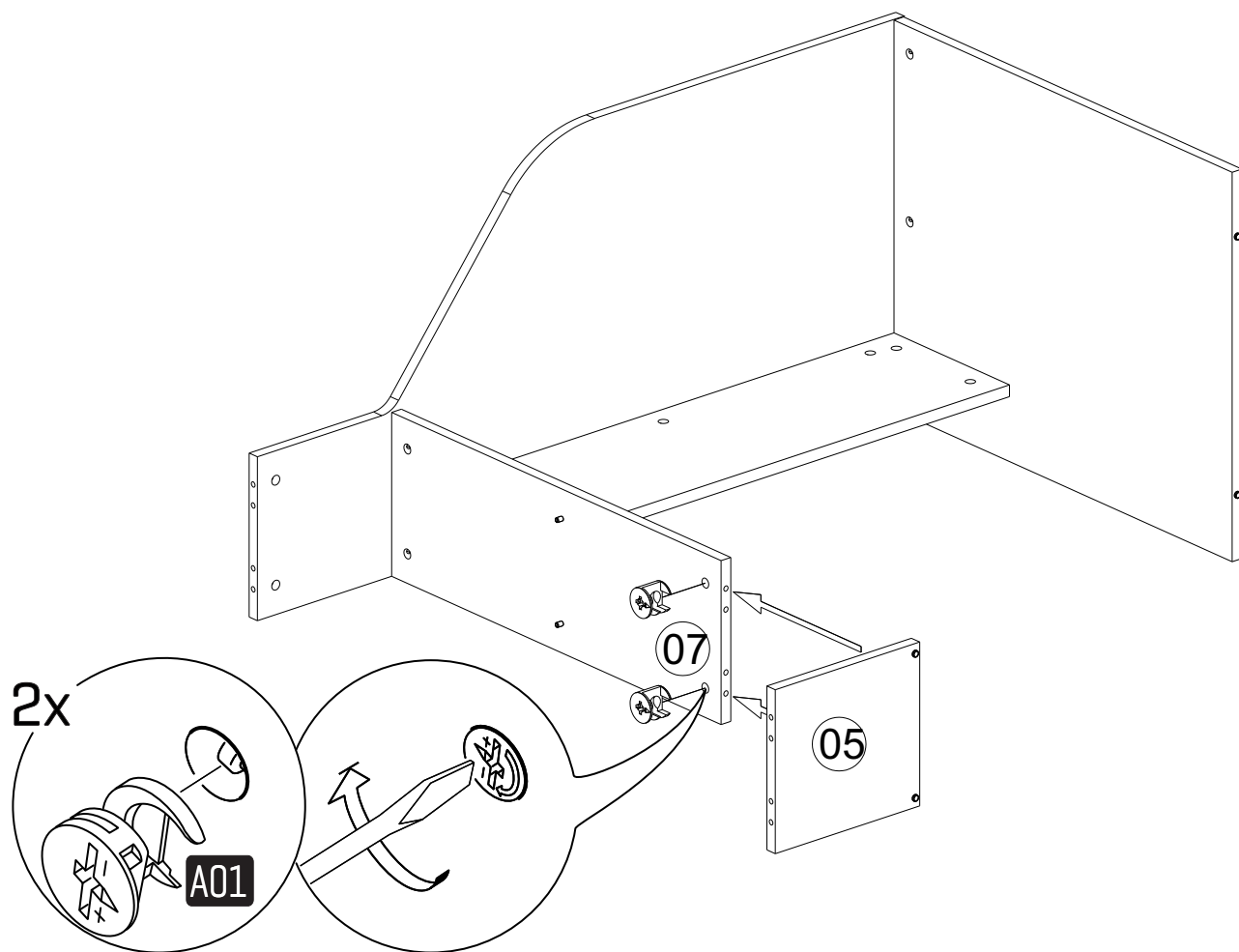
11



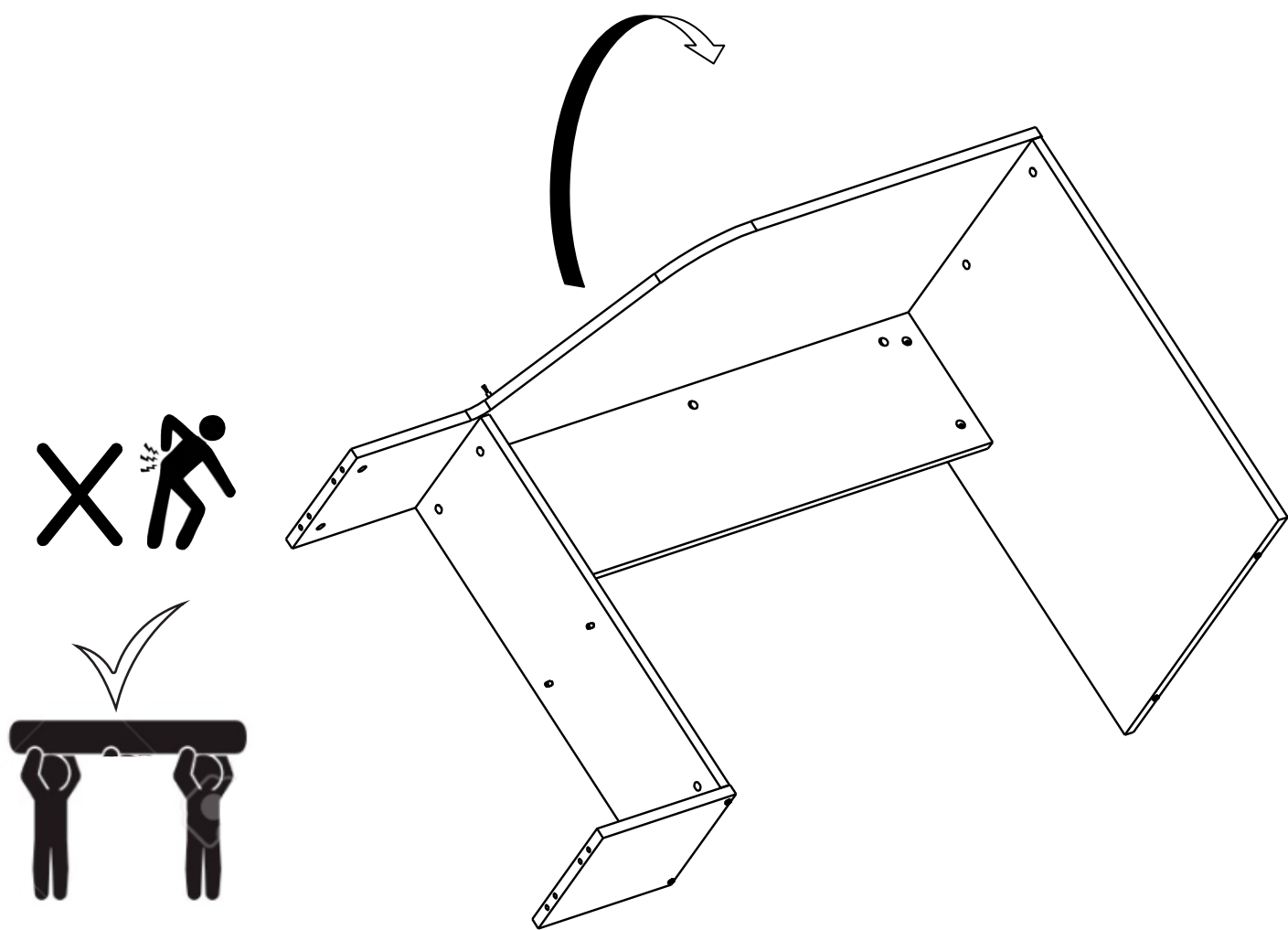
12



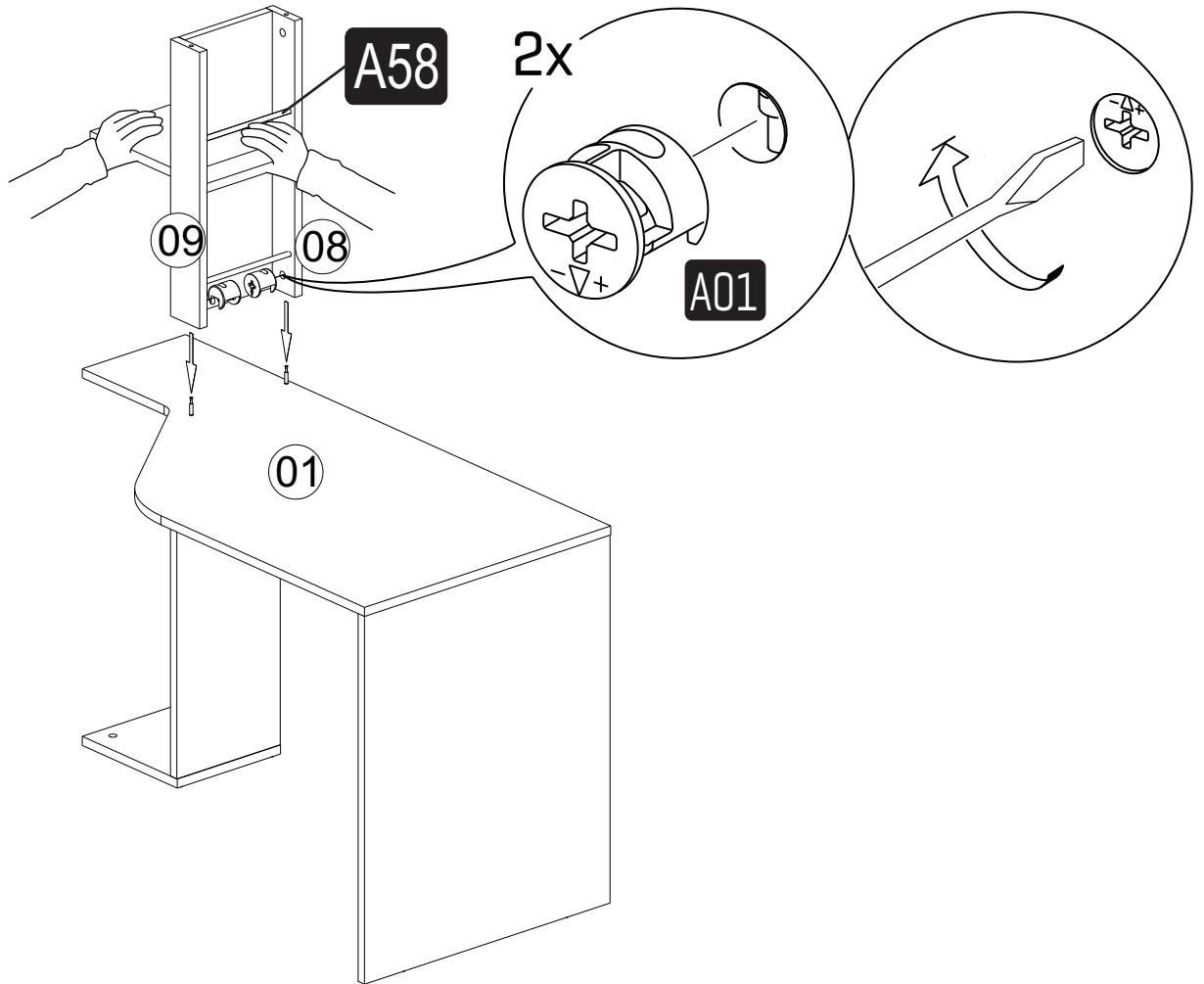
13



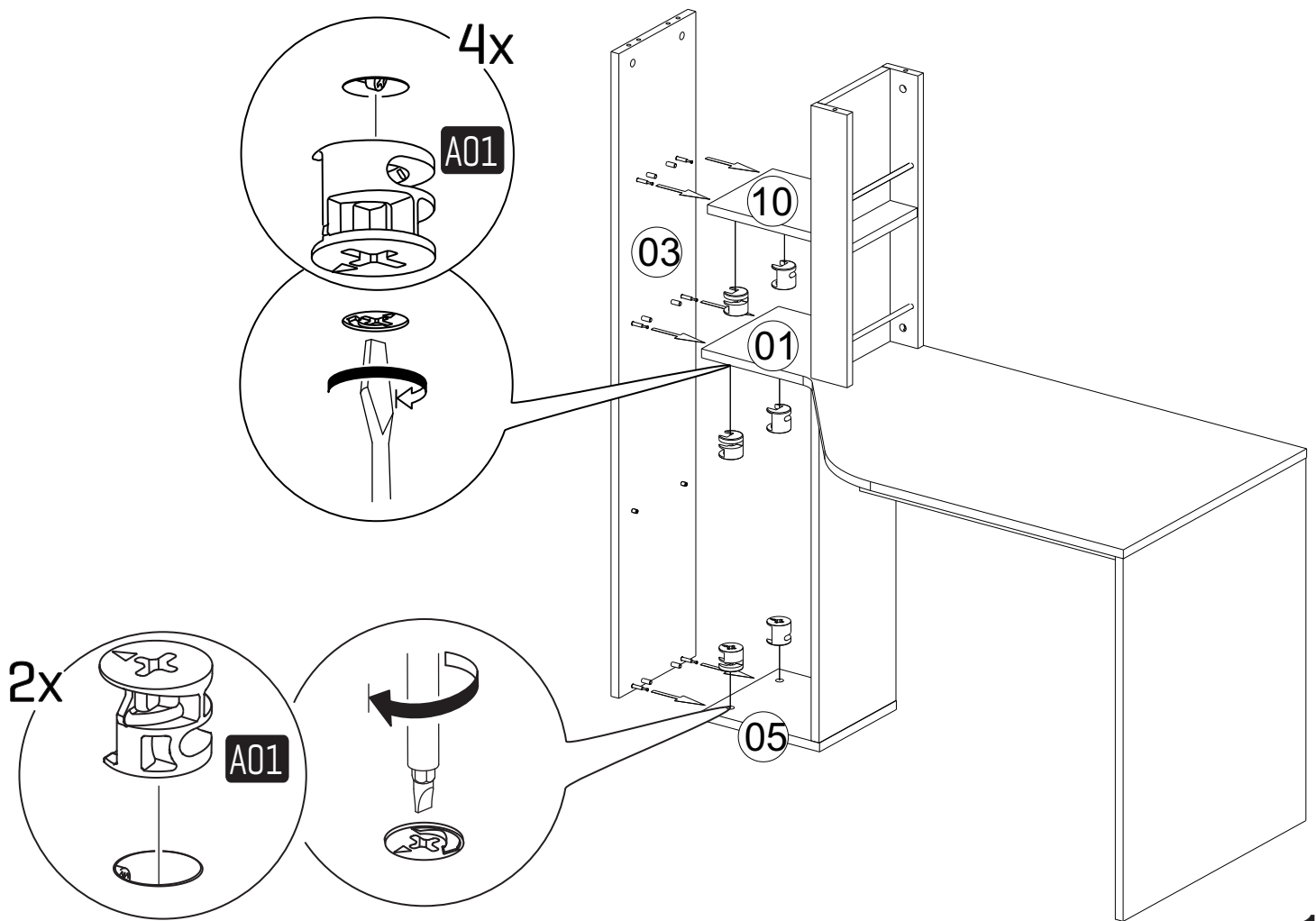
14



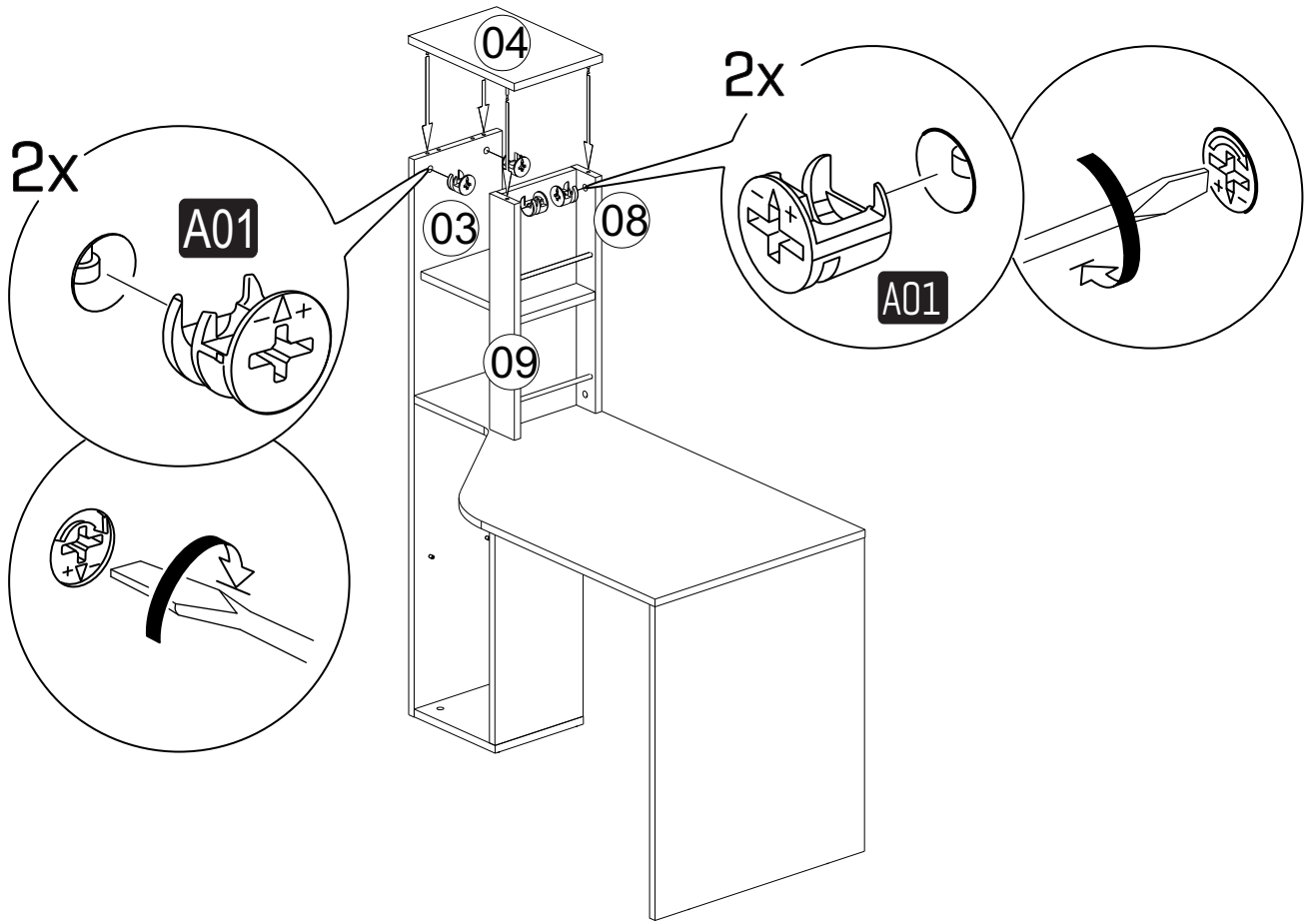
15



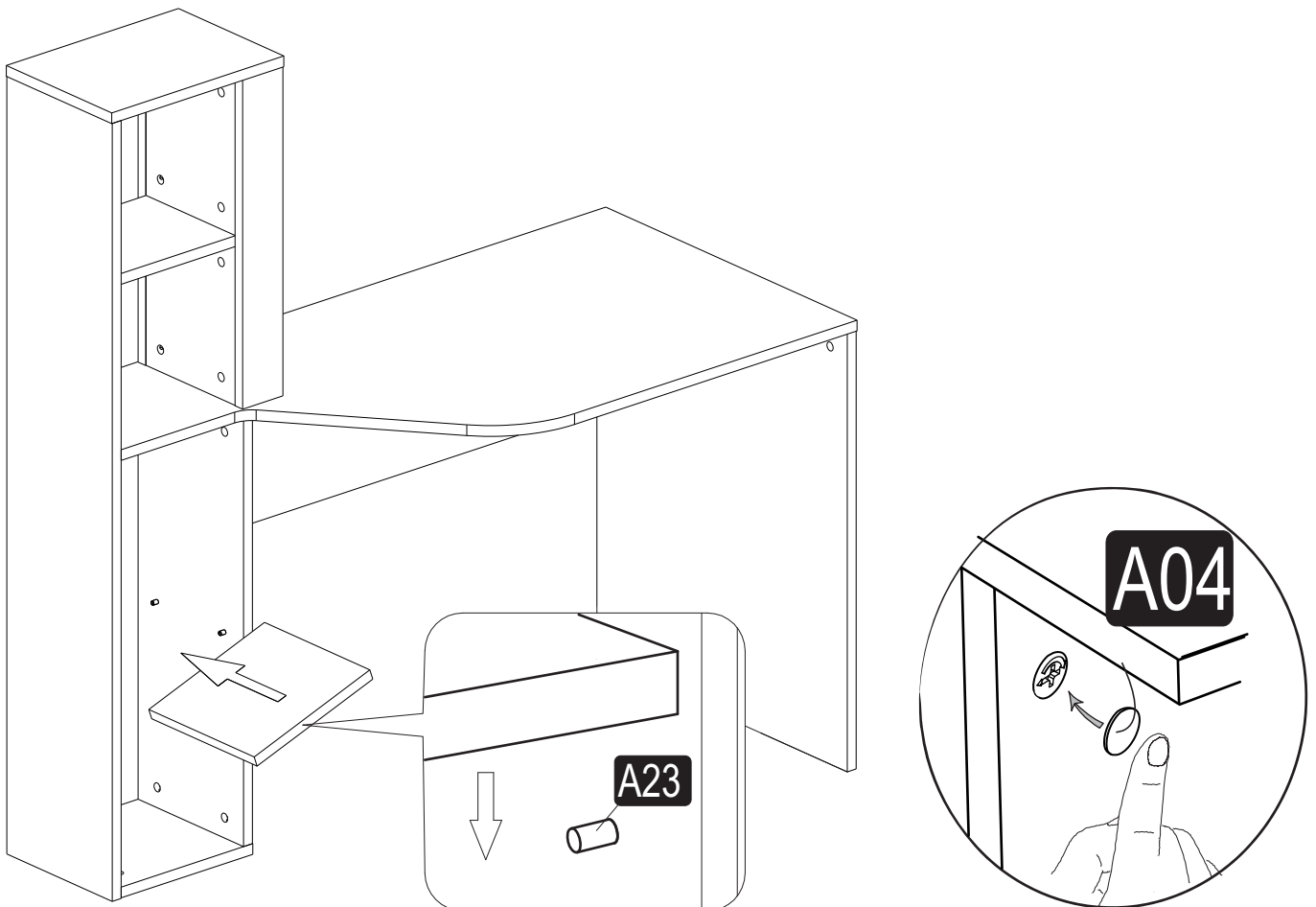
16



17

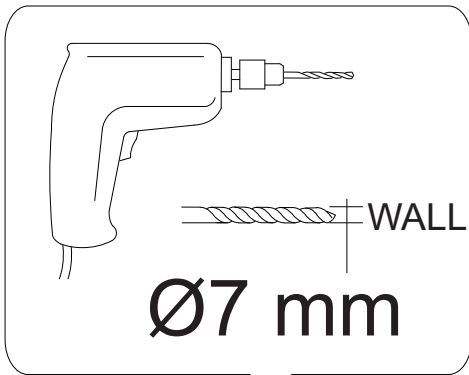


18

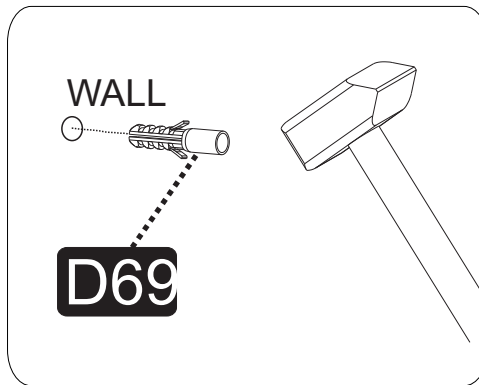


19

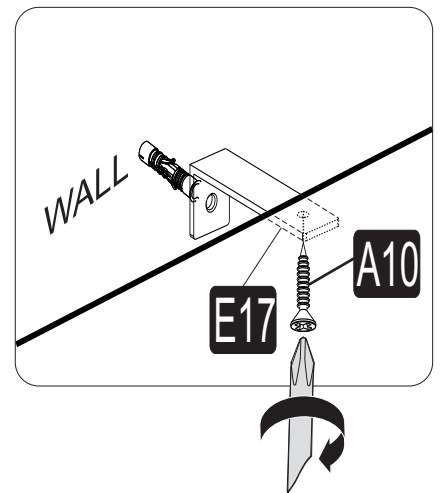
PART-1



PART-2



PART-3



PART-4

