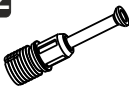

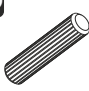





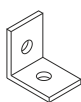


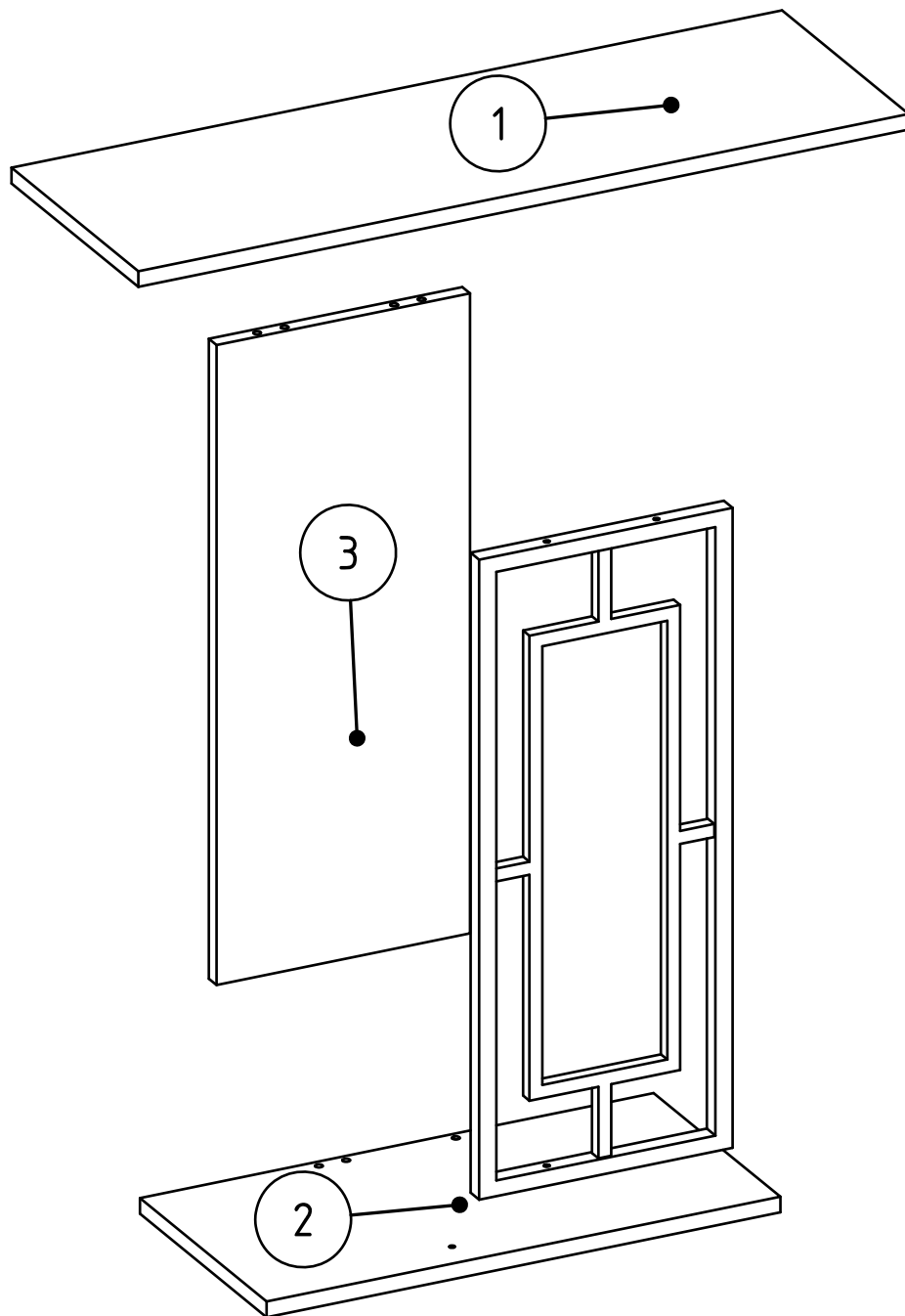


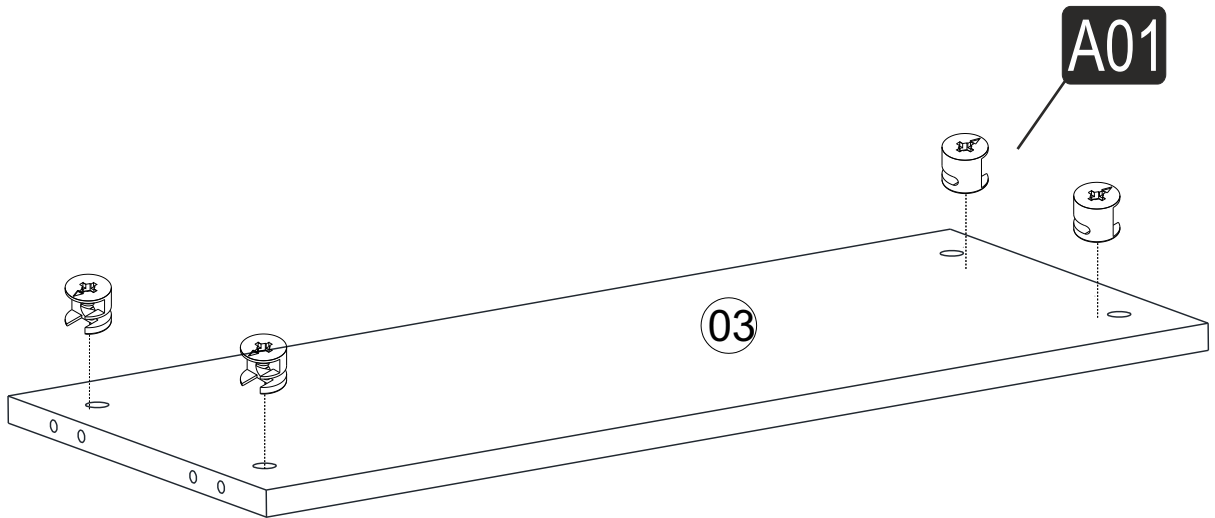
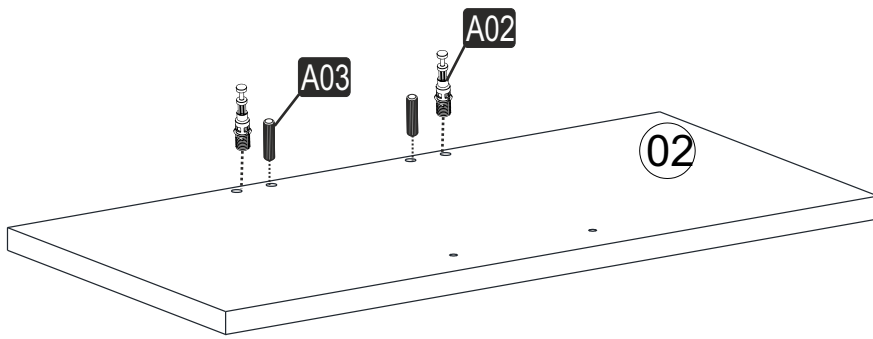
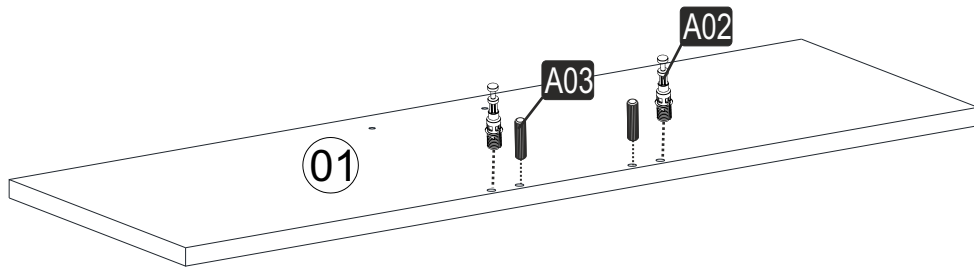
i GP042-0316,1



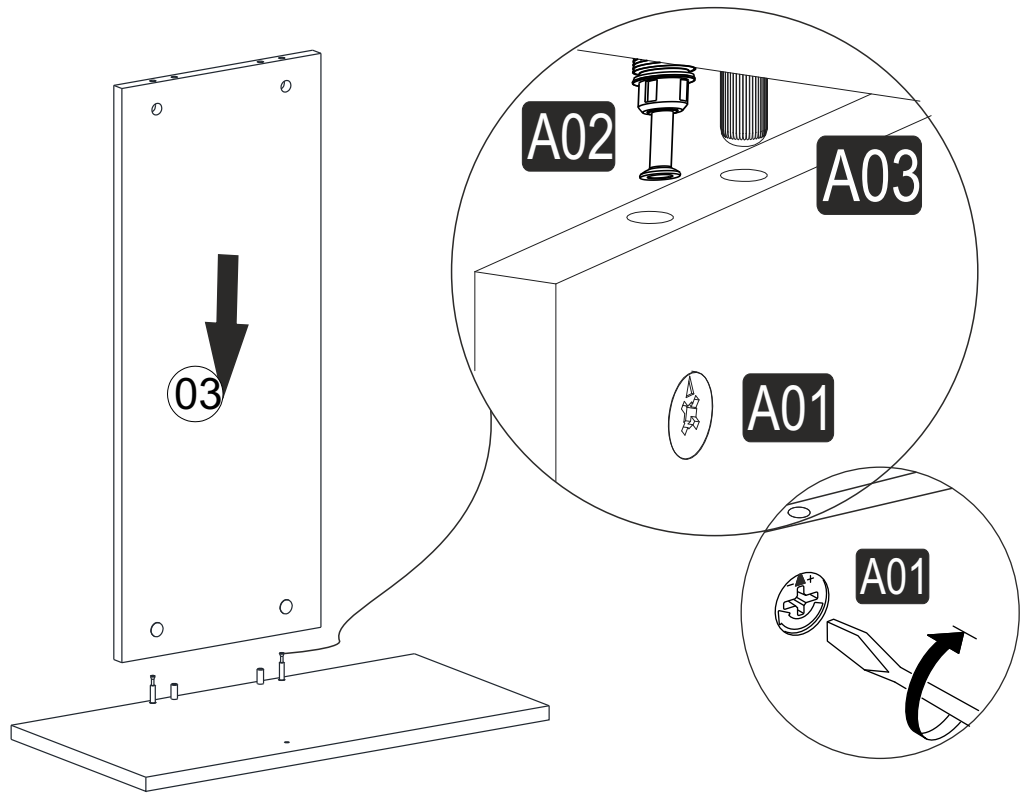
90 x 29,6 x 76,8cm

A02  4x	A01  4x	A03  4x	A04  D 4x	F22 M6x25  2x	A10 3,5x18  2x
H94 DKR-548 H732*296*20  1x <small>RENK: 09620.PS937</small>	A29 3,5x30 YHB  2x	A07  2x	D69 Ø8 Lik  2x	A09 4x50 YHB  2x	

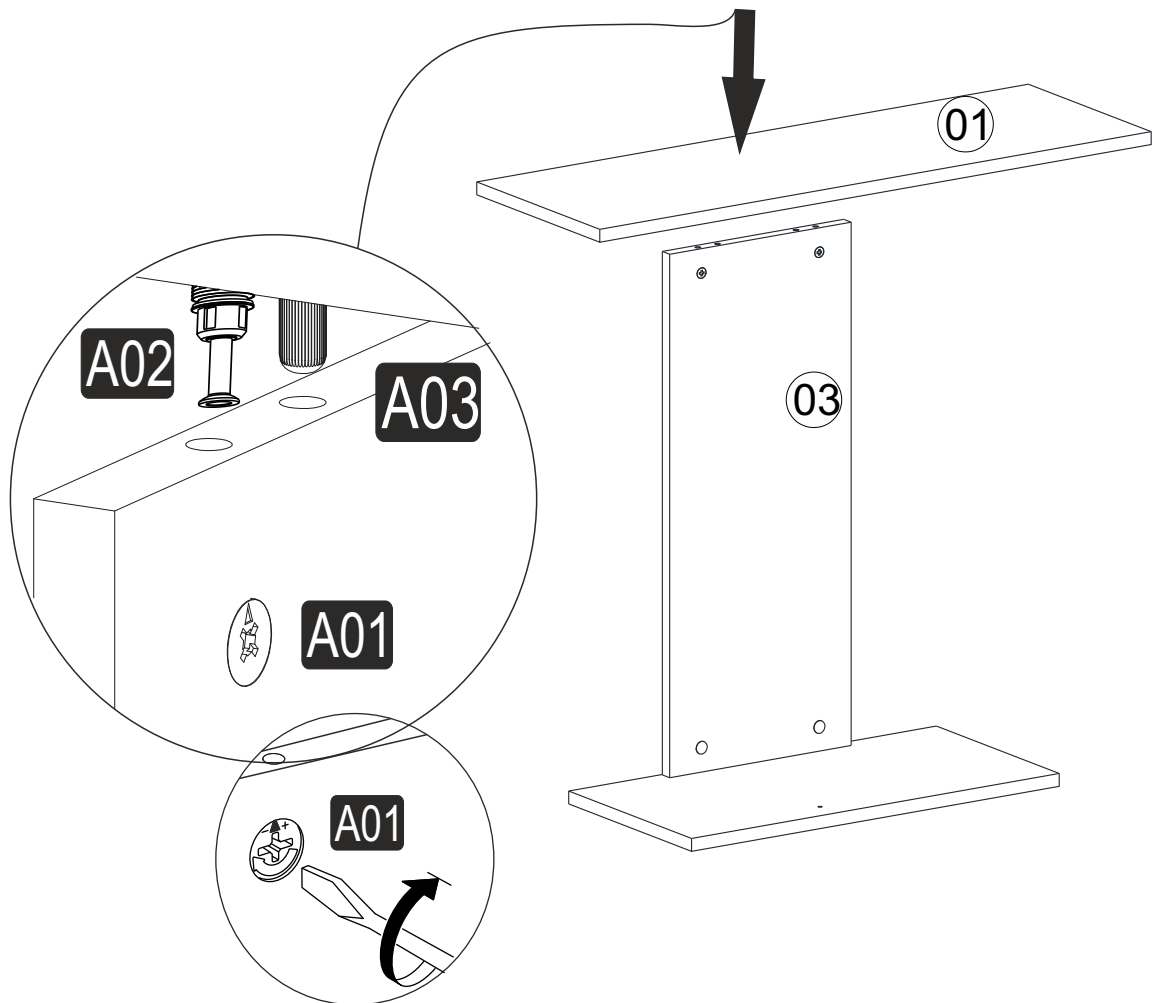




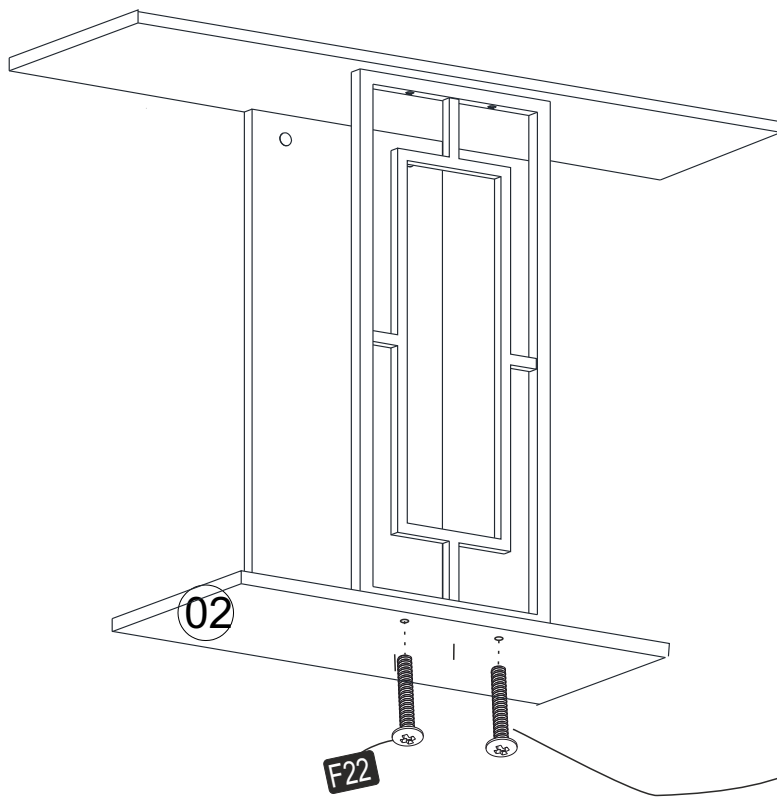
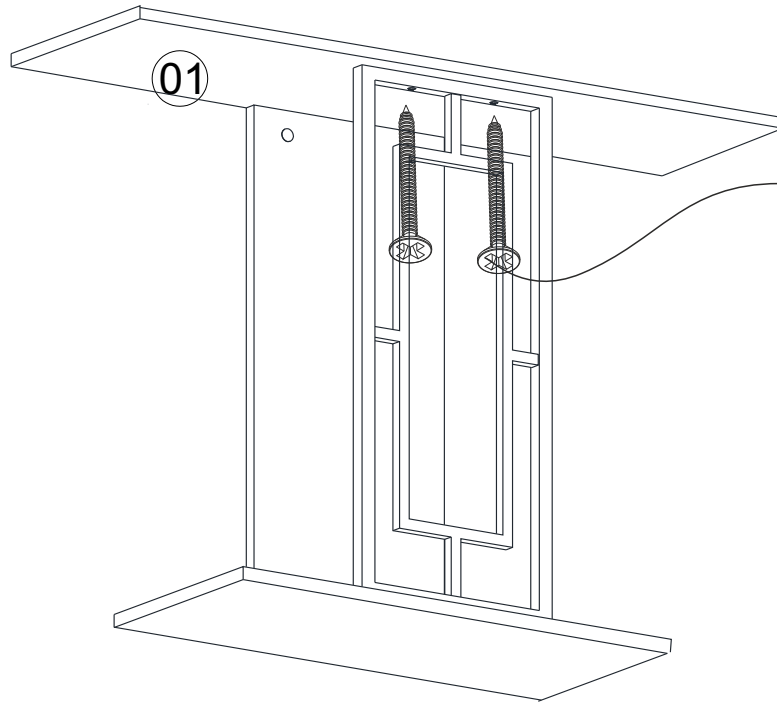
1



2



3



PART-1

PART-2

