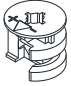
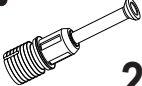





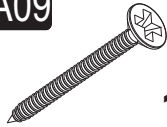
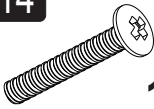

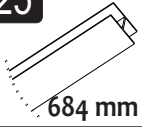
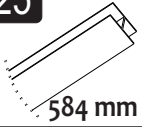
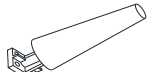
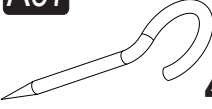

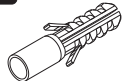
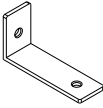
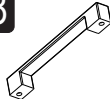
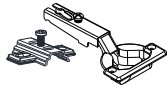
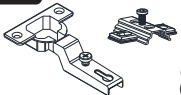
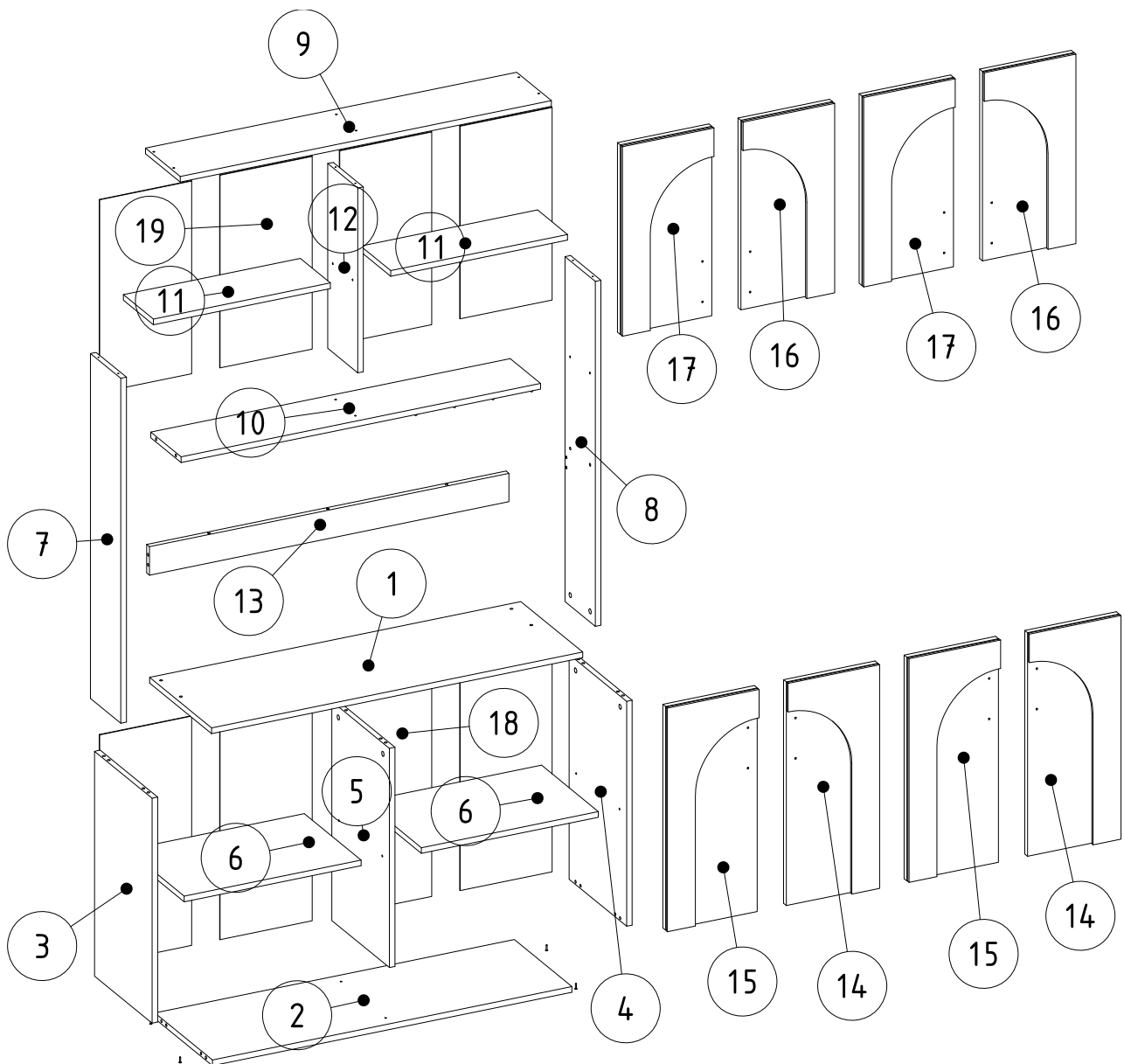


i GP042-0336,1

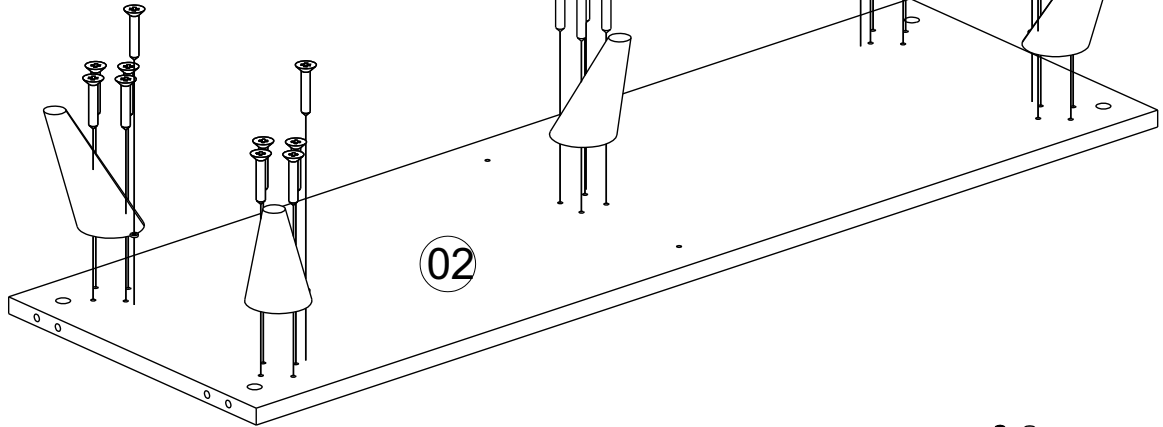
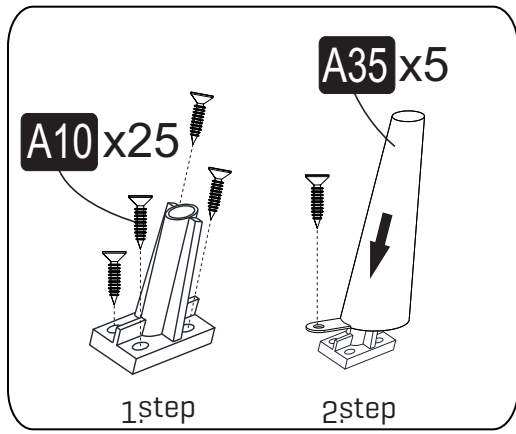


120 x 40 x 196cm

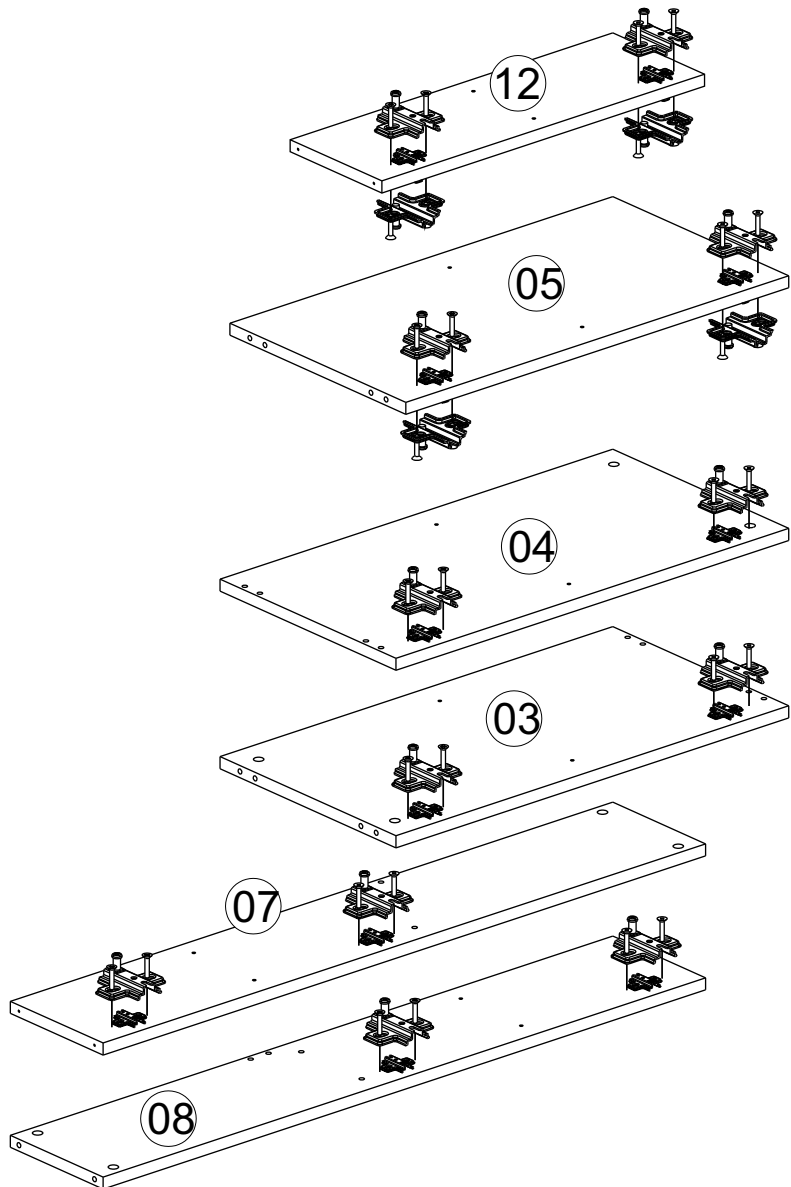
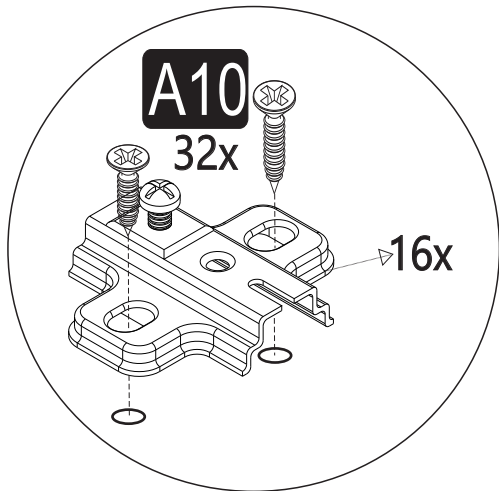
A01  25x	A02  25x	A03  10x	A23  16x	A28  124x
A04  A 18x D 7x	A10  3,5x18 90x	A09  4x50 10x	A14  M4x22 16x	A16  A 4x D 6x
A25  684 mm 2x	A25  584 mm 2x	A35  12 cm (Byz) 5x	A97  4x	D41  5x70 1x
D69  Ø8 1x	E17  1x	E18  KRM 128 MM 8x	H48  DM 8x	H68  YD M 8x



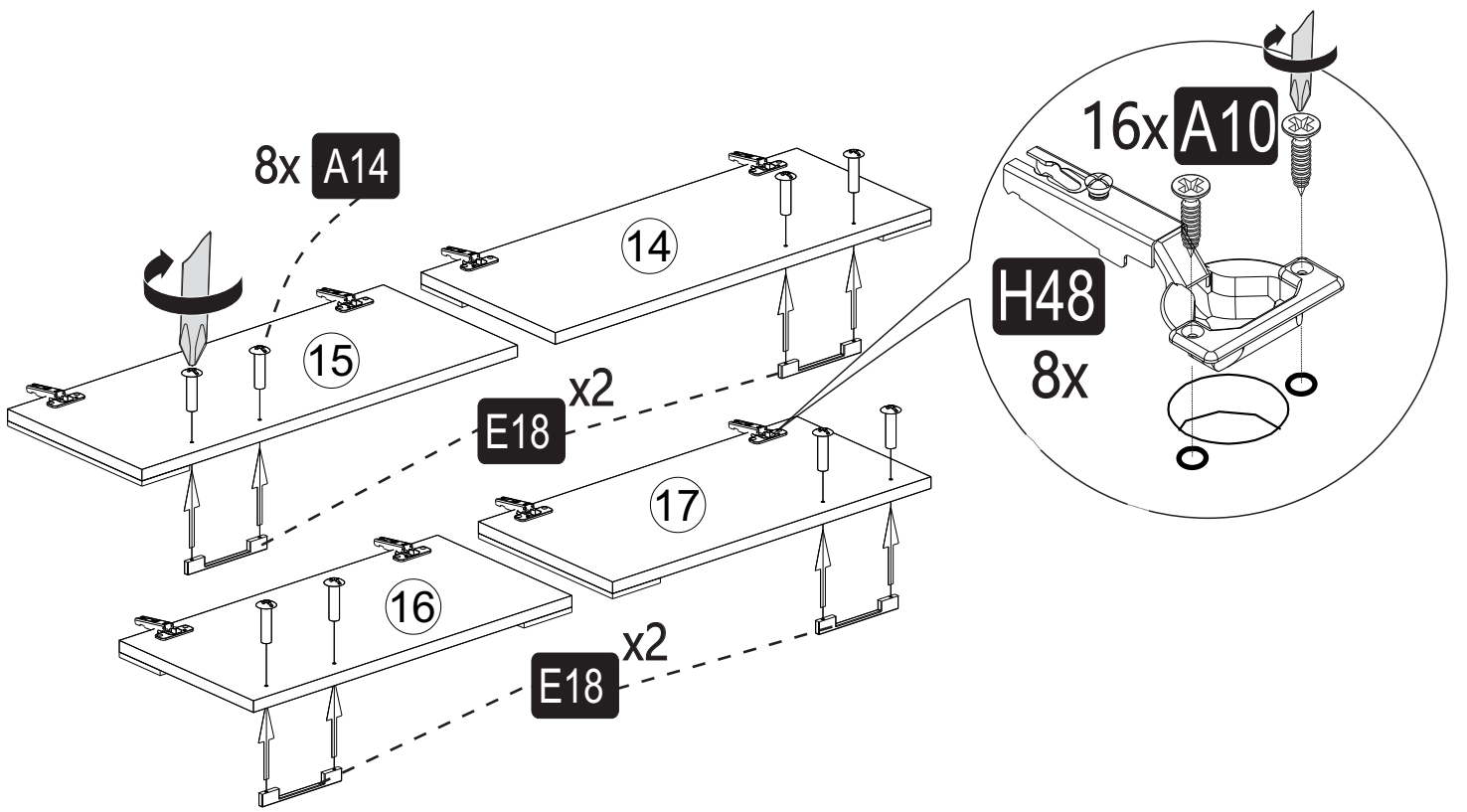
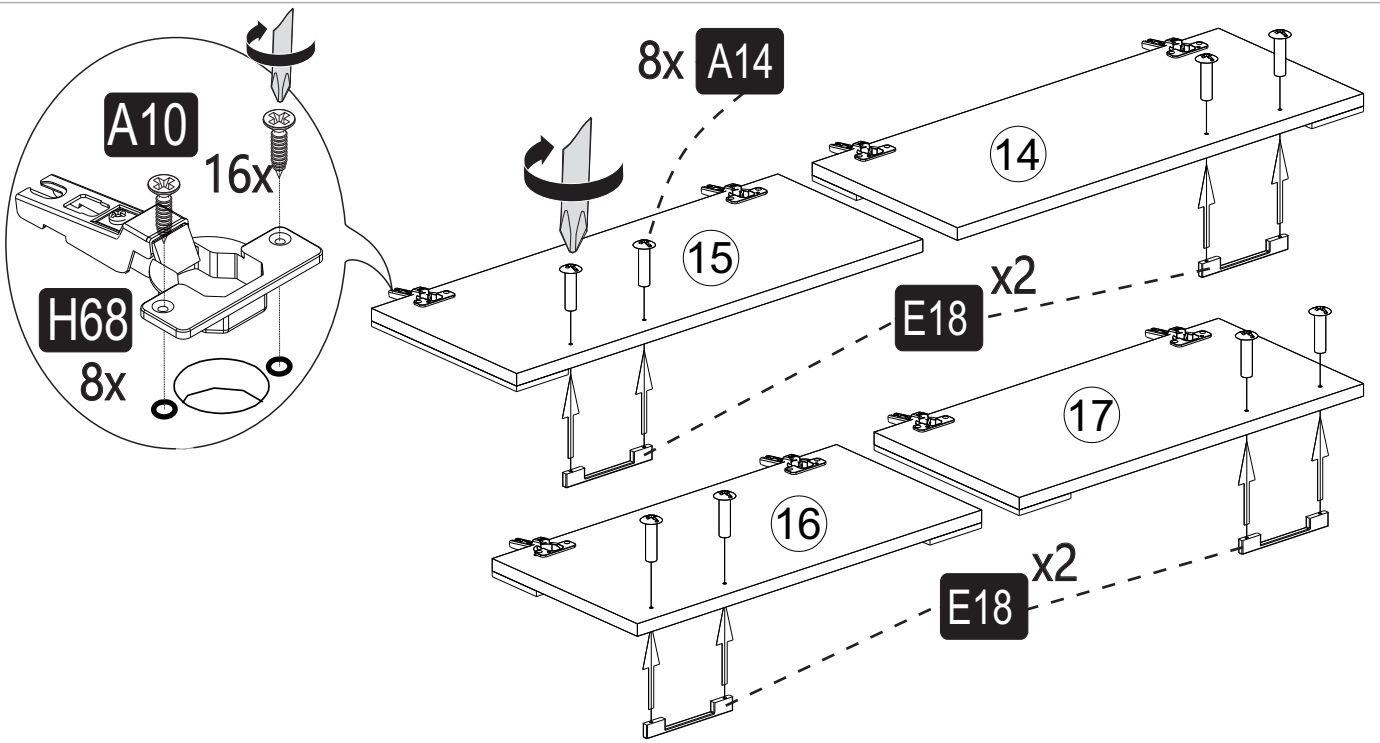
1



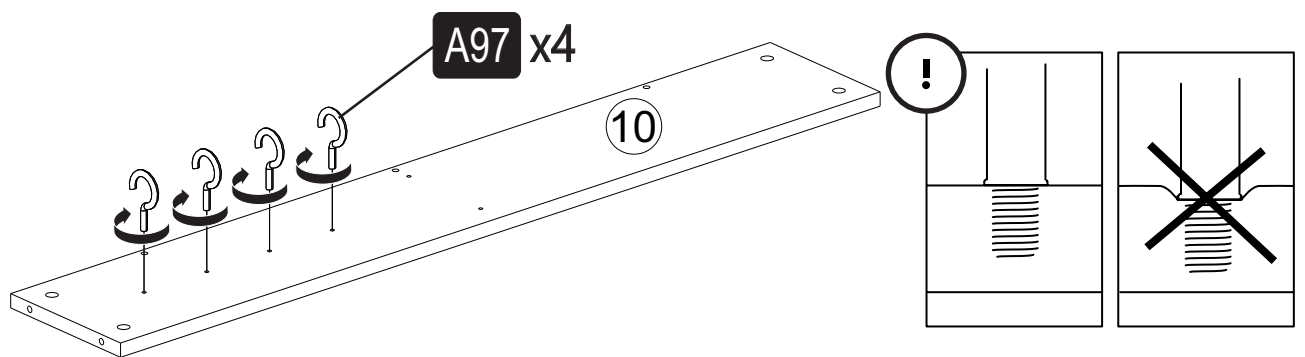
2



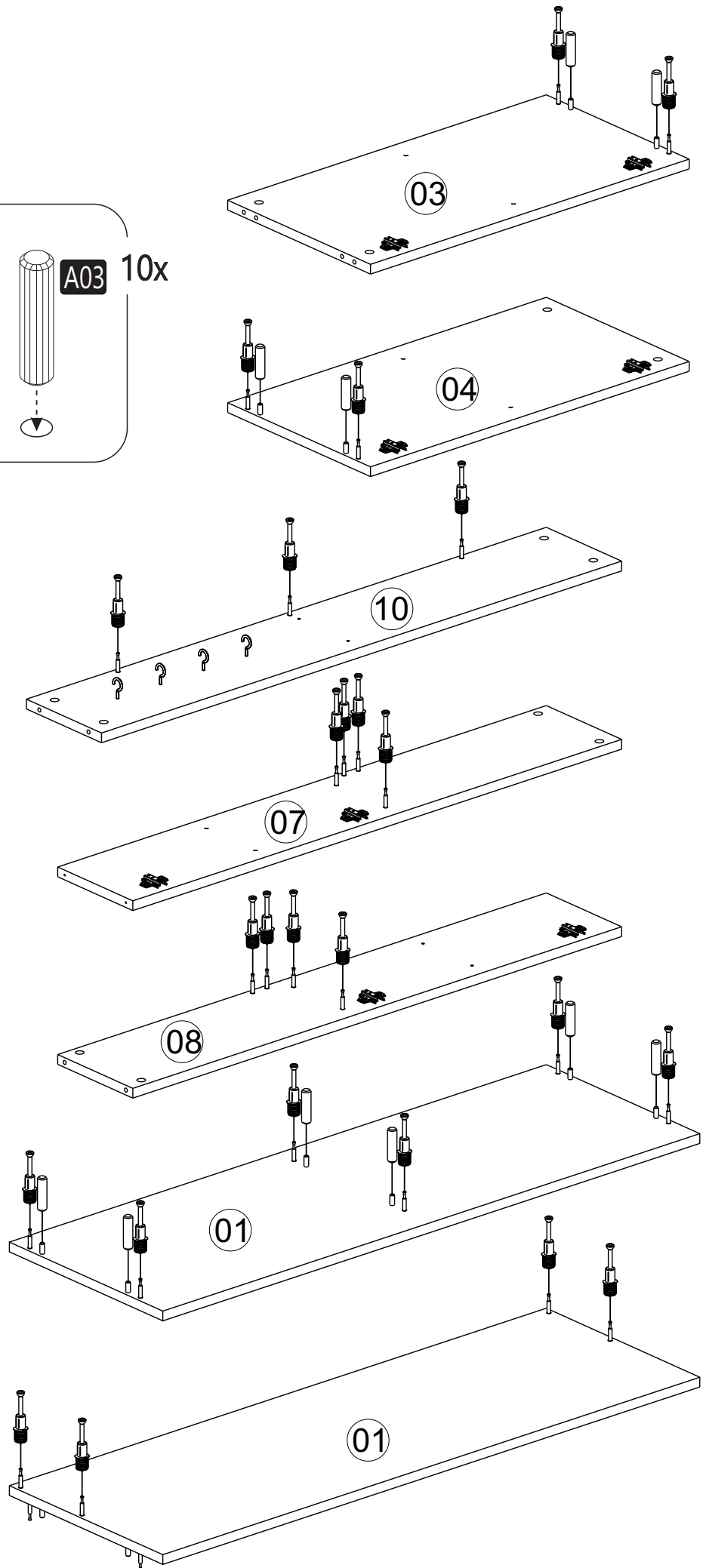
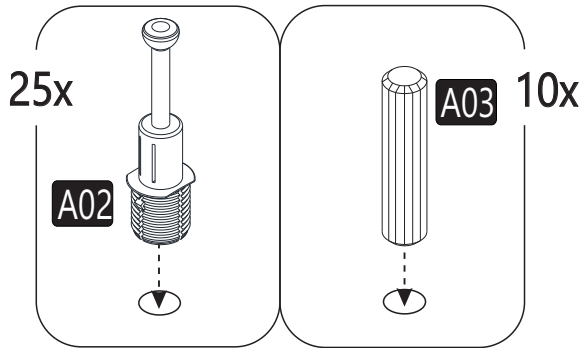
3



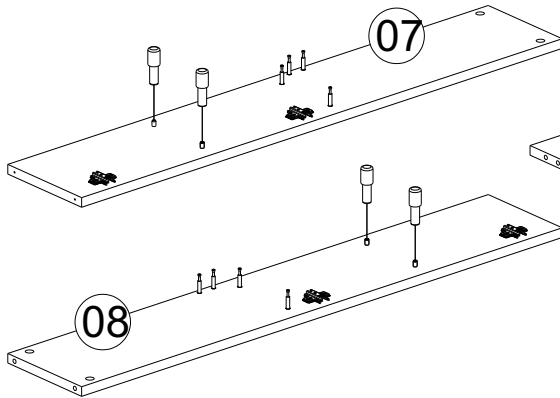
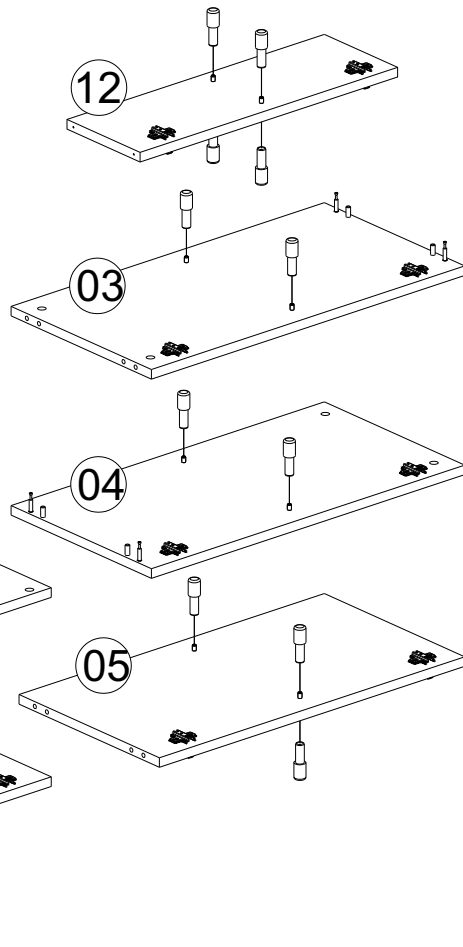
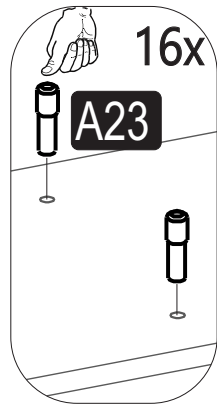
4



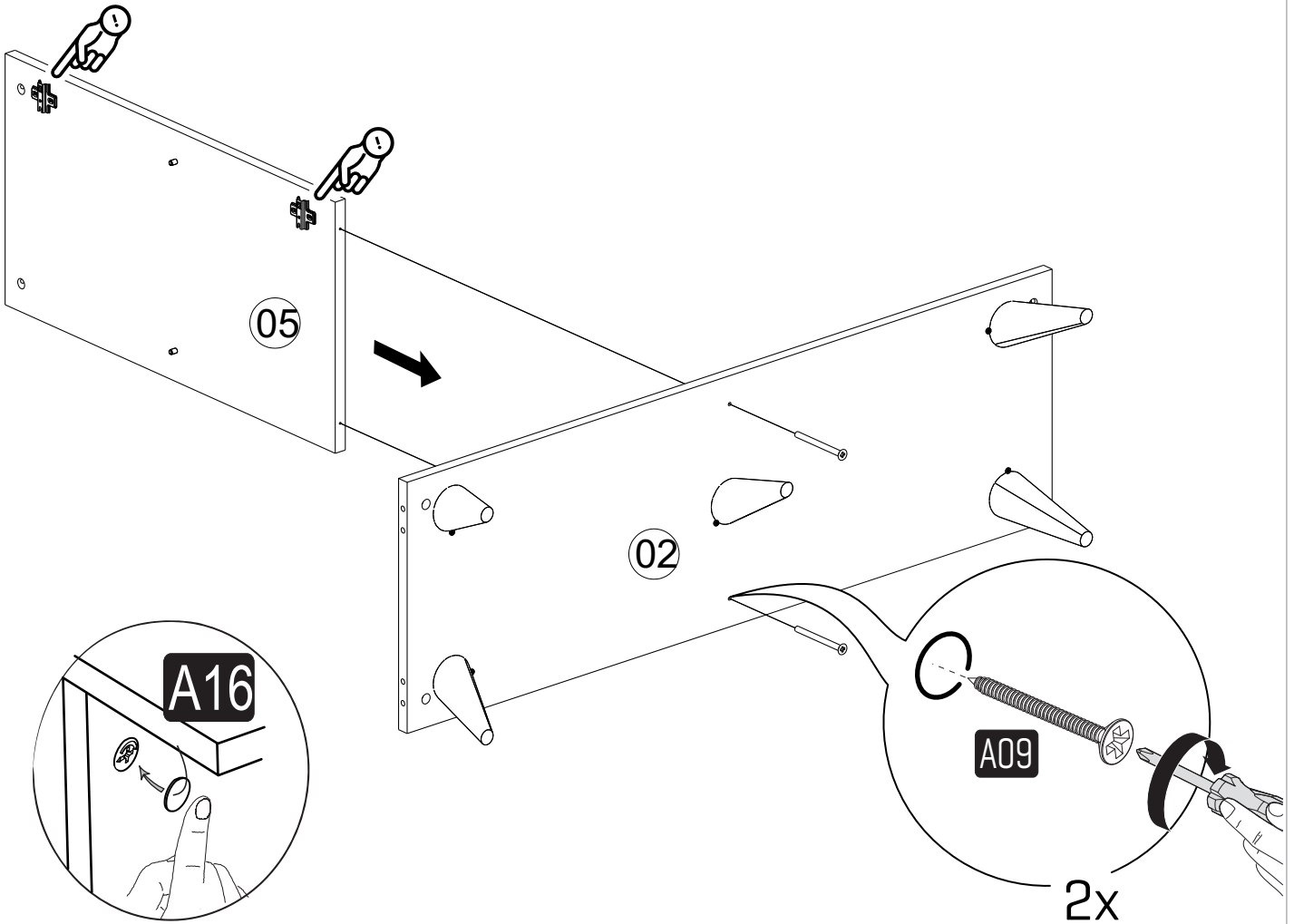
5



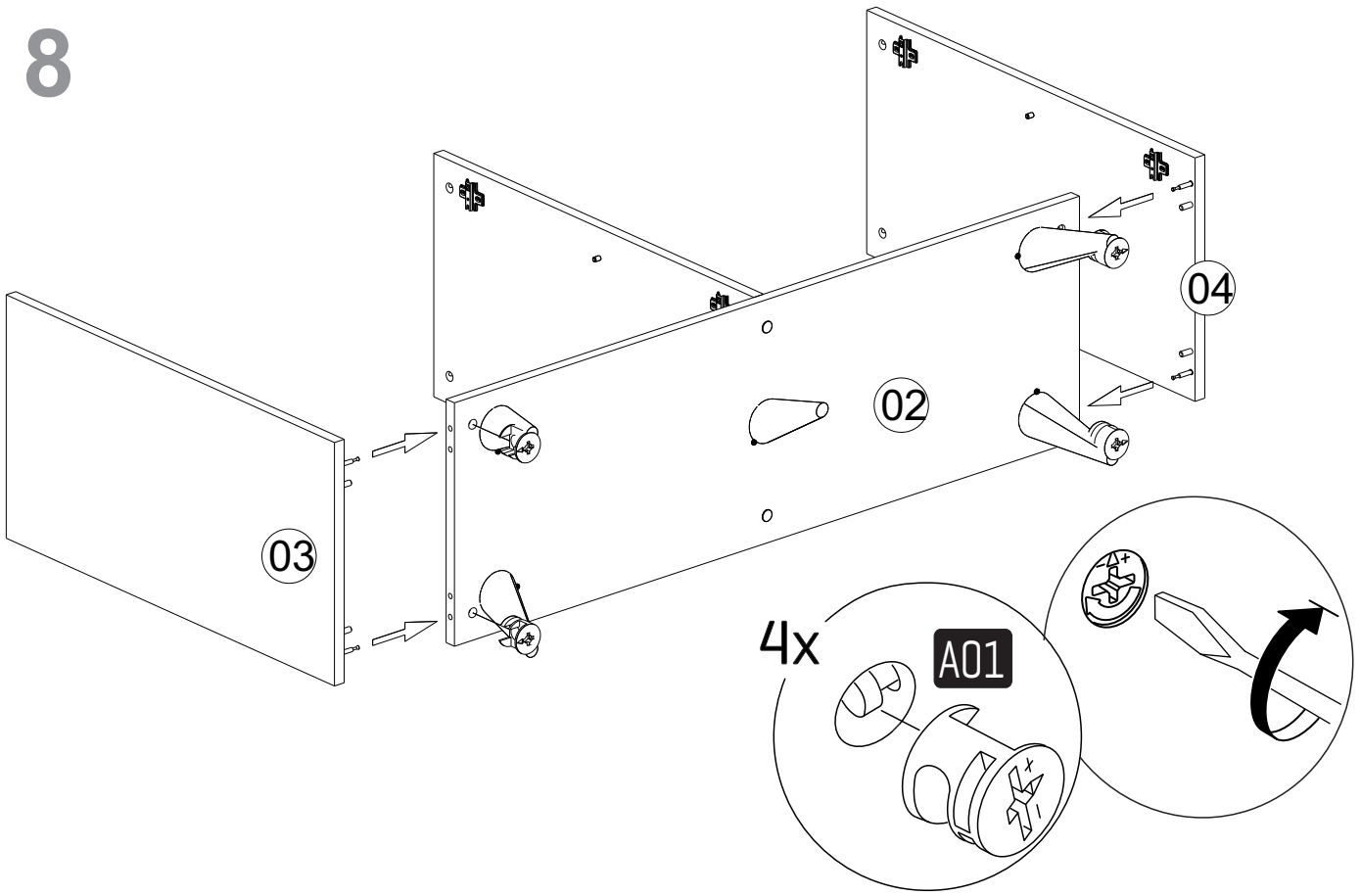
6



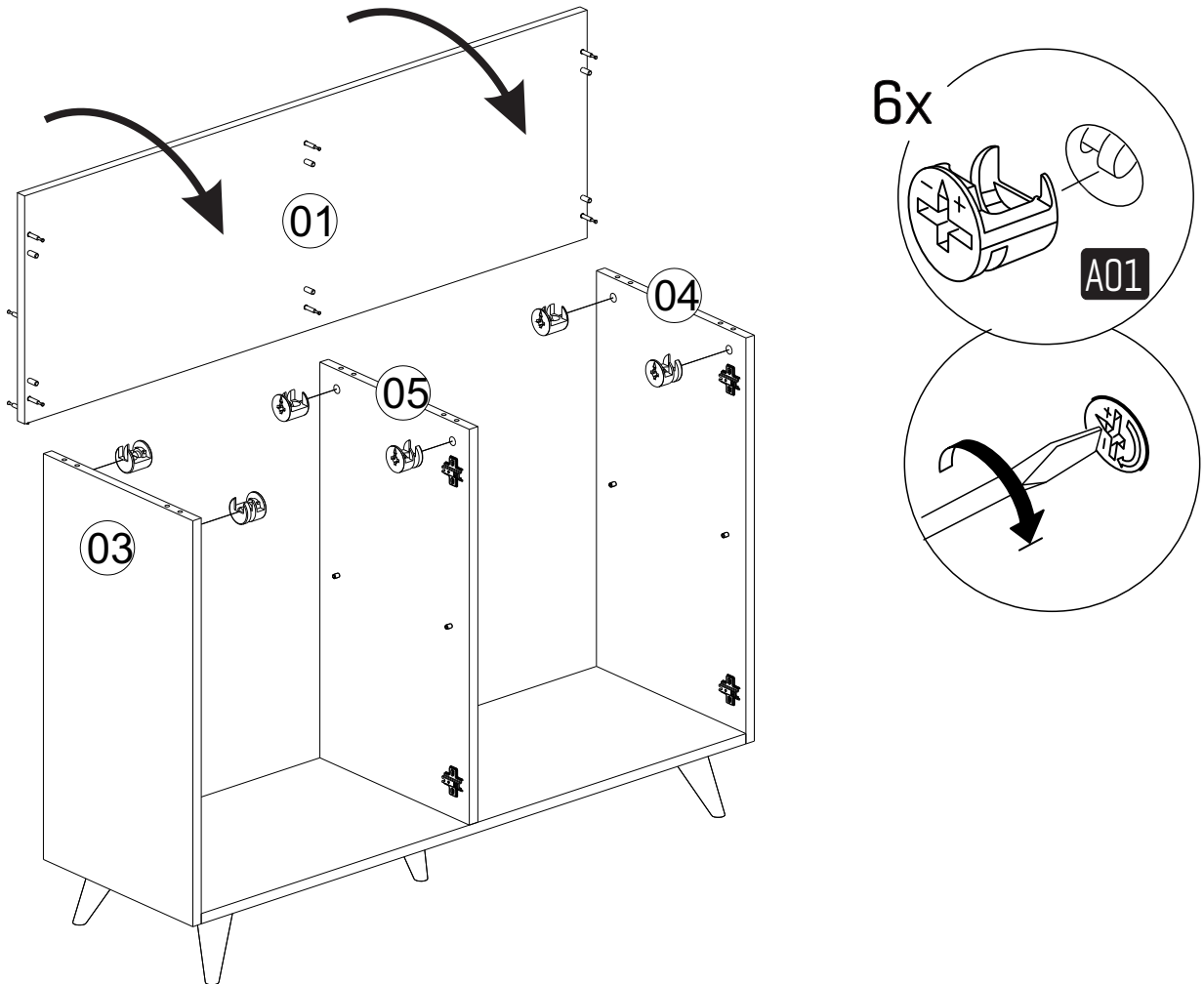
7



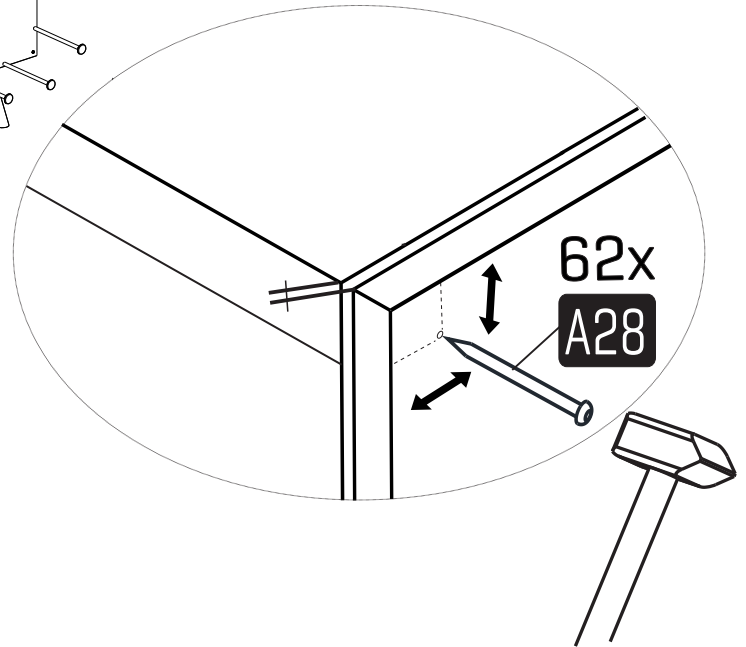
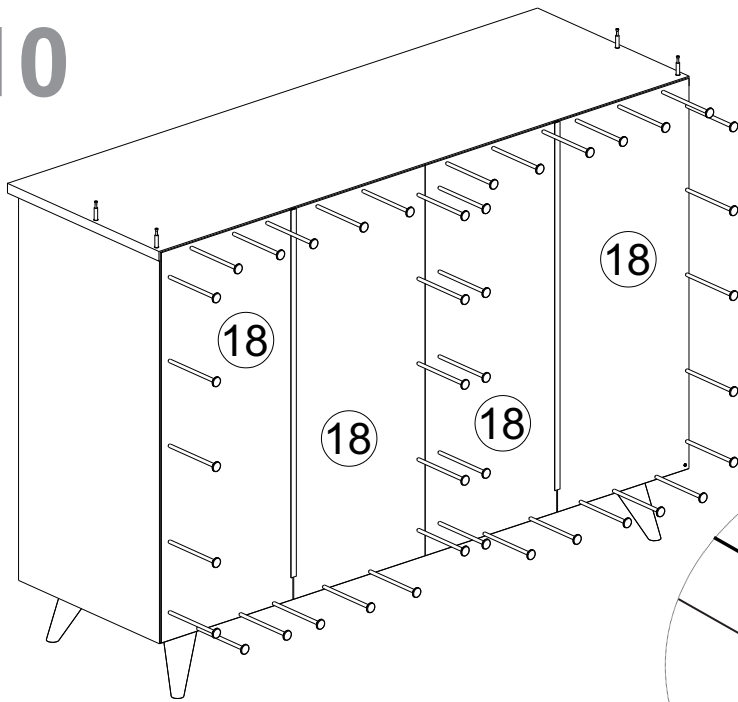
8



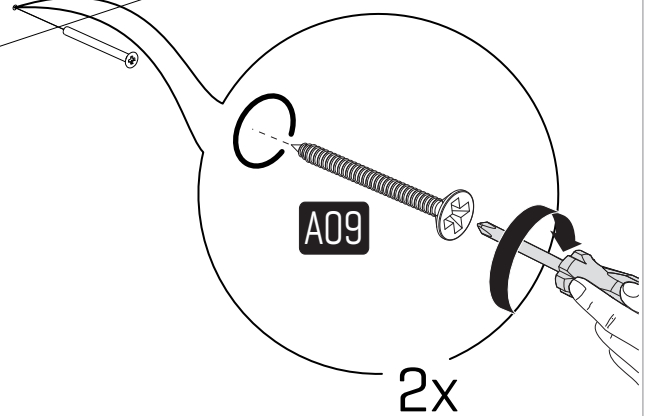
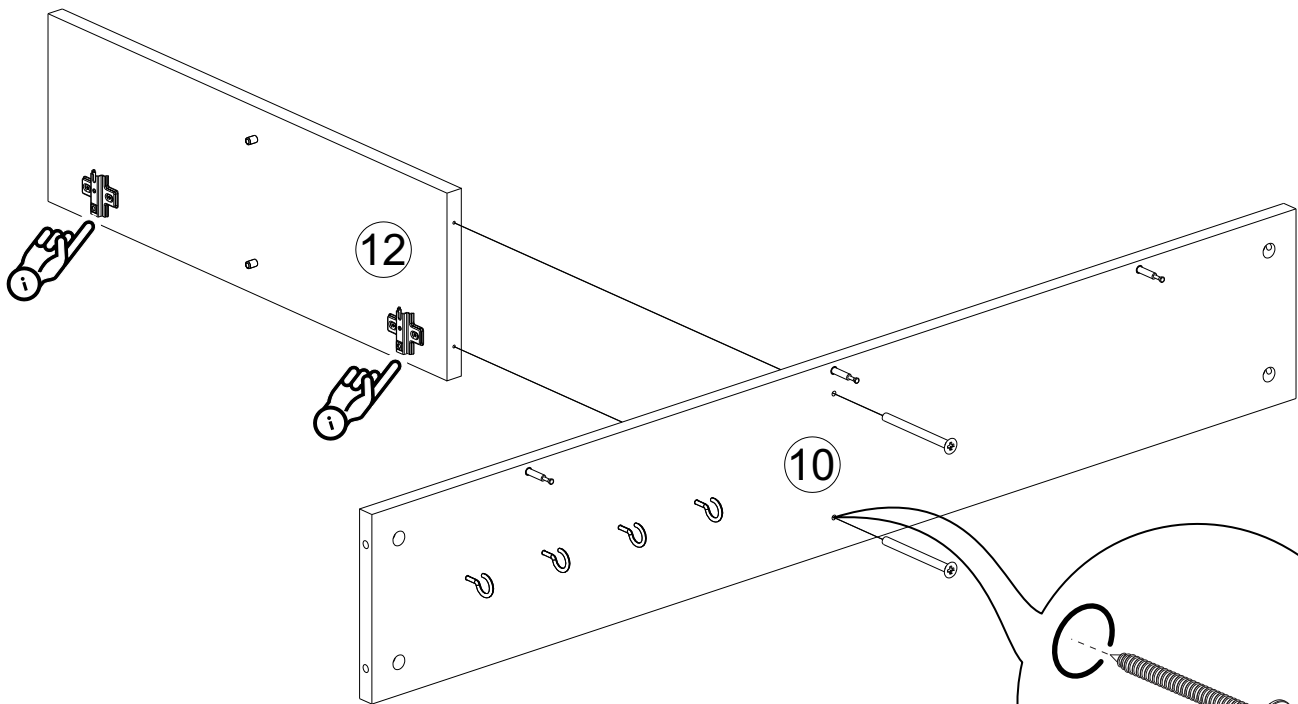
9



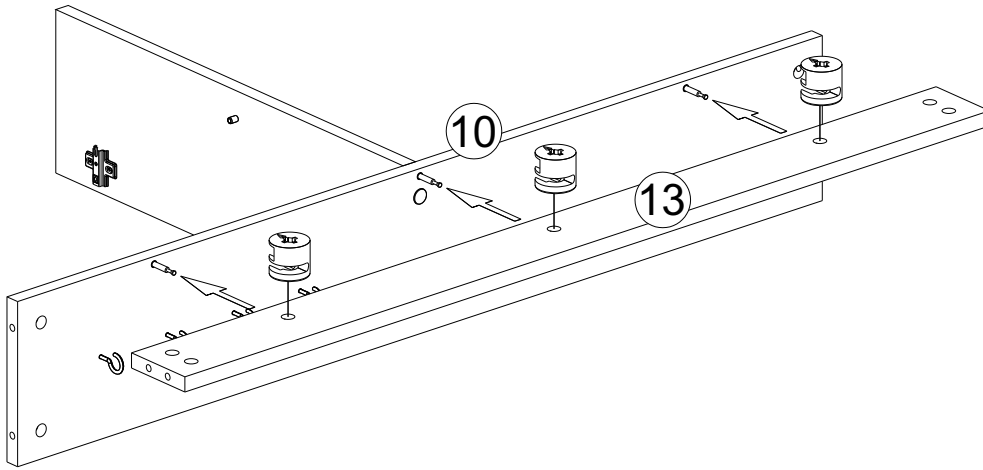
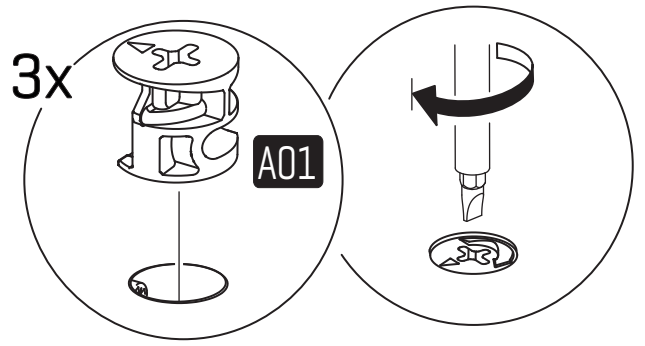
10



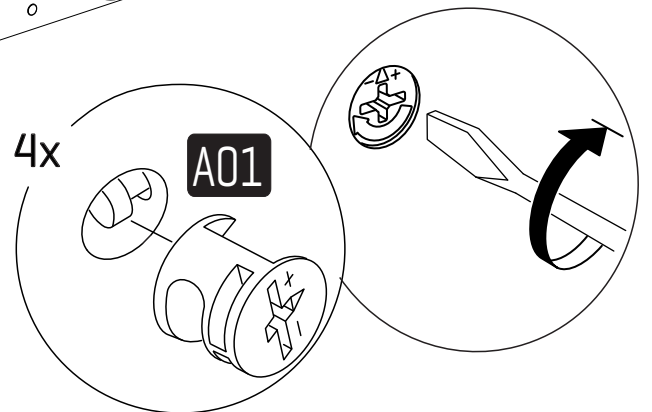
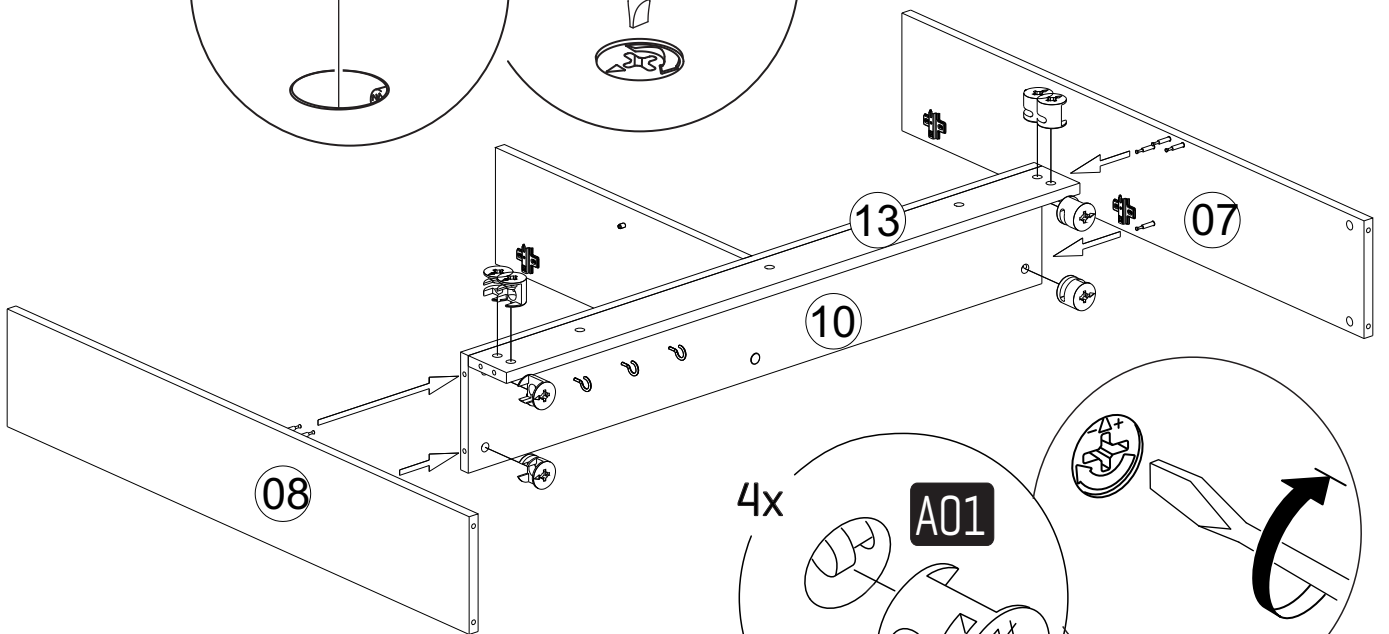
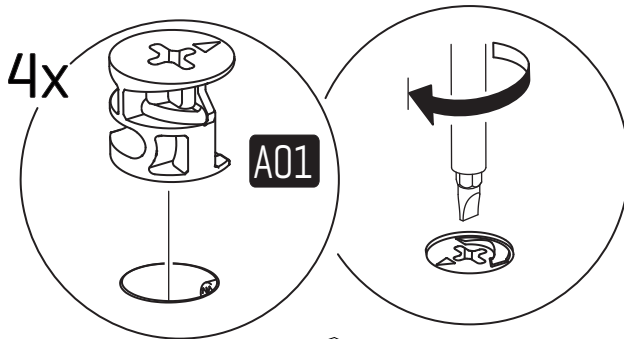
11



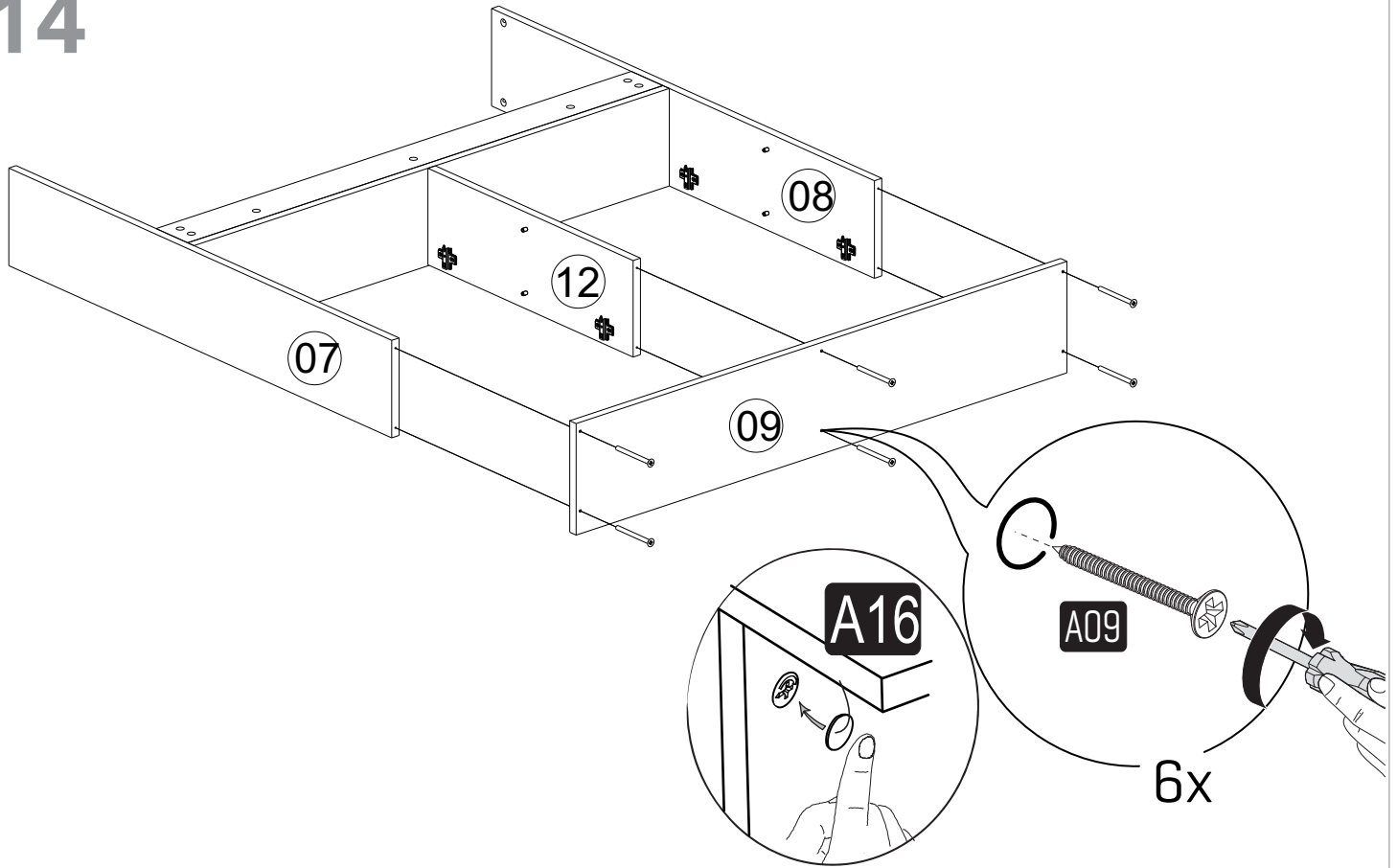
12



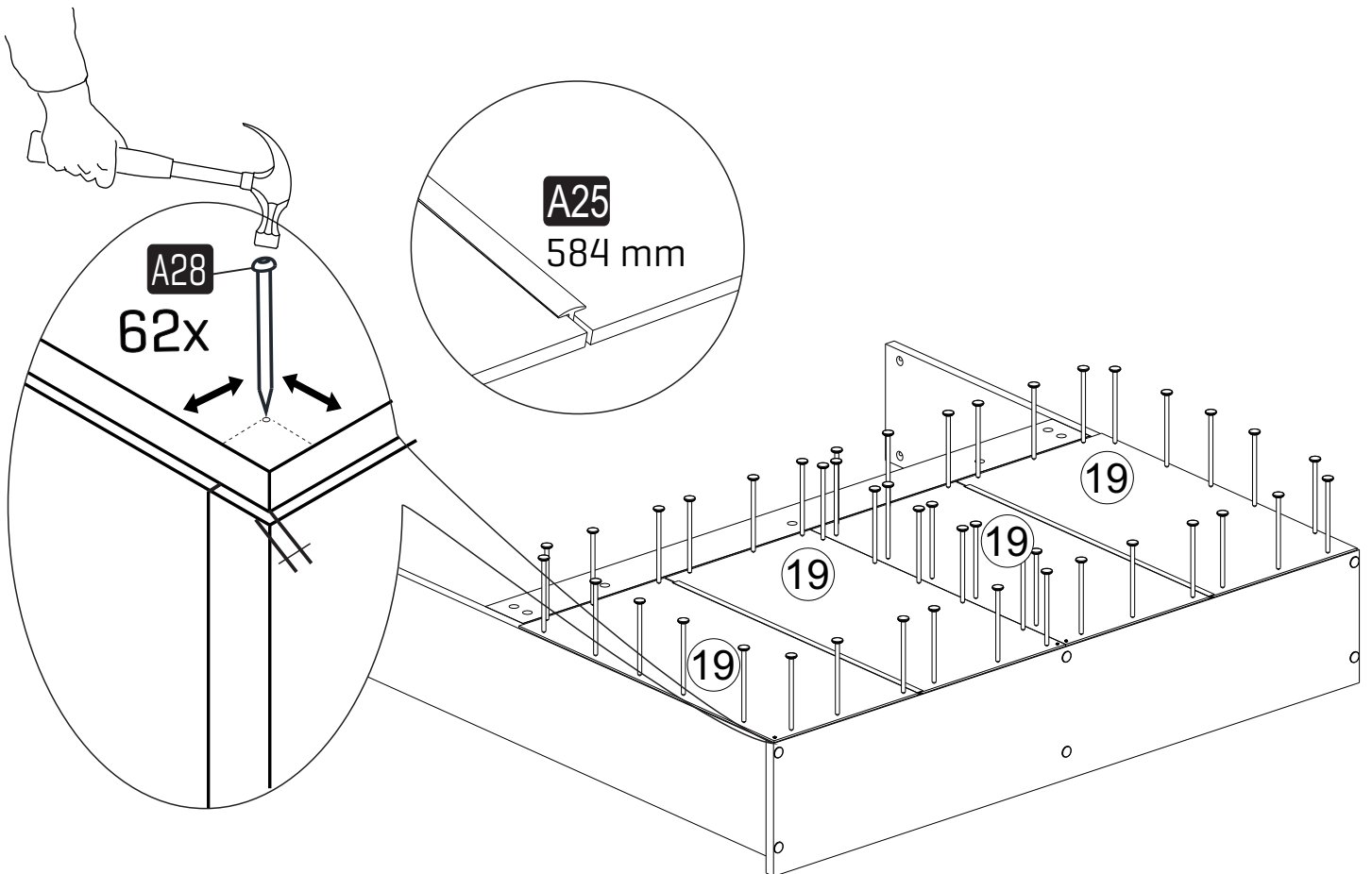
13



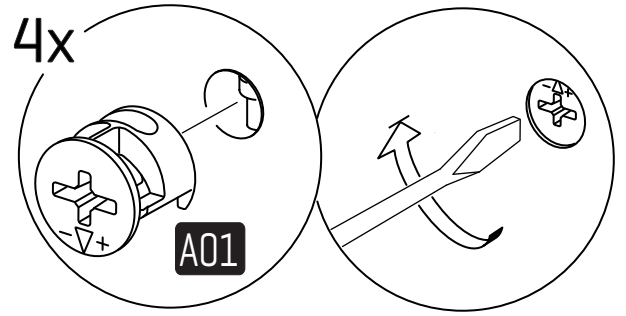
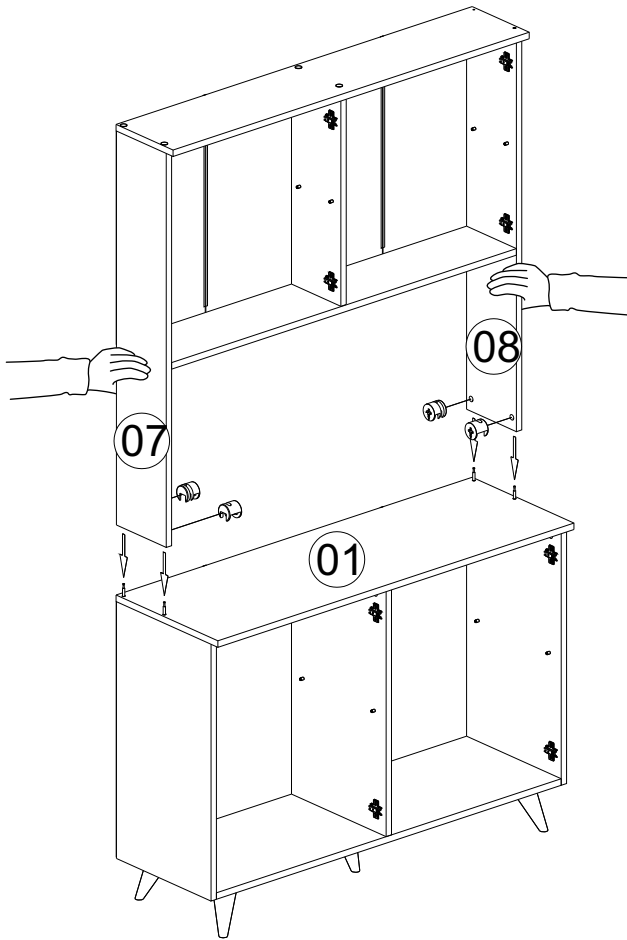
14



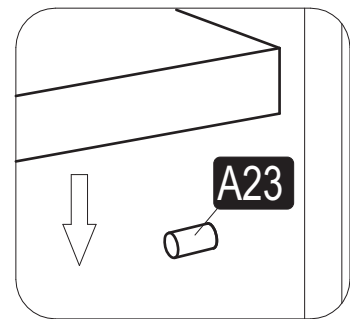
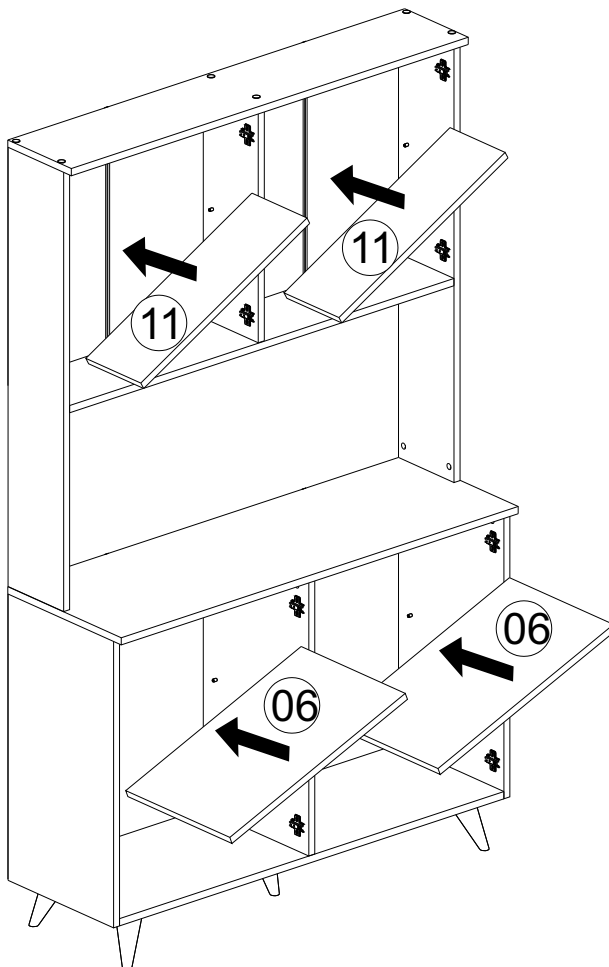
15



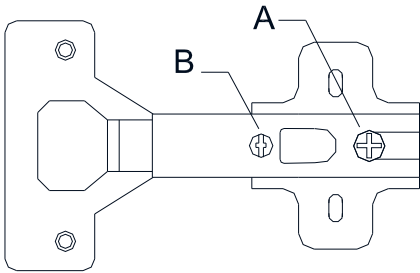
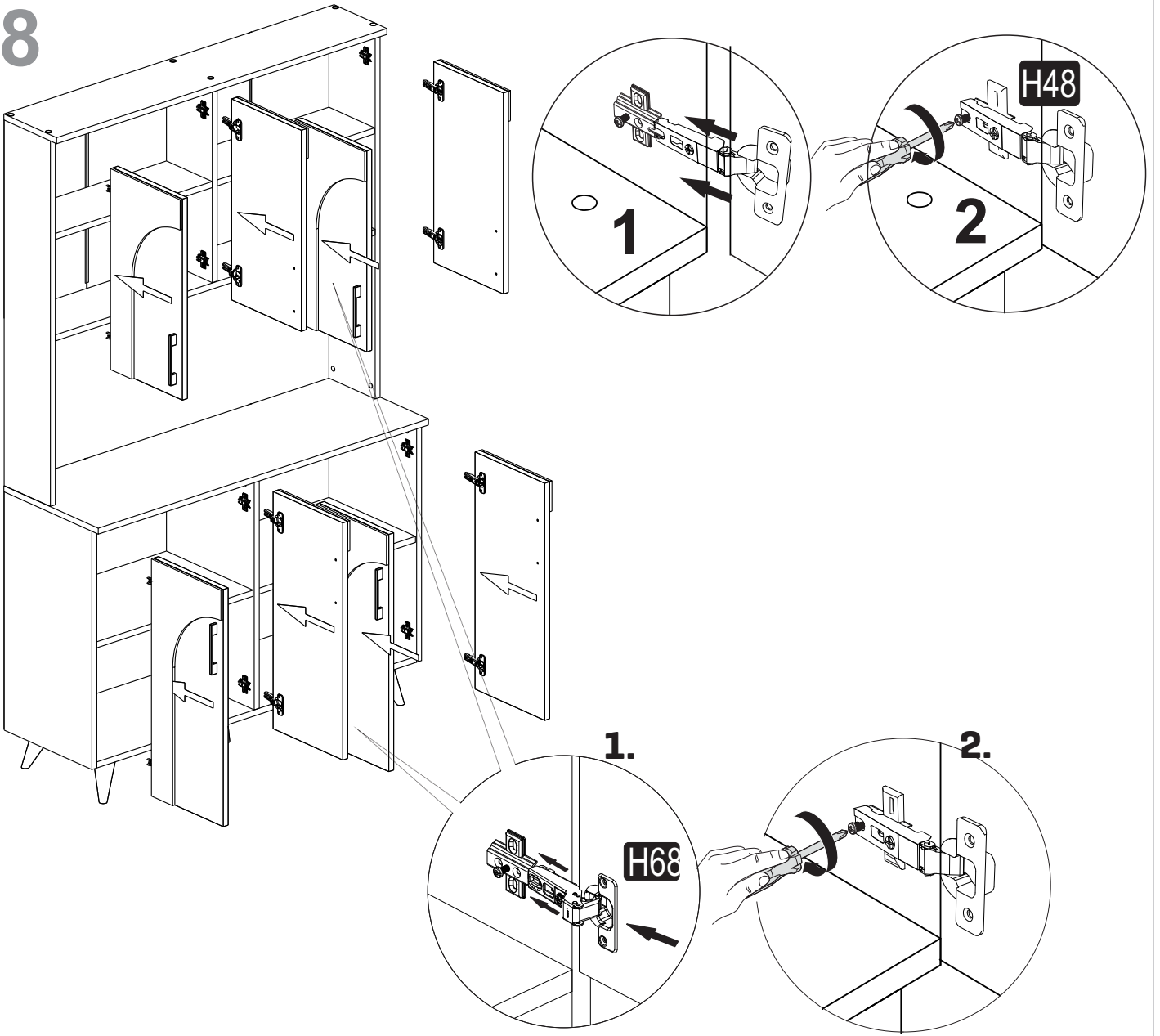
16



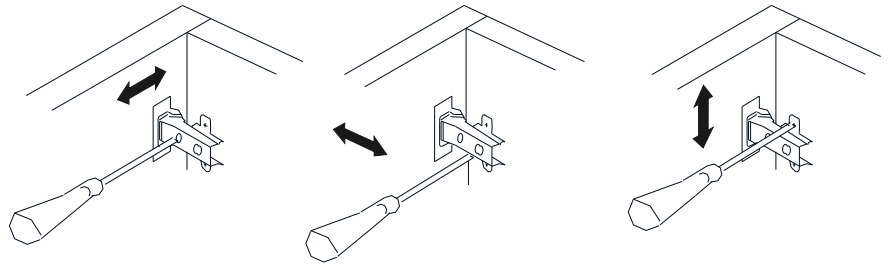
17



18



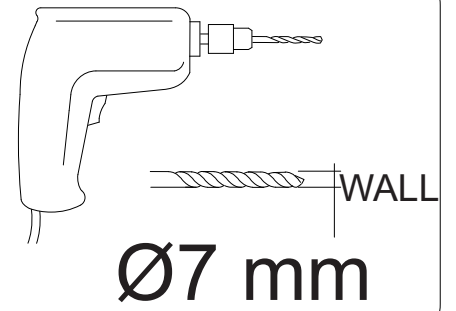
A= menteşe bağlama vidası / to connect the hinge to the door
B= kapak ayar vidası / to arrange the door



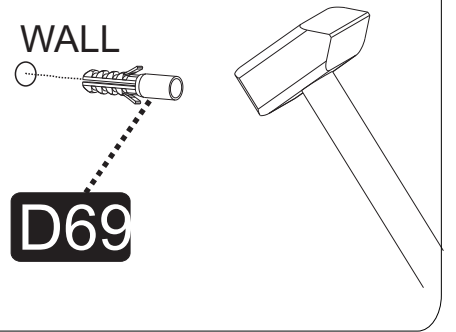
oklar kapağın ayarlama yönünü gösterir.
arrows to show the directions for arrangement of doors.

19

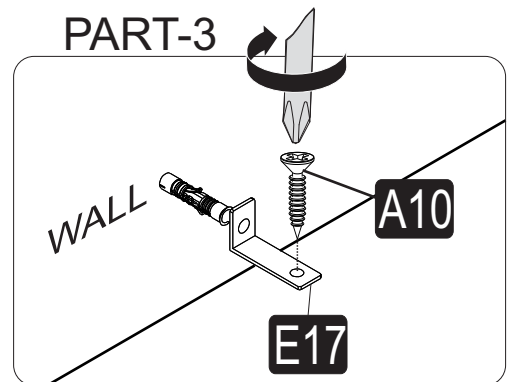
PART-1



PART-2



PART-3



PART-4

