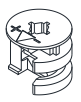
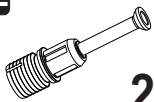




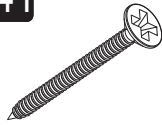


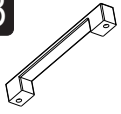
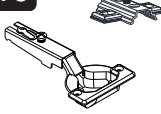

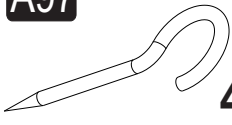
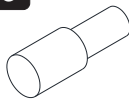
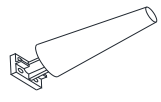
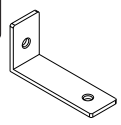
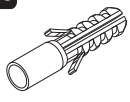
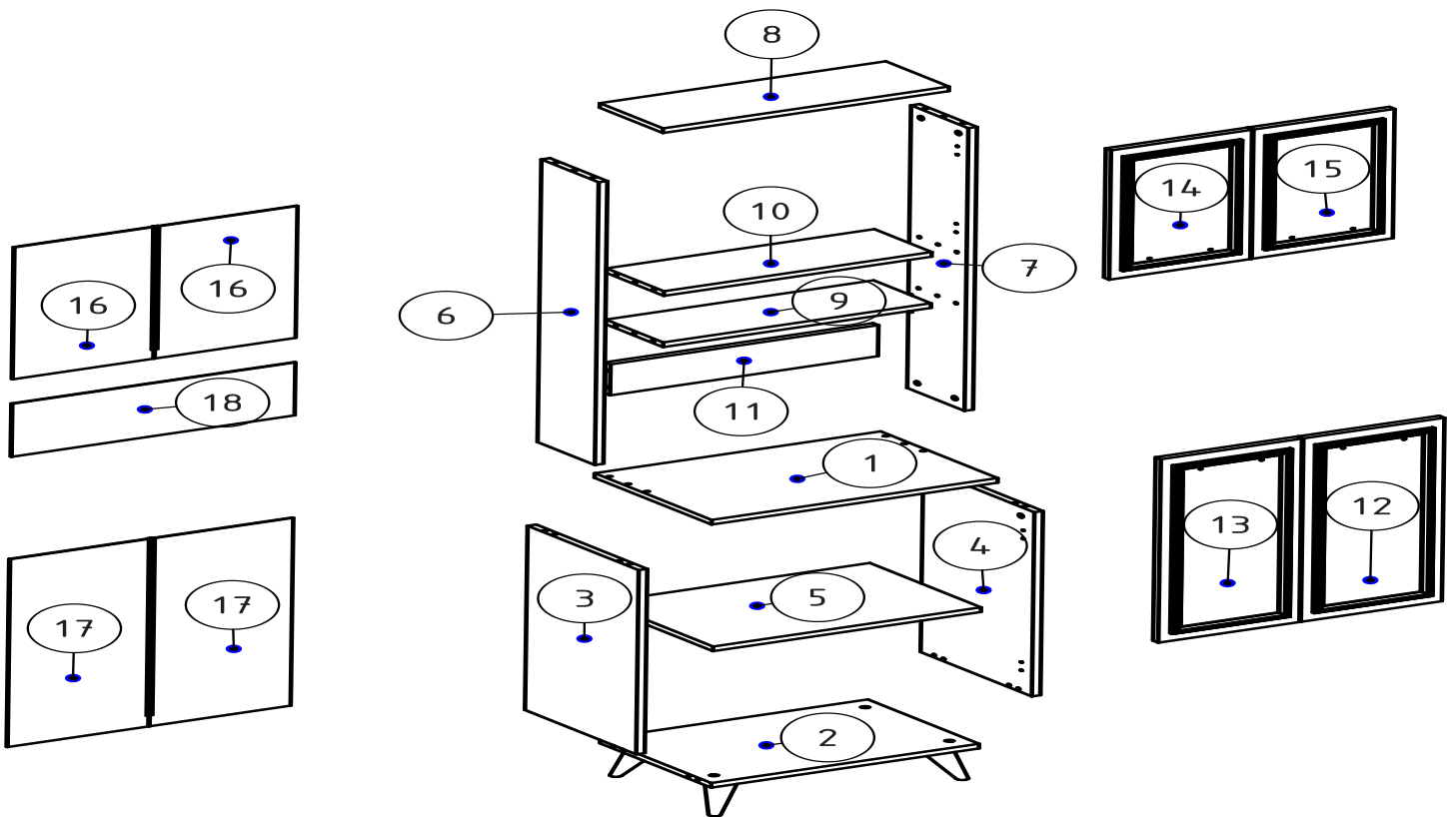


**i** GP042-0340,1

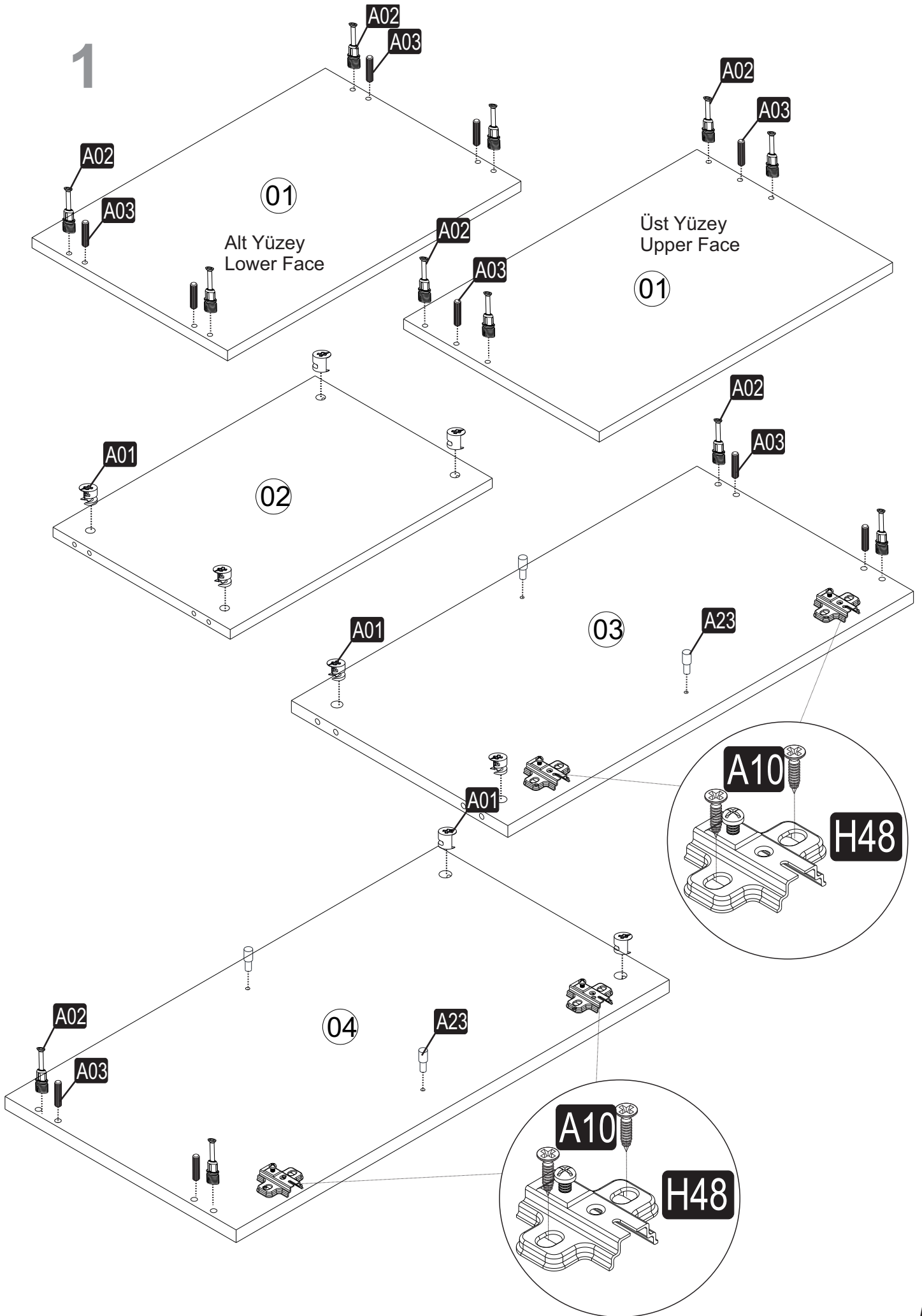


60 x 40 x 196,1cm

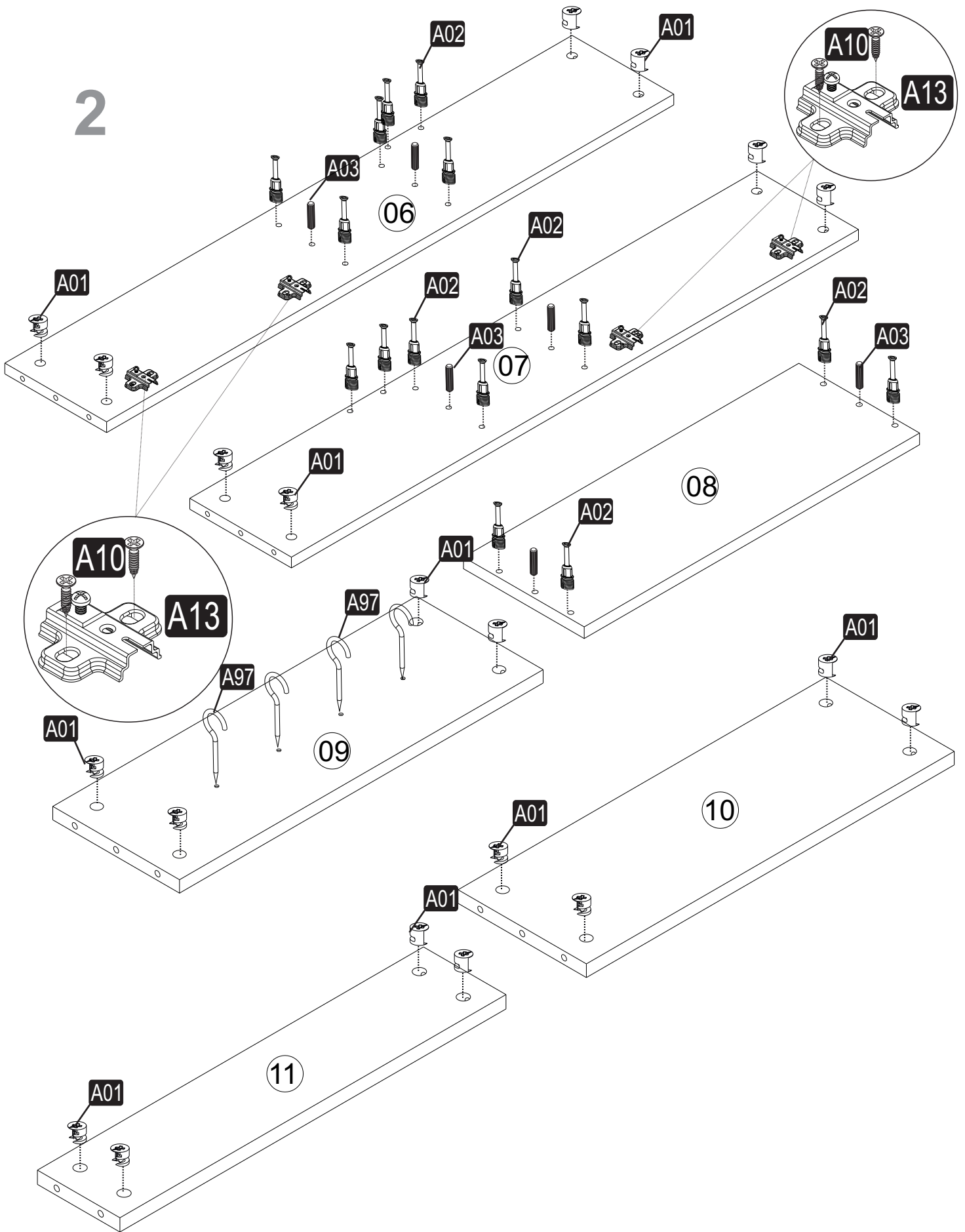
<b>A01</b>  28x	<b>A02</b>  28x	<b>A03</b>  16x	<b>A28</b>  75x	<b>A14</b> M4x22  8x
<b>A04</b>  A 28x	<b>D41</b> 5x70  1x	<b>A10</b> 3,5x18  52x	<b>A25</b>  684 mm 1x	<b>E18</b>  4x
<b>H48</b>  8x	<b>A25</b>  475 mm 1x	<b>A97</b>  4x	<b>A23</b>  4x	<b>A35</b> 12 cm  4x
<b>E17</b>  1x	<b>D69</b>  1x			



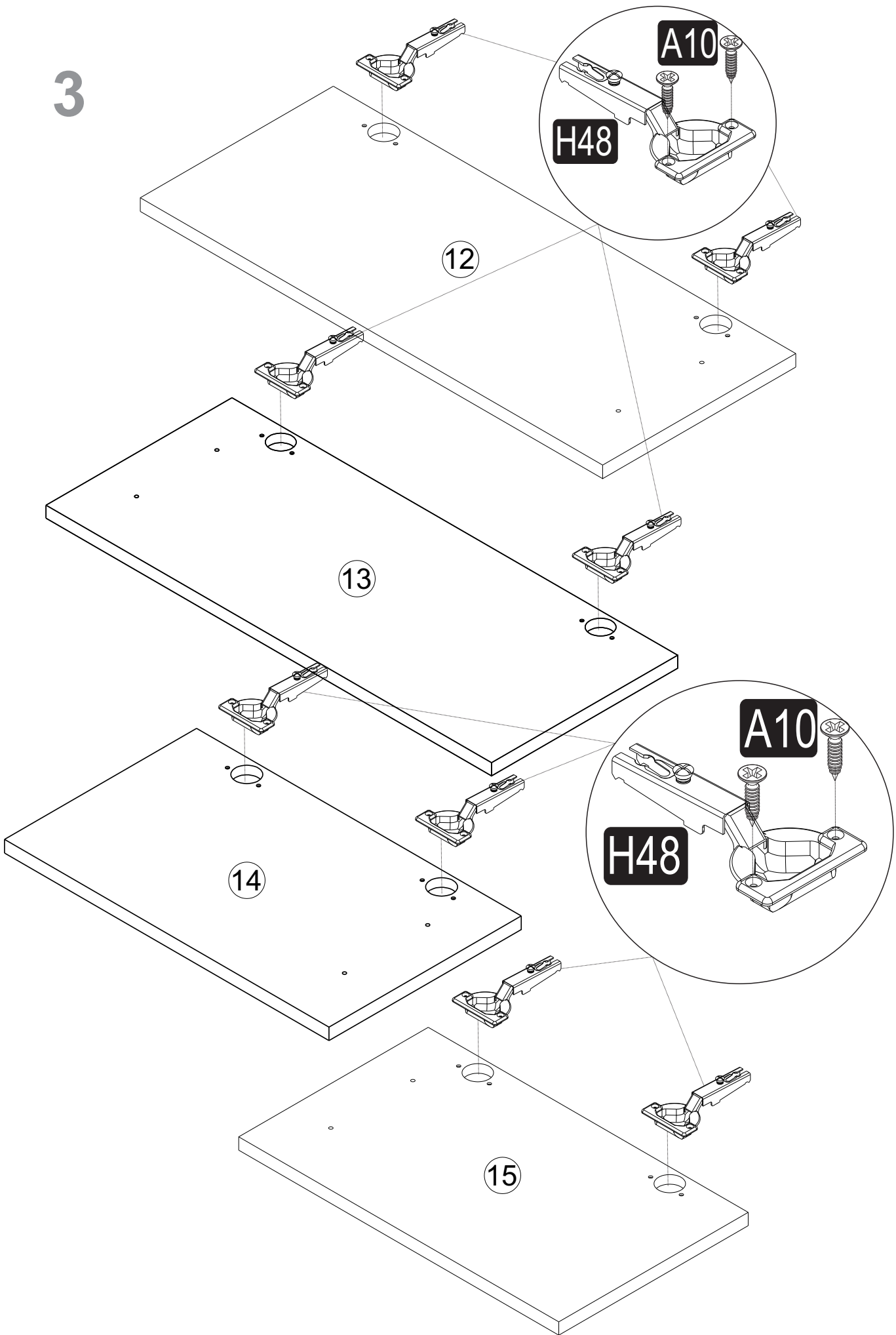
1



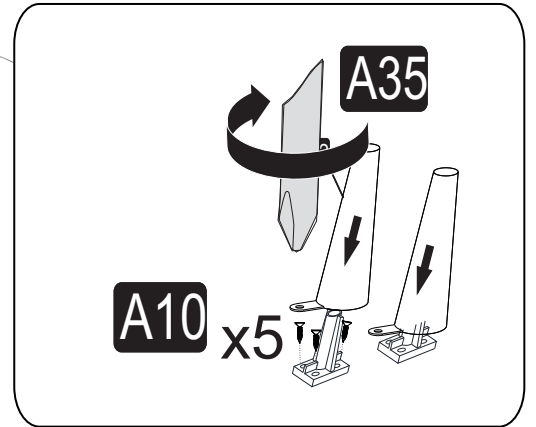
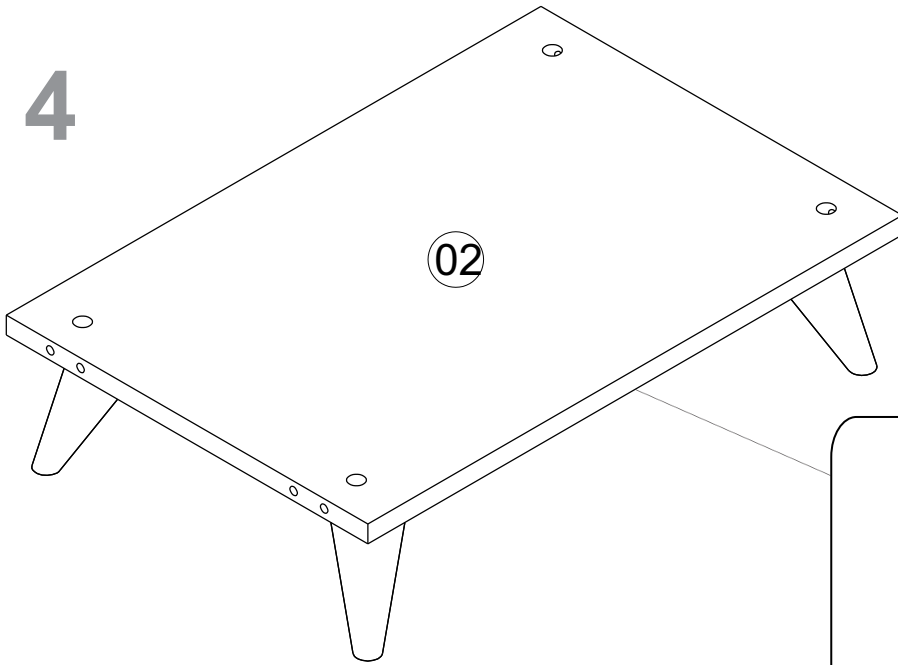
2



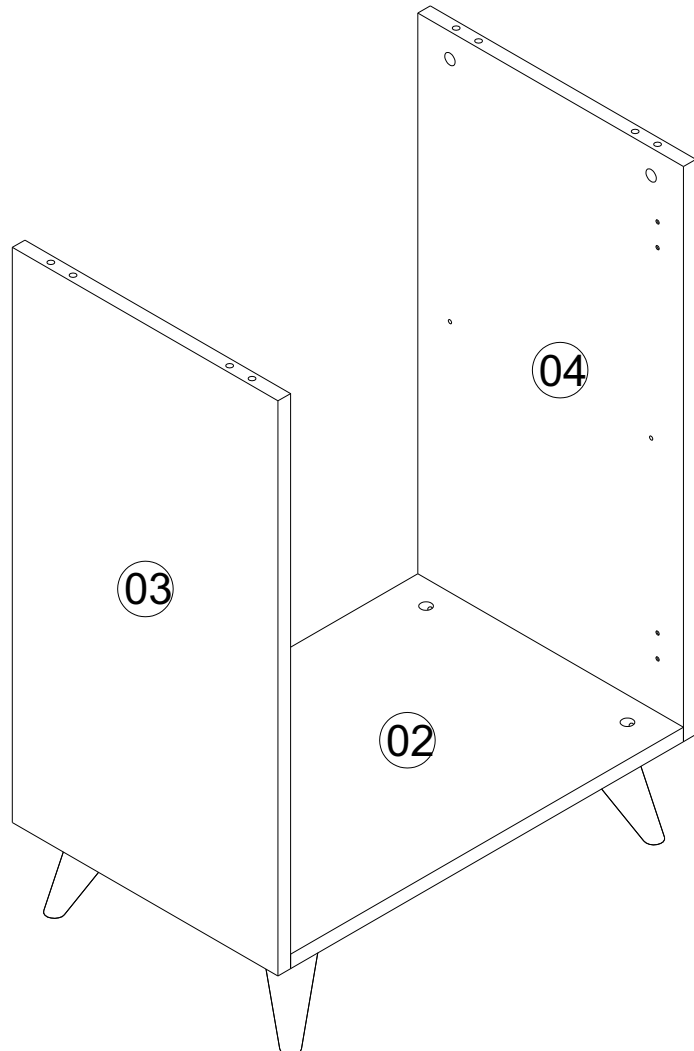
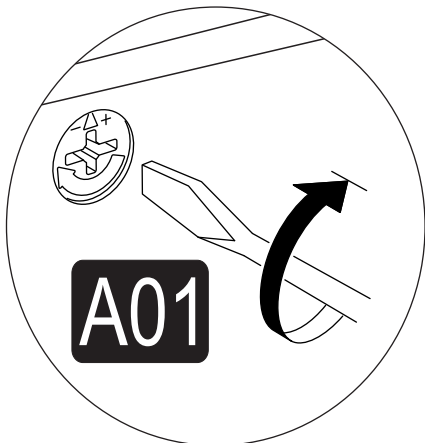
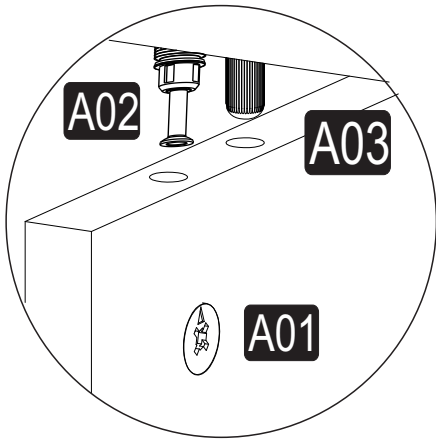
3



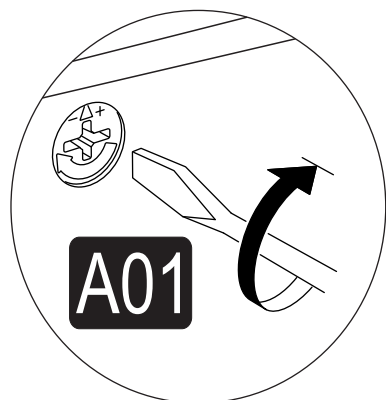
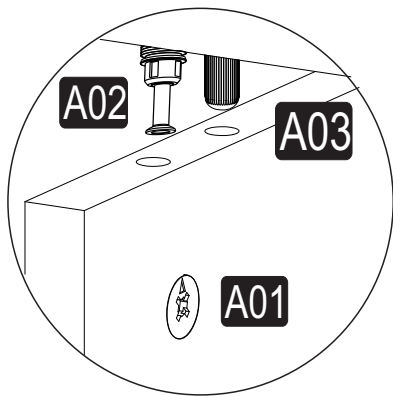
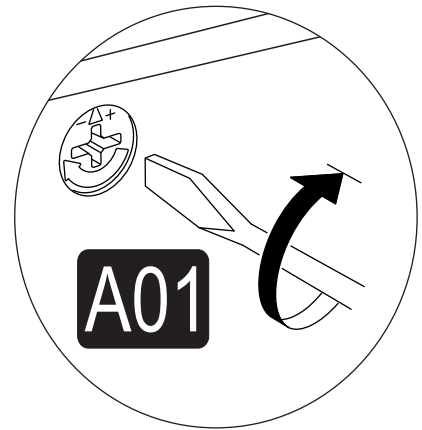
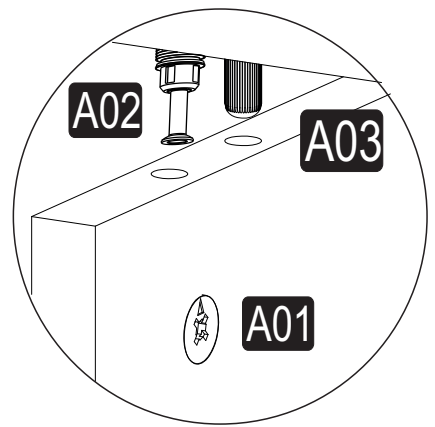
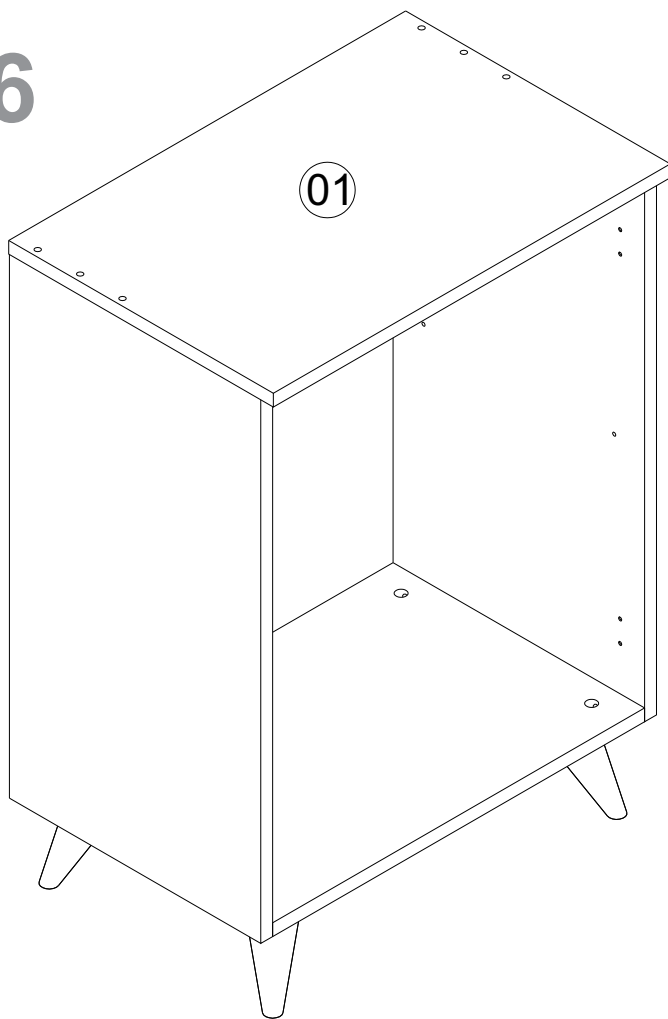
4



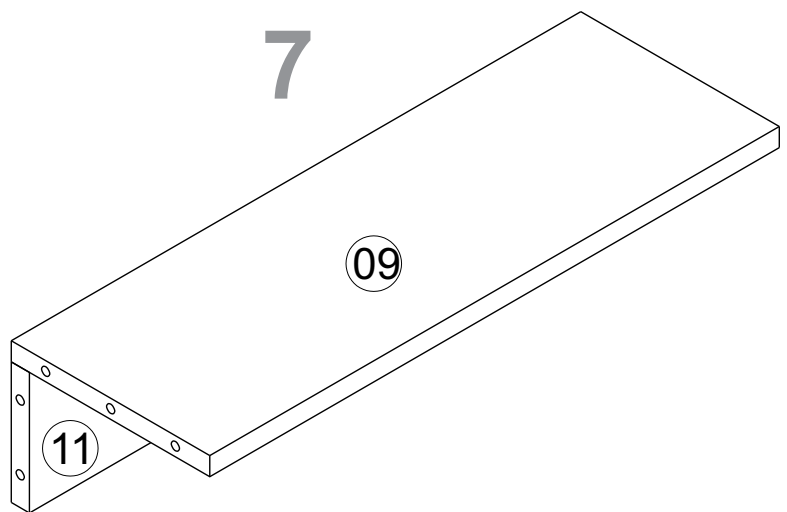
5



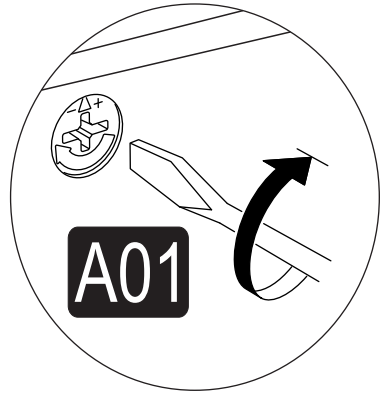
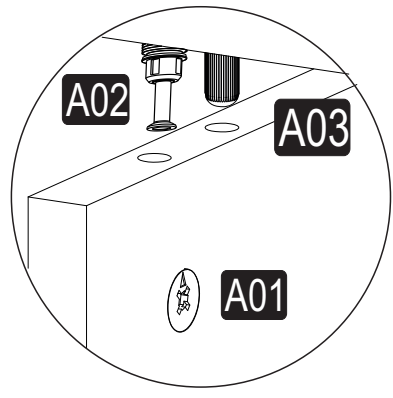
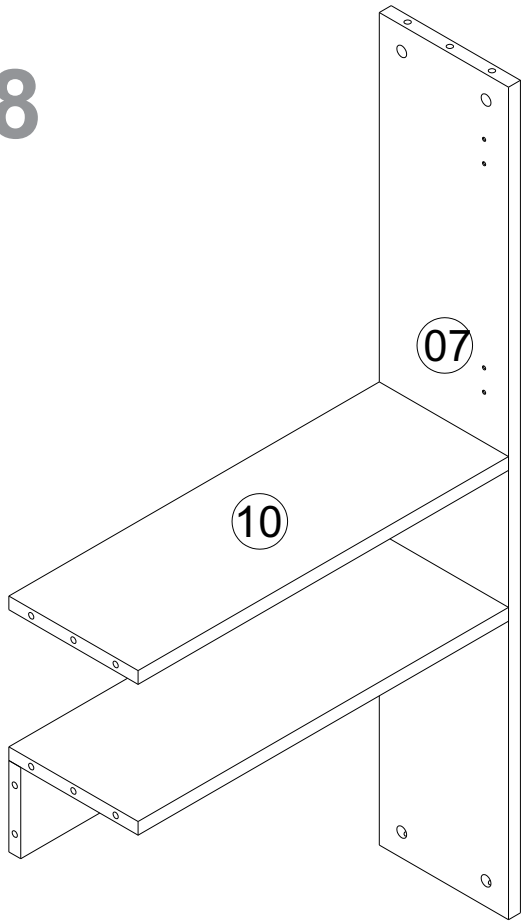
6



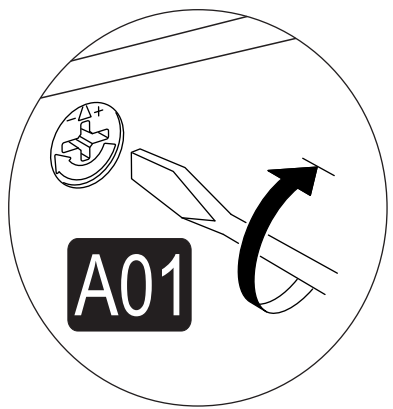
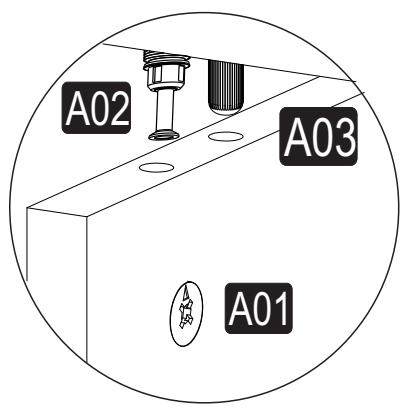
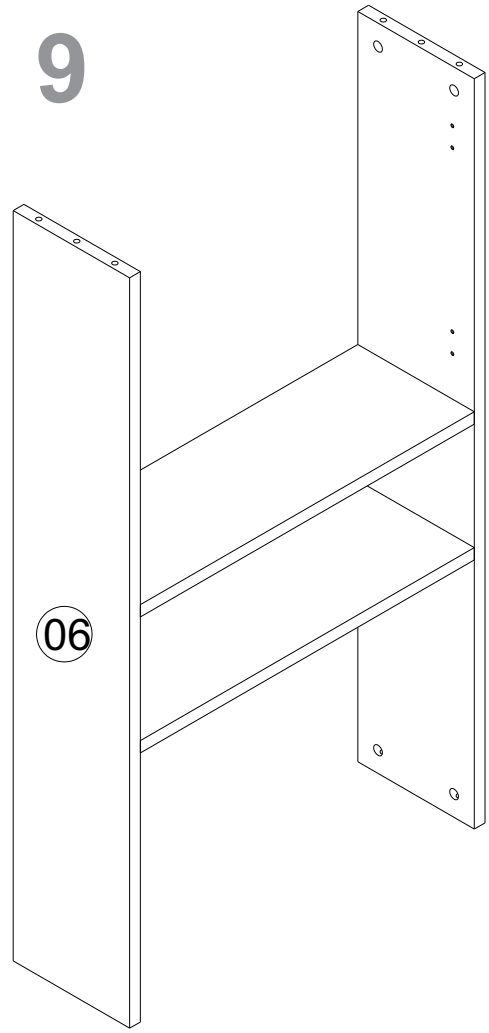
7



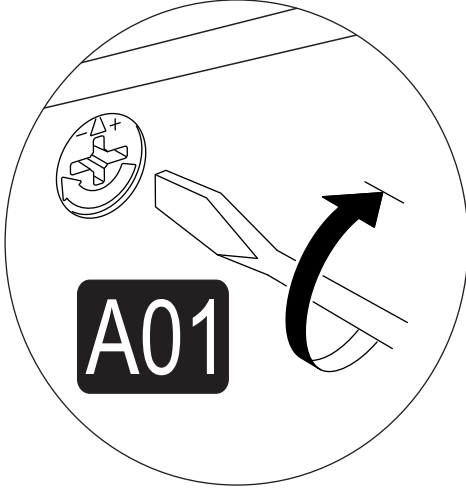
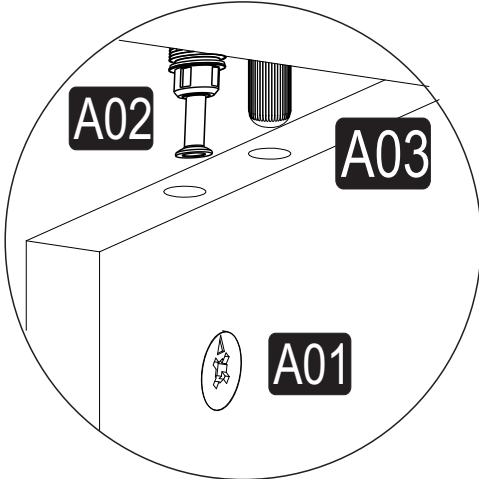
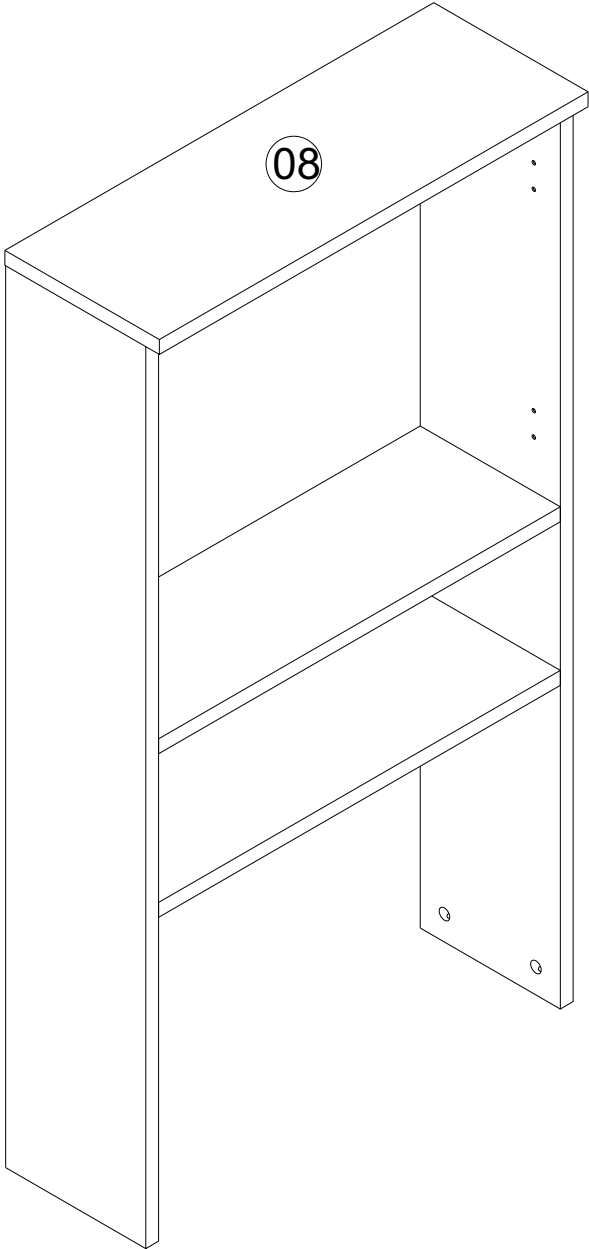
8



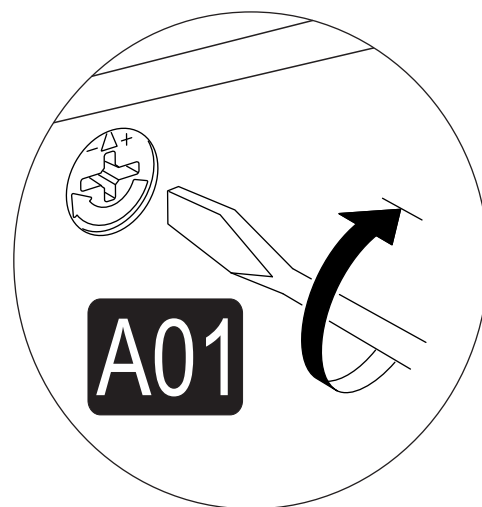
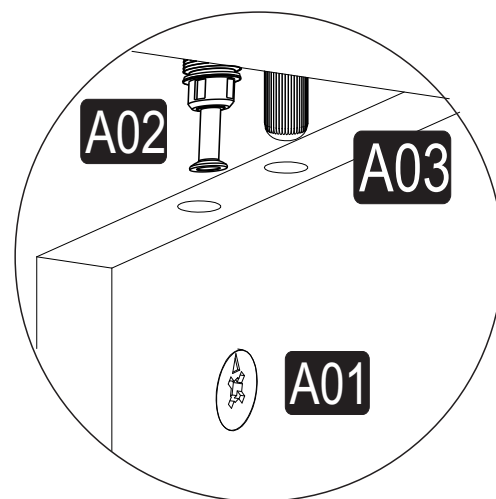
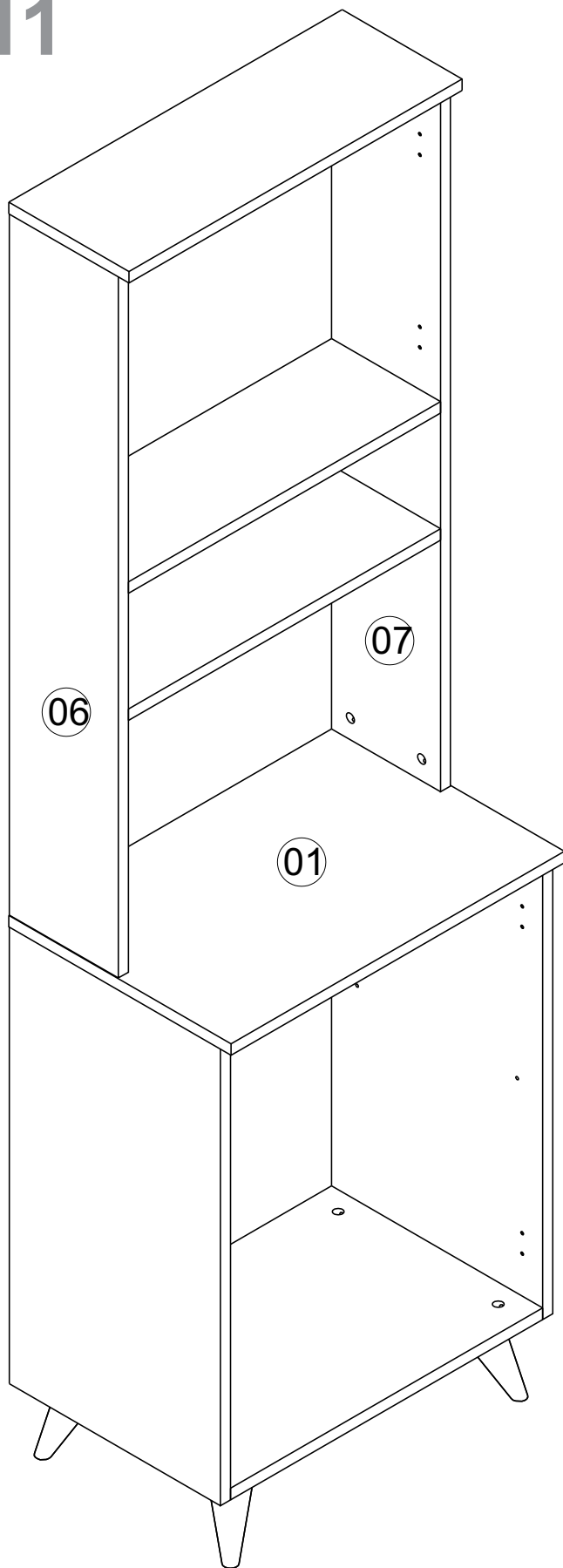
9



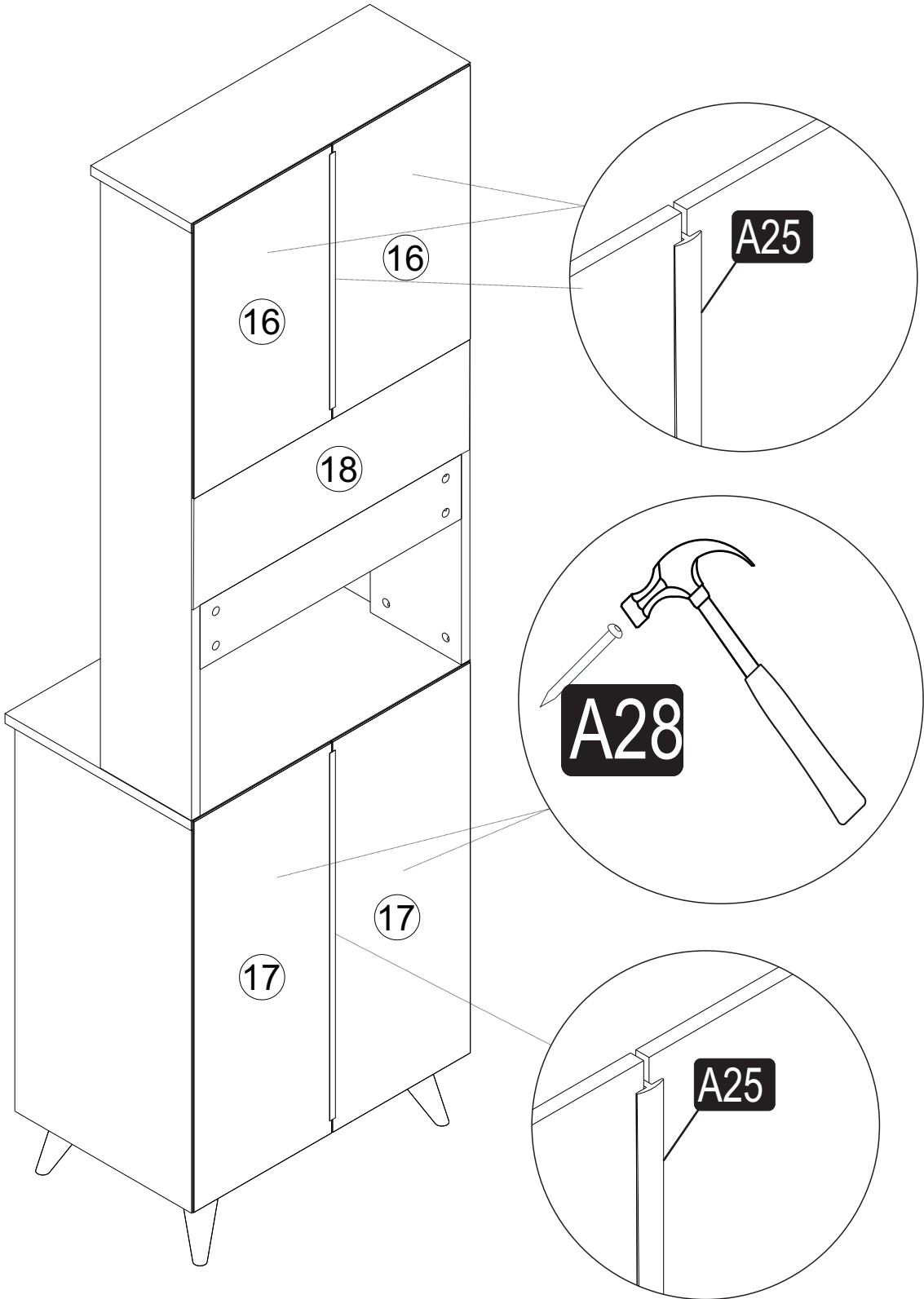
# 10



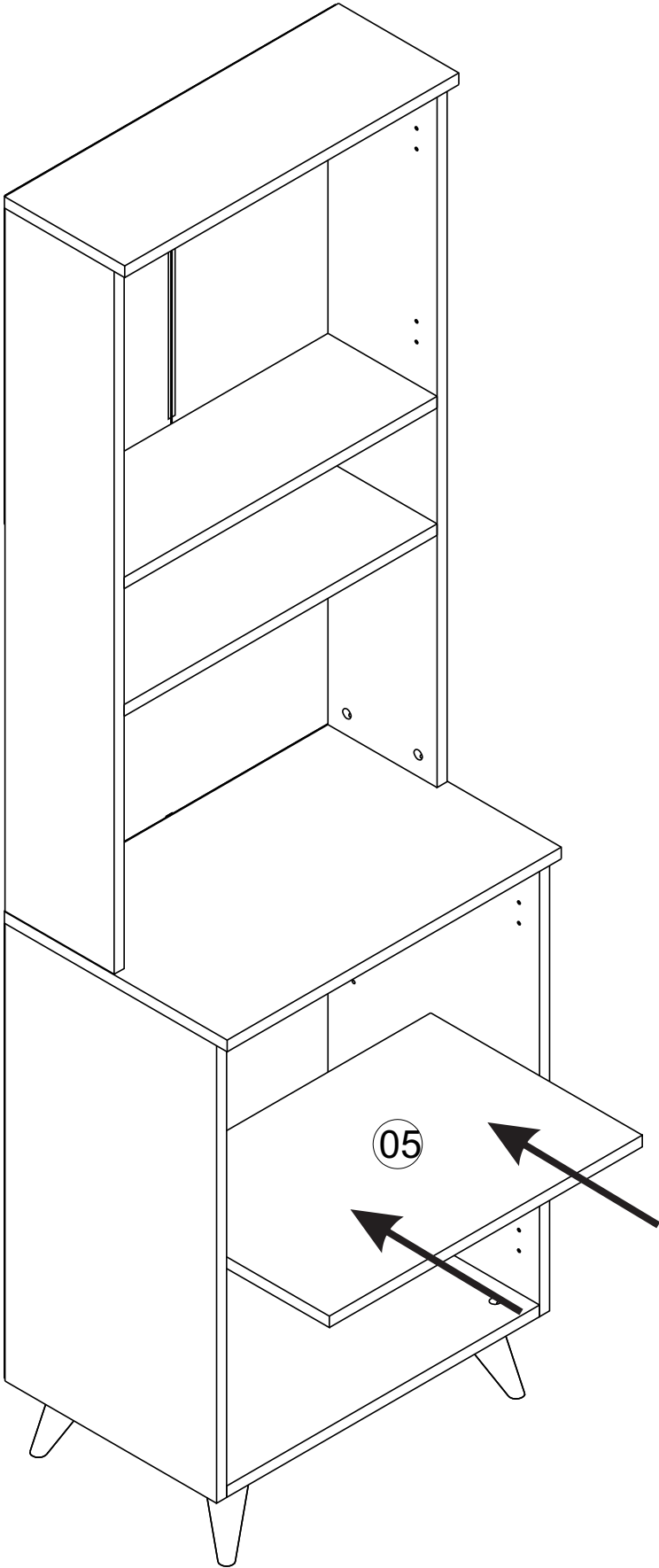
11



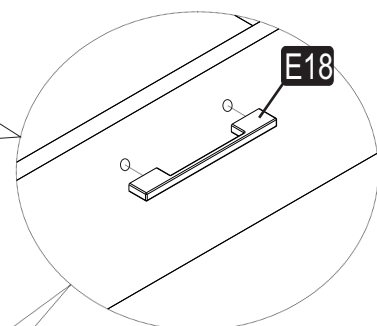
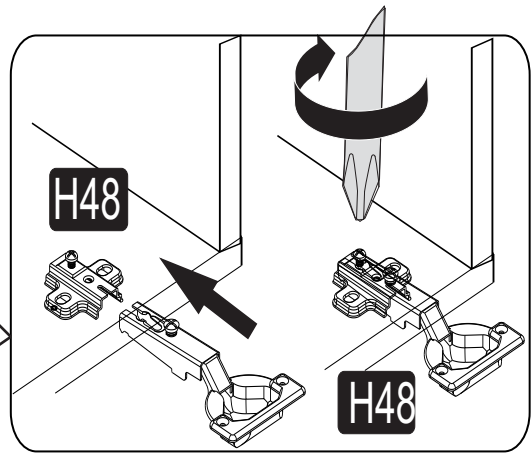
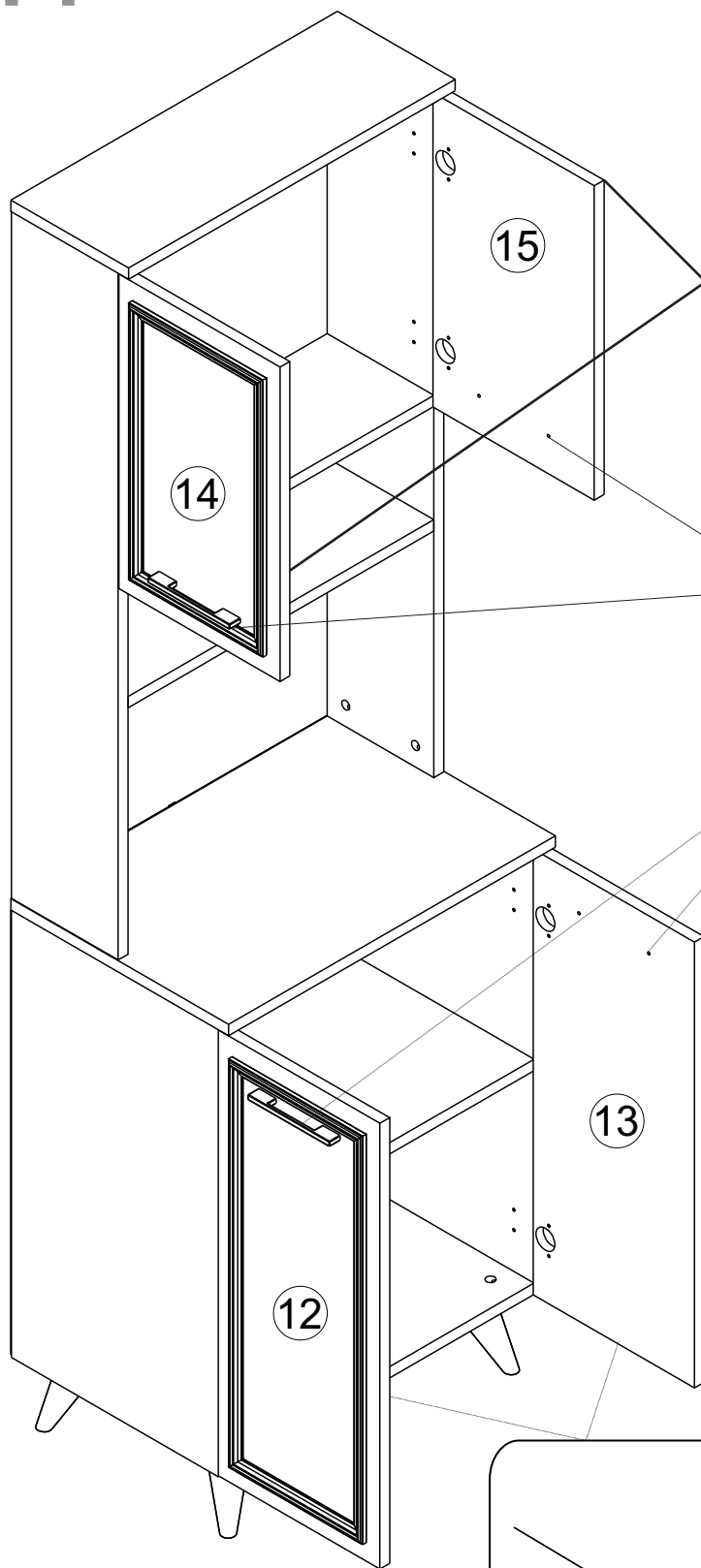
# 12



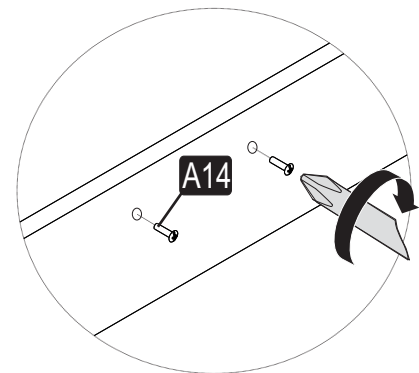
13



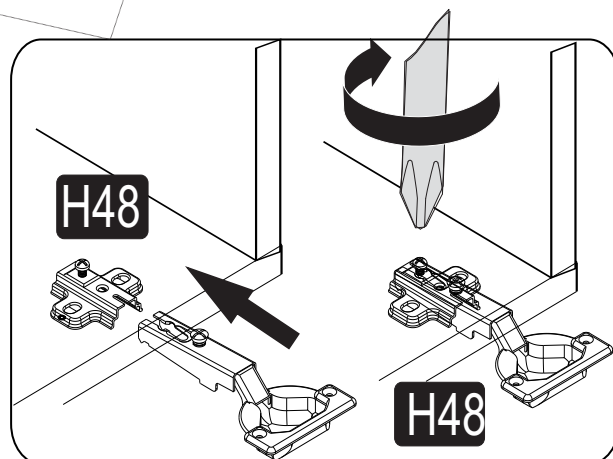
# 14



PART-1



PART-2



15

