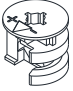
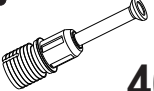




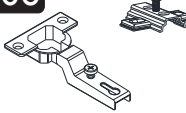


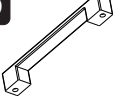
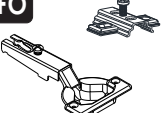

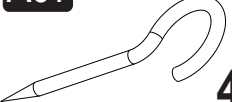
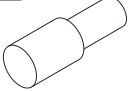
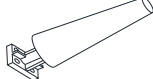
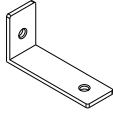
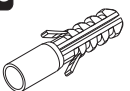

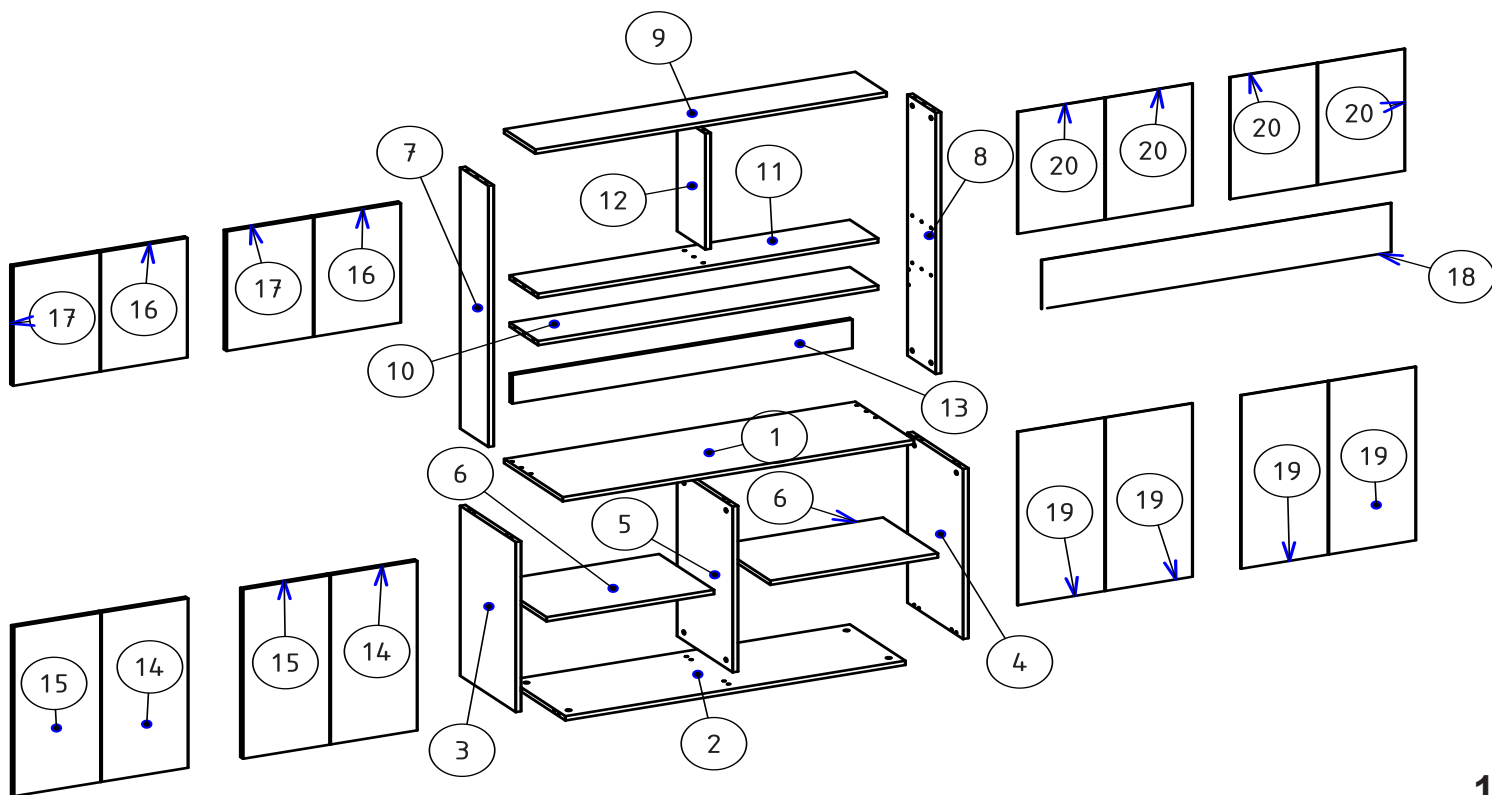


**i** GP042-0342,1

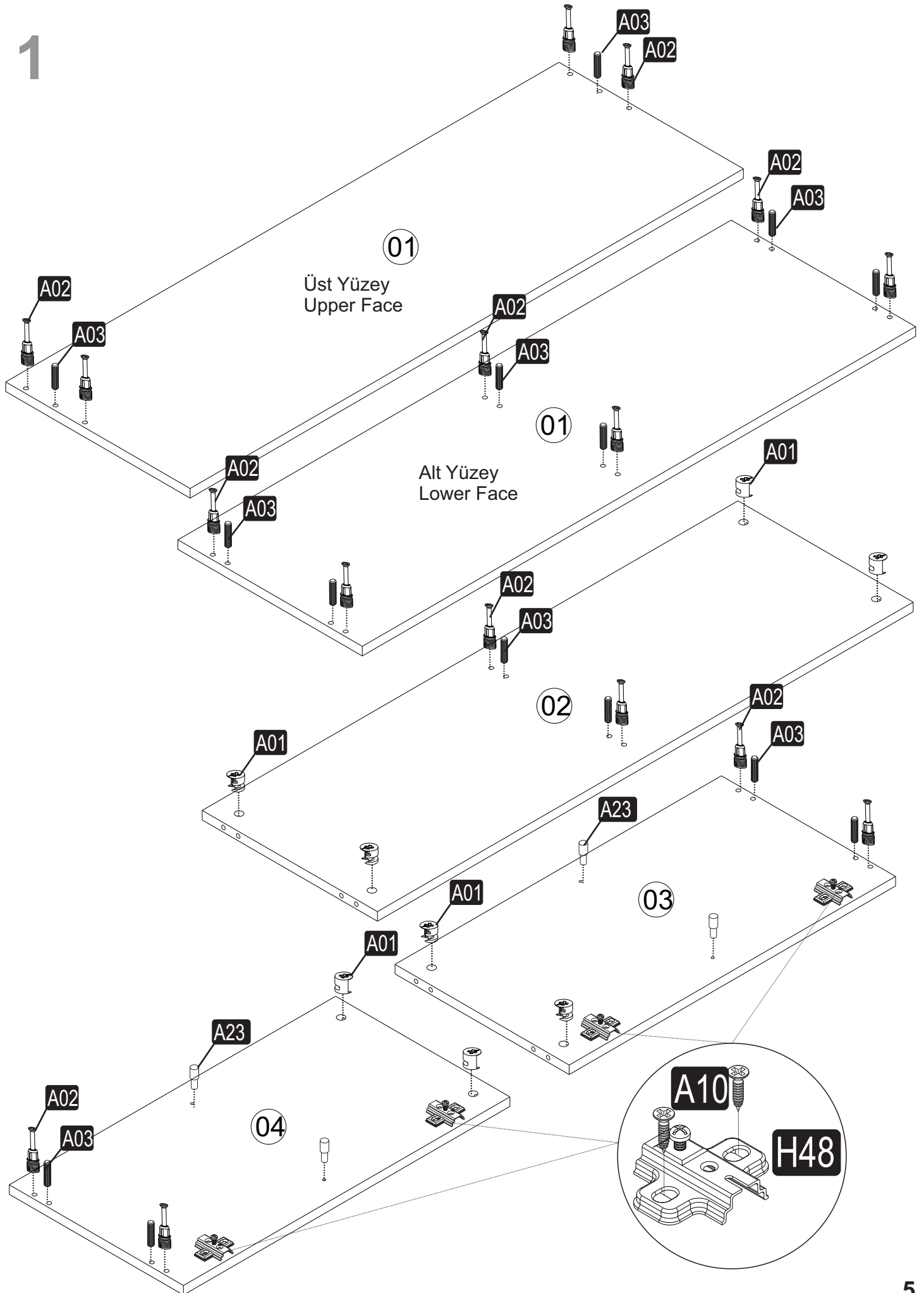


120 x 40 x 196,1cm

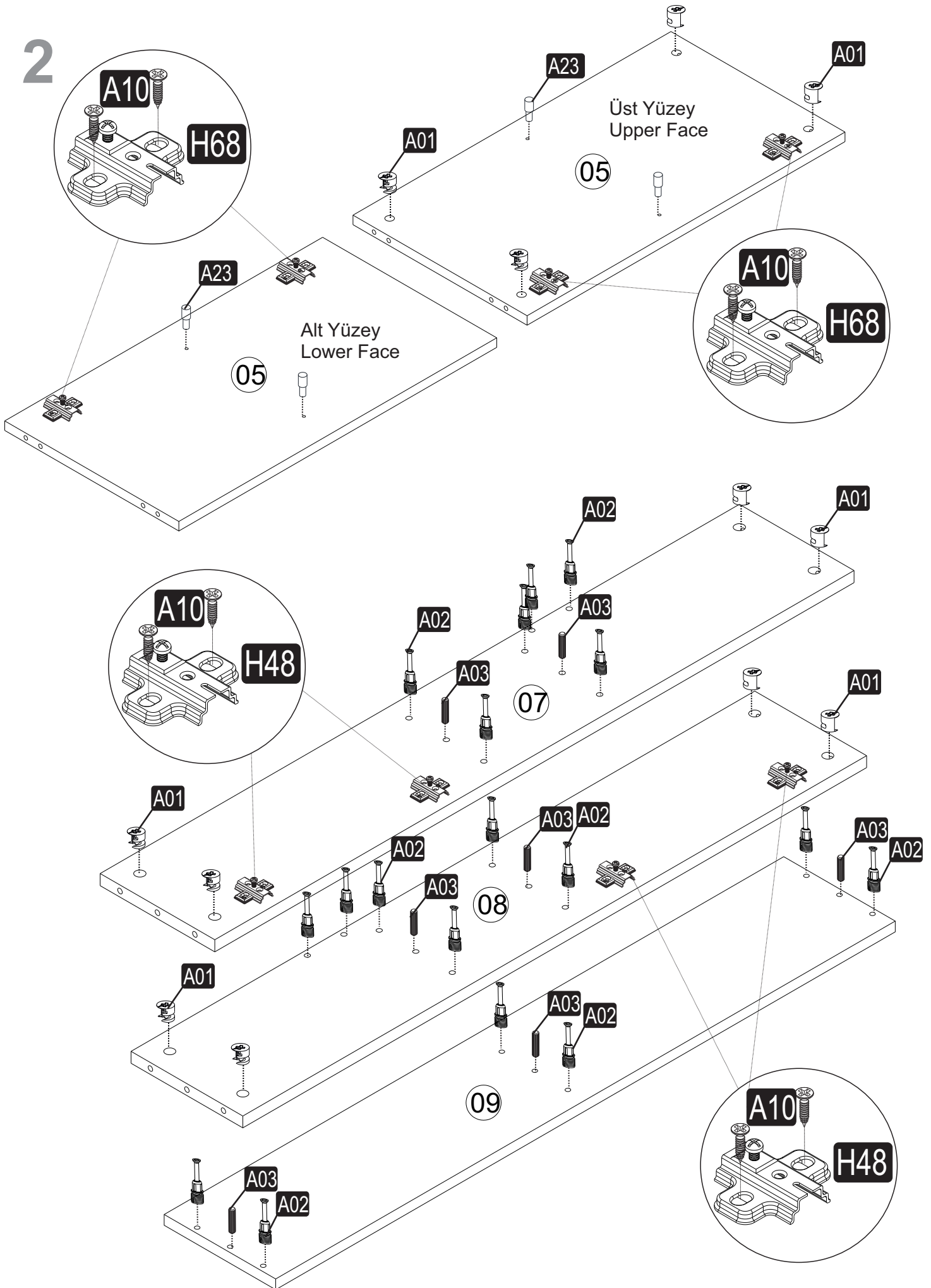
<b>A01</b>  <b>40x</b>	<b>A02</b>  <b>40x</b>	<b>A03</b>  <b>22x</b>	<b>A28</b>  <b>147x</b>	<b>A14</b> M4x22  <b>16x</b>
<b>A04</b>  <b>A 40x</b>	<b>H68</b>  <b>8x</b>	<b>A10</b> 3,5x18  <b>89x</b>	<b>A25</b>  684 mm <b>2x</b>	<b>E18</b>  <b>8x</b>
<b>H48</b>  <b>8x</b>	<b>A25</b>  475 mm <b>2x</b>	<b>A97</b>  <b>4x</b>	<b>A23</b>  <b>8x</b>	<b>A35</b> 12 cm  <b>5x</b>
<b>E17</b>  <b>1x</b>	<b>D69</b>  <b>1x</b>	<b>D41</b> 5x70  <b>1x</b>		



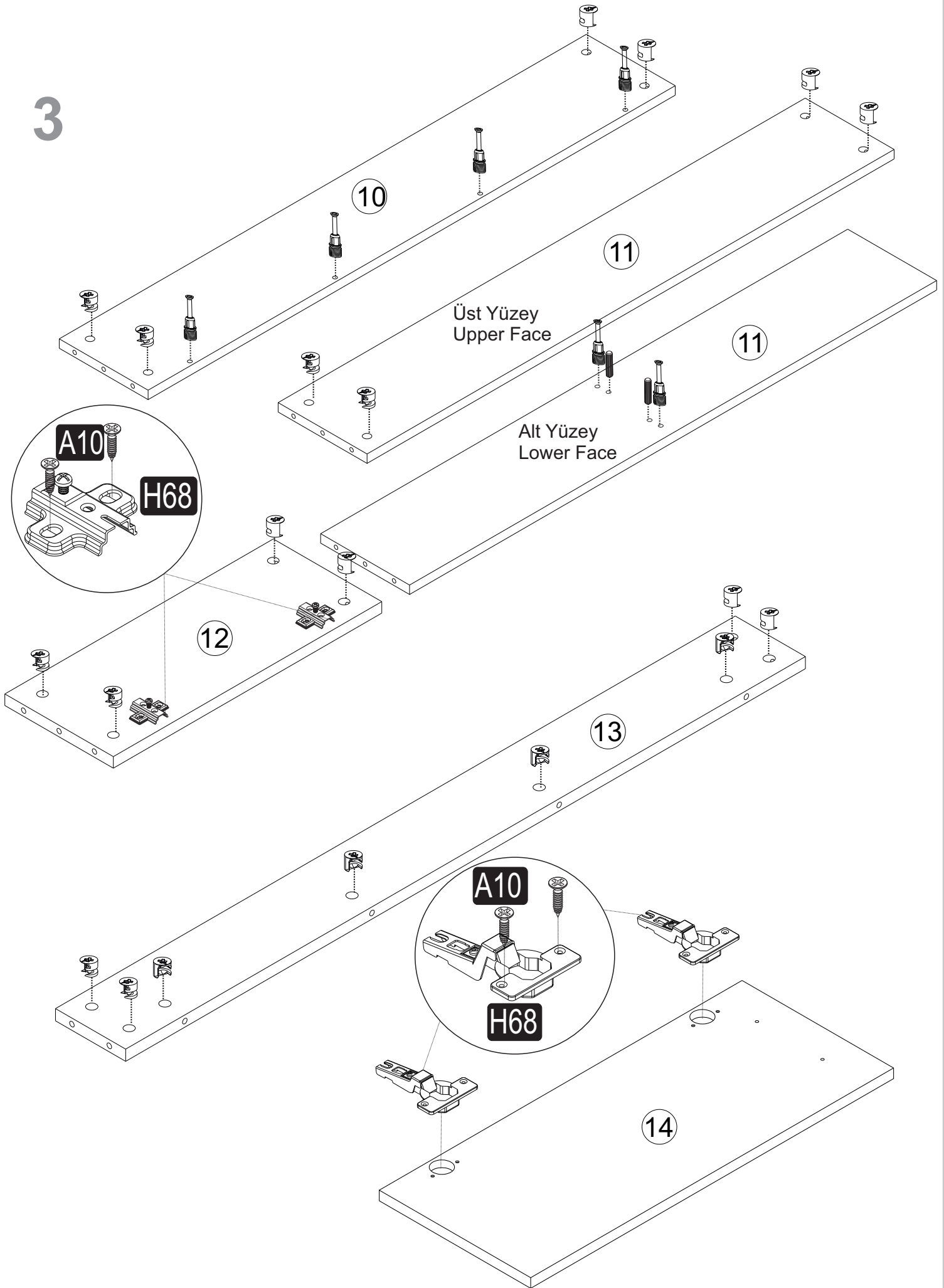
1



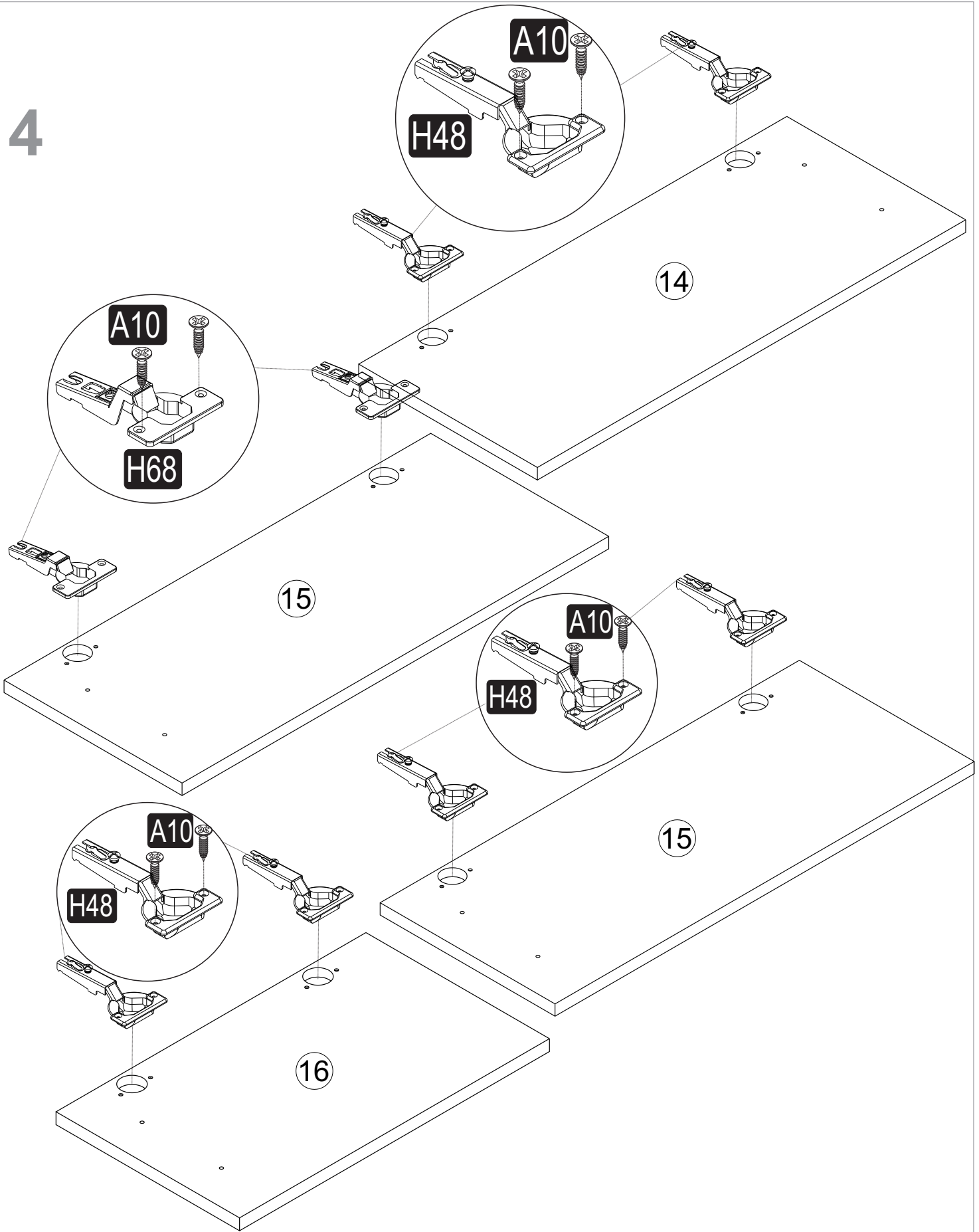
2



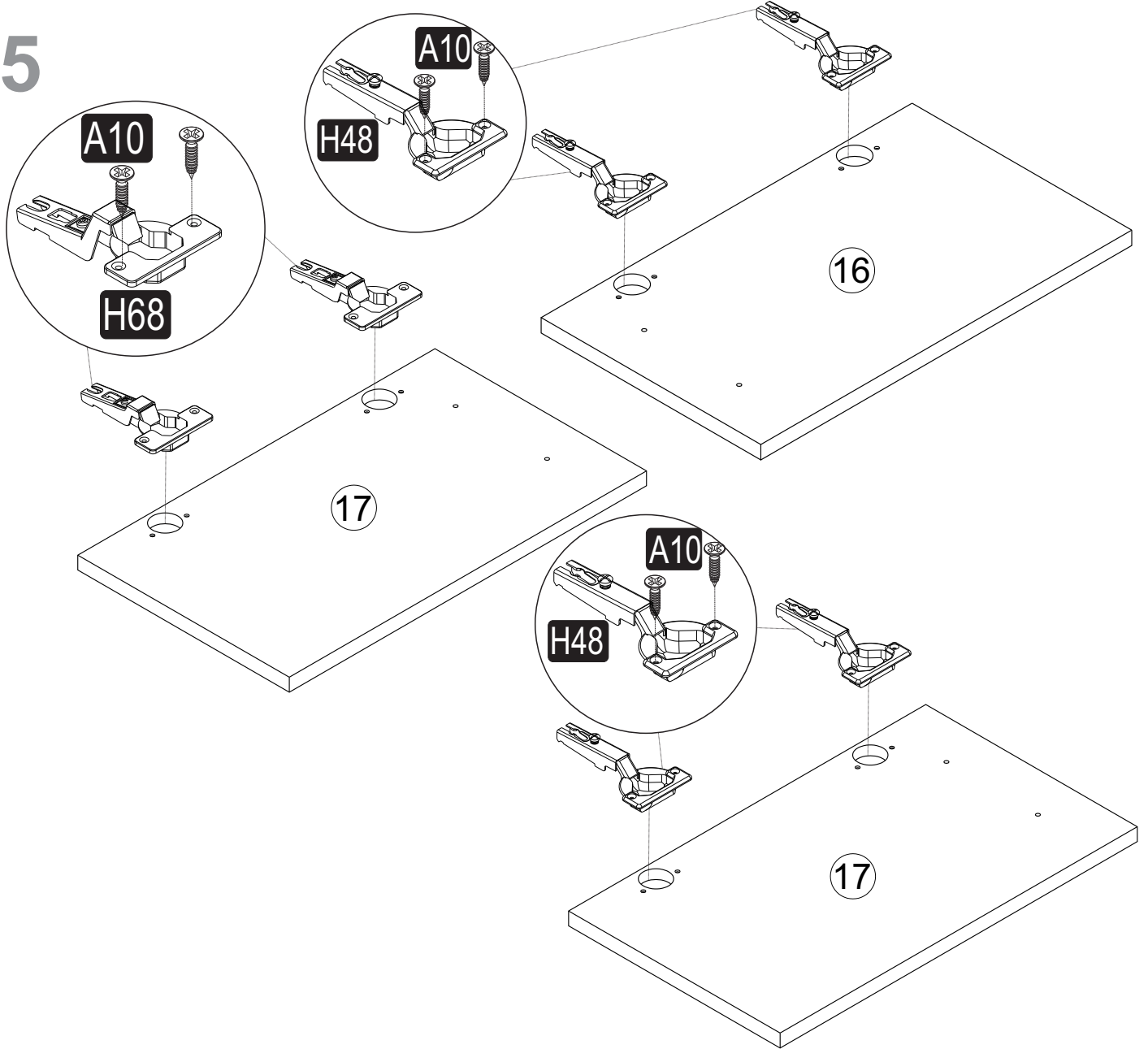
3



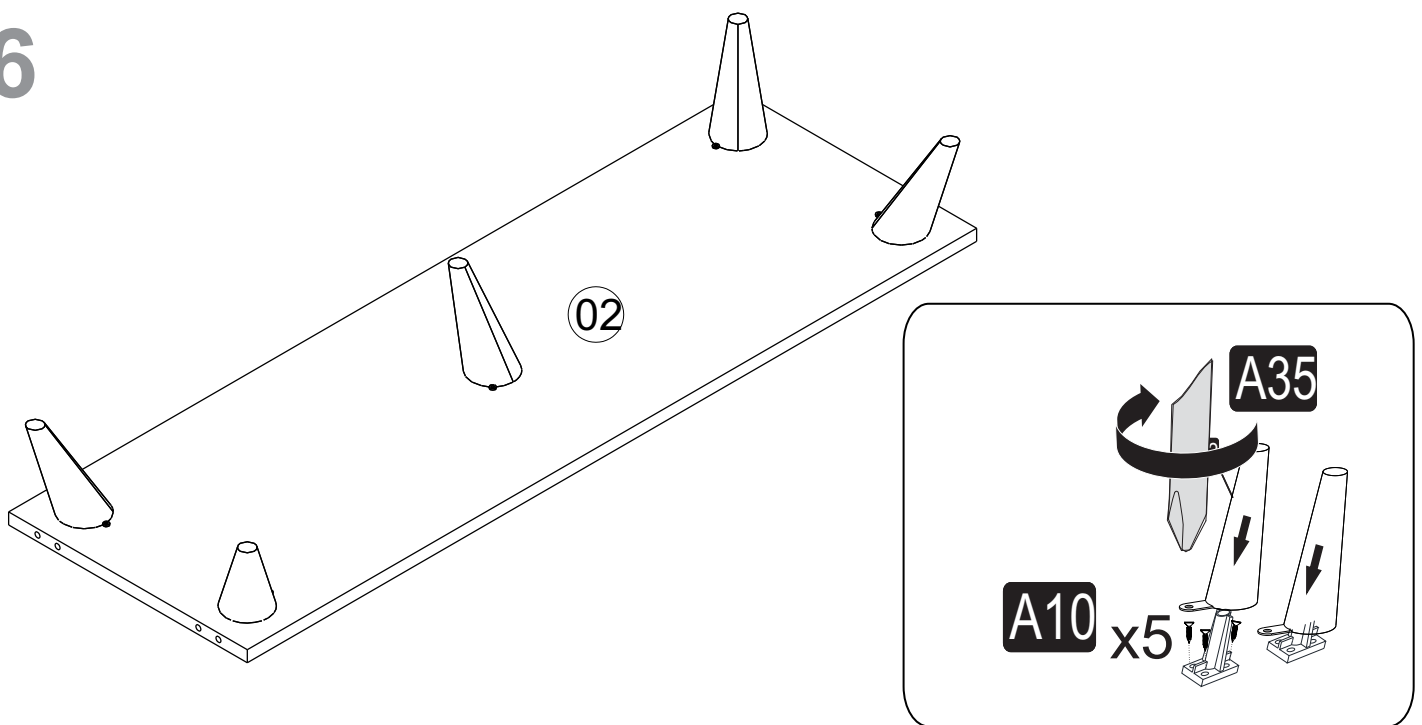
4



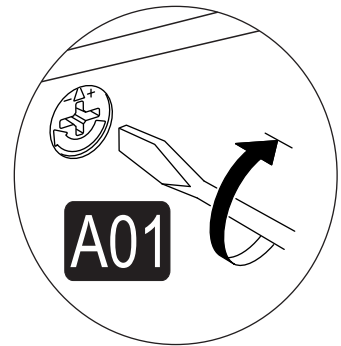
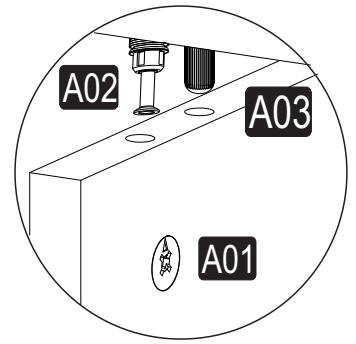
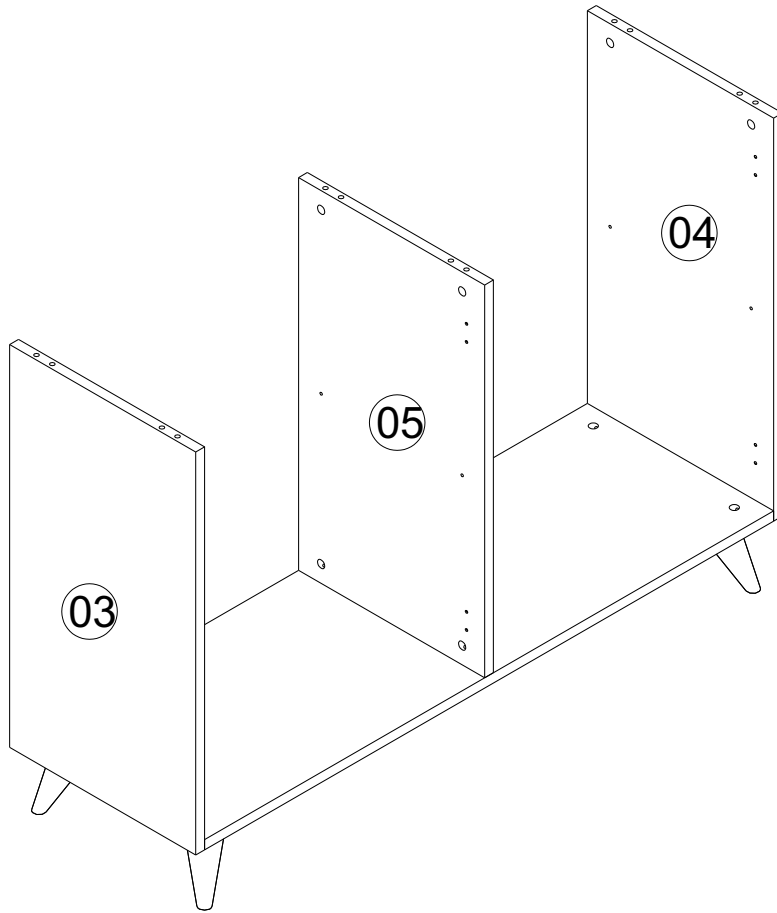
5



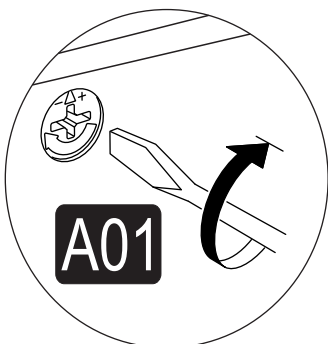
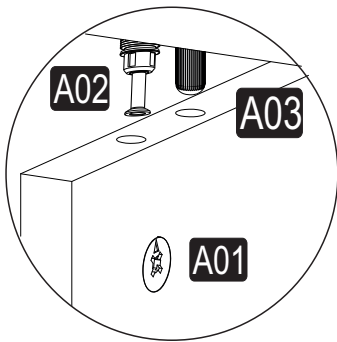
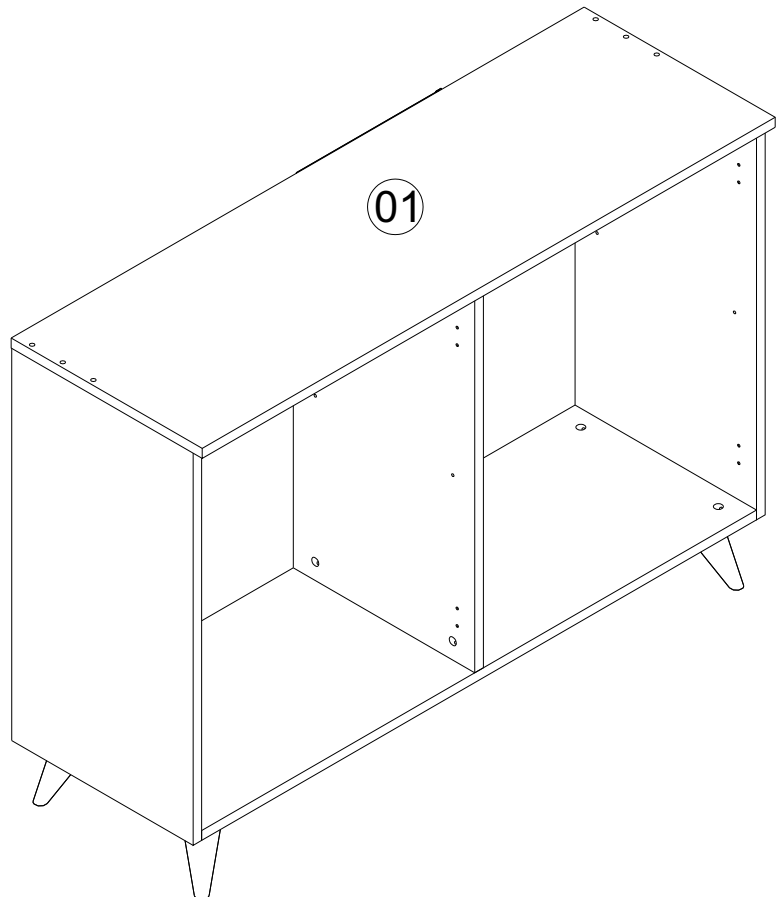
6



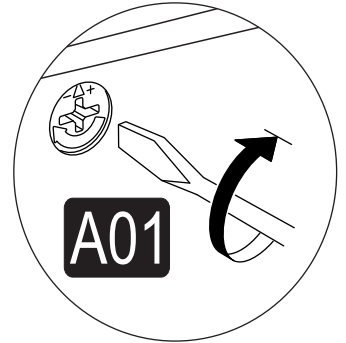
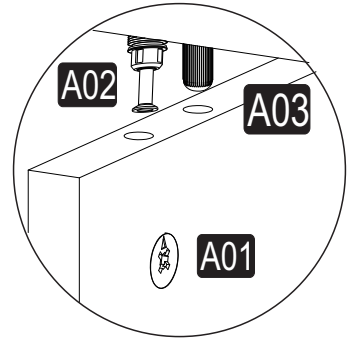
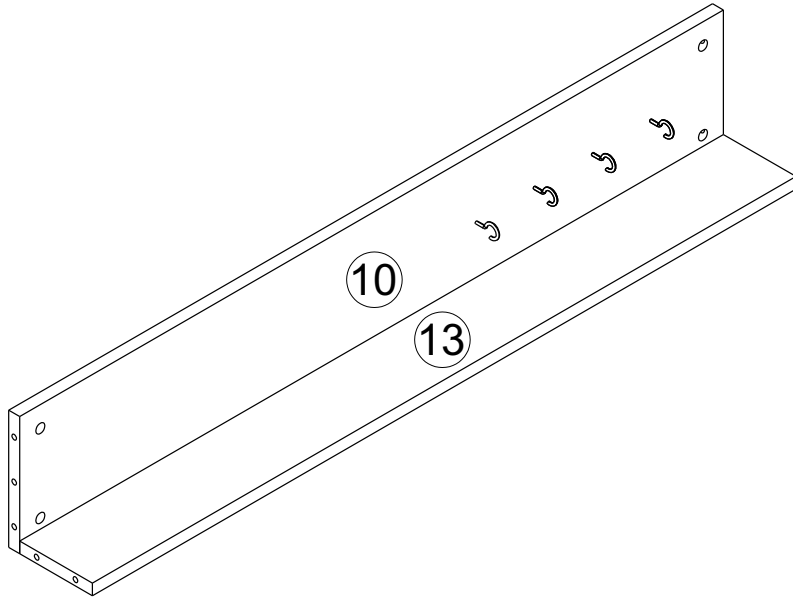
7



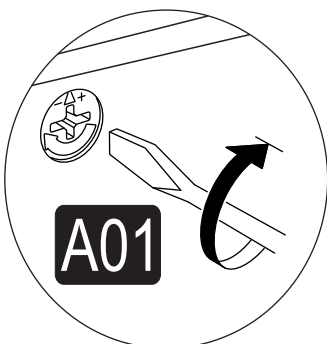
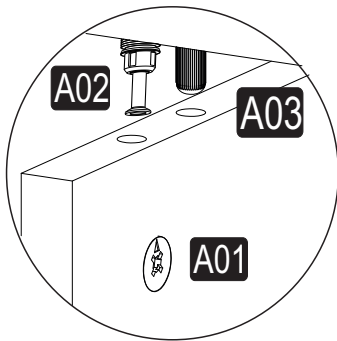
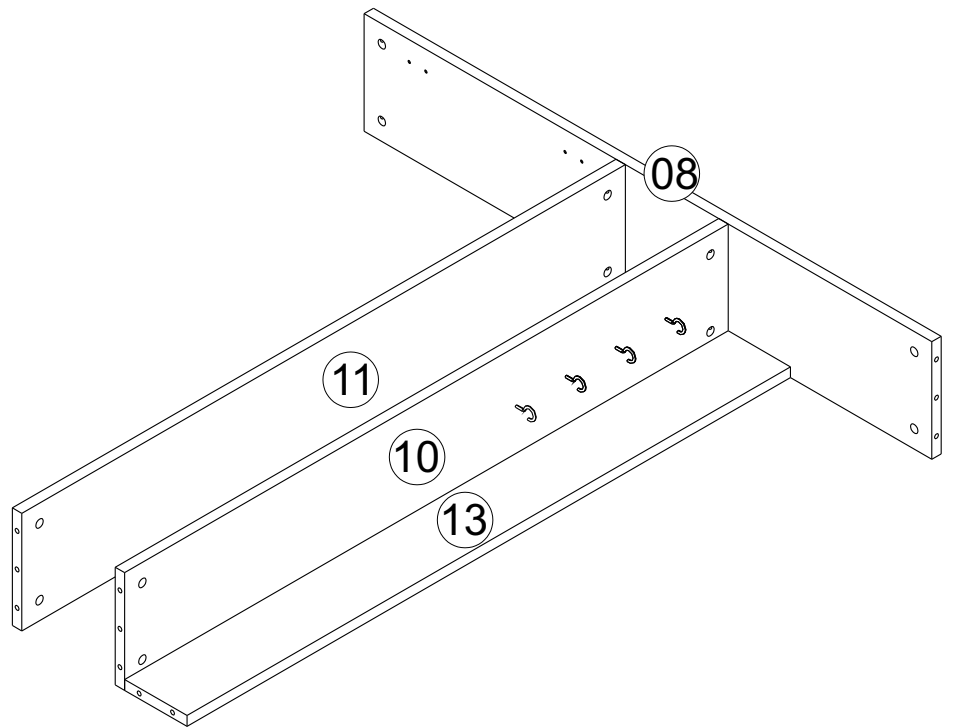
8



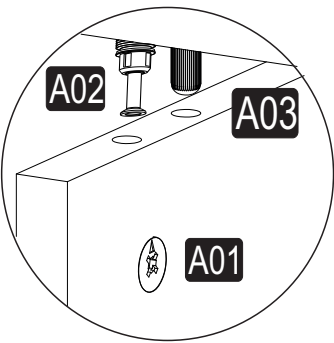
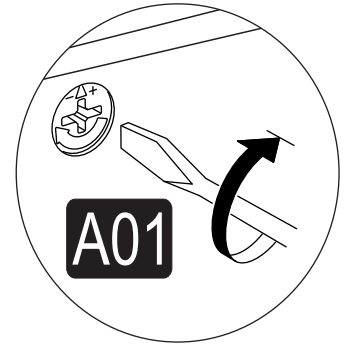
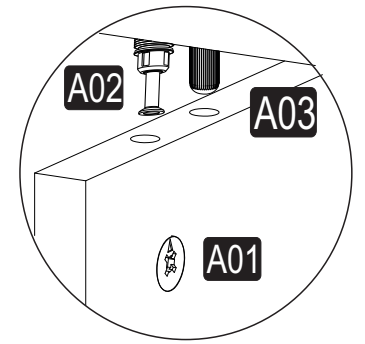
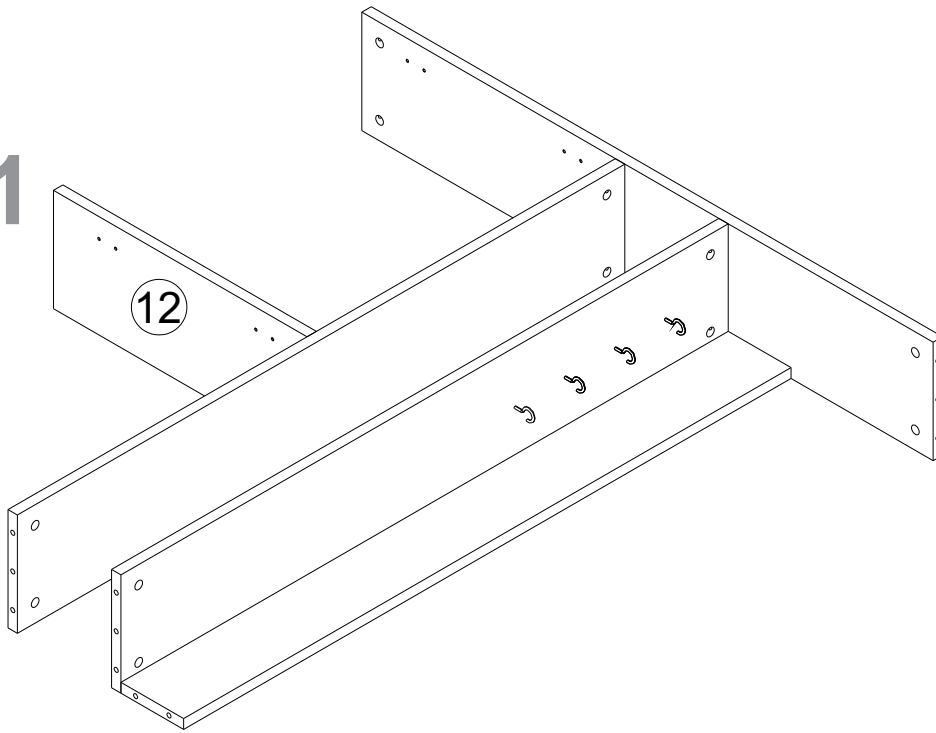
9



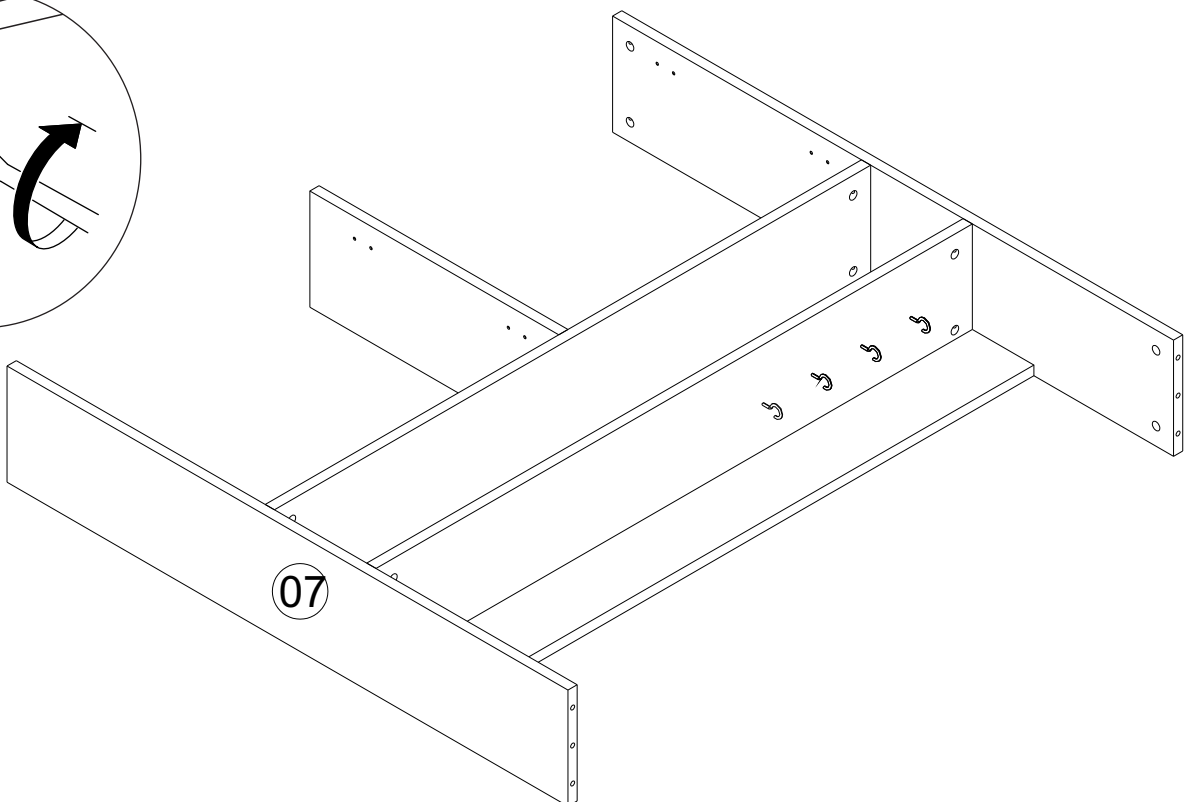
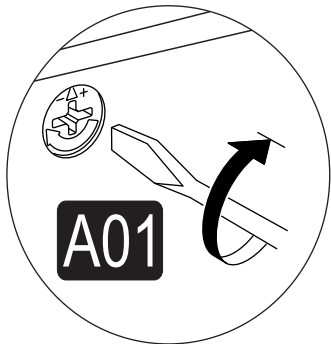
10



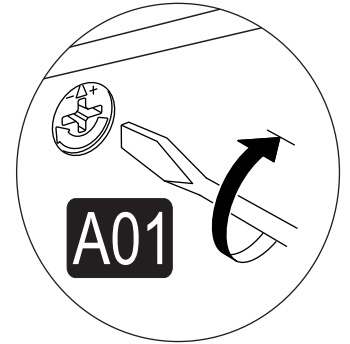
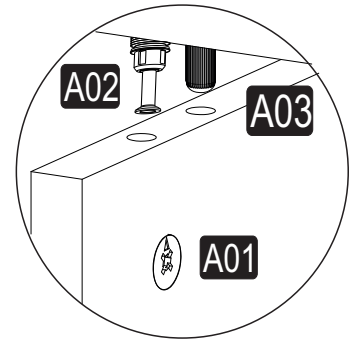
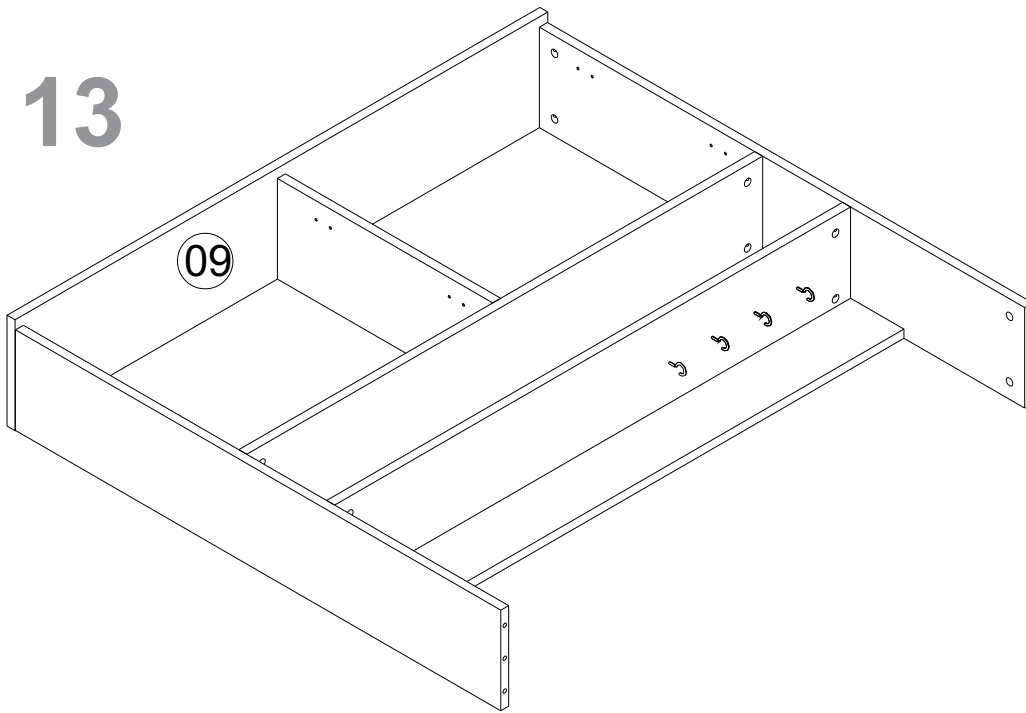
11



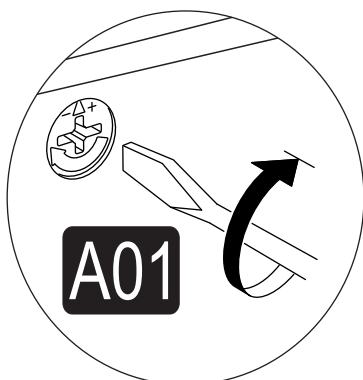
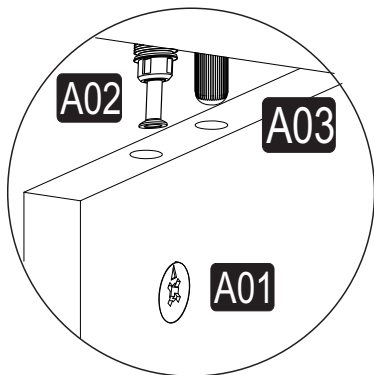
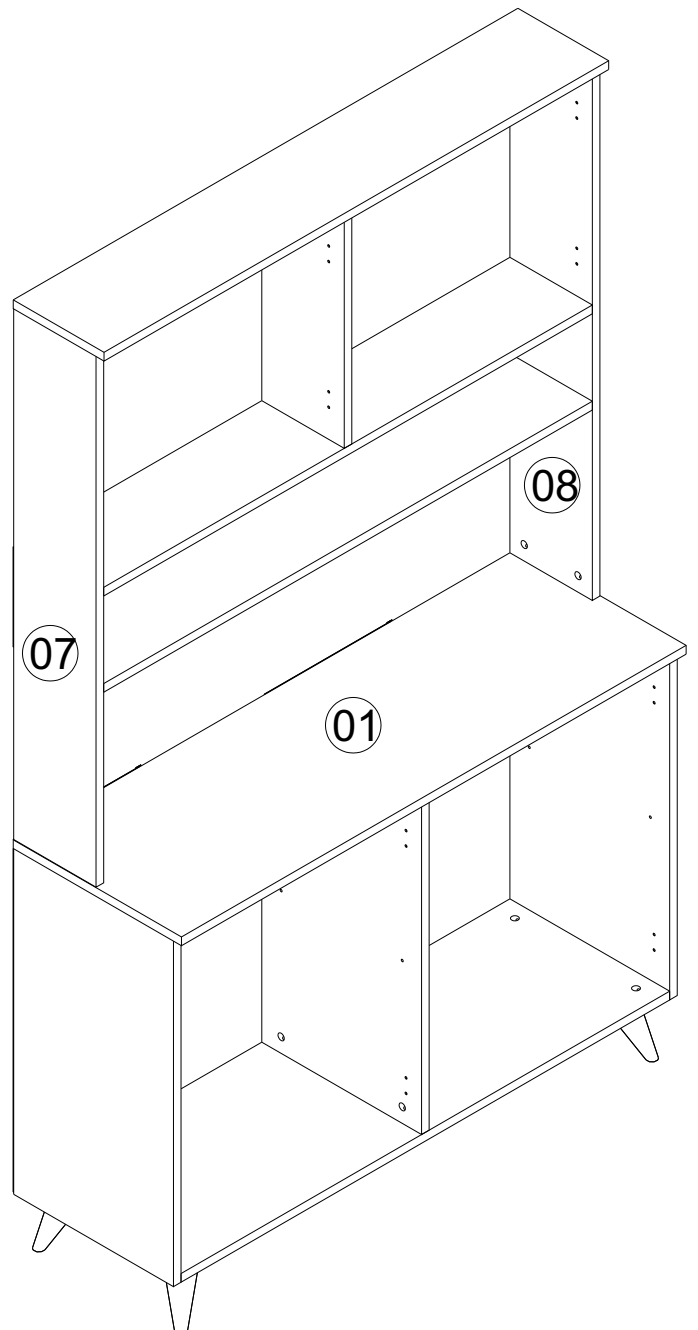
12



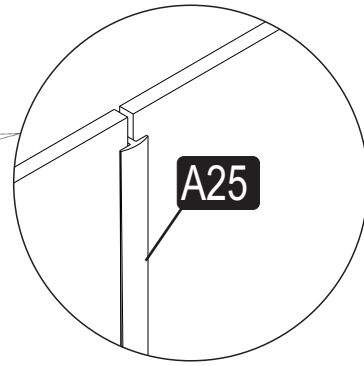
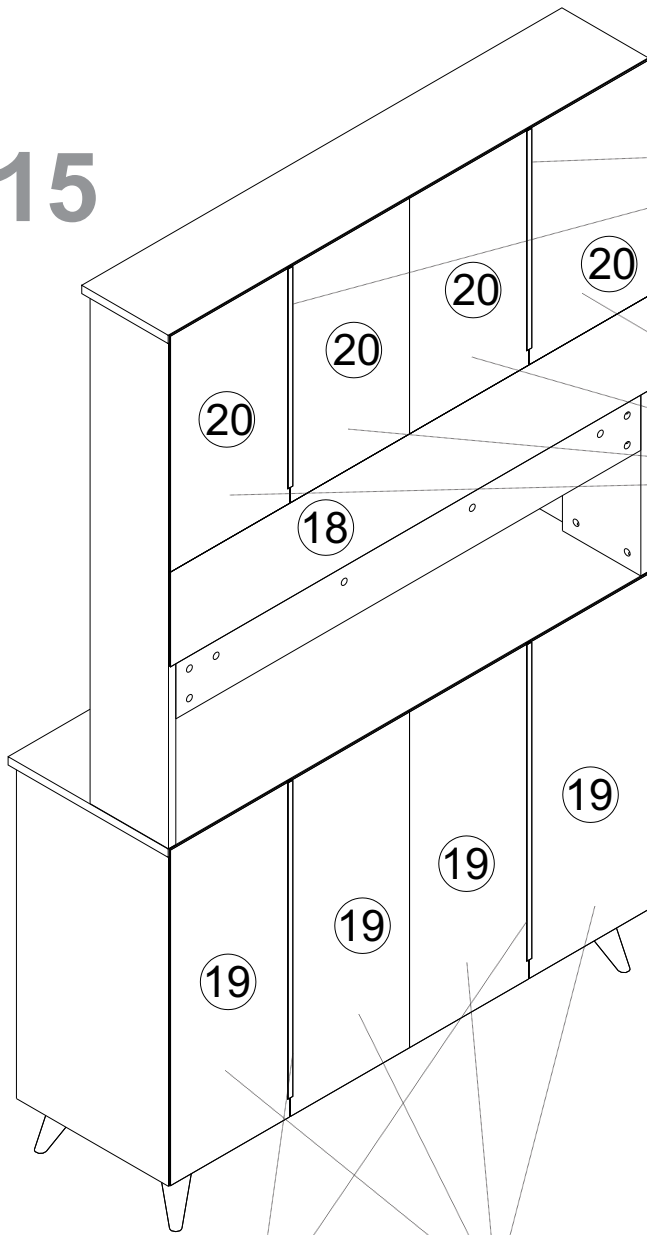
# 13



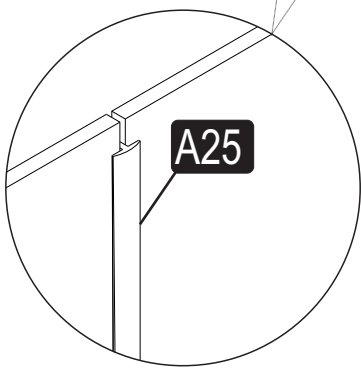
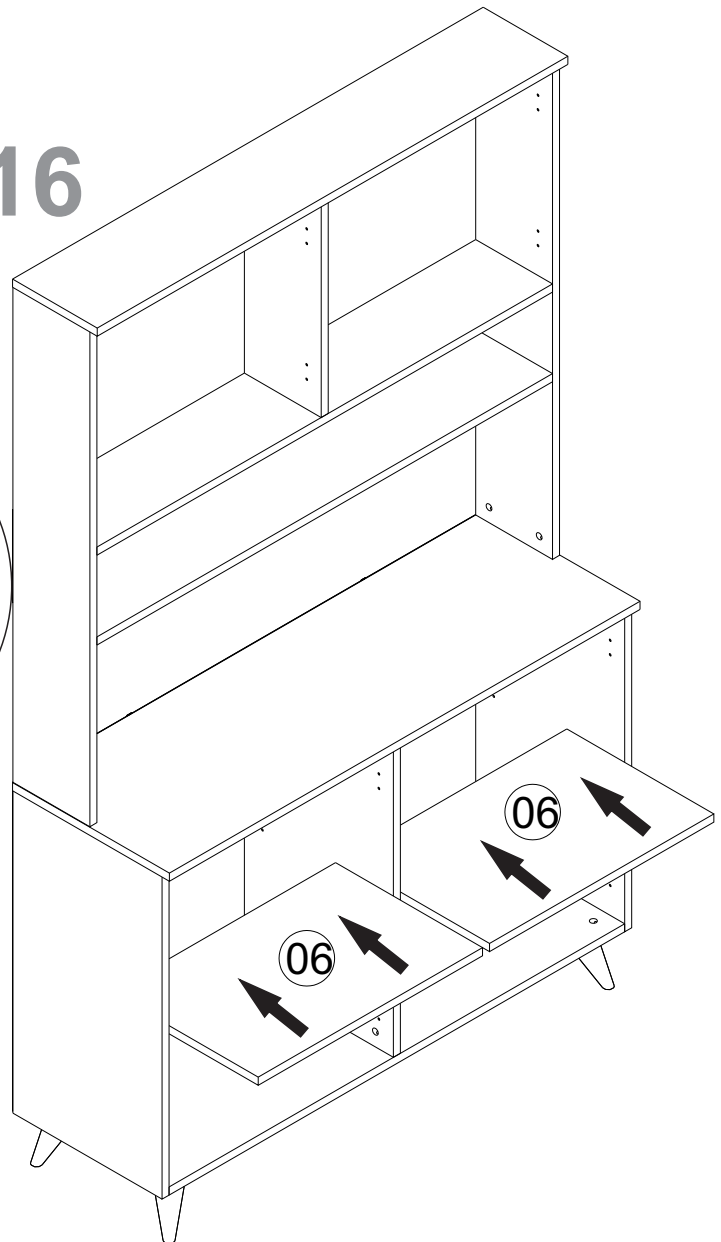
# 14



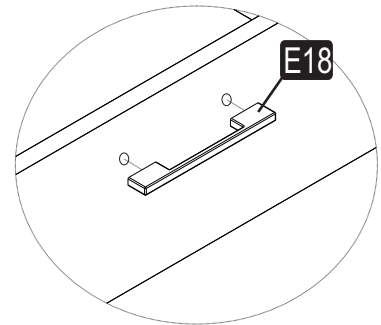
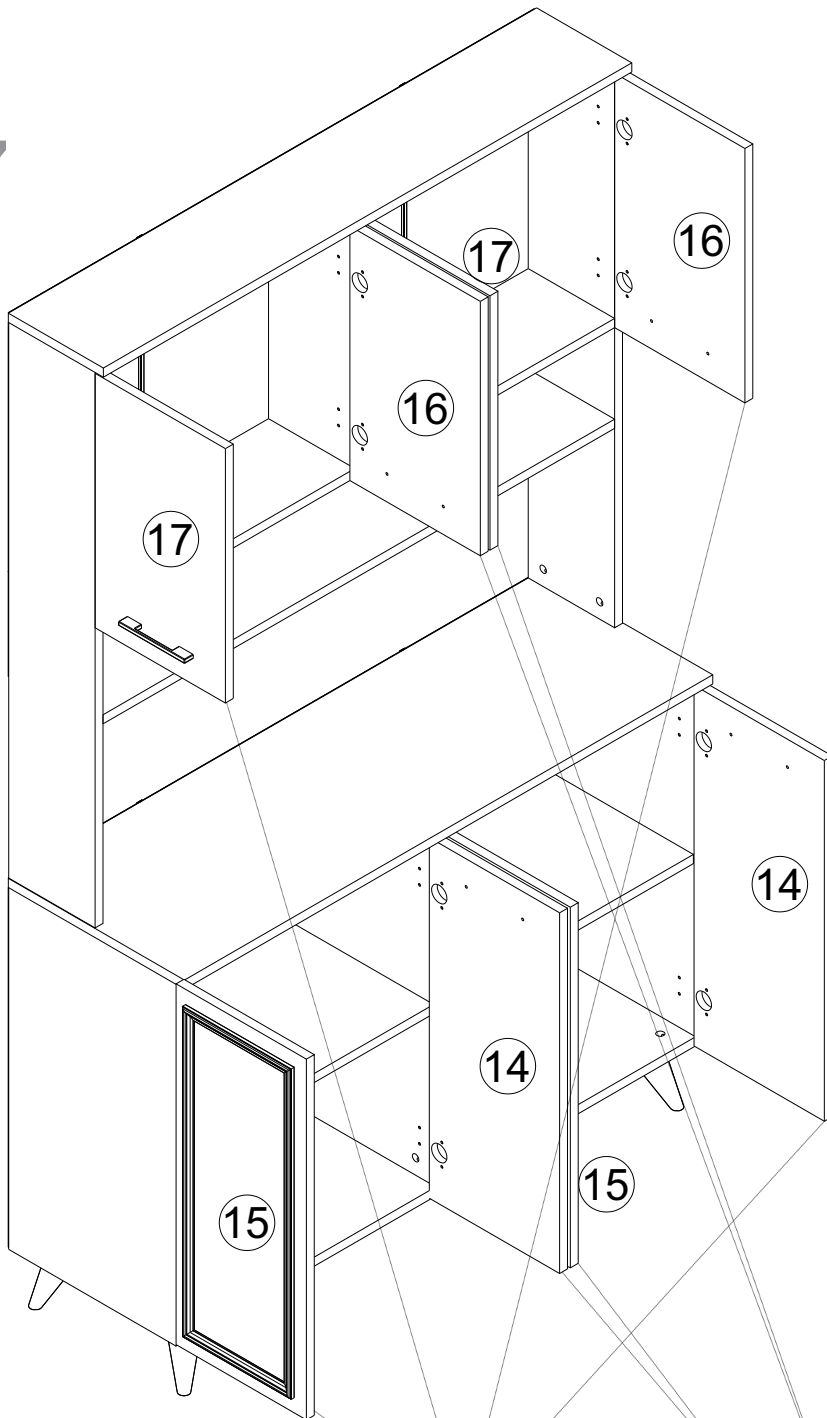
15



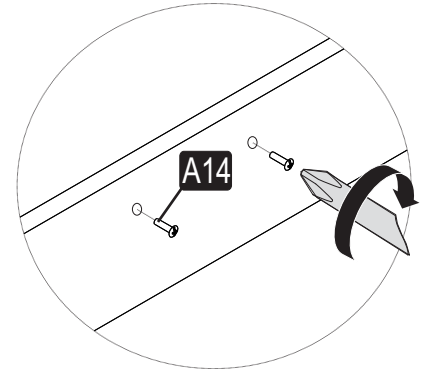
16



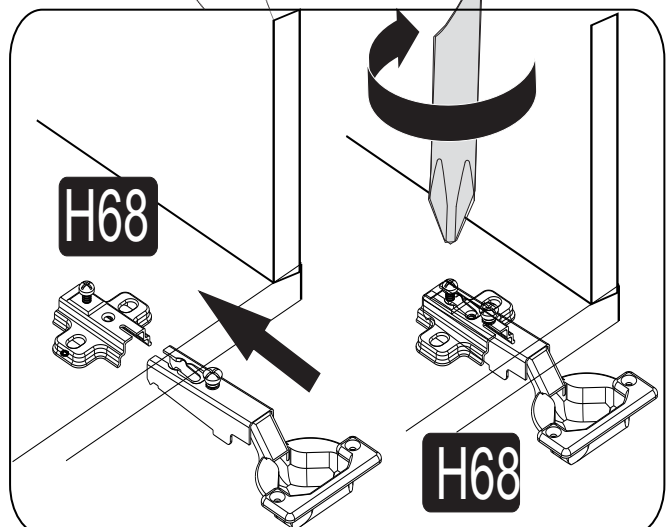
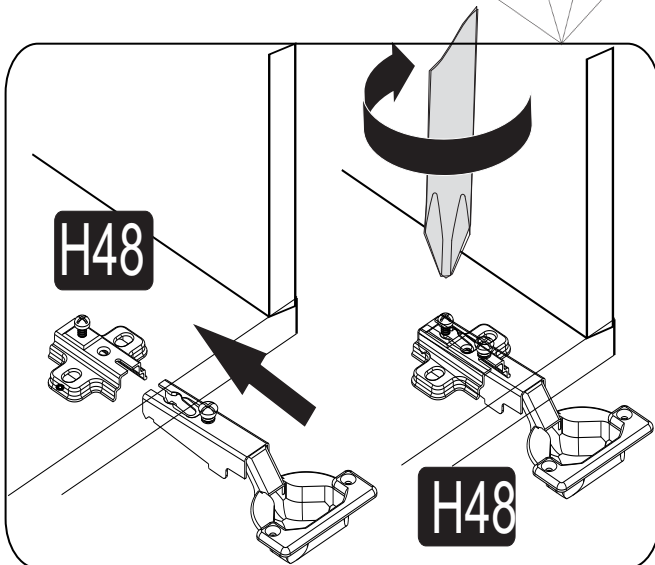
17



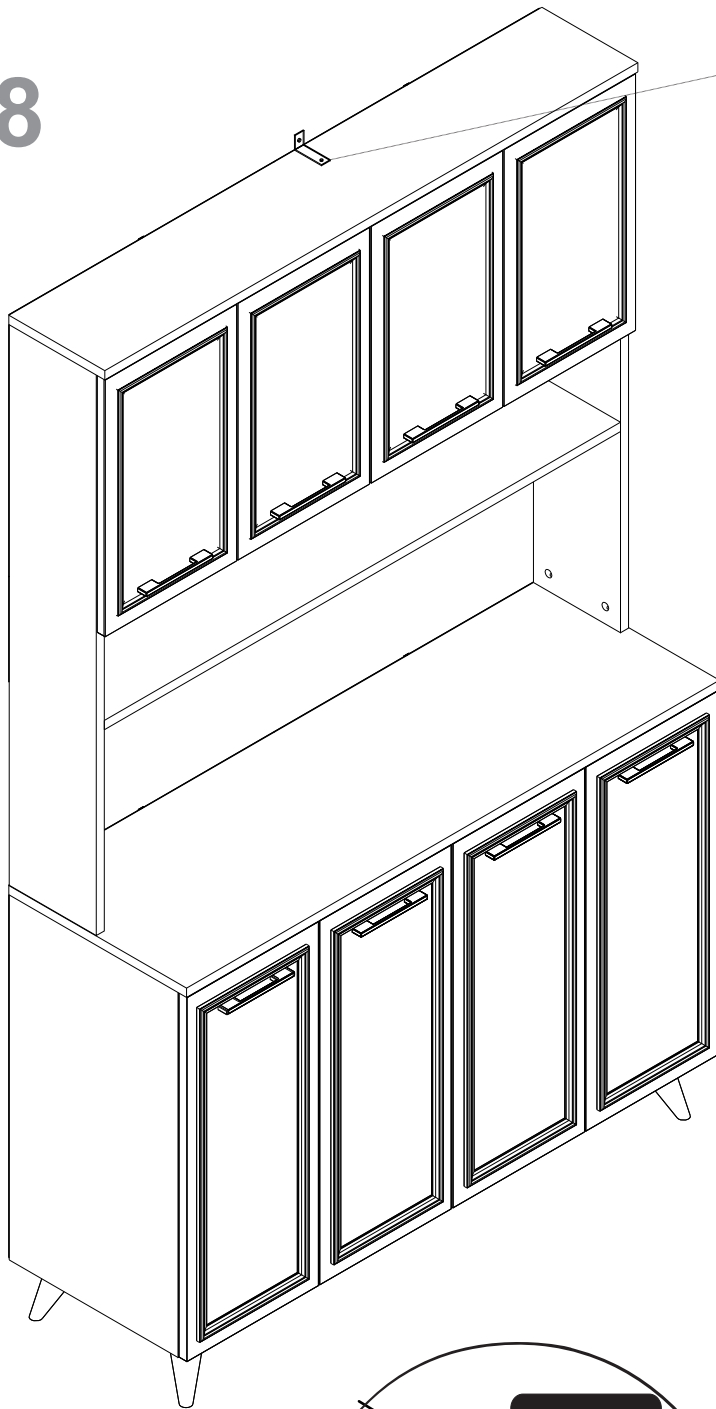
PART-1



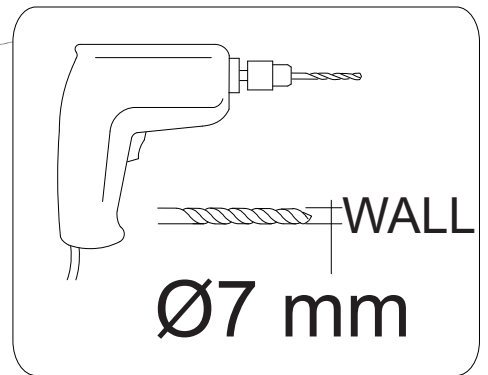
PART-2



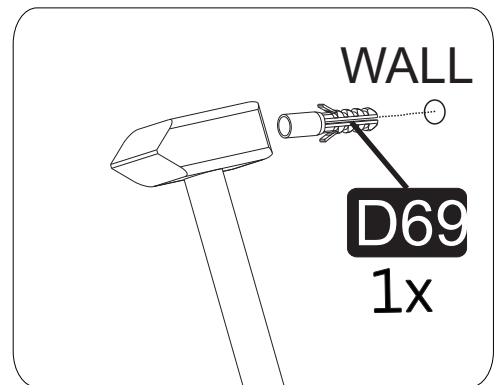
18



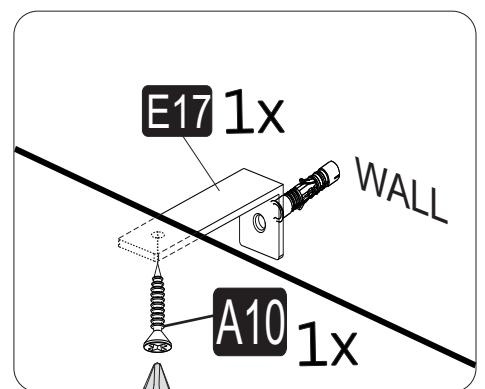
PART-1



PART-2



PART-3



PART-4

